



US00D957816S

(12) **United States Design Patent** (10) **Patent No.:** **US D957,816 S**
Pun (45) **Date of Patent:** **** Jul. 19, 2022**

(54) **INSTRUMENT CASE**

FOREIGN PATENT DOCUMENTS

(71) Applicant: **Quantum Industries Limited**, Hong Kong (CN)

CN 305294258 * 8/2019
CN 305942090 * 3/2020

(72) Inventor: **Ka Wai Pun**, Hong Kong (CN)

OTHER PUBLICATIONS

(73) Assignee: **QUANTUM INDUSTRIES LIMITED**, Hong Kong (CN)

bhphotovideo.com, Site visited Feb. 7, 2022, SKB 3i-Series Wheeled Waterproof Utility Case with Divider Set, Oldest review Jun. 6, 2018, https://www.bhphotovideo.com/c/product/1352689-REG/skb_3i_4213_12dt_iseries_3i_4213_12_case_with.html (Year: 2018).
bhphotovideo.com, Site visited Feb. 7, 2022, ProX 48" Wheeled Utility Flight Case, Oldest review Nov. 6, 2018, https://www.bhphotovideo.com/c/product/1309666-REG/prox_xs_utl7_long_utility_flight_case.html (Year: 2018).*

(**) Term: **15 Years**

(21) Appl. No.: **29/728,488**

(22) Filed: **Mar. 19, 2020**

(51) **LOC (13) Cl.** **03-01**

* cited by examiner

(52) **U.S. Cl.**
USPC **D3/279**

Primary Examiner — Brett Miller
Assistant Examiner — Jessica M Gebhart

(58) **Field of Classification Search**
USPC D3/272, 273, 274, 275, 276, 277, 278, D3/279, 280, 281, 282, 283, 284, 285, 38, D3/74, 201, 204, 221, 254, 260, 286, 294, D3/295, 299, 904, 905, 290, 901, 902, D3/903; D6/336, 440, 663, 667, 552, D6/559, 432, 447; D28/9; D7/701, 702, D7/703; D9/420; D34/5, 19, 20, 21, D34/197; D18/59
CPC A47C 1/146; B65D 51/04; B62B 1/12; A45C 13/03
See application file for complete search history.

(57) **CLAIM**

The ornamental design for an instrument case, as shown and described.

DESCRIPTION

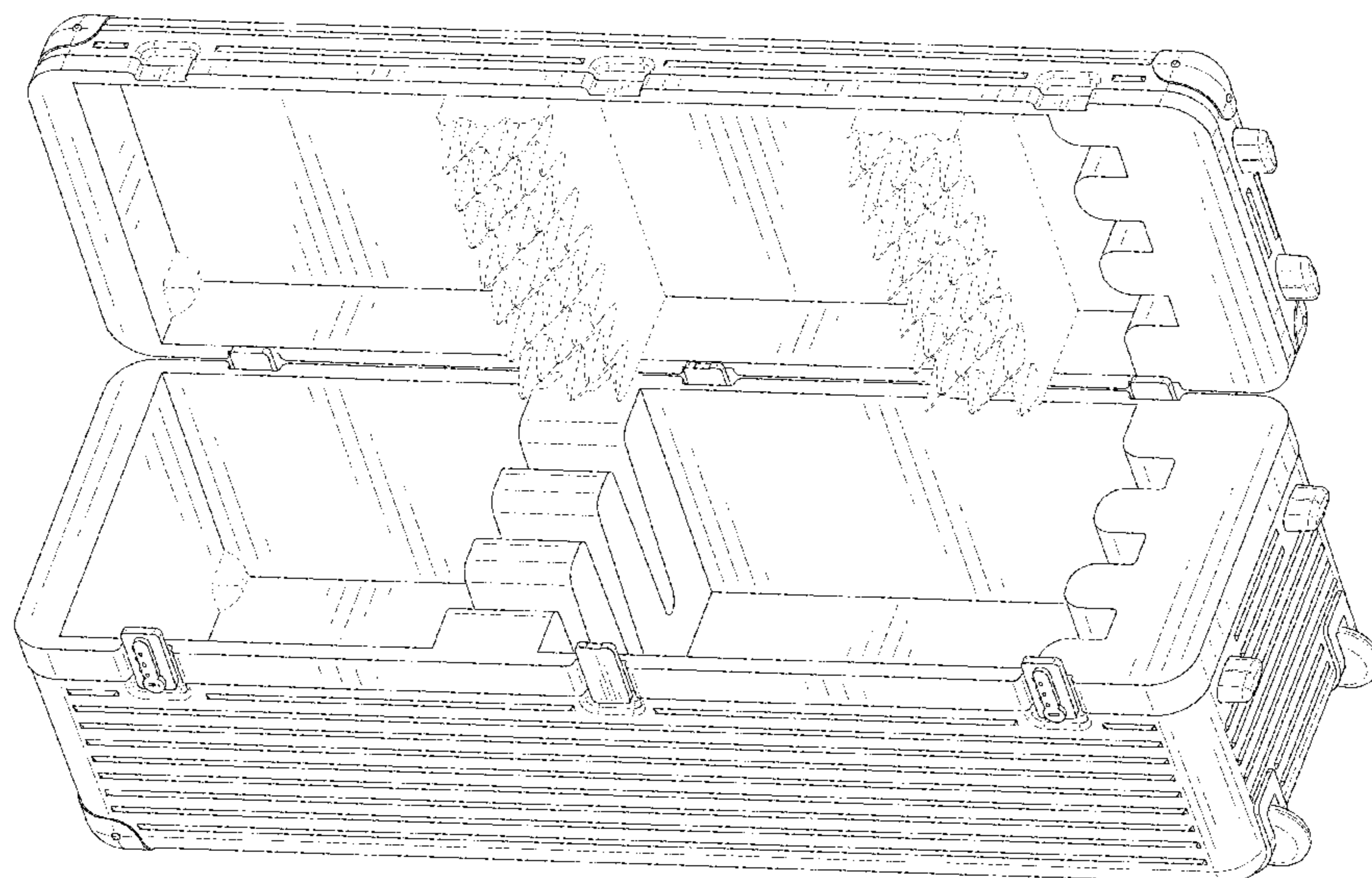
FIG. 1 is a perspective view of an instrument case showing my new design;
FIG. 2 is another perspective view thereof;
FIG. 3 is a front elevational view thereof;
FIG. 4 is a rear elevational view thereof;
FIG. 5 is a left side elevational view thereof;
FIG. 6 is a right side elevational view thereof;
FIG. 7 is a top plan view thereof;
FIG. 8 is a bottom plan view thereof;
FIG. 9 is a perspective view of the instrument case where the instrument case is in a closed state; and,
FIG. 10 is an enlarged view of portion 10 shown in FIG. 7.
The broken lines in the drawings depict boundaries of the instrument case that form no part of the claimed design.

(56) **References Cited**

U.S. PATENT DOCUMENTS

2,439,660 A * 4/1948 Keil A45C 5/146 280/37
D247,993 S * 5/1978 Calzone, III D3/204
D351,502 S * 10/1994 Weir D3/273
D449,163 S * 10/2001 Dahlen D3/279
D457,724 S * 5/2002 Och D3/273
D574,150 S * 8/2008 Ross D3/294
D607,207 S * 1/2010 Horiyama D3/905
D920,668 S * 6/2021 Bonnough D3/279

1 Claim, 10 Drawing Sheets



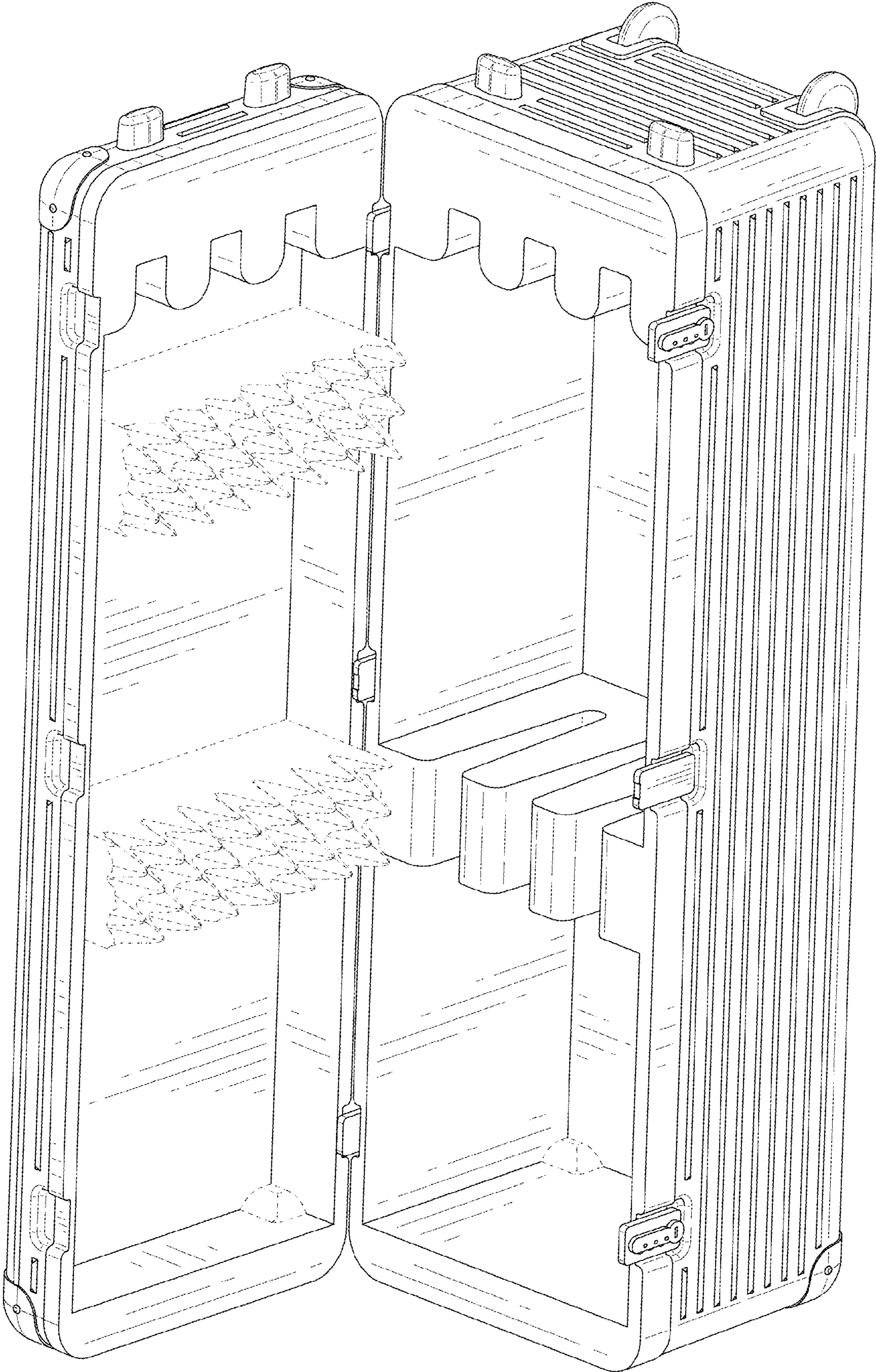


FIG. 1

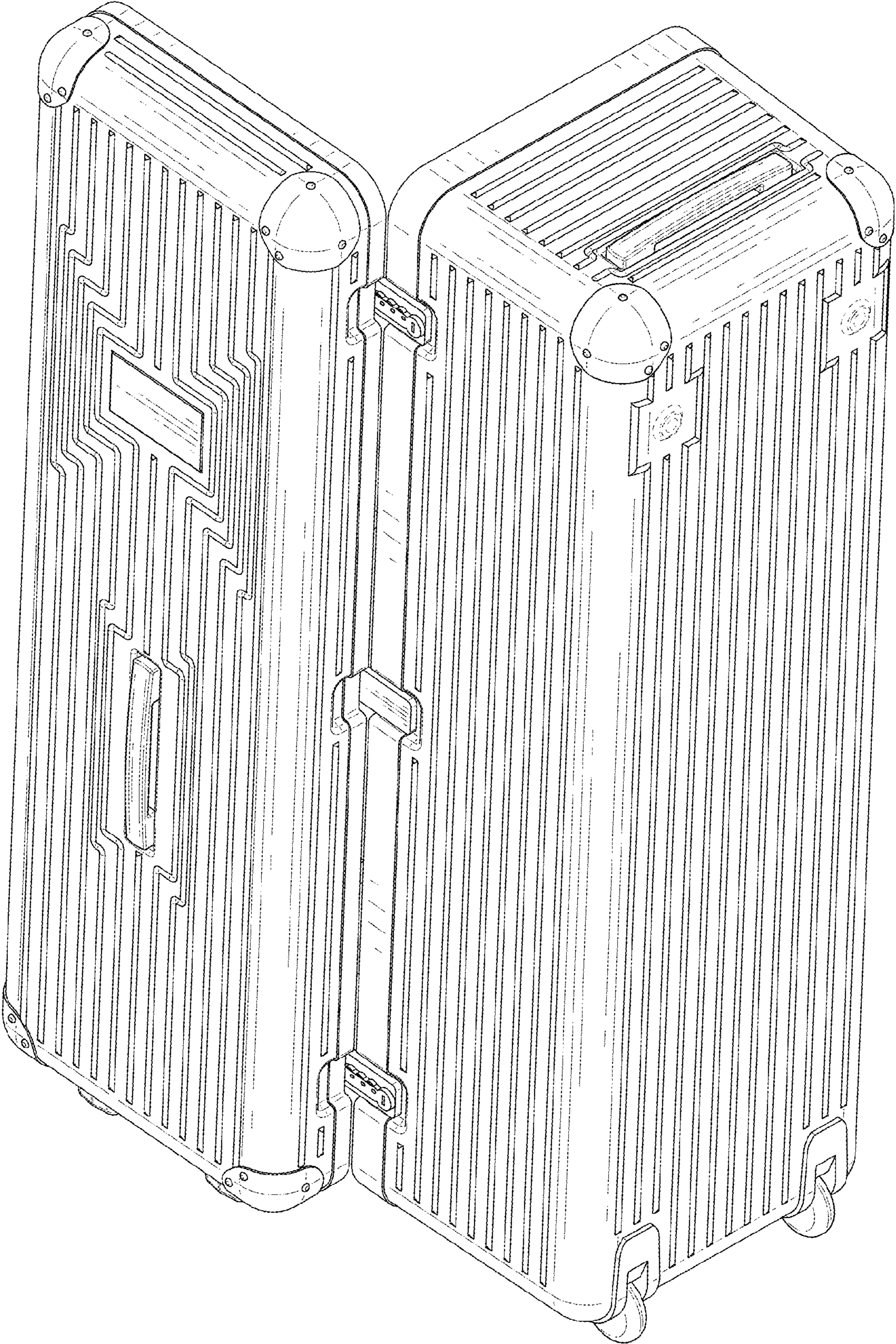


FIG. 2

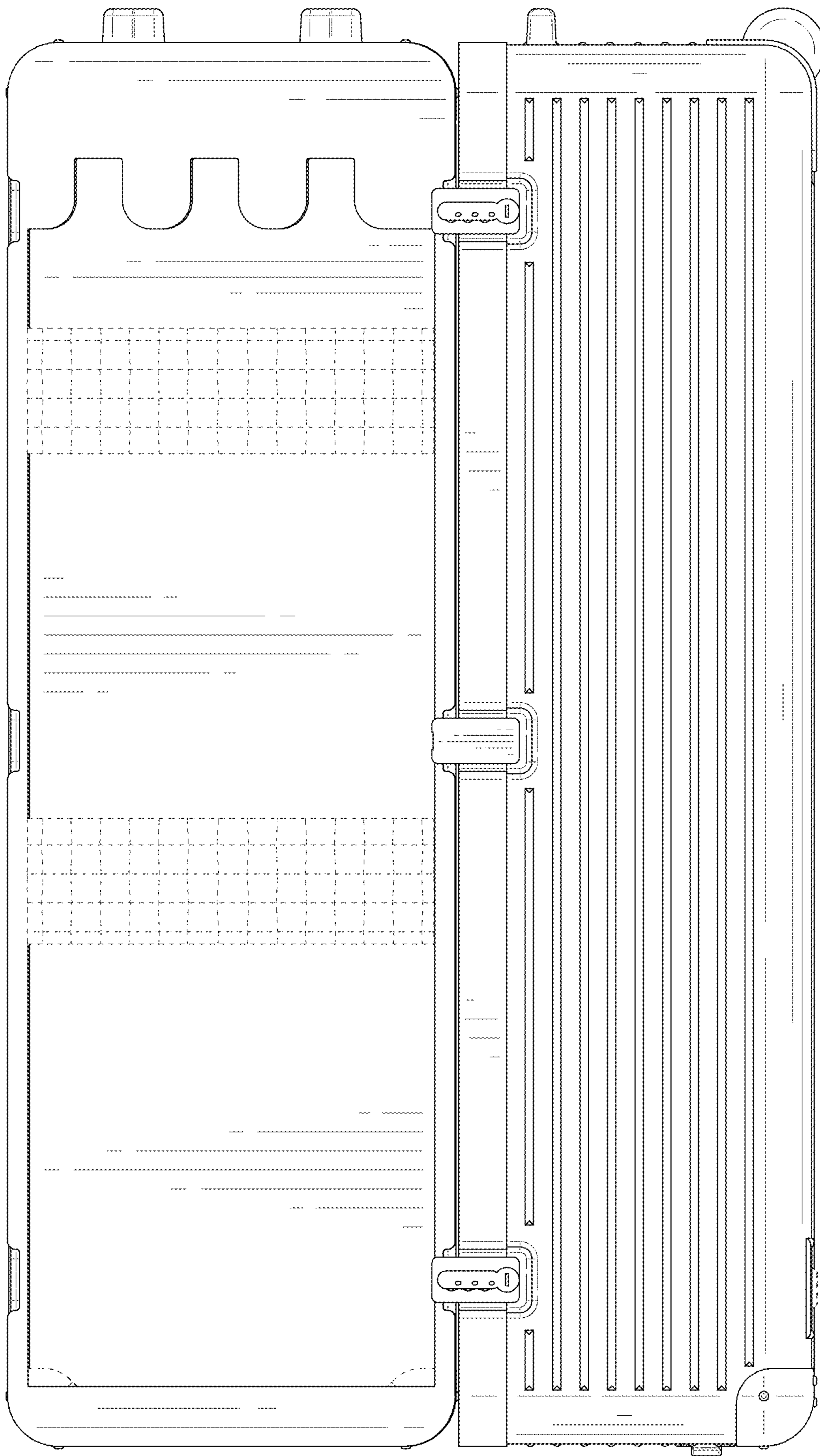


FIG. 3

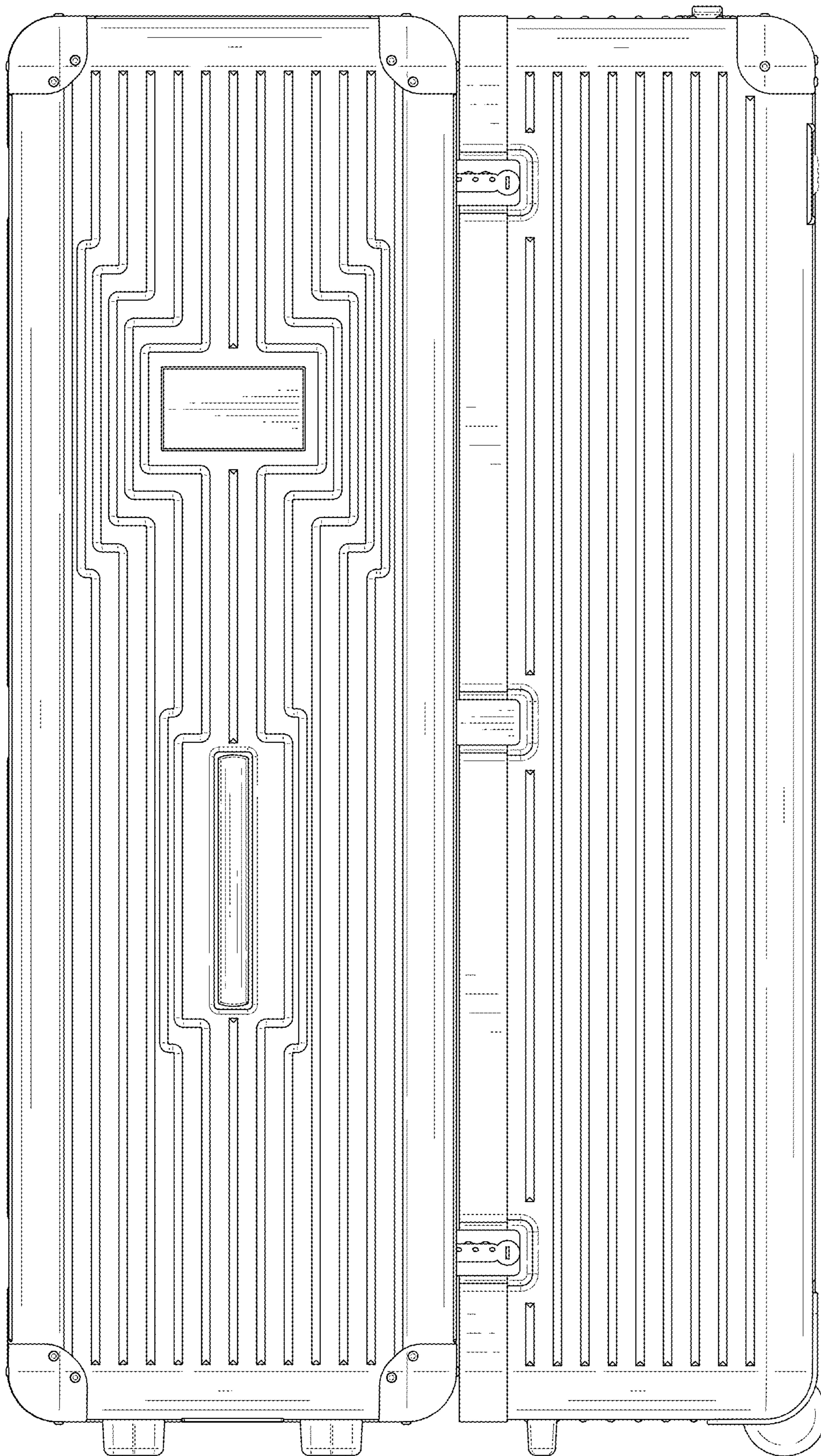


FIG. 4

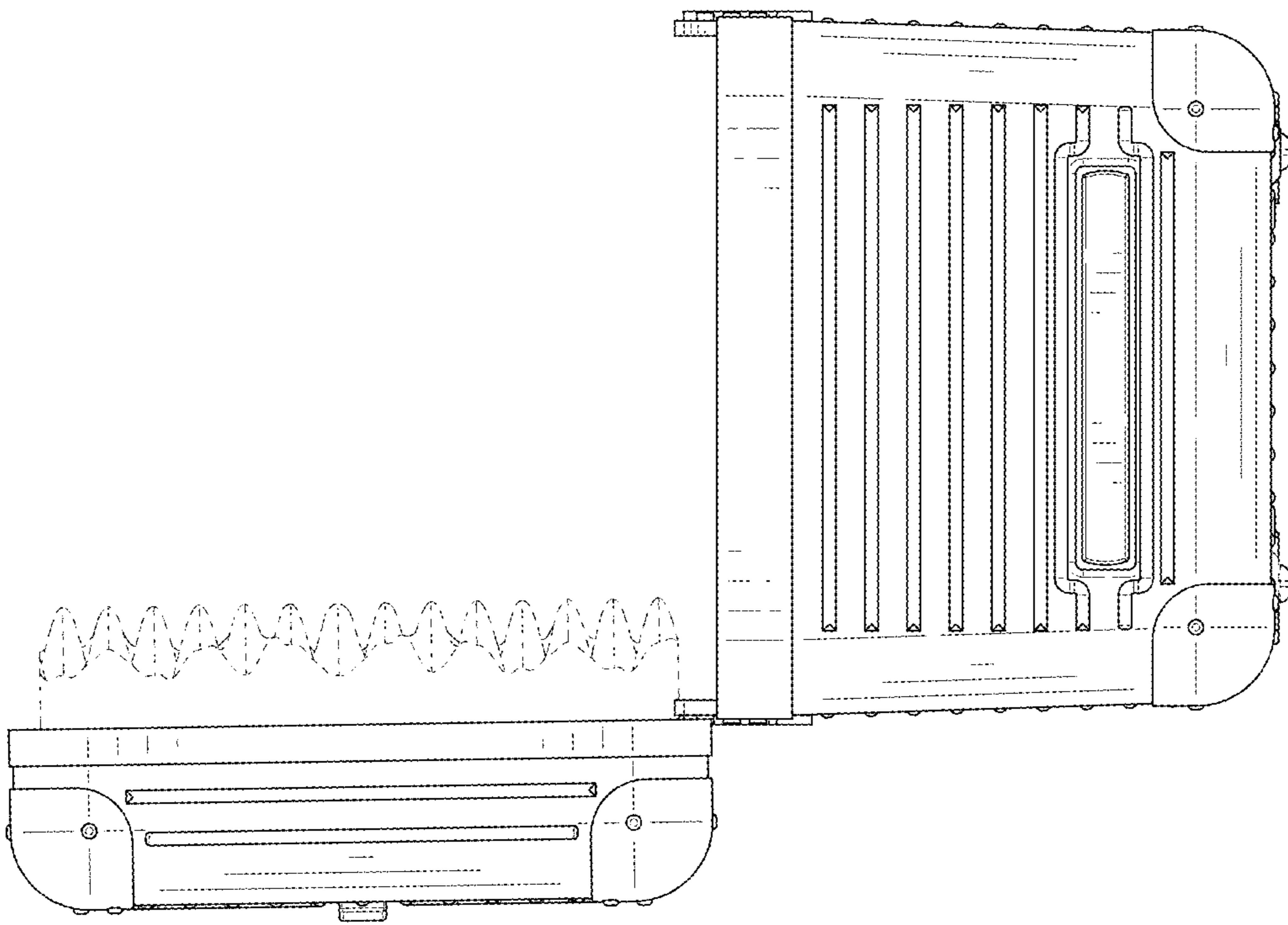


FIG. 5

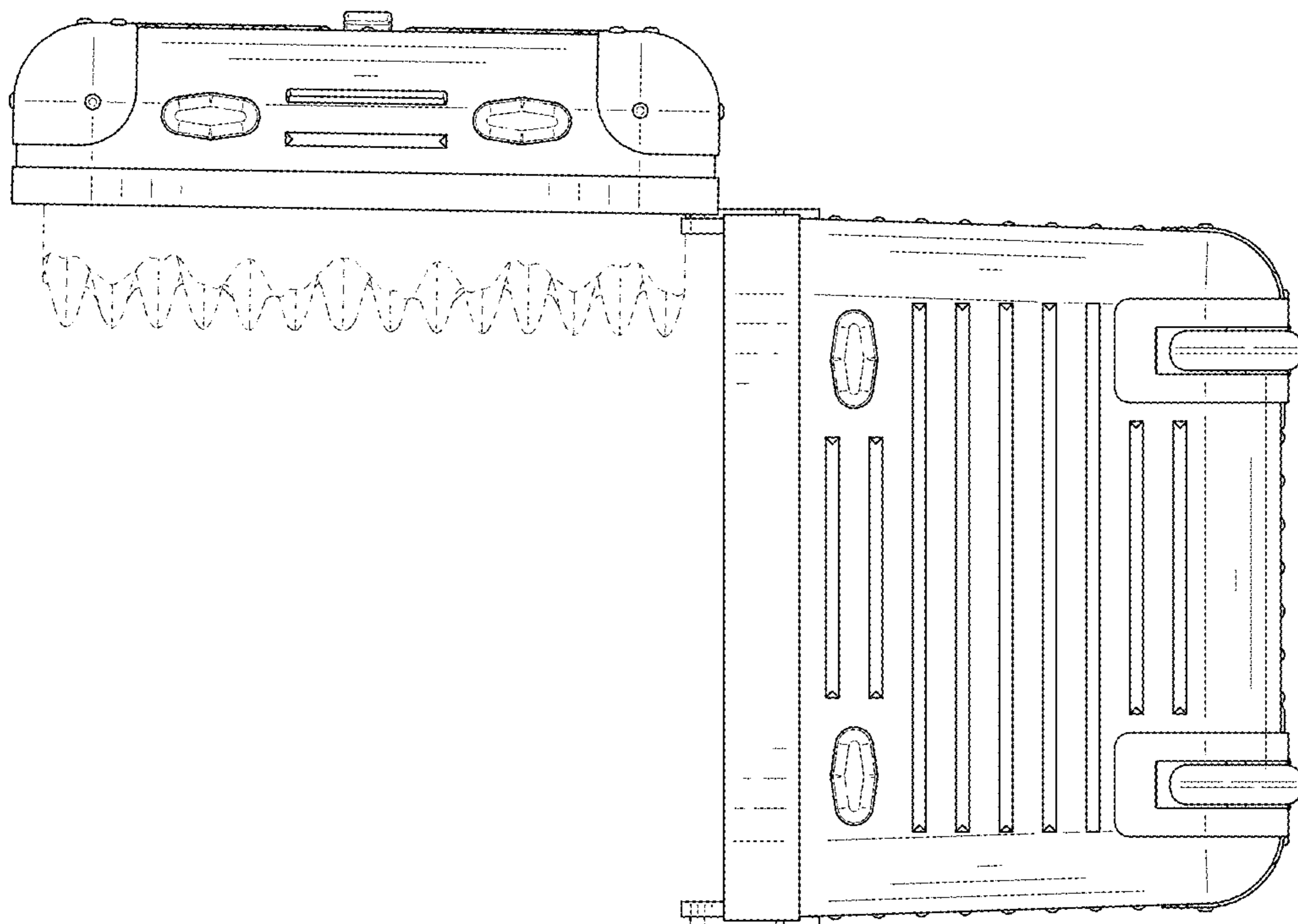


FIG. 6

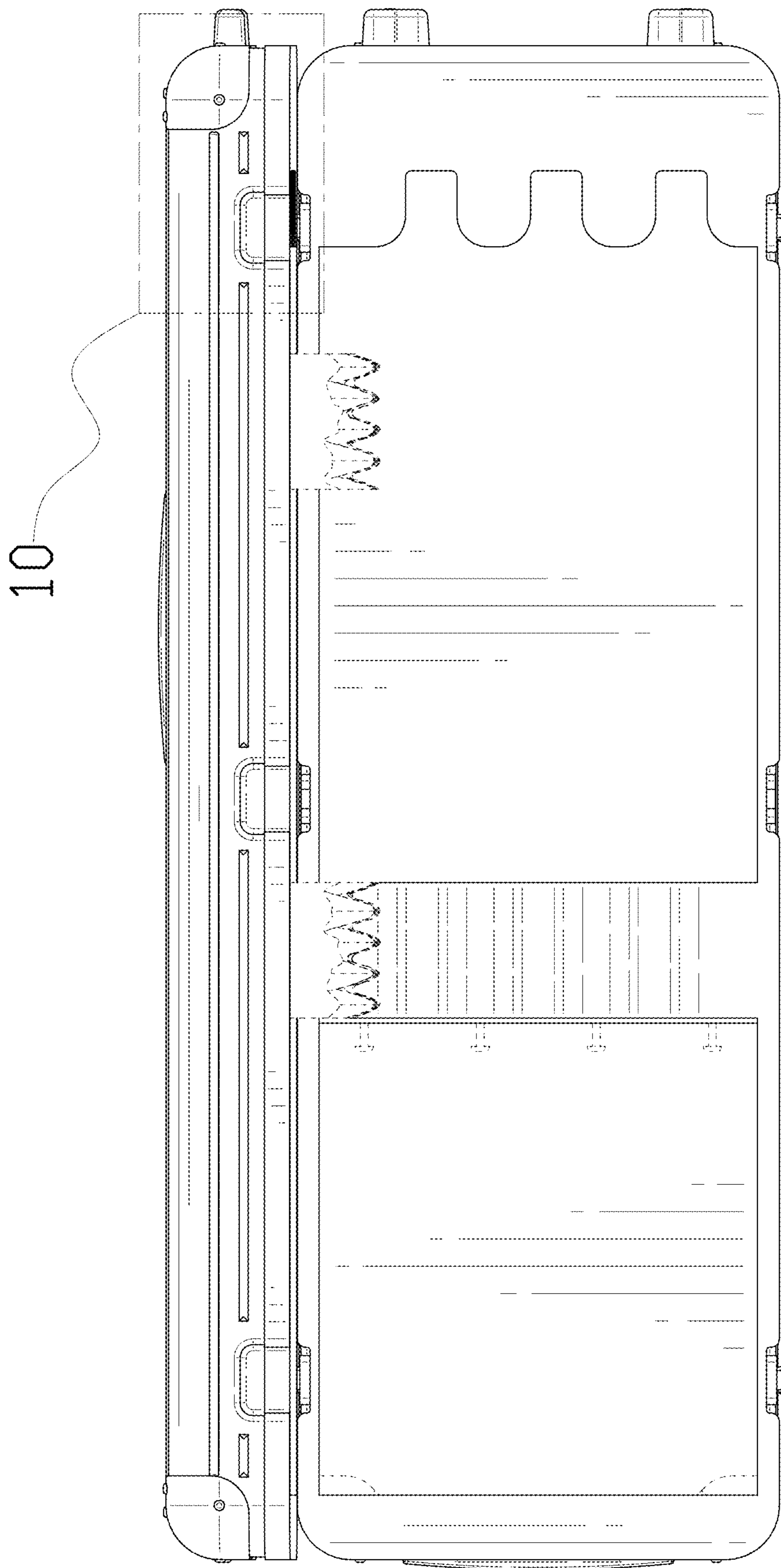


FIG. 7

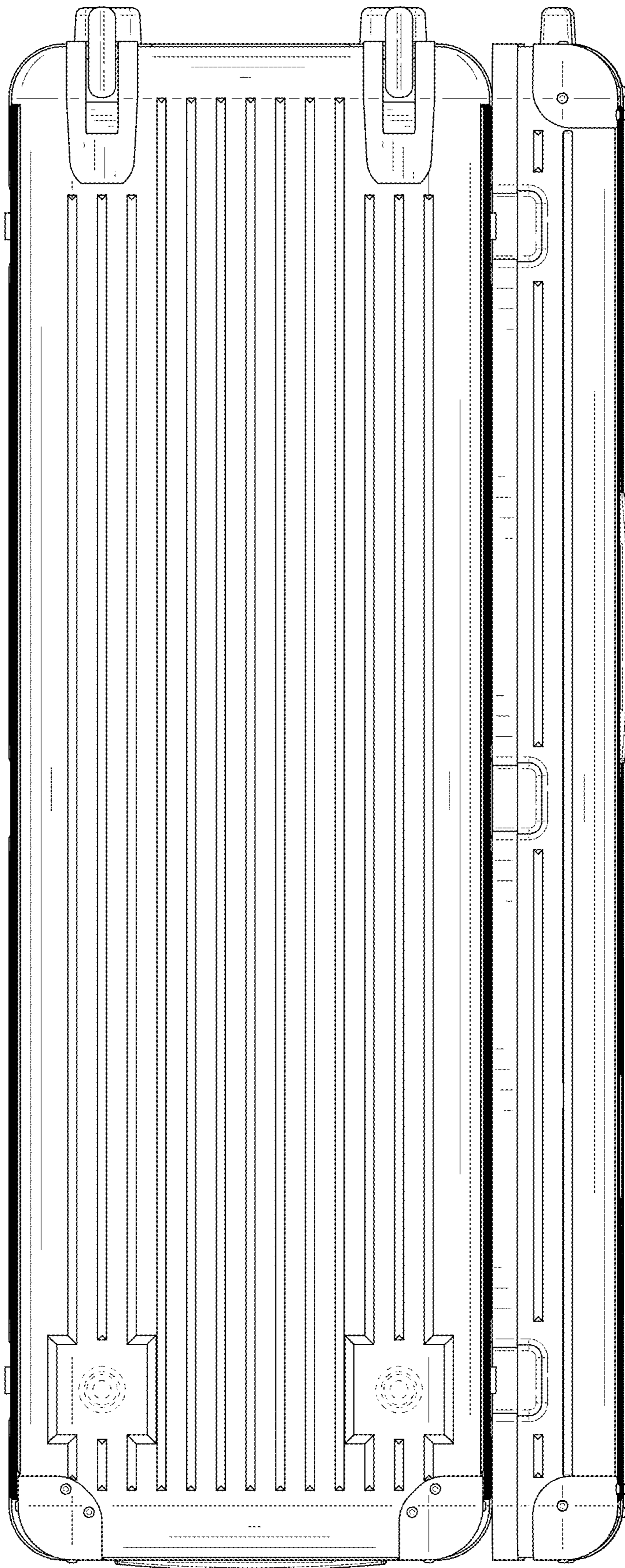


FIG. 8

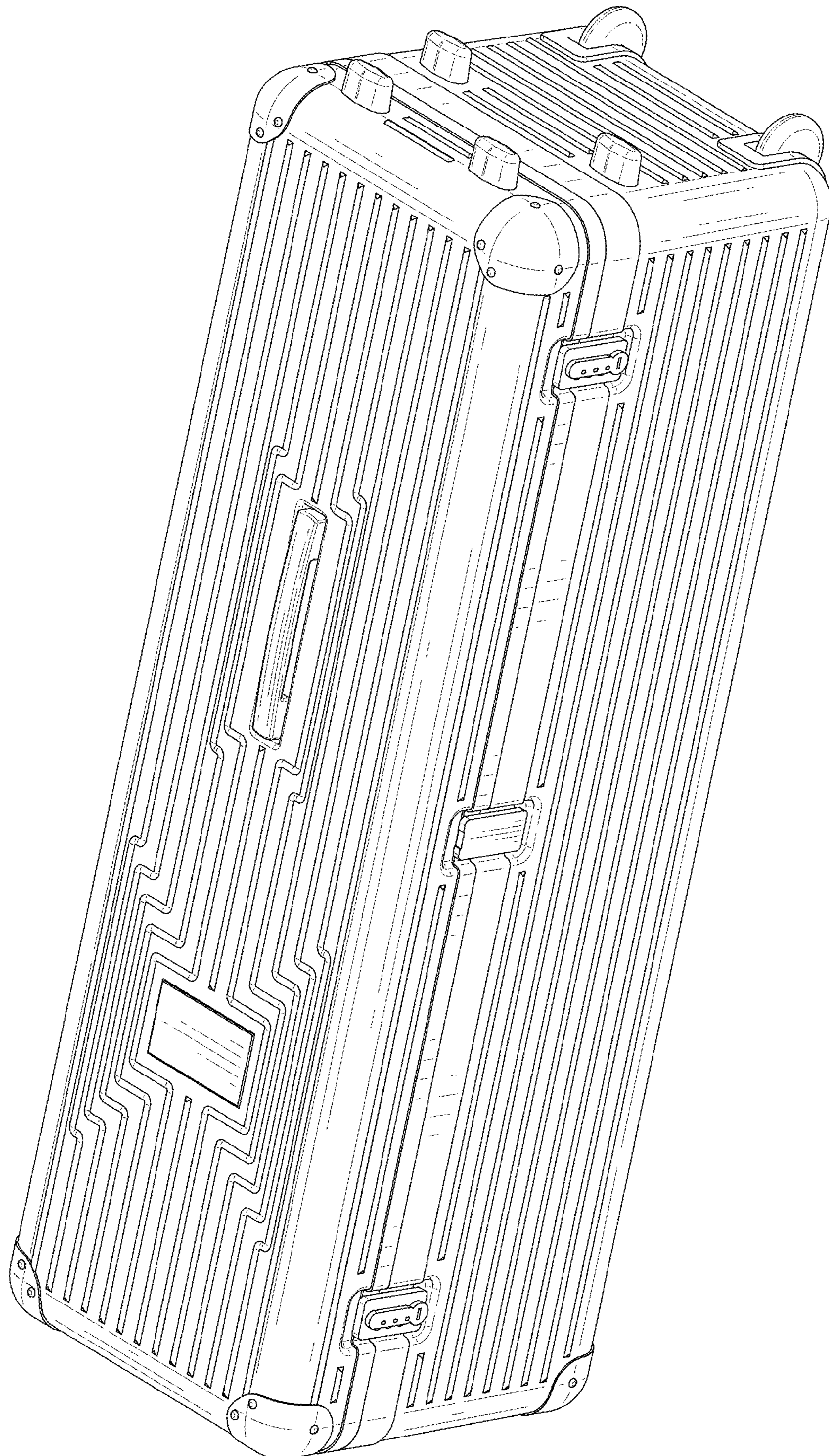


FIG. 9

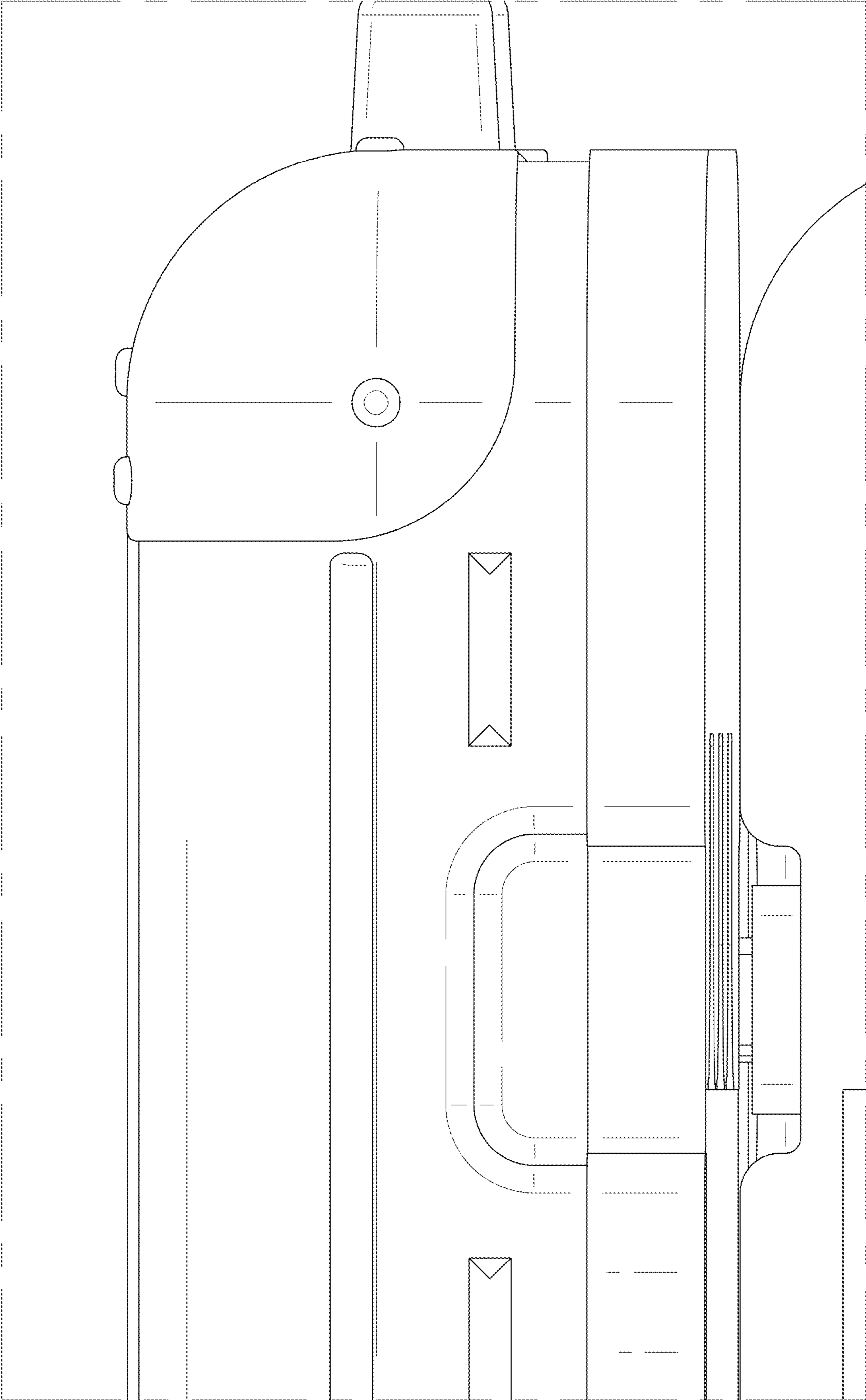


FIG. 10