



US00D957807S

(12) **United States Design Patent** (10) **Patent No.:** **US D957,807 S**
Martin (45) **Date of Patent:** **** Jul. 19, 2022**

(54) **HOLDER FOR PERSONAL CARE ITEMS**
(71) Applicant: **Bath & Body Works Brand Management, Inc.**, Reynoldsburg, OH (US)

D323,243 S 1/1992 Kraus
D387,553 S 12/1997 Fritsche
D390,158 S * 2/1998 Bloomquist D11/160
D399,052 S 10/1998 Fritsche
D408,131 S 4/1999 Fritsche
(Continued)

(72) Inventor: **Lyndsi Martin**, Newark, OH (US)
(73) Assignee: **Bath & Body Works Brand Management, Inc.**, Reynoldsburg, OH (US)

FOREIGN PATENT DOCUMENTS

CN 209252611 U 8/2019

(**) Term: **15 Years**
(21) Appl. No.: **29/816,002**
(22) Filed: **Nov. 18, 2021**

OTHER PUBLICATIONS

Bow Wow Pet Wear Scrubs Hand Sanitizer Holder Key Chain, announced Feb. 12, 2018 [online], [site visited Sep. 14, 2021]. Available from internet, URL: <<https://www.amazon.com/Scrubs-Hand-Sanitizer-Holder-chain/dp/B086M7DYQR>> (Year: 2018).

Related U.S. Application Data

(62) Division of application No. 29/733,495, filed on May 4, 2020, now Pat. No. Des. 943,271.

Primary Examiner — Kevin K Rudzinski
Assistant Examiner — Amber J Rabie
(74) *Attorney, Agent, or Firm* — Andrus Intellectual Property Law, LLP

Foreign Application Priority Data

Nov. 20, 2019 (GB) 6076937
Nov. 20, 2019 (GB) 6076938

(57) **CLAIM**

The ornamental design for a holder for personal care items, as shown and described.

(51) **LOC (13) Cl.** **03-01**
(52) **U.S. Cl.**
USPC **D3/211**

DESCRIPTION

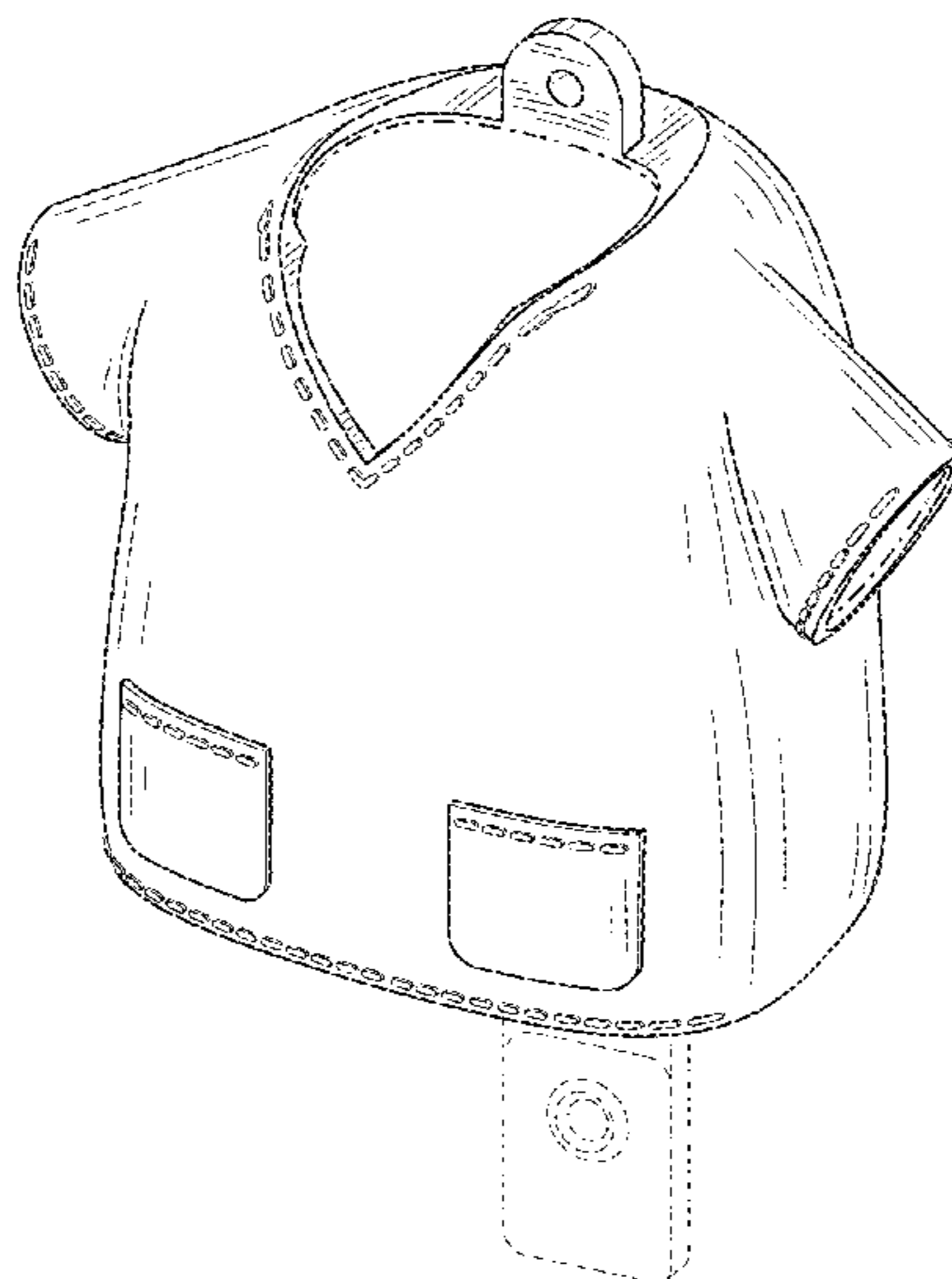
(58) **Field of Classification Search**
USPC D3/207, 208, 209, 210, 211, 212, 263, D3/271.6, 273, 294, 295, 299, 302, 303, D3/901, 903, 905
CPC A61L 2/10; A61C 17/224; A01K 97/06; A61J 1/03; A45C 13/02; A45C 11/24; A45C 11/38; A45C 2011/001
See application file for complete search history.

FIG. 1 is a front perspective view of a holder for personal care items according to my new and ornamental design; FIG. 2 is a front elevation view thereof; FIG. 3 is a rear elevation view thereof; FIG. 4 is a right side elevation view thereof; FIG. 5 is a left side elevation view thereof; FIG. 6 is a top plan view thereof; and, FIG. 7 is a bottom plan view thereof. The dash-dot broken lines show the boundaries of the claimed design and form no part of the claim. The evenly dashed broken lines show portions of the holder for personal care items that form no part of the claim.

(56) **References Cited**
U.S. PATENT DOCUMENTS

D306,938 S 4/1990 Overton
D321,786 S 11/1991 Kraus

1 Claim, 6 Drawing Sheets



(56)

References Cited

U.S. PATENT DOCUMENTS

D408,132 S	4/1999	Fritsche	
D487,660 S *	3/2004	Sayers	D6/513
D509,343 S	9/2005	Bragg	
D514,214 S *	1/2006	Green	D23/366
D525,521 S *	7/2006	Bruns	D9/414
D601,781 S	10/2009	Rhodes	
D617,649 S *	6/2010	Puglisi	D9/687
D627,092 S *	11/2010	Puglisi	D26/38
D632,460 S	2/2011	Kinder	
D646,467 S *	10/2011	Campbell	D2/840
D647,570 S *	10/2011	Kahn	D20/23
D663,103 S	7/2012	Mims	
D709,268 S *	7/2014	Kidman	D2/840
D726,063 S	4/2015	Thompson	
D727,595 S *	4/2015	Lawson	D2/743
D779,946 S	2/2017	Tulencik et al.	
D831,487 S *	10/2018	Schlatter	D9/455

* cited by examiner

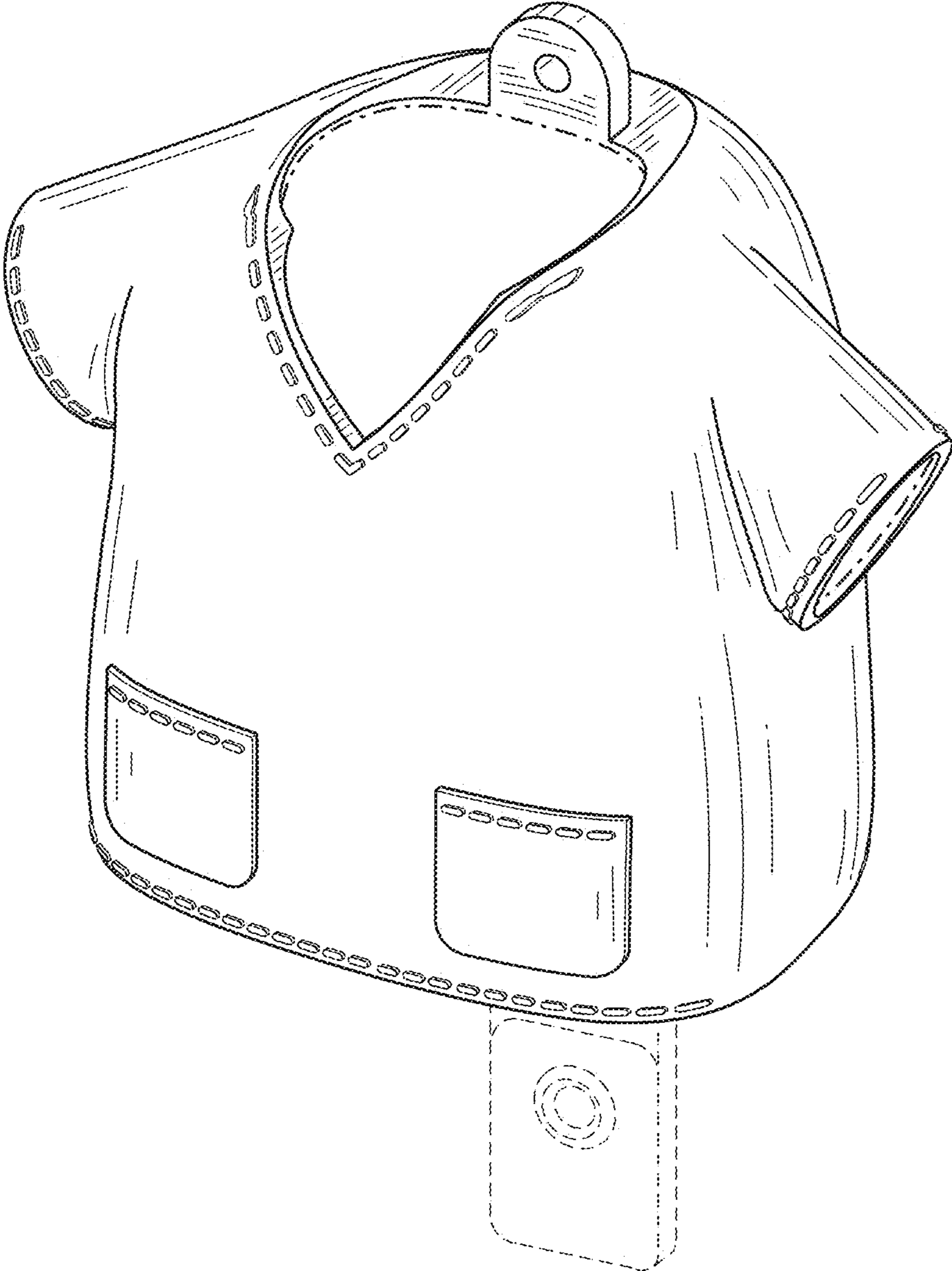


FIG. 1

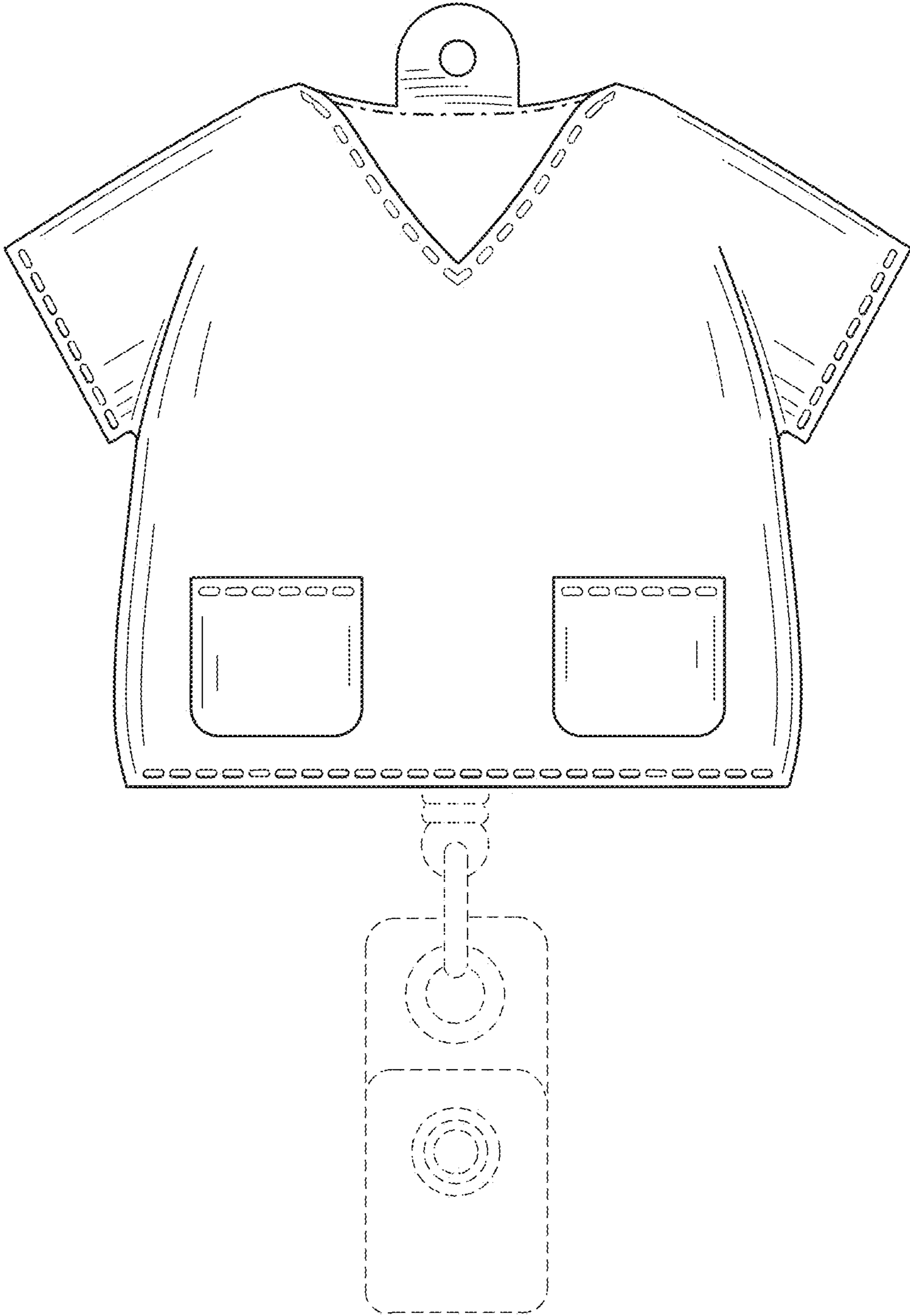


FIG. 2

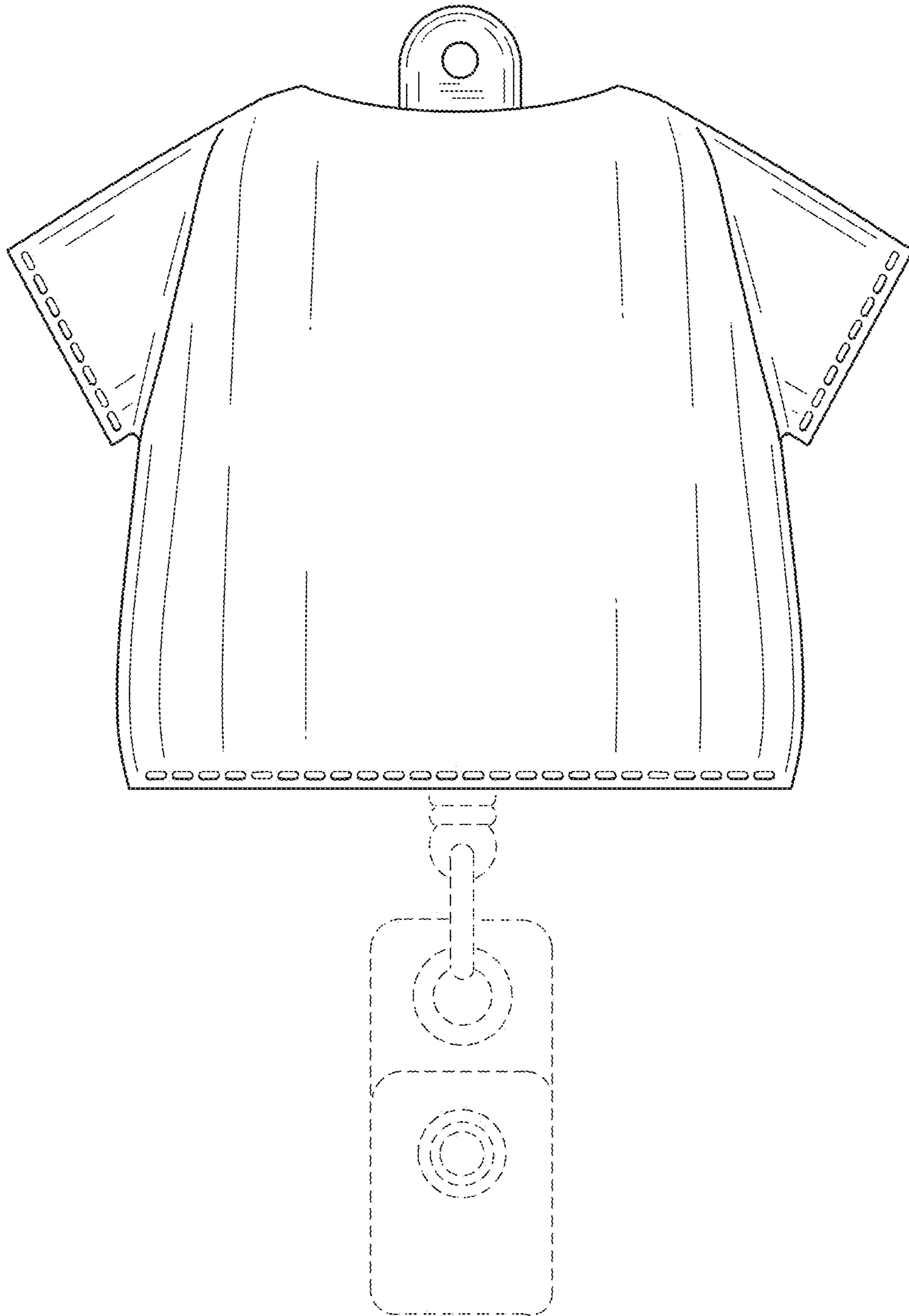


FIG. 3

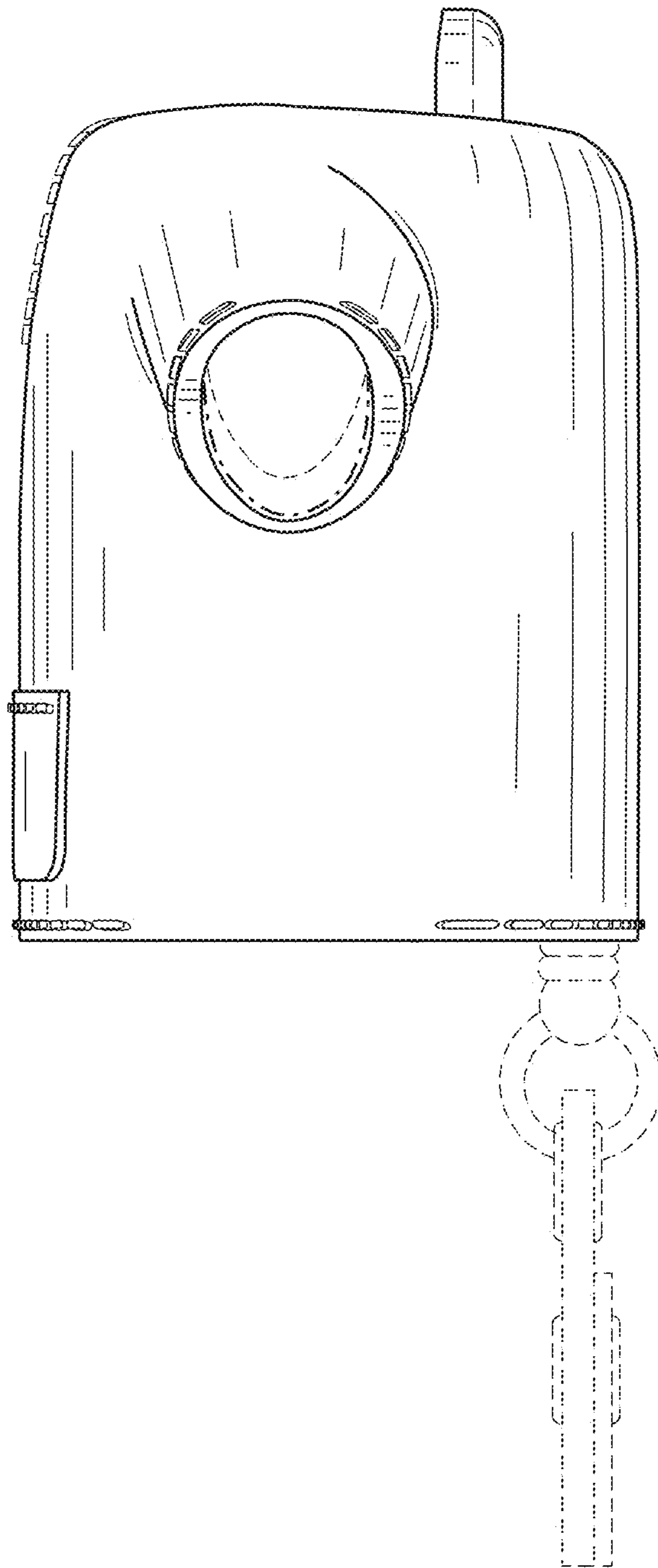


FIG. 4

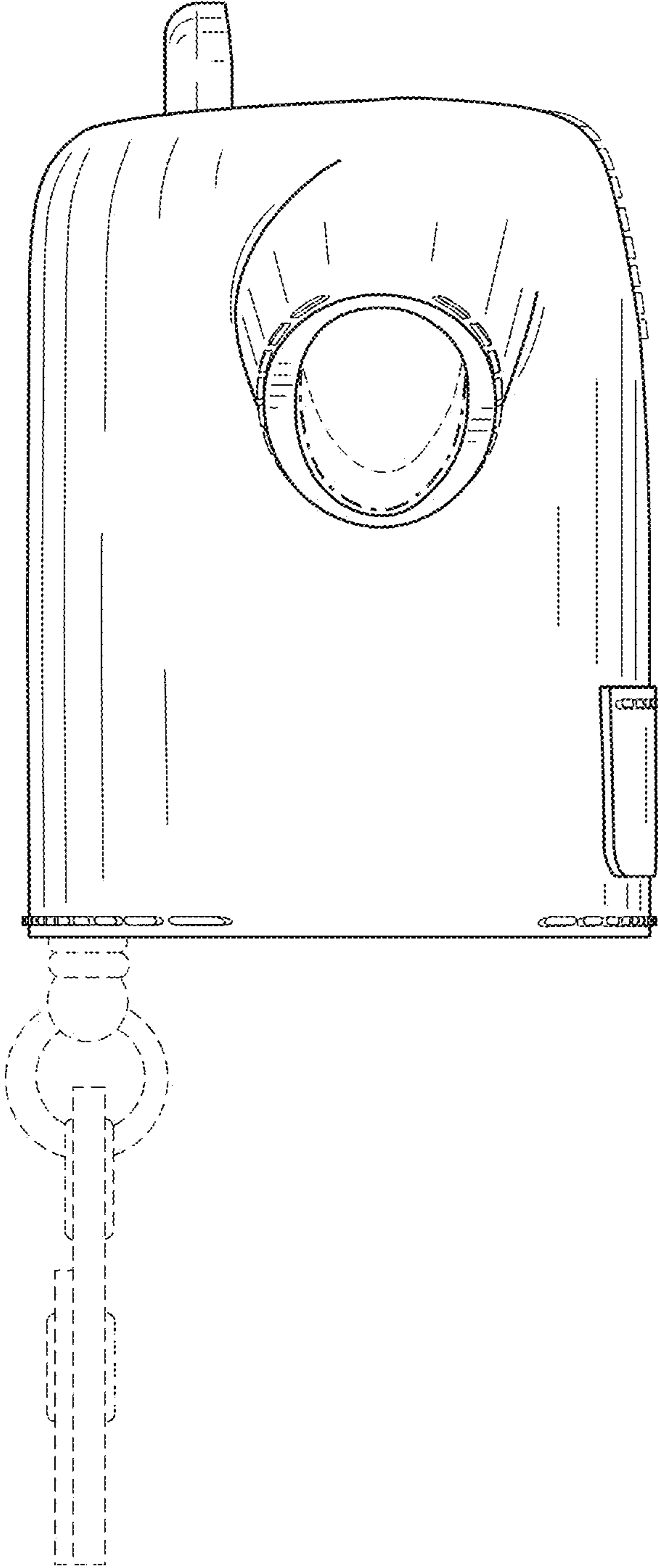


FIG. 5

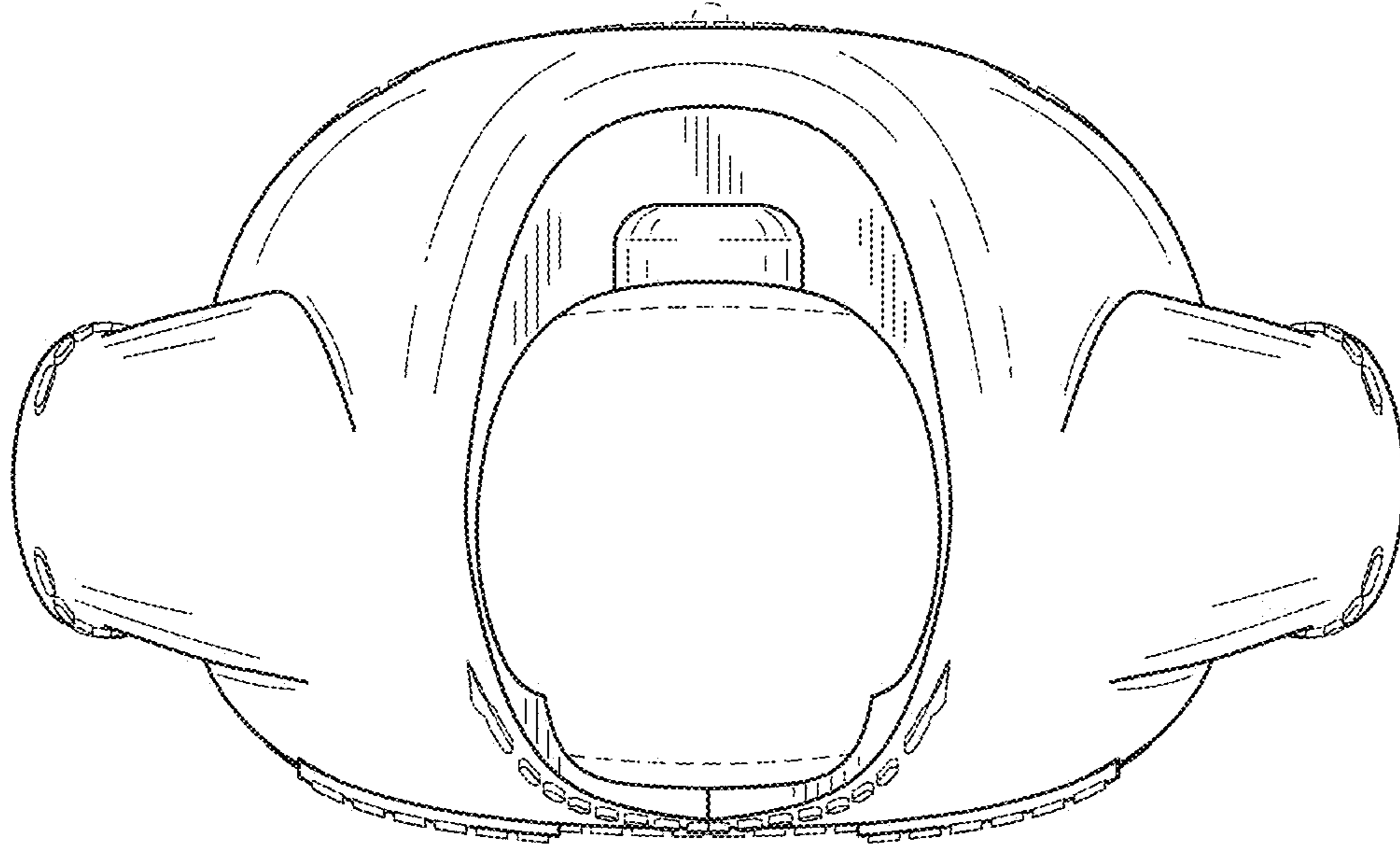


FIG. 6

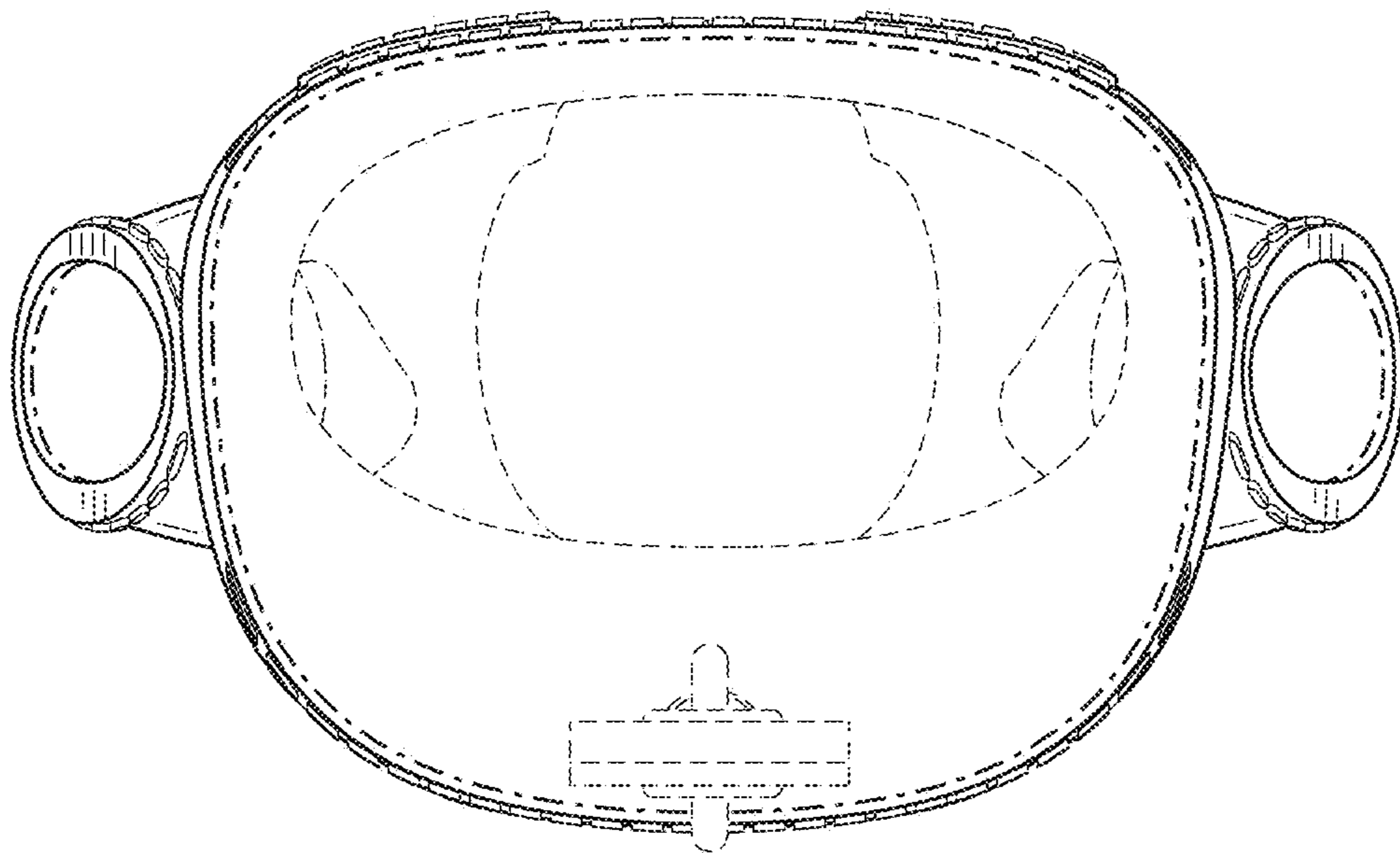


FIG. 7