



US00D957806S

(12) **United States Design Patent**
Matthews

(10) **Patent No.:** **US D957,806 S**
(45) **Date of Patent:** **** Jul. 19, 2022**

(54) **PORTABLE CANE HOLDER**

FOREIGN PATENT DOCUMENTS

(71) Applicant: **Richard Lee Matthews**, Freeport, PA
(US)

GB 4015576 * 6/2010

(72) Inventor: **Richard Lee Matthews**, Freeport, PA
(US)

OTHER PUBLICATIONS

(**) Term: **15 Years**

Amazon.com, Site visited May 17, 2022, TrippNT Oxygen Tank Holder, First available Apr. 8, 2016, <https://www.amazon.com/TrippNT-51641-Density-Polyethylene-Healthcare/dp/B01DZYITK0> (Year: 2016).*

(21) Appl. No.: **29/765,186**

Amazon.com, Site visited May 17, 2022, BodyHealt Adjustable Cane Holder, First available Jun. 25, 2018, <https://www.amazon.com/Bodyhealt-Adjustable-Wheelchairs-Rollators-Scooters/dp/B07F196KHM> (Year: 2018).*

(22) Filed: **Jan. 6, 2021**

(51) **LOC (13) Cl.** **03-03**

(Continued)

(52) **U.S. Cl.**
USPC **D3/10; D3/203.1**

(58) **Field of Classification Search**
USPC D3/201, 202, 203.1, 215, 216, 221, 226,
D3/323, 327, 224, 10-13, 218, 229;
D8/394, 395, 396; D7/605-607; D11/3;
D22/147
CPC A44C 5/18; A45F 5/00; A45B 3/00; A45B
5/00

Primary Examiner — Brett Miller

Assistant Examiner — Jessica M Gebhart

(74) *Attorney, Agent, or Firm* — The Webb Law Firm

(57) **CLAIM**

The ornamental design for a portable cane holder, as shown and described.

See application file for complete search history.

DESCRIPTION

(56) **References Cited**

U.S. PATENT DOCUMENTS

4,895,330	A *	1/1990	Anstead	A45B 1/04 248/229.12
D464,705	S *	10/2002	Ratliffe	D3/221
7,021,324	B1 *	4/2006	Clay	A61H 3/04 135/66
D768,546	S *	10/2016	Ingallinera	D3/10
D789,778	S *	6/2017	White, Sr.	D3/215
D912,389	S *	3/2021	Park	D3/10
2003/0234035	A1 *	12/2003	Hutchinson	A45B 1/04 135/66
2008/0047986	A1 *	2/2008	Will	A45F 5/02 224/148.3

FIG. 1 is a front perspective view of a portable cane holder, showing my new design;

FIG. 2 is a front elevation view thereof;

FIG. 3 is a rear elevation view thereof;

FIG. 4 is a left side elevation view thereof;

FIG. 5 is a right side elevation view thereof;

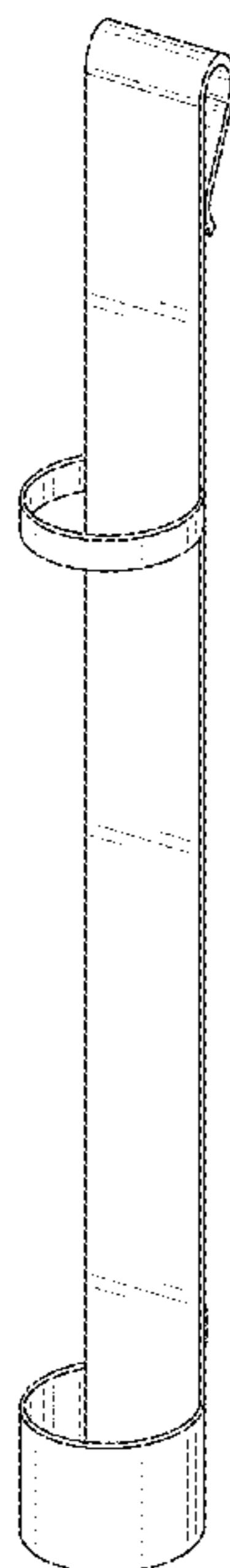
FIG. 6 is a top view thereof;

FIG. 7 is a bottom view thereof; and,

FIG. 8 is a perspective view thereof in its intended environment of use.

The broken line showings of FIG. 8 of a shopping cart and a cane are for the purpose of illustrating environmental structure and form no part of the claimed design.

1 Claim, 5 Drawing Sheets



(56)

References Cited

OTHER PUBLICATIONS

Careco.co.uk, Site visited May 17, 2022, Jazz Dual Crutch and Cane Holder, oldest review Apr. 5, 2019, <https://www.careco.co.uk/item-p-ms06162/jazz-dual-crutch-and-cane-holder/> (Year: 2019).*

Etsy.com, Site visited May 17, 2022, Shopping Cart Cup Holder, Oldest photo review, Jun. 17, 2020, <https://www.etsy.com/listing/606603760/shopping-cart-cup-holder> (Year: 2020).*

* cited by examiner

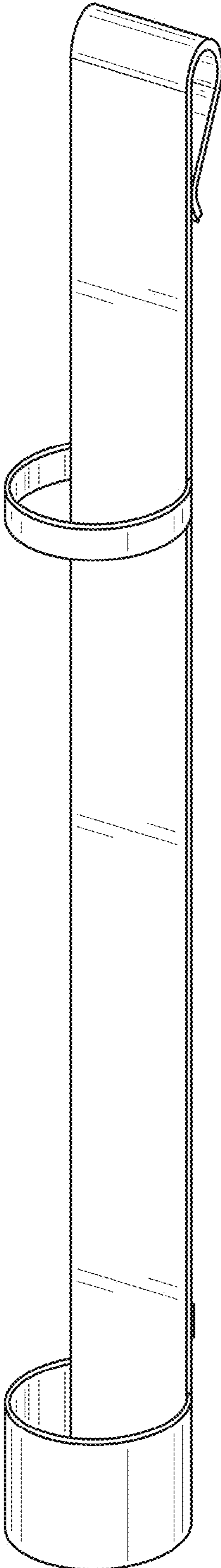


FIG. 1

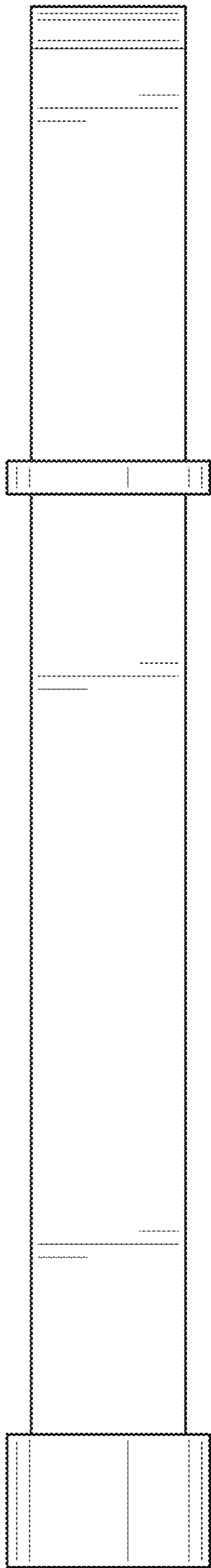


FIG. 2

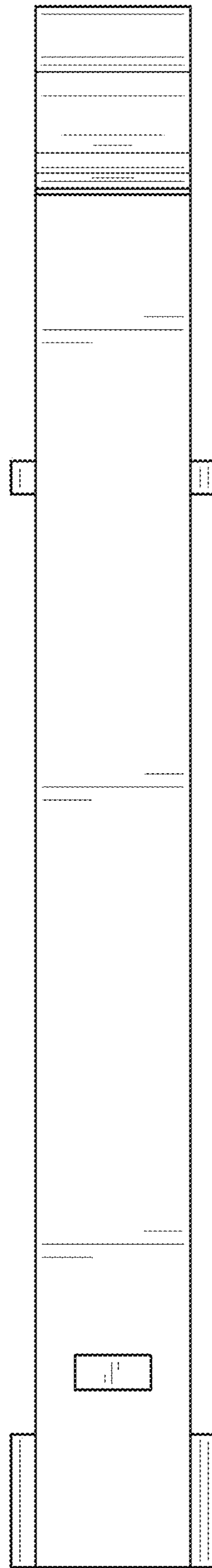


FIG. 3

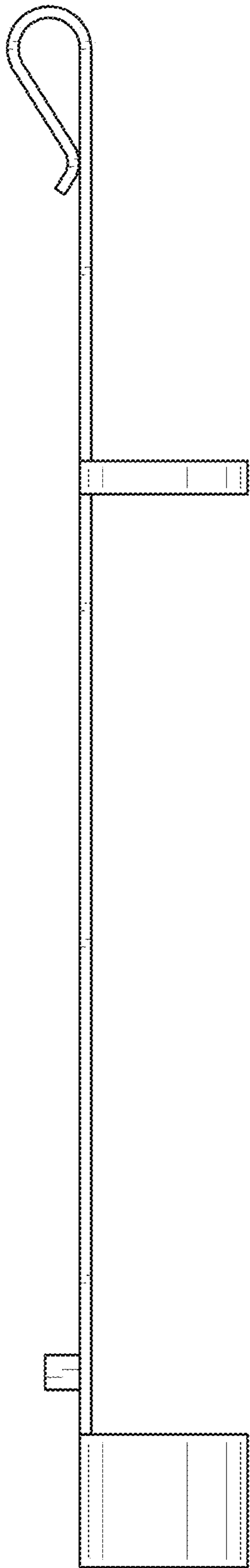


FIG. 4

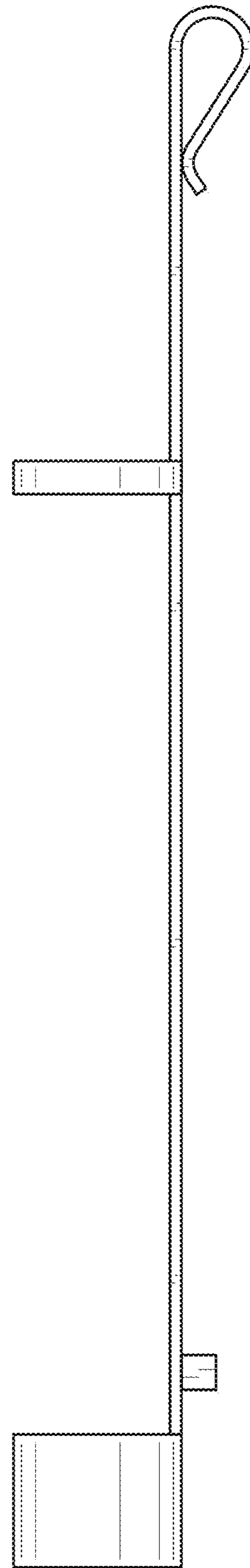


FIG. 5

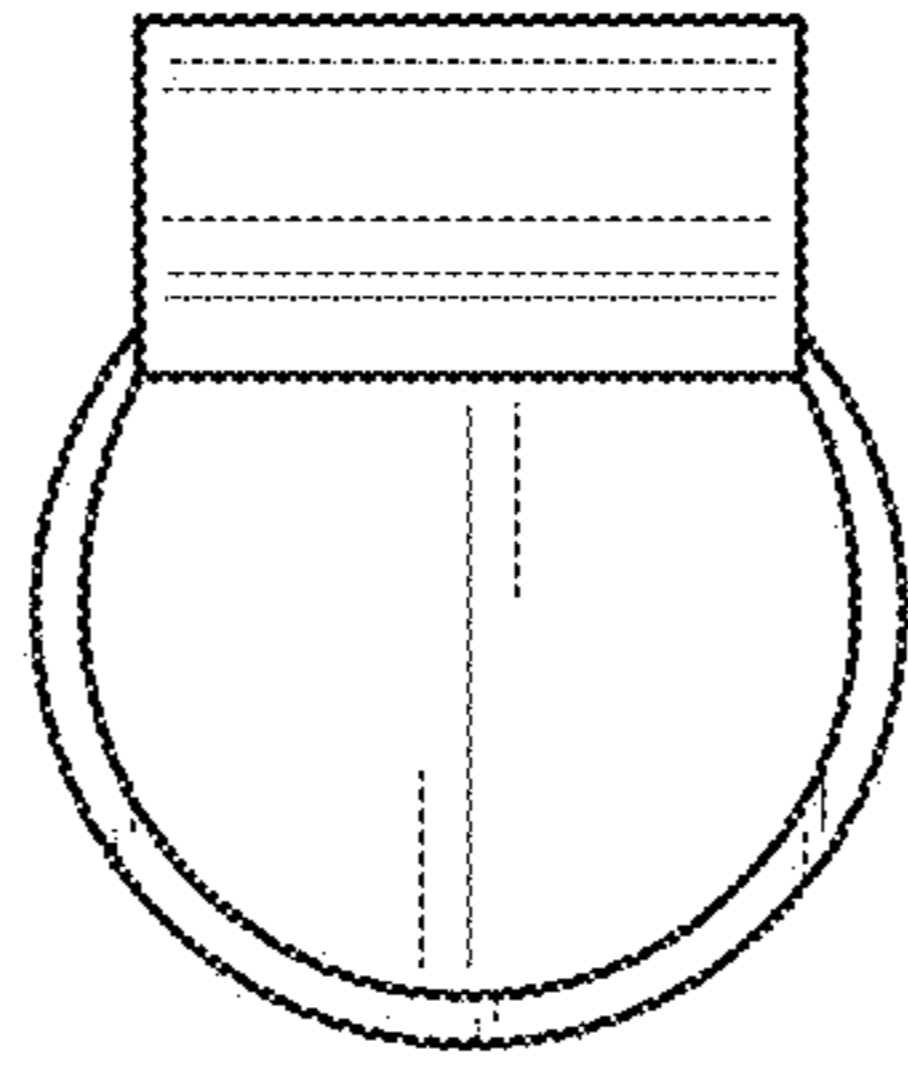


FIG. 6

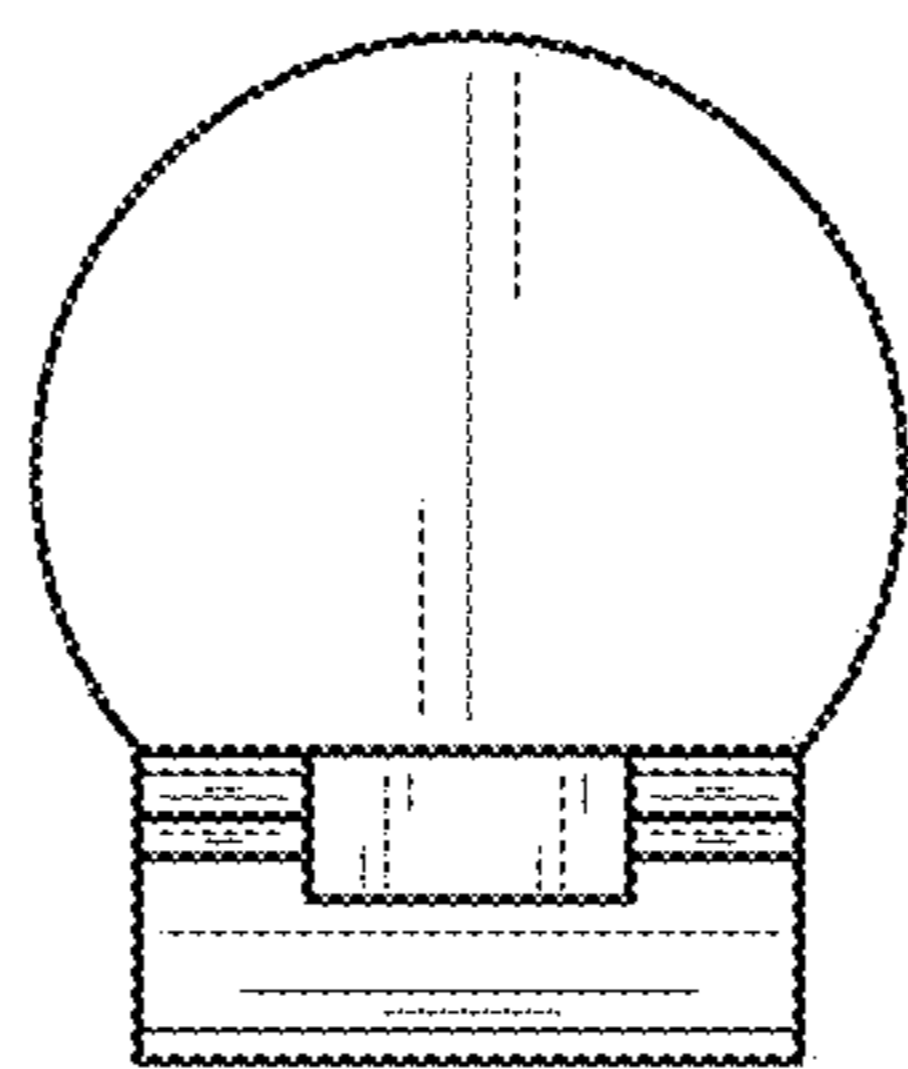


FIG. 7



FIG. 8