



US00D957803S

(12) **United States Design Patent**
Hernandez

(10) **Patent No.:** **US D957,803 S**

(45) **Date of Patent:** **** Jul. 19, 2022**

(54) **SHOE**

(71) Applicant: **NIKE, Inc.**, Beaverton, OR (US)

(72) Inventor: **Rolando Hernandez**, Portland, OR (US)

(73) Assignee: **NIKE, Inc.**, Beaverton, OR (US)

(**) Term: **15 Years**

(21) Appl. No.: **29/701,294**

(22) Filed: **Aug. 9, 2019**

(51) **LOC (13) Cl.** **02-04**

(52) **U.S. Cl.**
USPC **D2/972**

(58) **Field of Classification Search**

USPC D2/896, 902, 904, 906–908, 946, 947,
D2/949, 951, 953, 954, 955, 956, 960,
D2/964, 967, 968, 972, 977

CPC A43B 5/00; A43B 13/181; A43B 13/141;
A43B 23/26; A43B 13/188; A43B 23/00

See application file for complete search history.

(56) **References Cited**

U.S. PATENT DOCUMENTS

D296,381 S *	6/1988	Selbiger	D2/970
D875,370 S *	2/2020	Velazquez	D2/972
D882,932 S *	5/2020	Seamarks	D2/972
D905,417 S *	12/2020	Durflinger	D2/972
D905,950 S *	12/2020	Winfield	D2/972
D917,861 S *	5/2021	Hernandez	D2/972
D929,107 S *	8/2021	de Montgolfier	D2/972
D943,950 S *	2/2022	Parrett	D2/972

FOREIGN PATENT DOCUMENTS

EM 006594610-0009 * 6/2019

OTHER PUBLICATIONS

Nike Free RN Flyknit 2018 Black White [Online], retrieved [Jul. 25, 2019], retrieved from KicksOnFire.com [Internet] <URL:https://www.kicksonfire.com/app/nike-free-rn-flyknit-2018-black-white>; 8 color sheets, No date but published prior to filing this application. Nike Mens Flex Contact 2—Grey [Online], retrieved [Aug. 8, 2019], retrieved from RackRoomShoes.com [Internet] <URL:https://www.rackroomshoes.com/p/flex-contact-2/705750>; 7 color sheets, No date but published prior to filing this application. Nike Juvenate “Team Red” [Online], retrieved [Aug. 8, 2019], retrieved from SneakerNews.com [Internet] <URL: https://sneakernews.com/2015/07/19/nike-juvenate-team-red/>; 3 color sheets, Dated Jul. 19, 2015.

(Continued)

Primary Examiner — Garth Rademaker

Assistant Examiner — Laura H Yu

(74) *Attorney, Agent, or Firm* — Banner & Witcoff, Ltd.

(57) **CLAIM**

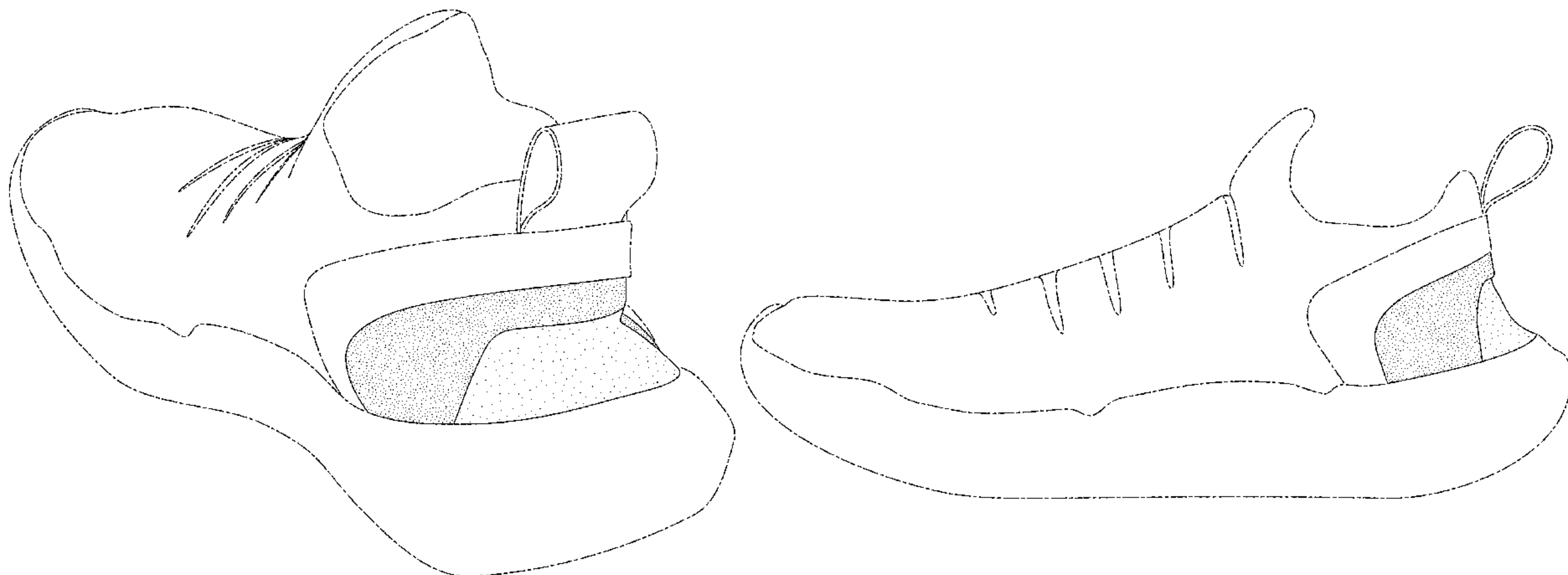
The ornamental design for a shoe, as shown and described.

DESCRIPTION

FIG. 1 is a side view of a shoe showing my new design; FIG. 2 is a rear perspective view thereof; FIG. 3 is rear view thereof; FIG. 4 is an opposite side rear perspective view thereof; and, FIG. 5 is an opposite side view thereof.

The contrast in shading between the two regions represents a contrast in appearance only and does not represent any particular color, material, texture or finish. The broken lines depicting the remainder of the shoe show features that form no part of the claimed design.

1 Claim, 5 Drawing Sheets



(56)

References Cited

OTHER PUBLICATIONS

Introducing the New Updated Nike Free TR Flyknit 3 [Online], retrieved [Aug. 9, 2019], retrieved from SneakerBarDetroit.com [Internet] <URL:<https://sneakerbardetroit.com/nike-free-tr-flyknit-3-release-date/>>; 6 color sheets, Dated Feb. 26, 2018.

The Legendary Nike Free Run Saga Continues With the 3.0 and 5.0 for 2019 [Online], retrieved [Jul. 23, 2019], retrieved from SneakerNews.com [Internet] <URL:<https://sneakernews.com/2019/03/19/nike-free-run-2019-release-info/>>; 20 color sheets, Dated Mar. 19, 2019.

* cited by examiner

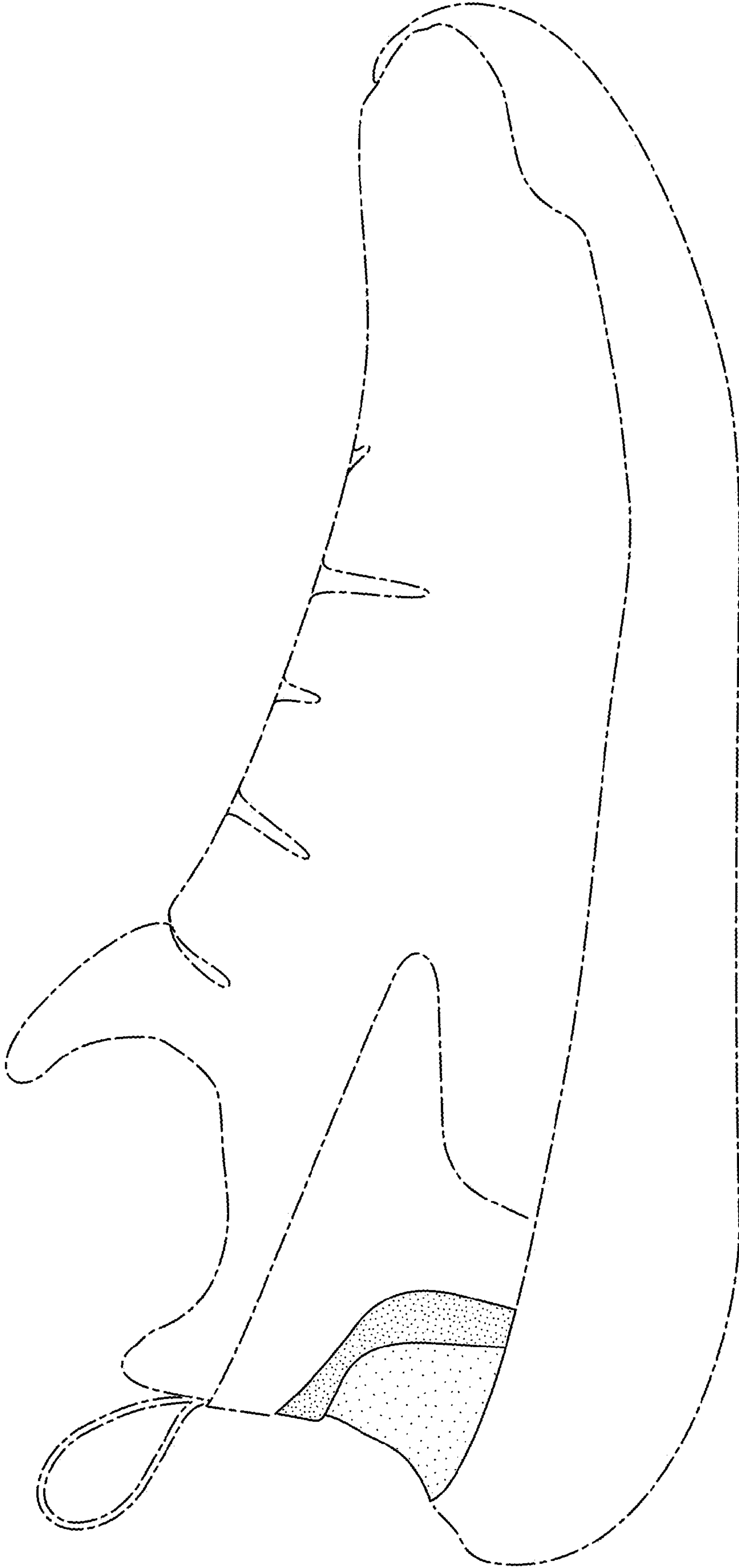


FIG. 1

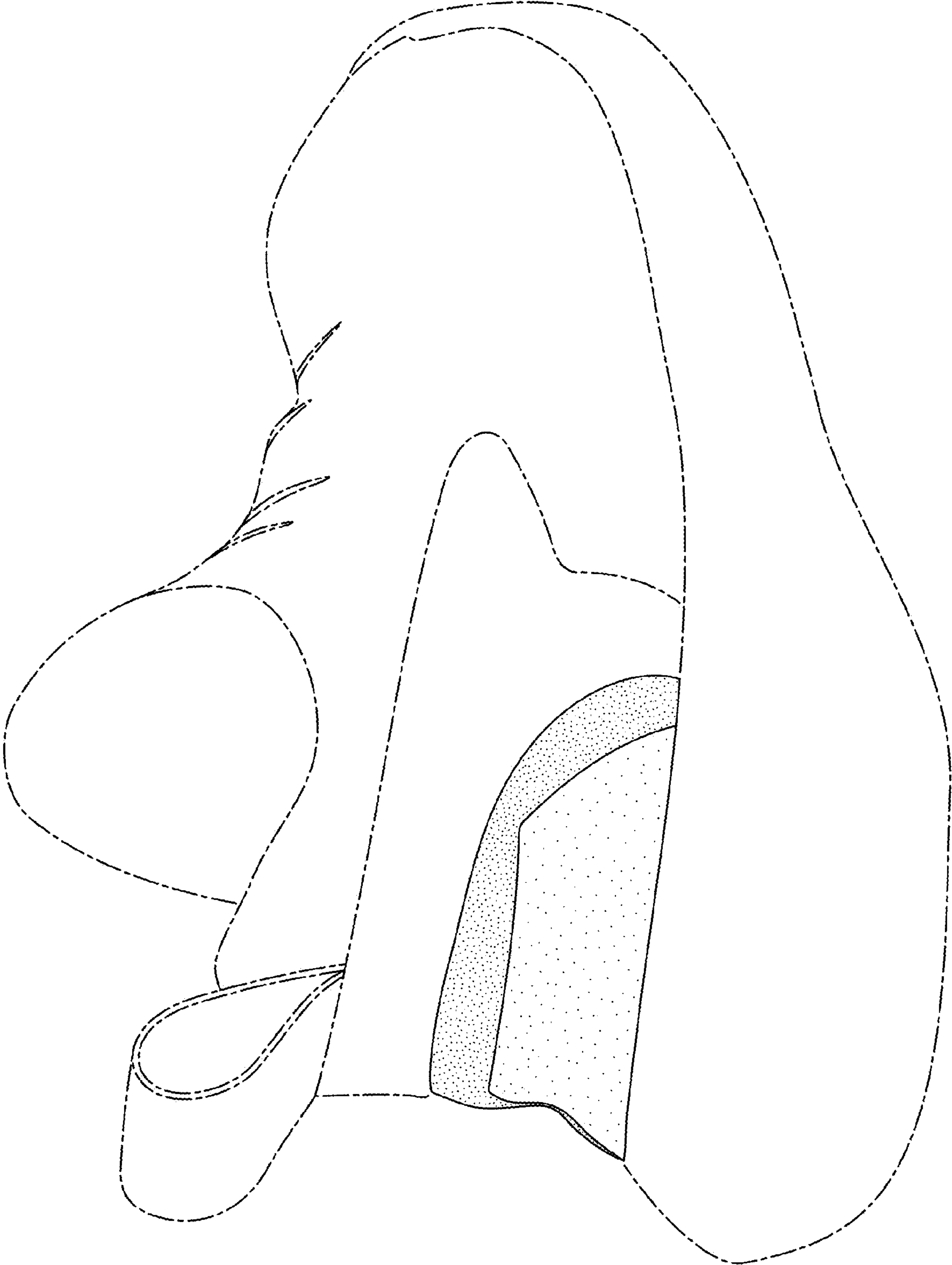


FIG. 2

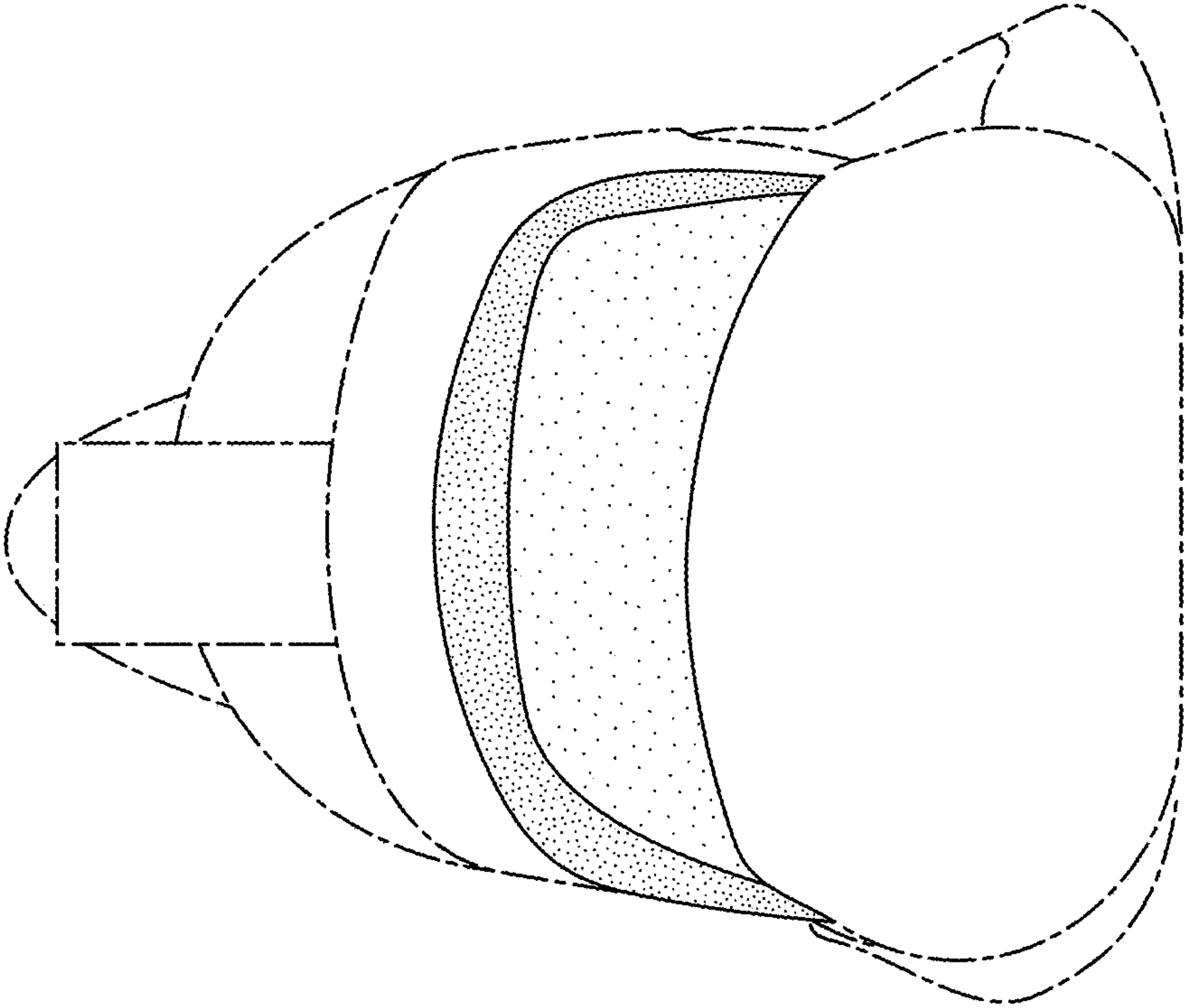


FIG. 3

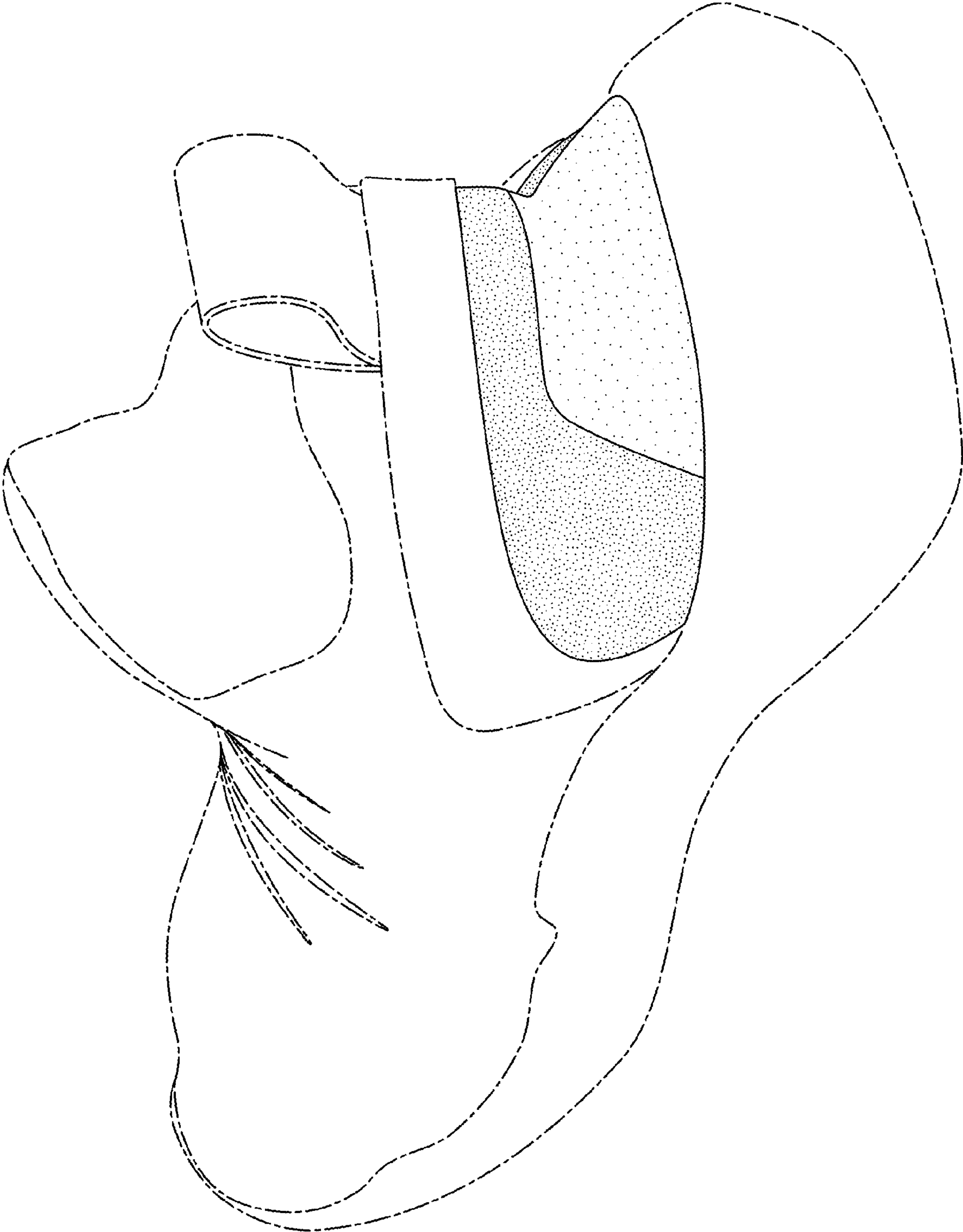


FIG. 4

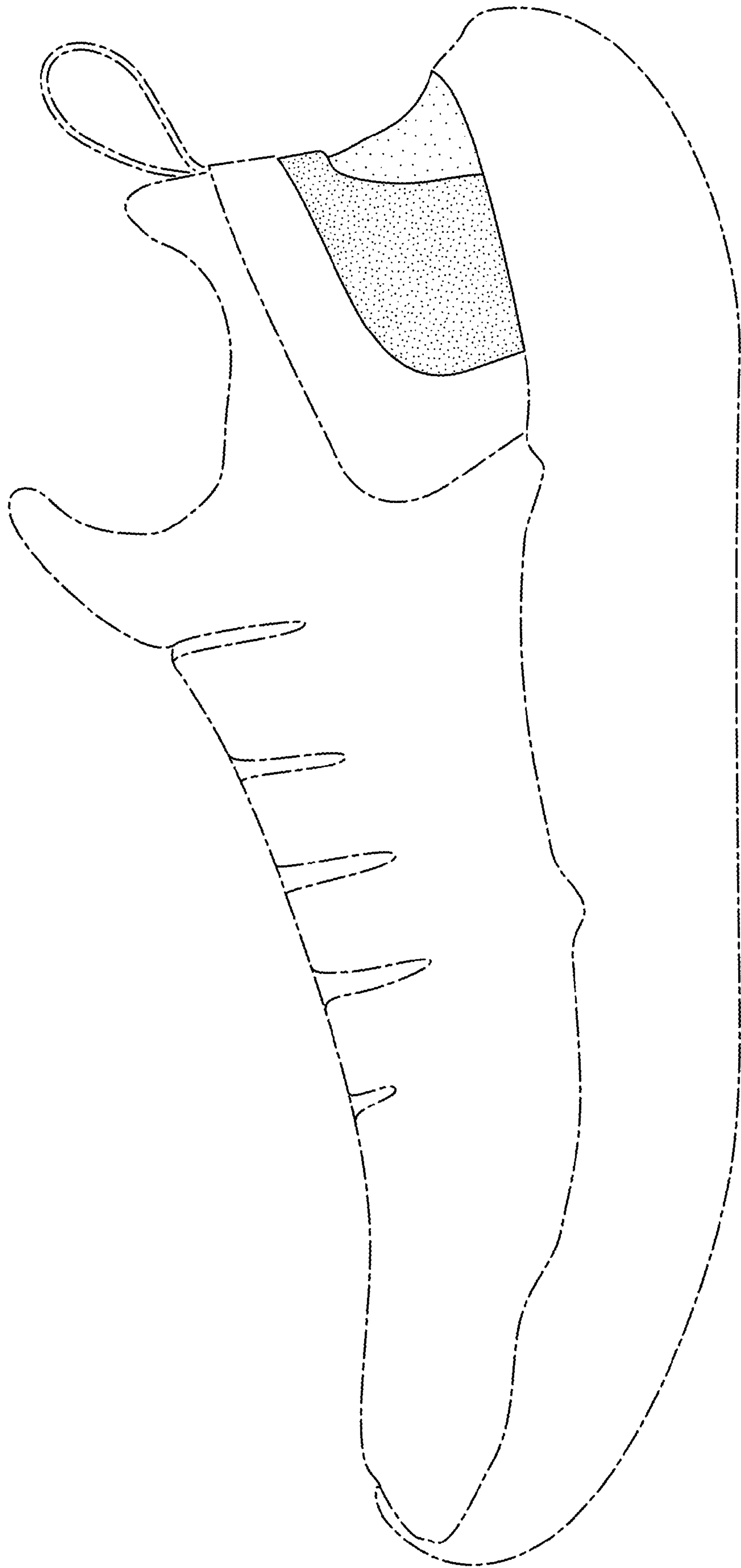


FIG. 5