



US00D957792S

(12) **United States Design Patent** (10) **Patent No.:** **US D957,792 S**  
**McKenna-Schliep** (45) **Date of Patent:** **\*\* Jul. 19, 2022**

(54) **MULTIPURPOSE ARTICLE**

(71) Applicant: **Kathleen McKenna-Schliep**,  
Huntington Beach, CA (US)  
(72) Inventor: **Kathleen McKenna-Schliep**,  
Huntington Beach, CA (US)

(\*\*) Term: **15 Years**  
(21) Appl. No.: **29/748,017**

(22) Filed: **Aug. 26, 2020**

(51) **LOC (13) Cl.** ..... **02-02**

(52) **U.S. Cl.**  
USPC ..... **D2/864; D3/233**

(58) **Field of Classification Search**  
USPC ..... D2/864; D3/232, 233  
CPC ..... A41D 15/04; A41D 13/04  
See application file for complete search history.

(56) **References Cited**

**U.S. PATENT DOCUMENTS**

1,468,505	A *	9/1923	La Rizza	.....	B63C 9/115
					2/108
1,606,107	A *	11/1926	Simms	.....	A45C 7/0063
					383/4
2,310,103	A *	2/1943	McDonald	.....	A41B 9/06
					2/113
2,534,473	A *	12/1950	Peek	.....	A45C 9/00
					2/48
3,115,639	A *	12/1963	Moszczynski	.....	A41D 13/04
					2/48
3,587,698	A *	6/1971	Ritter	.....	A45C 7/0077
					150/112
3,604,750	A *	9/1971	Doering	.....	A47D 15/006
					297/484
3,633,215	A *	1/1972	Richards	.....	A41D 1/04
					2/105

(Continued)

**FOREIGN PATENT DOCUMENTS**

GB 2438825 \* 12/2007

**OTHER PUBLICATIONS**

AIM DIY: Convertible Harvest Apron/Produce Bag by Alison,  
posted to andsothere.com. Available date:Jul. 22, 2015 [site visited  
Mar. 4, 2022] Available: <http://andsothere.com/adventures-in-  
making/diy-convertible-harvest-apron-produce-bag/> (Year: 2015).\*  
(Continued)

*Primary Examiner* — Kevin K Rudzinski  
(74) *Attorney, Agent, or Firm* — Cionca IP Law P.C.;  
Marin Cionca

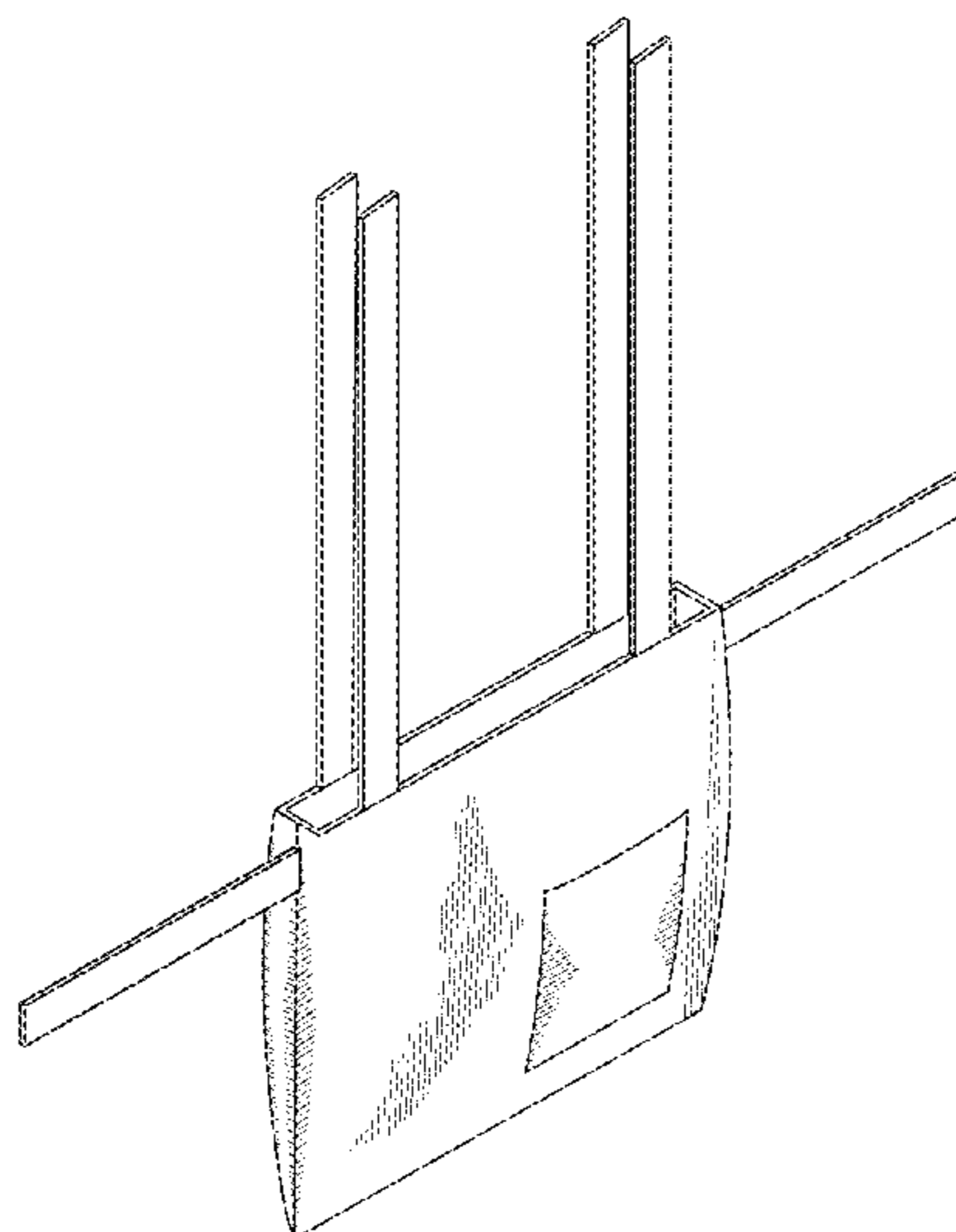
(57) **CLAIM**

The ornamental design for a multipurpose article, as shown  
and described.

**DESCRIPTION**

FIG. 1 is a front perspective view of a multipurpose article  
showing the new design;  
FIG. 2 is a front elevation view thereof;  
FIG. 3 is a rear elevation view thereof;  
FIG. 4 is a left side elevation view thereof;  
FIG. 5 is a right side elevation view thereof;  
FIG. 6 is a top plan view thereof;  
FIG. 7 is a bottom plan view thereof;  
FIG. 8 shows the multipurpose article in a first state, in  
which the multipurpose article is used as an apron;  
FIG. 9 shows the multipurpose article in a second state, in  
which the multipurpose article is used as a handbag;  
FIG. 10 shows the multipurpose article in a third state, in  
which the multipurpose article is used as a shoulder bag;  
and,  
FIG. 11 shows the multipurpose article in a fourth state, in  
which the multipurpose article is used as a floral bouquet  
wrap.  
The broken lines depict environmental matter that forms no  
part of the claimed design.

**1 Claim, 11 Drawing Sheets**



(56)

References Cited

U.S. PATENT DOCUMENTS

3,797,043 A \* 3/1974 Brument ..... A41D 15/04  
2/69.5  
3,818,158 A \* 6/1974 Nakanishi ..... A41D 15/04  
2/202  
4,067,066 A \* 1/1978 Bruno ..... A45C 9/00  
2/105  
4,375,111 A \* 3/1983 Hall ..... A45C 9/00  
383/3  
4,404,687 A \* 9/1983 Hager ..... A41D 15/04  
383/4  
4,637,076 A \* 1/1987 Tartt ..... A45F 4/12  
2/102  
5,012,543 A \* 5/1991 Lewis, Sr. .... A45F 5/00  
15/209.1  
5,044,699 A \* 9/1991 Duty ..... A45C 7/0077  
190/108  
D323,933 S \* 2/1992 Johnston ..... D12/416  
5,110,219 A \* 5/1992 Lopes ..... A45C 9/00  
5/419  
D330,114 S \* 10/1992 Carman ..... D3/232  
5,152,612 A \* 10/1992 Shoemaker ..... A45C 7/0077  
383/4  
D332,740 S \* 1/1993 Robbins ..... D3/303  
5,337,933 A \* 8/1994 Nunez ..... A01K 97/06  
224/660  
D352,260 S \* 11/1994 Adamo ..... D32/31  
D374,348 S \* 10/1996 Sarver ..... D3/232  
5,664,257 A \* 9/1997 Hall ..... A41D 15/04  
2/73  
5,688,052 A \* 11/1997 Compton ..... A45C 3/10  
383/4  
5,724,672 A \* 3/1998 Chen ..... A41D 15/04  
2/105  
6,061,849 A \* 5/2000 Seals ..... A47G 9/062  
5/656  
D432,299 S \* 10/2000 Vazquez ..... D3/232  
6,129,452 A \* 10/2000 Hakulin ..... A45C 9/00  
383/4  
D440,741 S \* 4/2001 Veira ..... D2/737  
6,230,950 B1 \* 5/2001 Heetman ..... A45C 7/0077  
224/901.2

D462,515 S \* 9/2002 Kagoshima ..... D3/238  
D529,679 S \* 10/2006 Meyer ..... D34/27  
D580,633 S \* 11/2008 Cross ..... D2/847  
D590,150 S \* 4/2009 Miller ..... D3/246  
D591,041 S \* 4/2009 Dickinson ..... D3/232  
D603,158 S \* 11/2009 Lown ..... D3/217  
D608,089 S \* 1/2010 McCoy ..... D3/232  
D608,090 S \* 1/2010 Lown ..... D3/232  
D631,654 S \* 2/2011 Lizhu ..... D3/234  
D698,517 S \* 2/2014 McNamara ..... D2/728  
D707,958 S \* 7/2014 Rubin ..... D3/218  
8,925,779 B1 \* 1/2015 Twigg ..... A45C 9/00  
224/579  
D721,872 S \* 2/2015 Cooper ..... D2/840  
D849,369 S \* 5/2019 McLeod ..... D2/639  
D851,908 S \* 6/2019 Casha ..... D3/201  
D851,909 S \* 6/2019 Casha ..... D3/201  
10,716,343 B2 \* 7/2020 Noll ..... A41D 15/00  
D907,892 S \* 1/2021 Frederick ..... D6/608  
2016/0135518 A1 \* 5/2016 Scott ..... A47K 10/02  
2/69

OTHER PUBLICATIONS

DIY Garden Harvest Apron posted to smallfriendly.com. Available date: May 9, 2012 [site visited Mar. 3, 2022] Available: <<https://www.smallfriendly.com/small-friendly/2012/05/garden-harvest-apron.html>> (Year: 2012).\*

How to Tie and Pick a Size: The Infinity Tie-Strap Tote posted to fabricninja.com. Available date: Mar. 7, 2017 [site visited Mar. 4, 2022] Available: <<https://fabricninja.com/how-to-tie-and-pick-a-size-the-infinity-tie-strap-tote/>> (Year: 2017).\*

Reversible Tie-Top Handbag Tutorial by Robyn Vines Smith, posted to bestfabricstore.com. Available date: Oct. 2, 2010 [site visited Mar. 4, 2022] Available: <<https://bestfabricstore.com/blog/reversible-tie-top-handbag-tutorial/>> (Year: 2010).\*

Farmgirl Flowers, Inc., US Trademark Application Serial No. 86060972., USPTO, [https://tsdr.uspto.gov/#caseNumber=86060972&caseSearchType=US\\_APPLICATION&caseType=DEFAULT&searchType=statusSearch](https://tsdr.uspto.gov/#caseNumber=86060972&caseSearchType=US_APPLICATION&caseType=DEFAULT&searchType=statusSearch), US.

\* cited by examiner

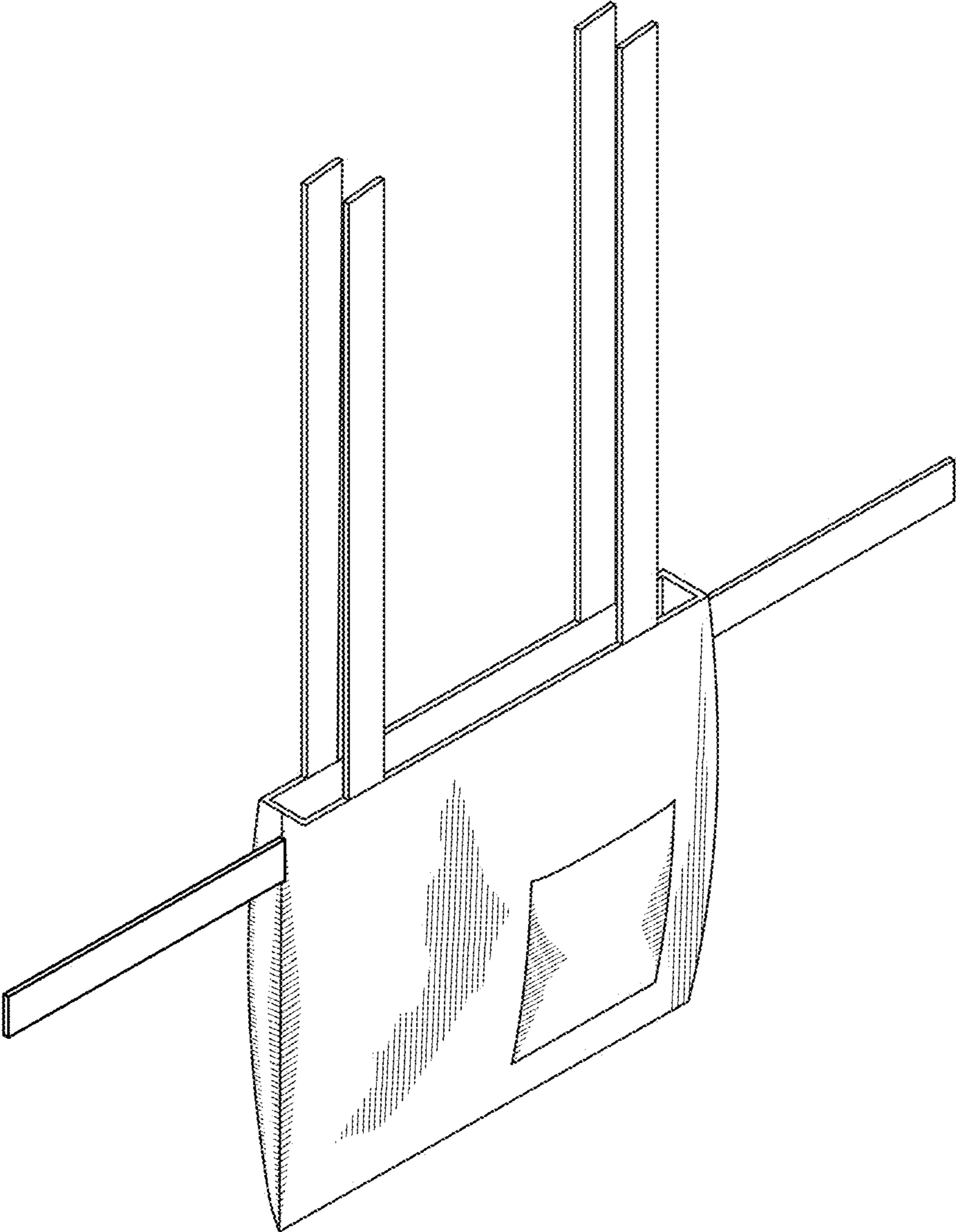


FIG. 1

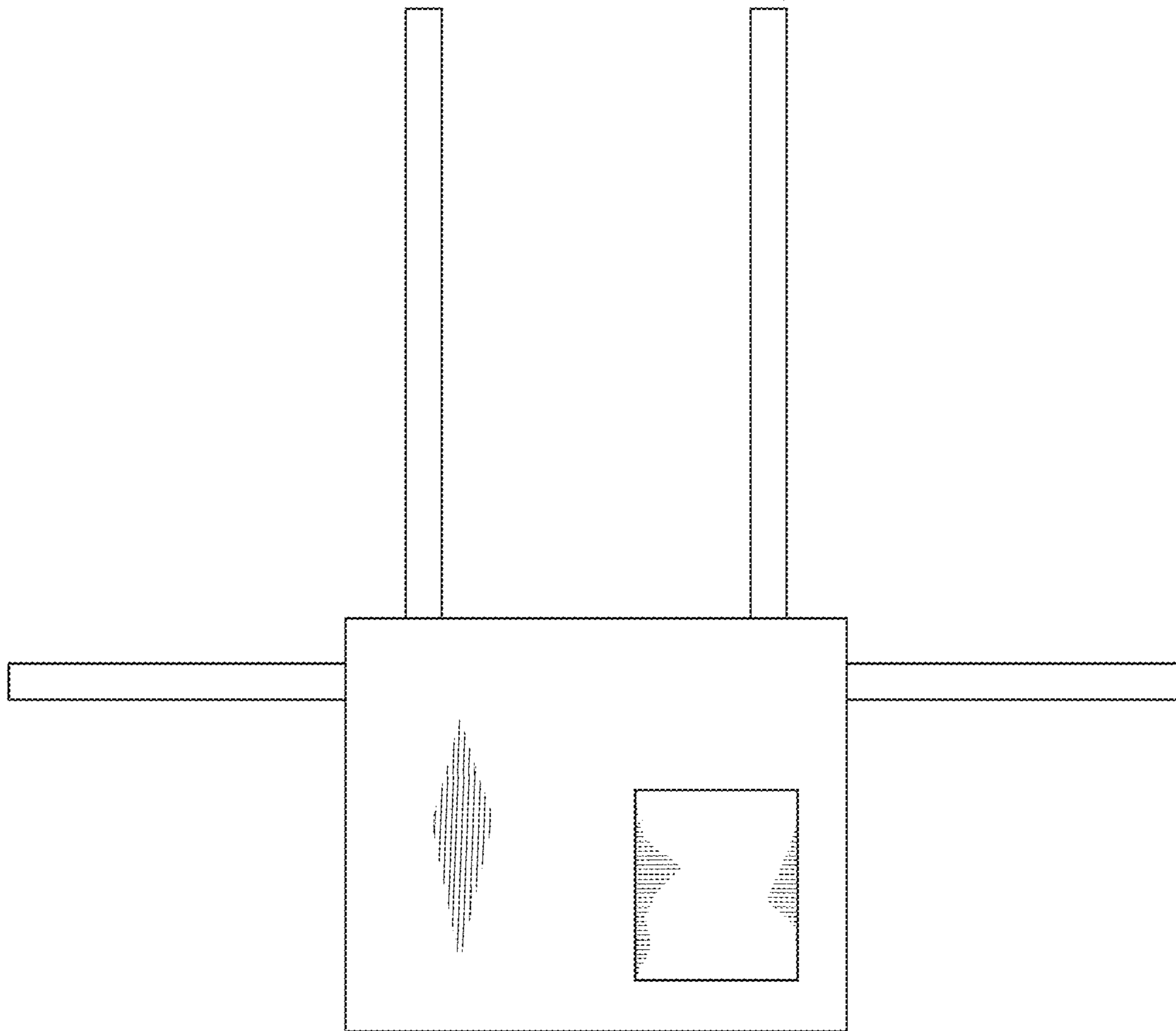


FIG. 2

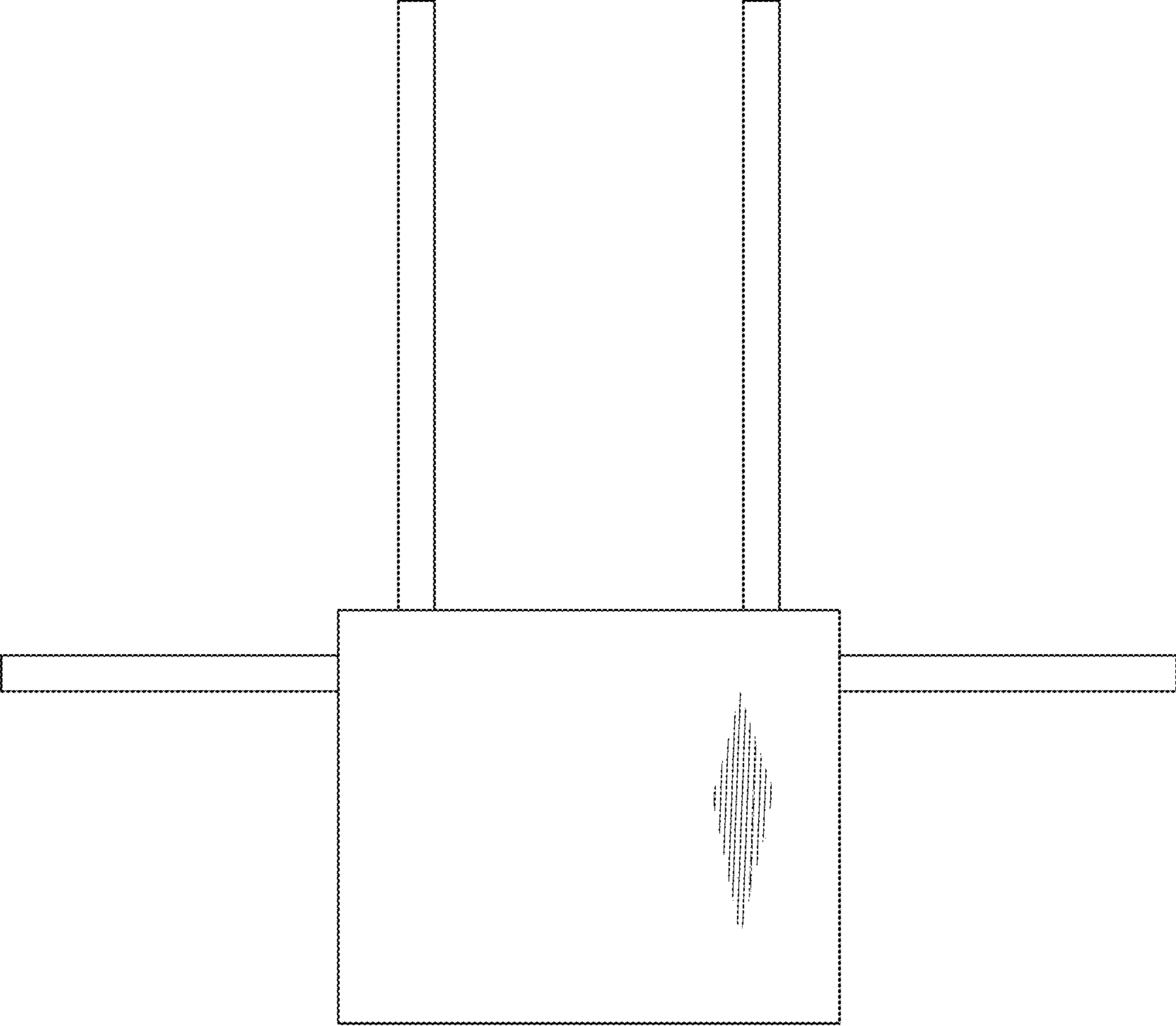


FIG. 3



FIG. 4

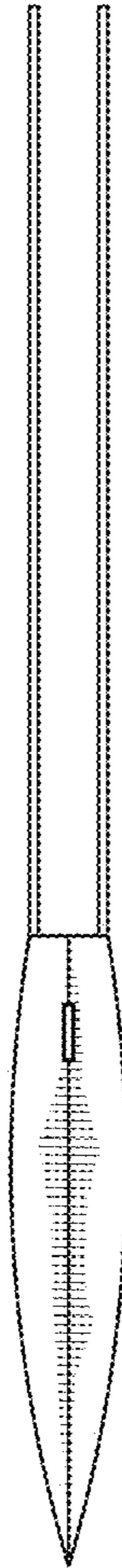


FIG. 5

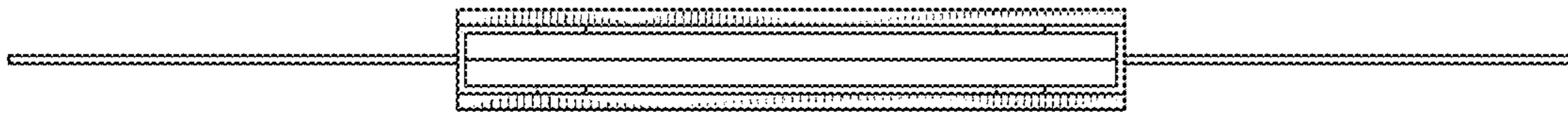


FIG. 6



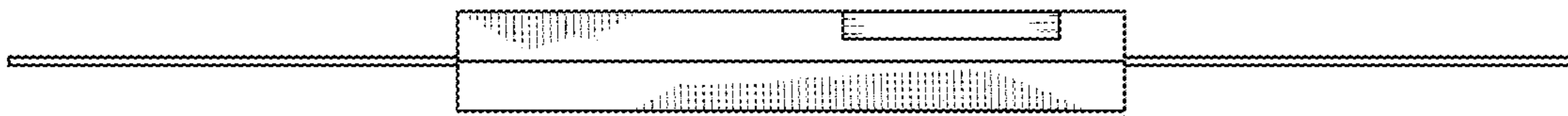


FIG.7

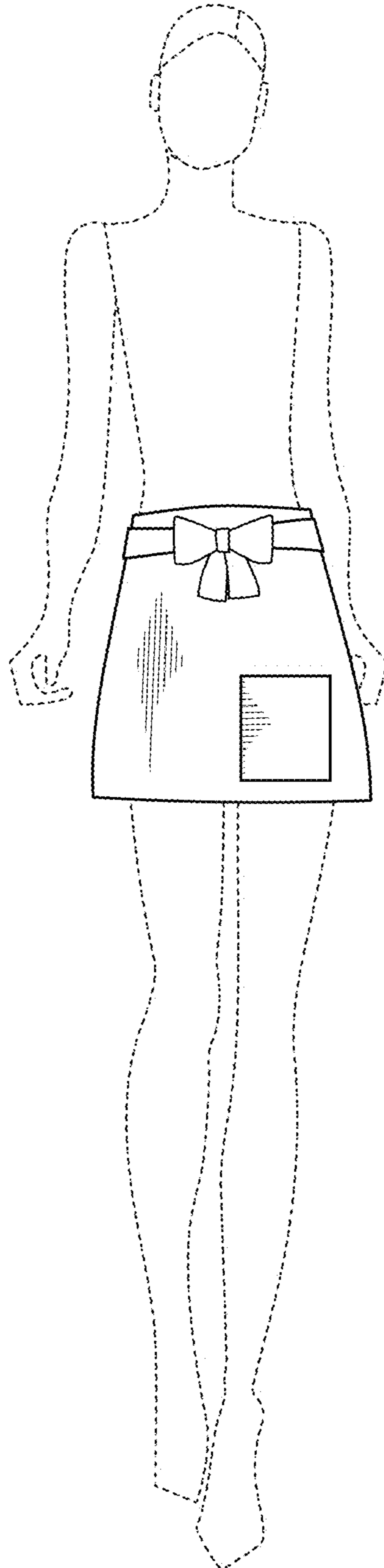


FIG.8

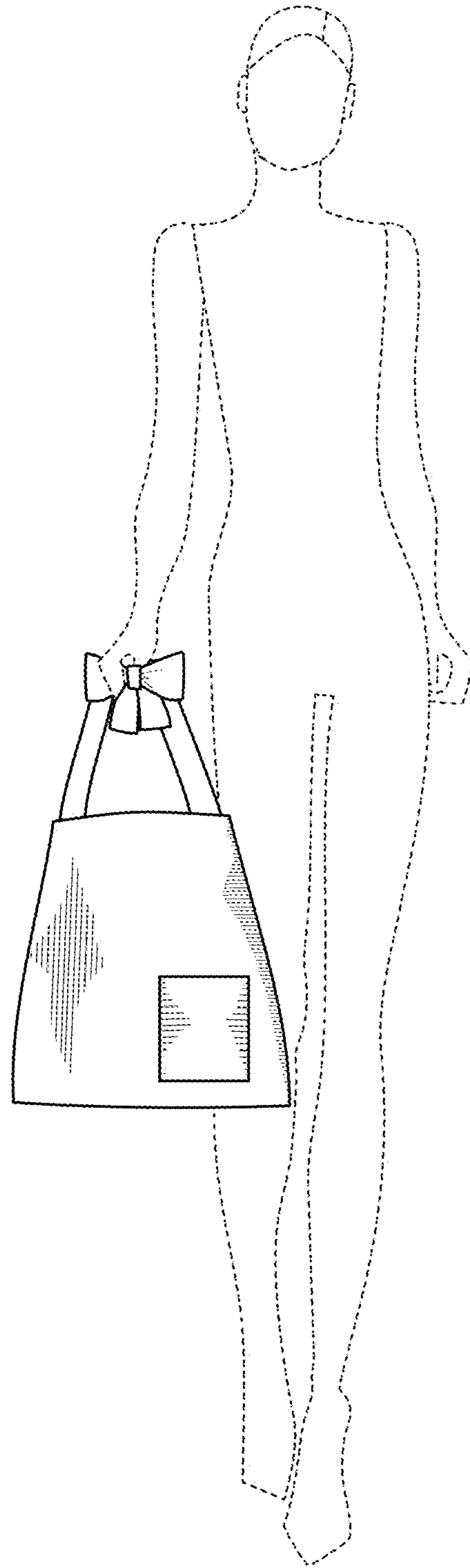


FIG.9

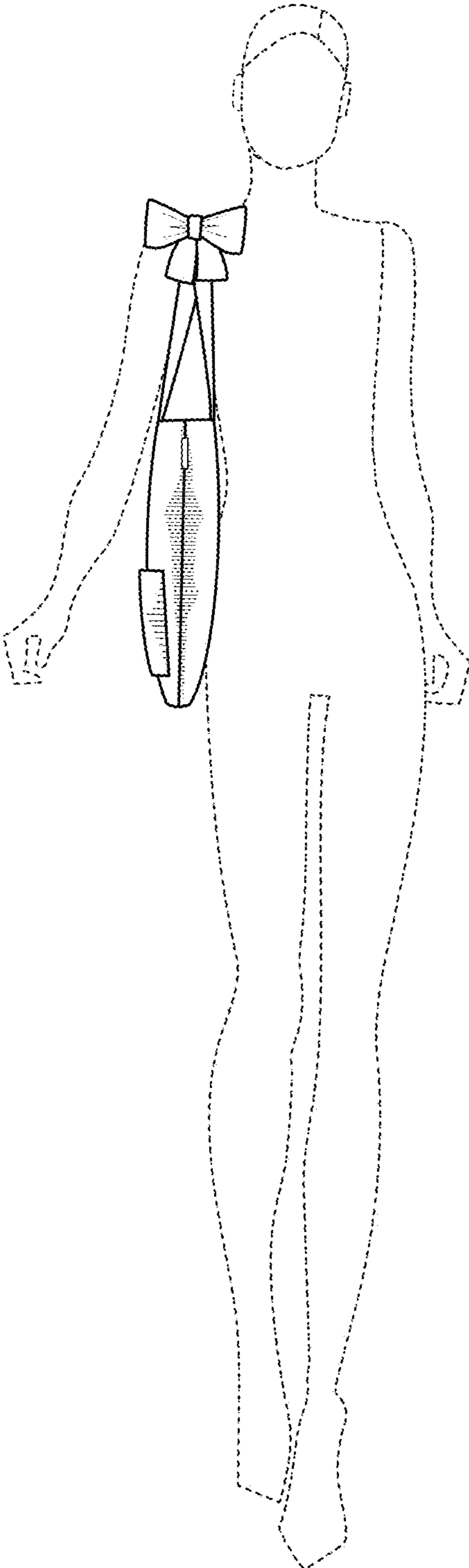


FIG.10

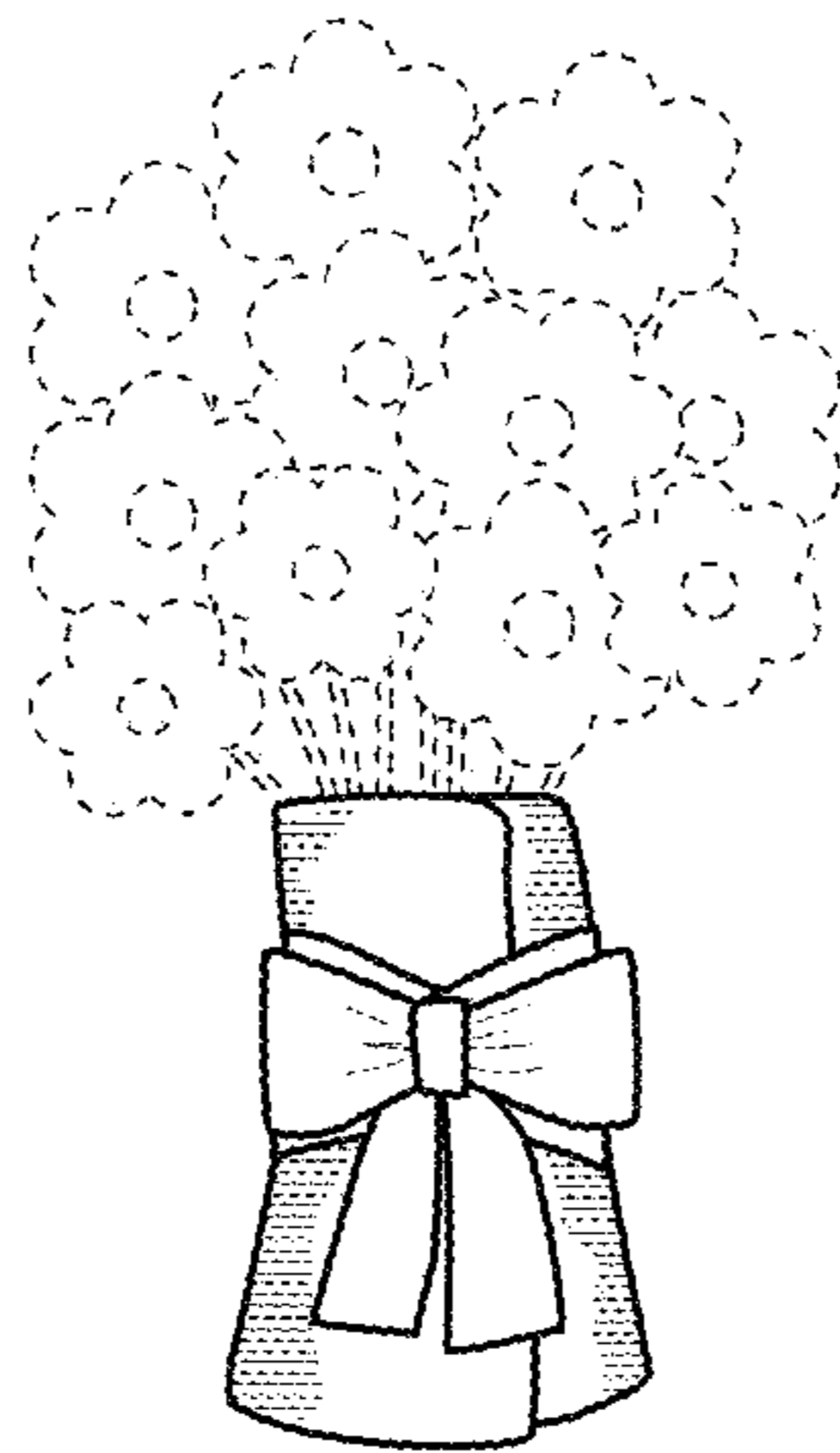


FIG.11