



US00D957780S

(12) **United States Design Patent**
Hiramasu

(10) **Patent No.:** **US D957,780 S**

(45) **Date of Patent:** **** Jul. 12, 2022**

(54) **DRYING RACK**

(71) Applicant: **Iris Ohyama Inc.**, Sendai (JP)

(72) Inventor: **Yuta Hiramasu**, Kakuda (JP)

(73) Assignee: **Iris Ohyama Inc.**, Sendai (JP)

(**) Term: **15 Years**

(21) Appl. No.: **29/765,154**

(22) Filed: **Jan. 6, 2021**

(30) **Foreign Application Priority Data**

Jul. 20, 2020 (JP) 2020-014949 D

(51) **LOC (13) Cl.** **07-05**

(52) **U.S. Cl.**
USPC **D32/58**

(58) **Field of Classification Search**
USPC D32/55, 276, 3, 58; D6/510, 525;
211/41.5, 41.4, 41.3, 41.8, 195, 200;
361/679.4; 312/311, 333, 334.4;
D7/354, 629, 368
CPC .. F26B 25/18; F26B 9/003; A61L 9/20; A47F
3/08; A47B 43/00; D06F 57/12
See application file for complete search history.

(56) **References Cited**

U.S. PATENT DOCUMENTS

- 2,179,254 A * 11/1939 Dvorak D06F 59/08
D32/58
- 2,242,386 A * 5/1941 Block D06C 3/00
D32/58
- D162,149 S * 2/1951 Gaither D34/21
- 2,919,818 A * 1/1960 Clegg A47G 25/0664
211/195
- D235,239 S * 6/1975 Cartwright D32/58
- D267,768 S * 2/1983 Duggan 211/171

- D365,183 S * 12/1995 Purackal D32/58
- D546,013 S * 7/2007 Pong D32/58
- D564,165 S * 3/2008 King D32/58
- D595,914 S * 7/2009 Housley D32/58
- D825,128 S * 8/2018 Nolen, Sr. D32/58
- D827,965 S * 9/2018 Barre D32/58

FOREIGN PATENT DOCUMENTS

- JP 1190314 S 11/2003
- JP 2018-110900 A 7/2018

OTHER PUBLICATIONS

Zakka Catlog, No. 1 vol. 14(Feb. 1, 2006), 86page,(Japan patent Office Design Department, publicity known reference No. HA 17017707).

Dinos Corporation, website publication results, 9000-6018-03, (Japan patent Office Design Department, publicity known reference No. HJ22066186); Publication Date: Jan. 28, 2011.

(Continued)

Primary Examiner — Austin Murphy

(74) *Attorney, Agent, or Firm* — Studebaker & Brackett PC

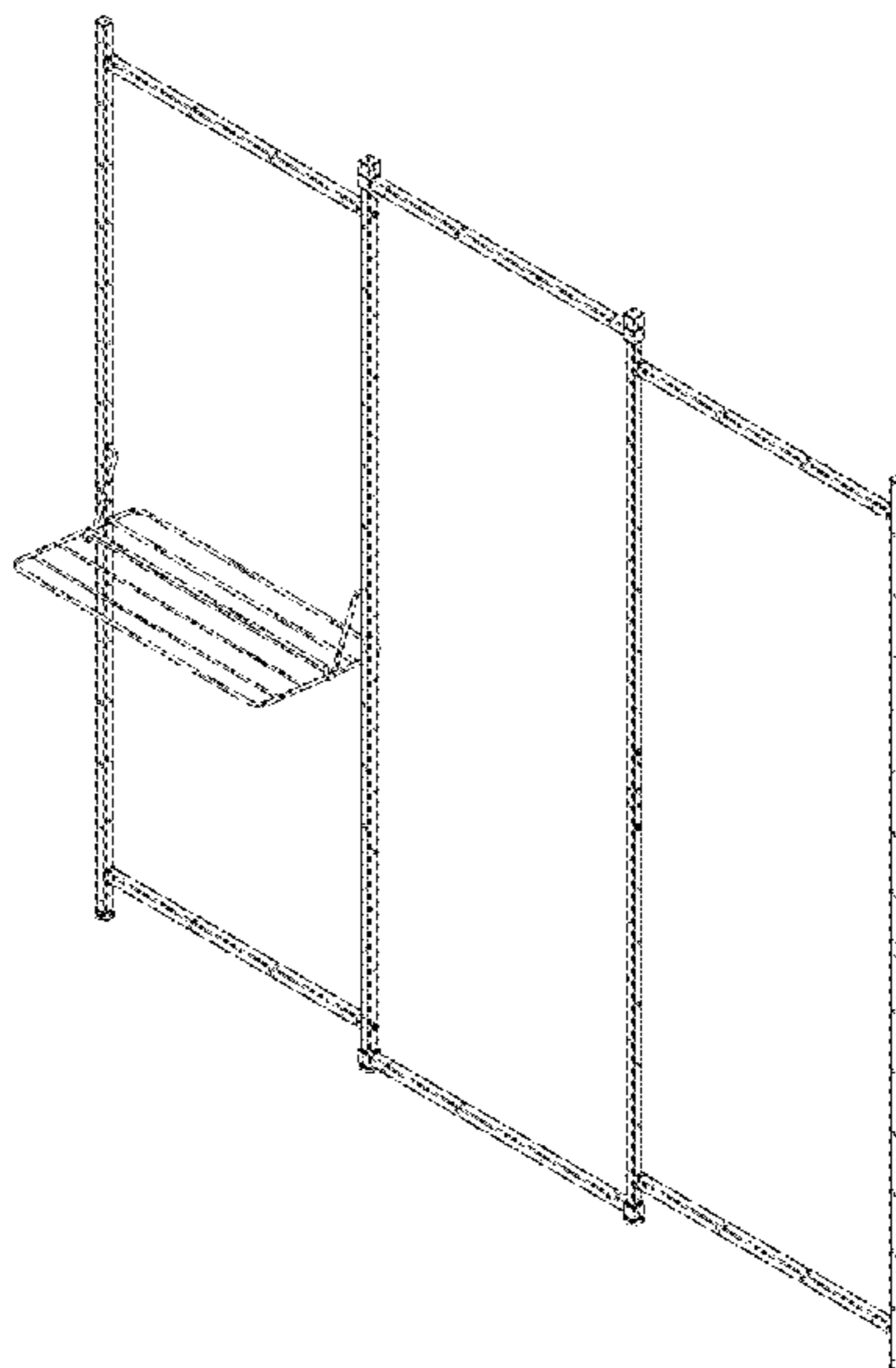
(57) **CLAIM**

The ornamental design for a drying rack, as shown and described.

DESCRIPTION

FIG. 1 is a front, top and right-side perspective view of a drying rack showing my new design;
FIG. 2 is a front view thereof;
FIG. 3 is a rear view thereof;
FIG. 4 is a top view thereof;
FIG. 5 is a bottom view thereof;
FIG. 6 is a right-side view thereof;
FIG. 7 is a left-side view thereof; and,
FIG. 8 is a front view, shown in a state of use.

1 Claim, 8 Drawing Sheets



(56)

References Cited

OTHER PUBLICATIONS

Dinos Corporation, website publication results, 9000-0524-01, (Japan patent Office Design Department, publicity known reference No. HJ26062147); Publication Date: Feb. 10, 2015.

“Notification” Office Action issued in JP 2020-014949; dated by the Japanese Patent Office on Nov. 17, 2020.

“Notice of Allowance” Office Action issued in JP 2020-014949; dated by the Japanese Patent Office on Nov. 17, 2020.

* cited by examiner

FIG.1

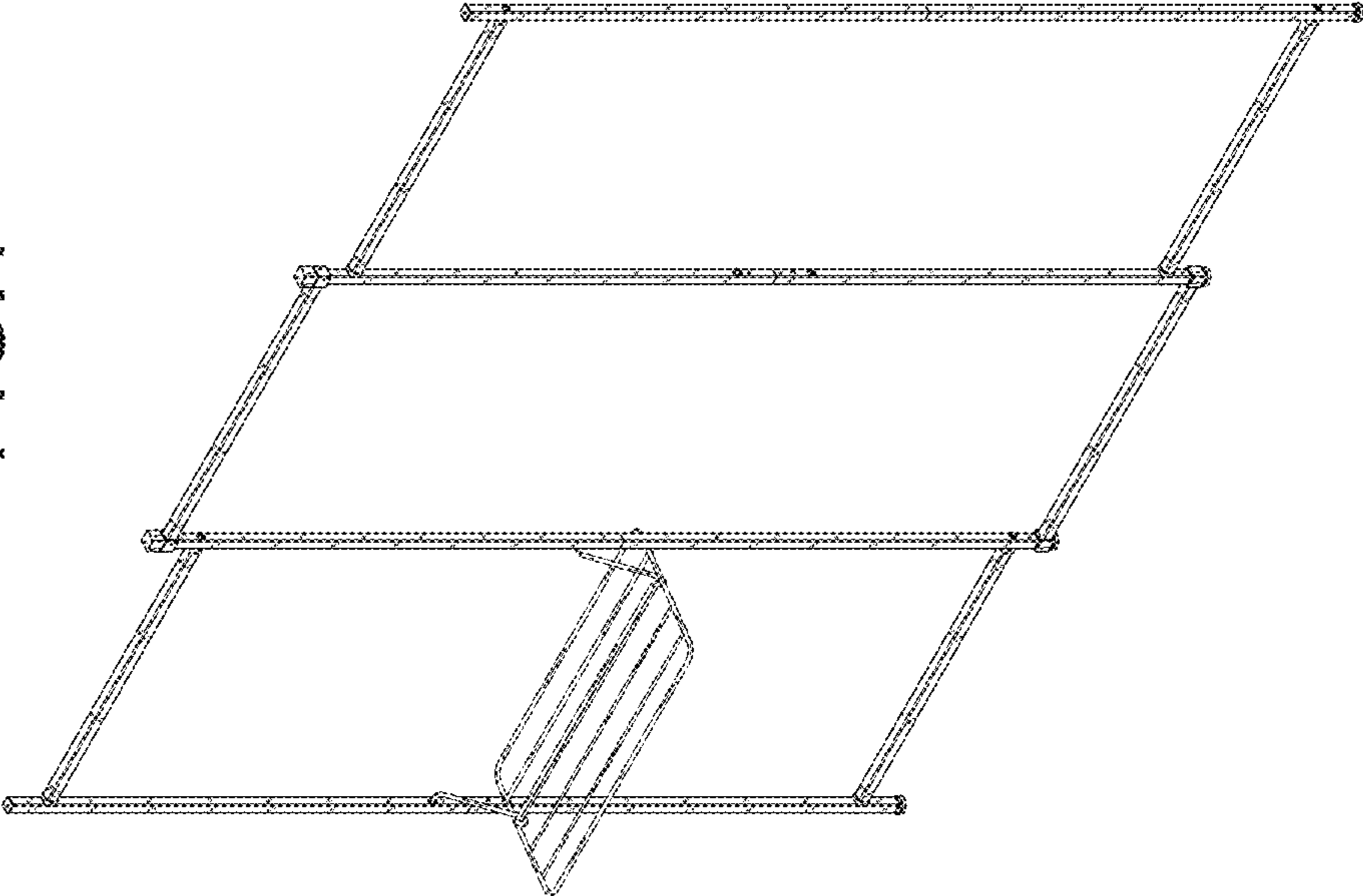


FIG.2

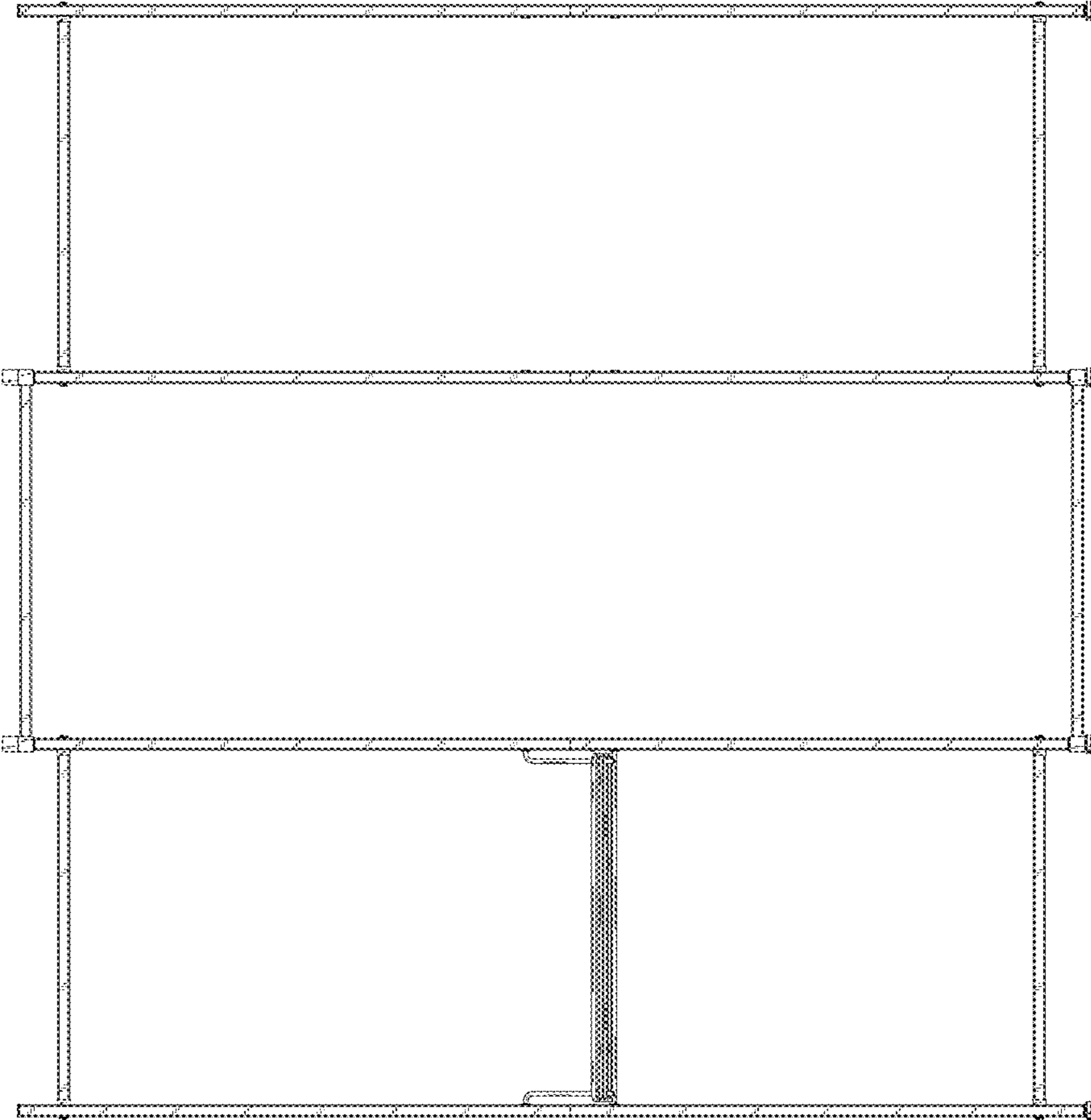


FIG. 3

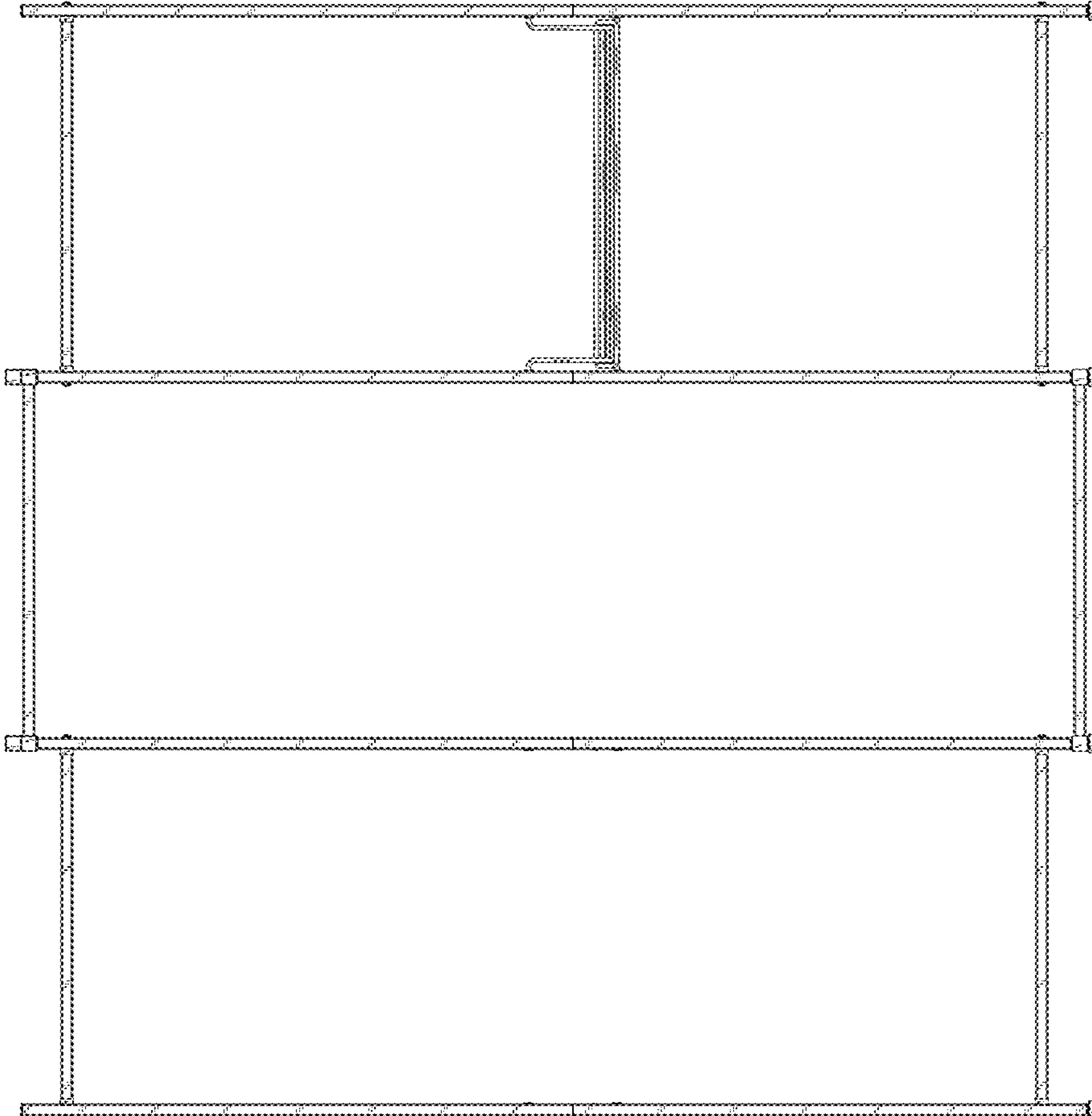


FIG.4

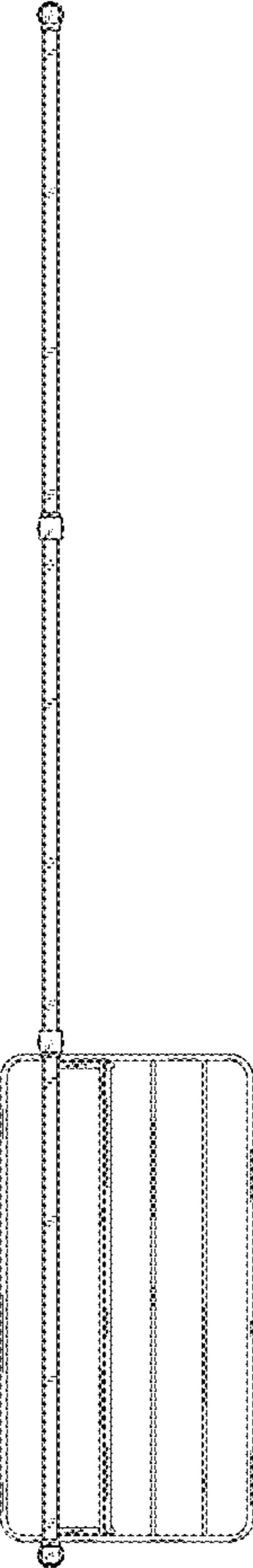


FIG. 5

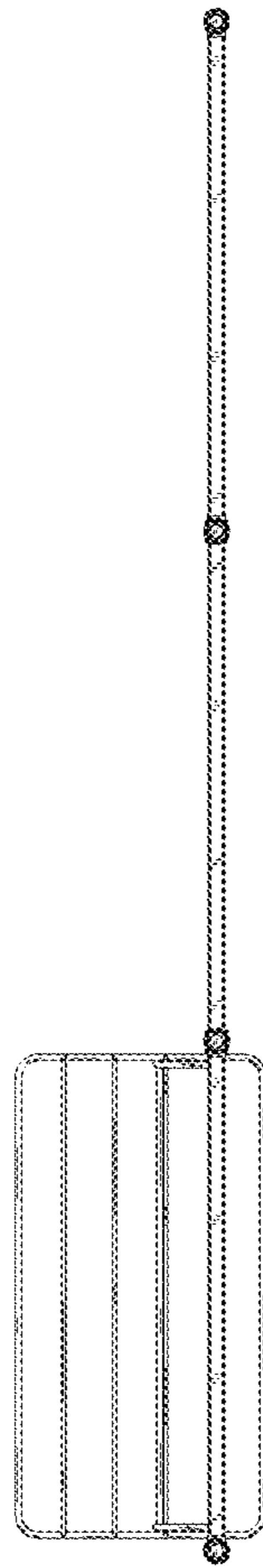


FIG. 6

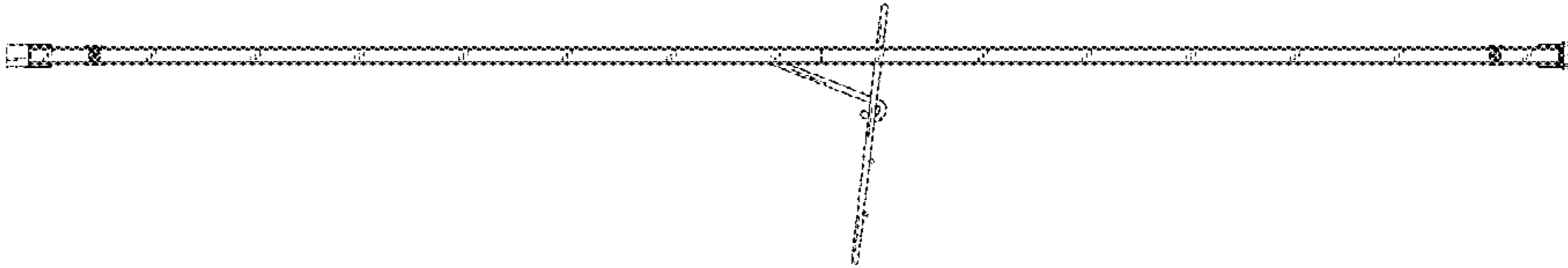


FIG. 7

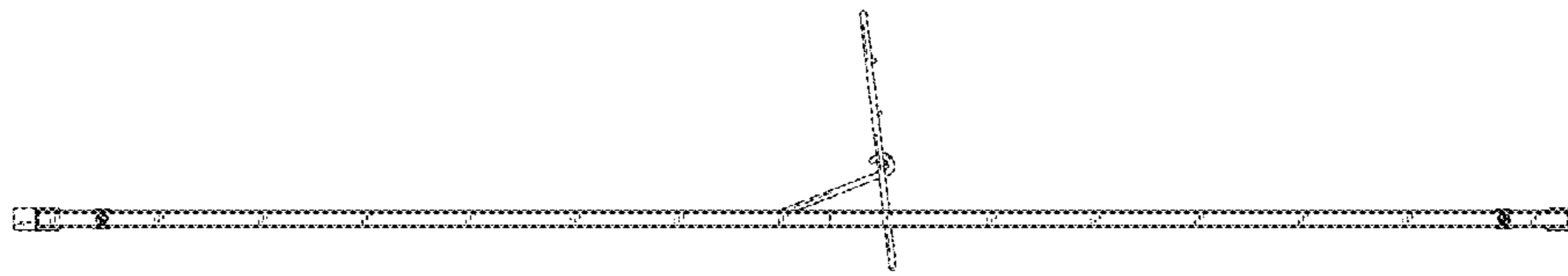


FIG. 8

