



US00D957779S

(12) **United States Design Patent**  
**Zang**

(10) **Patent No.:** **US D957,779 S**  
(45) **Date of Patent:** **\*\* Jul. 12, 2022**

(54) **DISH RACK**  
(71) Applicant: **Qionghua Zang**, Jingzhou (CN)  
(72) Inventor: **Qionghua Zang**, Jingzhou (CN)  
(\*\*) Term: **15 Years**  
(21) Appl. No.: **29/796,585**

D925,852 S \* 7/2021 XiangZe ..... D32/55  
D939,167 S \* 12/2021 Fan ..... D32/55  
2016/0249783 A1\* 9/2016 Oh ..... A47L 19/04  
211/41.4

**FOREIGN PATENT DOCUMENTS**

KR 300811140 \* 8/2015

**OTHER PUBLICATIONS**

Amazon.com—Kitsure Dish Drying Rack [https://www.amazon.com/Kitsure-Rustproof-Capacity-Installation-Adjustable/dp/B096FRCBV3?ref\\_ast\\_dp&th=1](https://www.amazon.com/Kitsure-Rustproof-Capacity-Installation-Adjustable/dp/B096FRCBV3?ref_ast_dp&th=1) (Year: 2022).\*  
Bed Bath and Beyond Umbra® Holster Dish Rack <https://www.bedbathandbeyond.com/store/product/umbra-holster-dish-rack-in-charcoal/5167854> (Year: 2019).\*

\* cited by examiner

*Primary Examiner* — Michelle E. Wilson  
*Assistant Examiner* — Richard E Yenchesky

(22) Filed: **Jun. 25, 2021**  
(51) **LOC (13) Cl.** ..... **07-05**  
(52) **U.S. Cl.**  
USPC ..... **D32/55**  
(58) **Field of Classification Search**  
USPC ..... D6/525; D30/133; D32/55–59  
CPC ..... A47L 19/00; A47L 19/02; A47L 17/00;  
A47L 17/04; A47J 47/20; A47J 2201/00;  
A47J 47/00; B65D 35/02  
See application file for complete search history.

(57) **CLAIM**

The ornamental design for a dish rack, as shown and described.

(56) **References Cited**

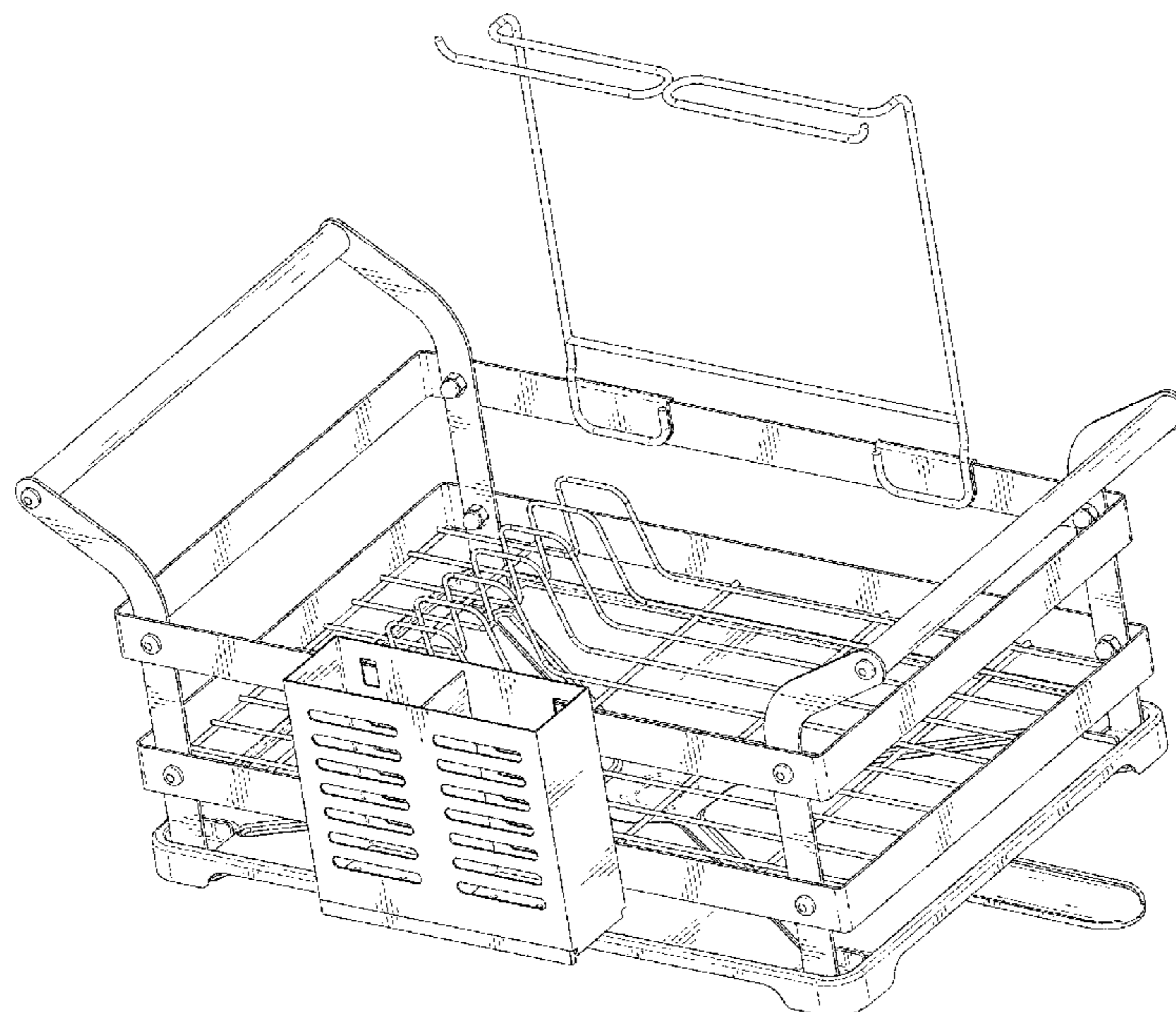
**U.S. PATENT DOCUMENTS**

D559,491 S *	1/2008	Yang	.....	D32/55
D599,067 S *	8/2009	Yang	.....	D32/55
D599,068 S *	8/2009	Yang	.....	D32/55
D647,678 S *	10/2011	Yang	.....	D32/55
D693,081 S *	11/2013	Yang	.....	D32/55
D776,385 S *	1/2017	Evans	.....	D32/55
D776,387 S *	1/2017	Chen	.....	D32/56
D799,133 S *	10/2017	Wong	.....	D32/55
D819,289 S *	5/2018	Umholtz	.....	D32/55
D822,929 S *	7/2018	Kim	.....	D32/55
D874,775 S *	2/2020	Xie	.....	D32/55
D887,098 S *	6/2020	Li	.....	D32/55
D914,312 S *	3/2021	Cheng	.....	D32/55
D915,707 S *	4/2021	Li	.....	D32/55
D921,316 S *	6/2021	Zhou	.....	D32/55
D921,318 S *	6/2021	Ling	.....	D32/55
D921,319 S *	6/2021	Xie	.....	D32/55

**DESCRIPTION**

FIG. 1 is a perspective view of a dish rack showing my new design;  
FIG. 2 is another perspective view thereof;  
FIG. 3 is a front elevational view thereof;  
FIG. 4 is a rear elevational view thereof;  
FIG. 5 is a left side elevational view thereof;  
FIG. 6 is a right side elevational view thereof;  
FIG. 7 is a top plan view thereof; and,  
FIG. 8 is a bottom plan view thereof.  
The broken lines in the drawings depict portions of the dish rack that form no part of the claimed design.

**1 Claim, 8 Drawing Sheets**



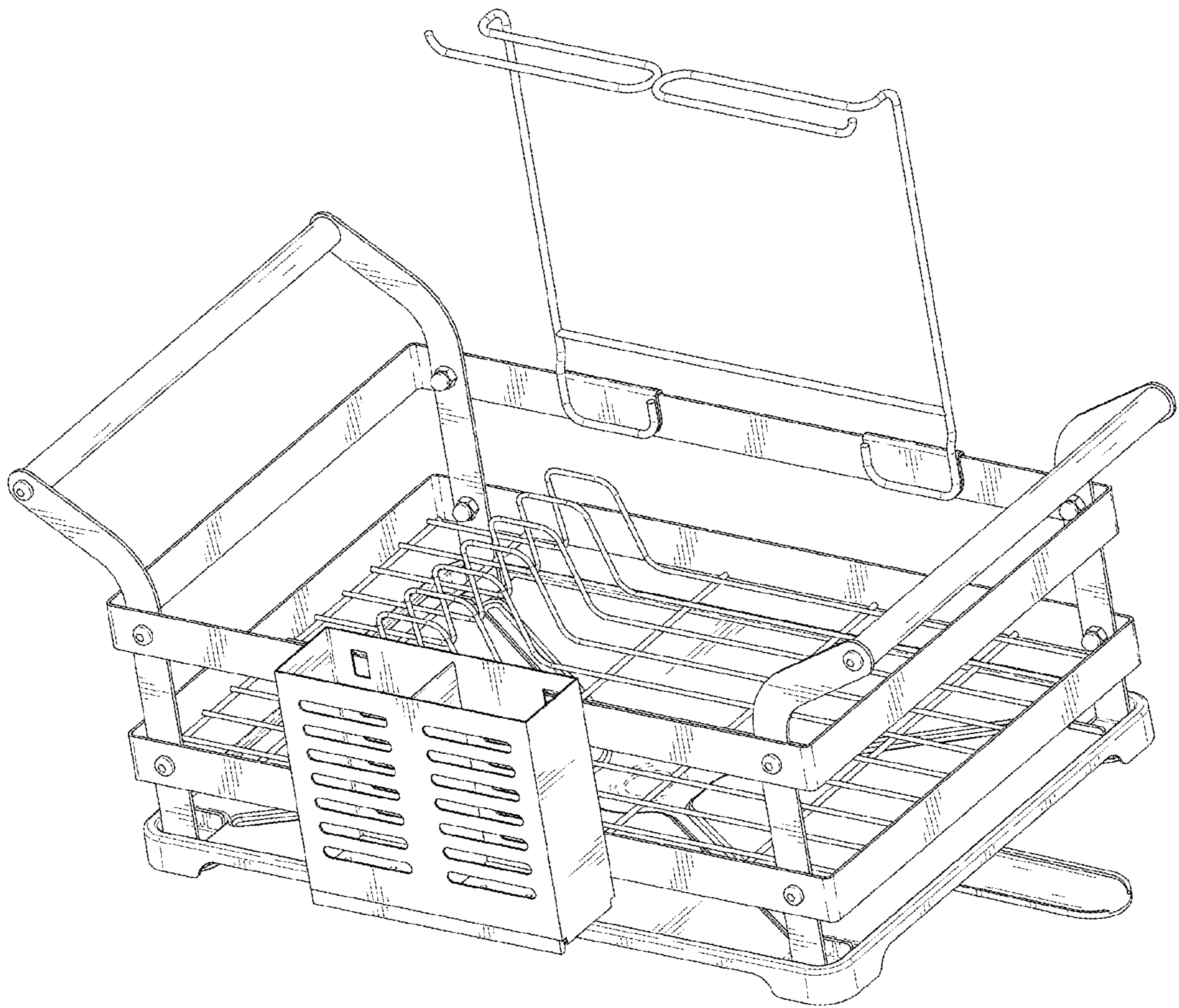


FIG. 1

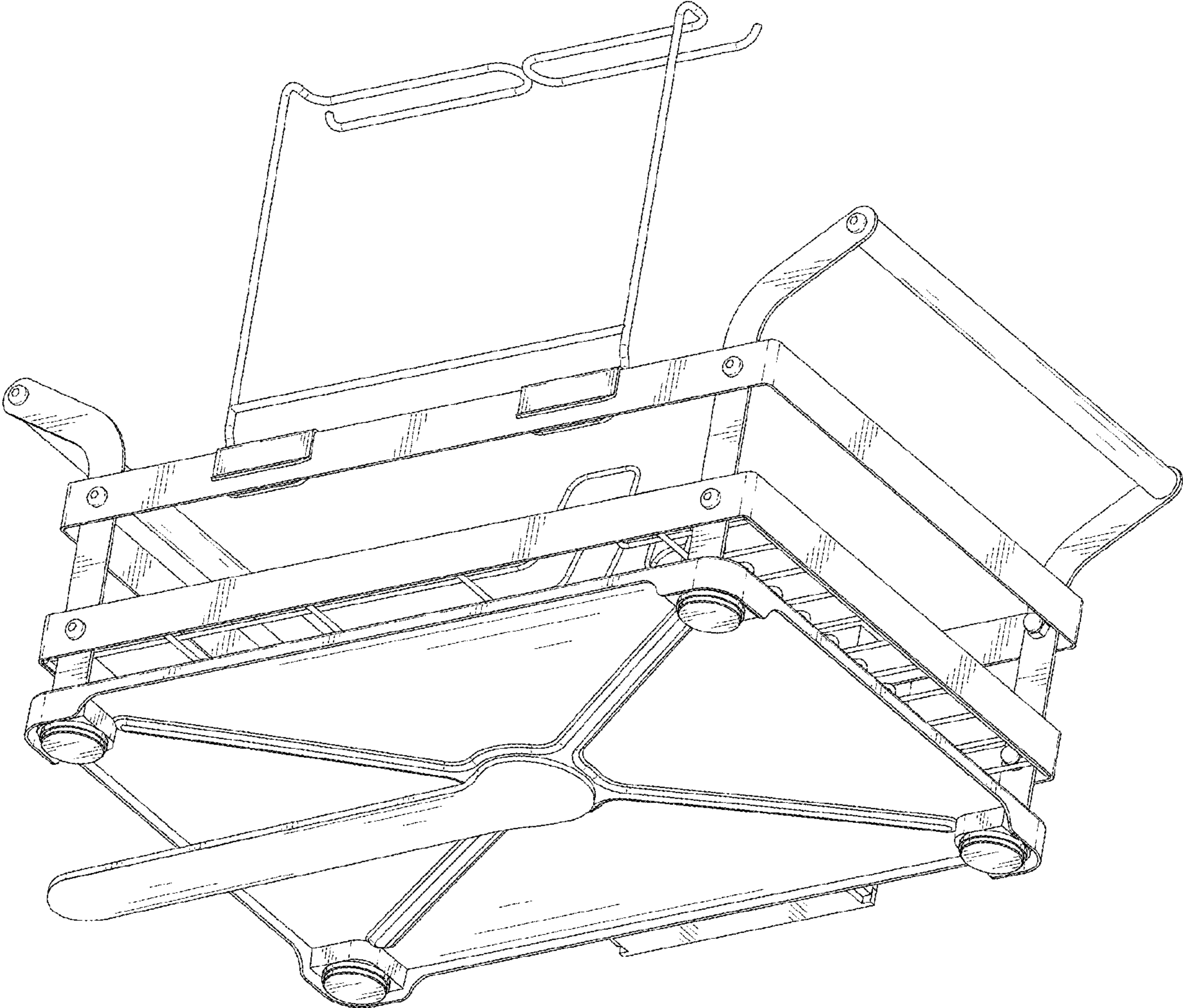


FIG. 2

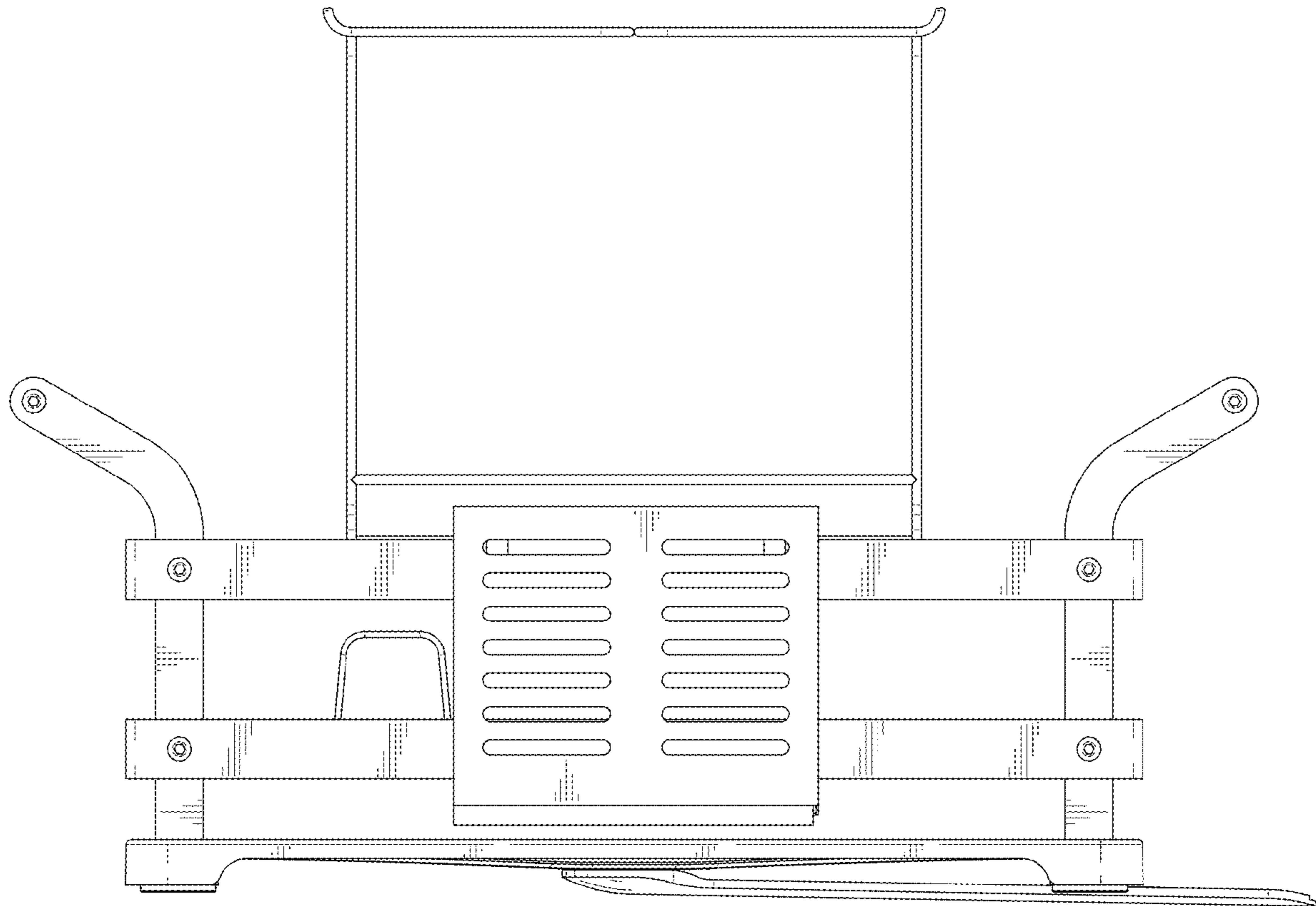


FIG. 3

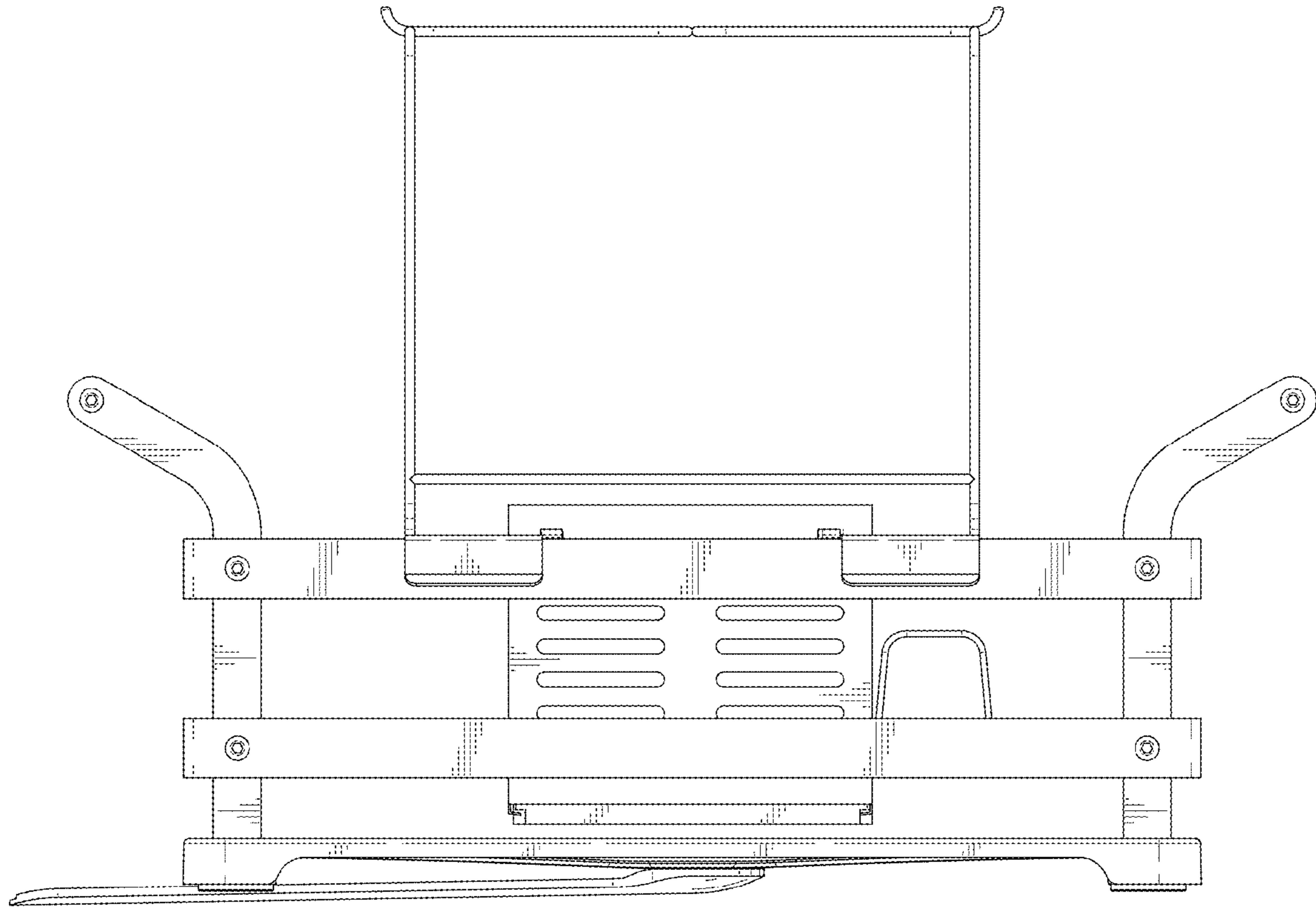


FIG. 4

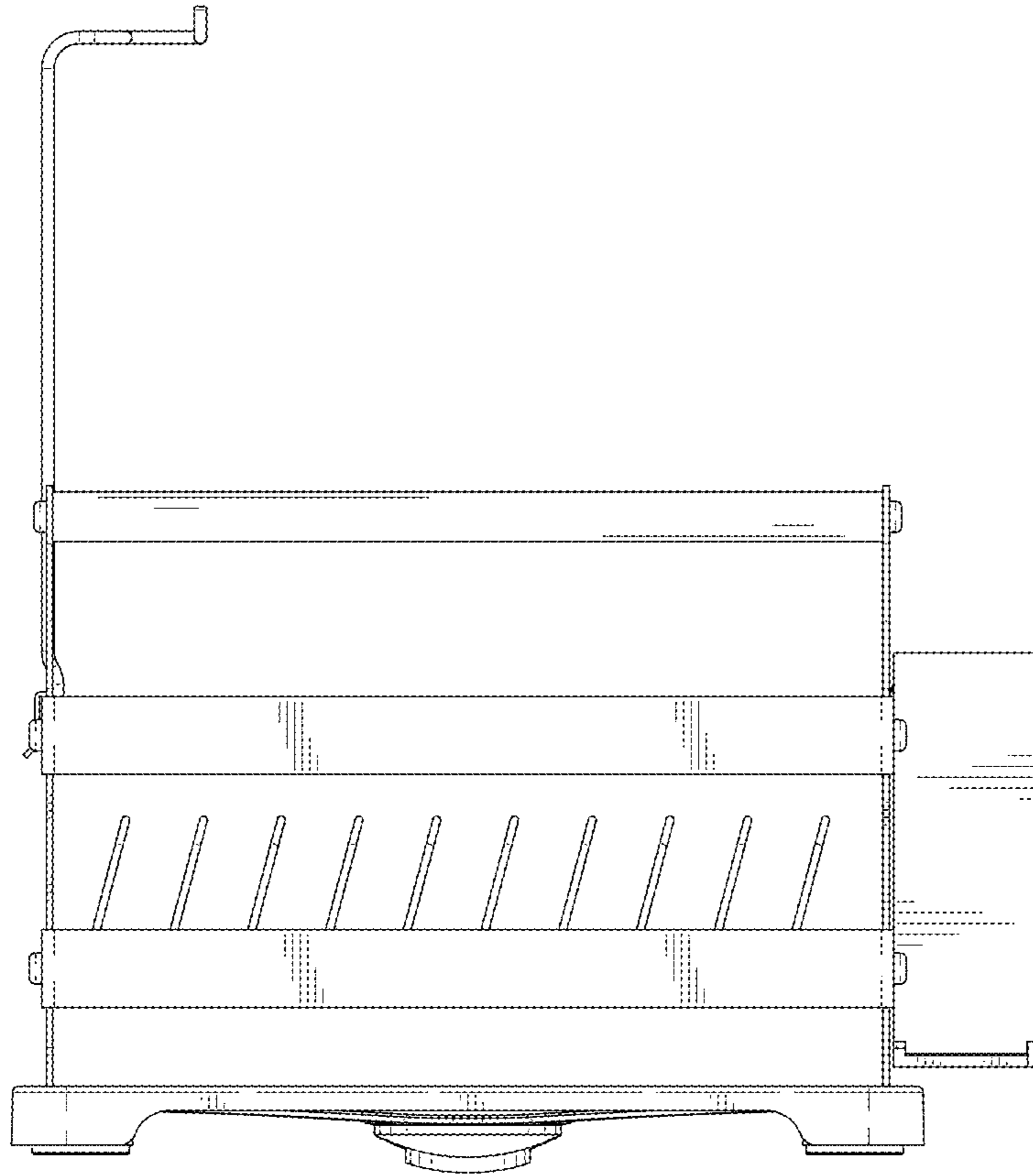


FIG. 5

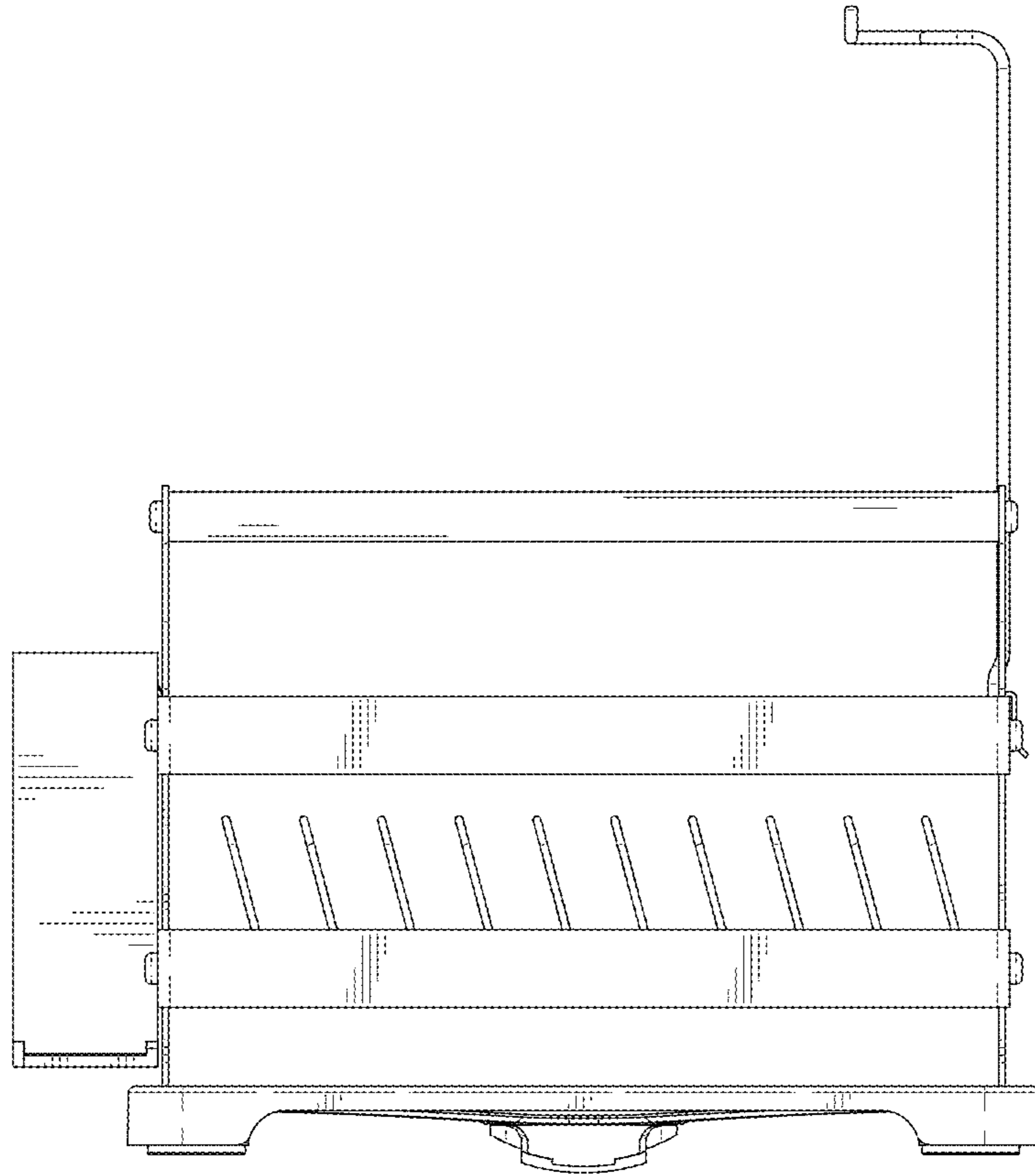


FIG. 6

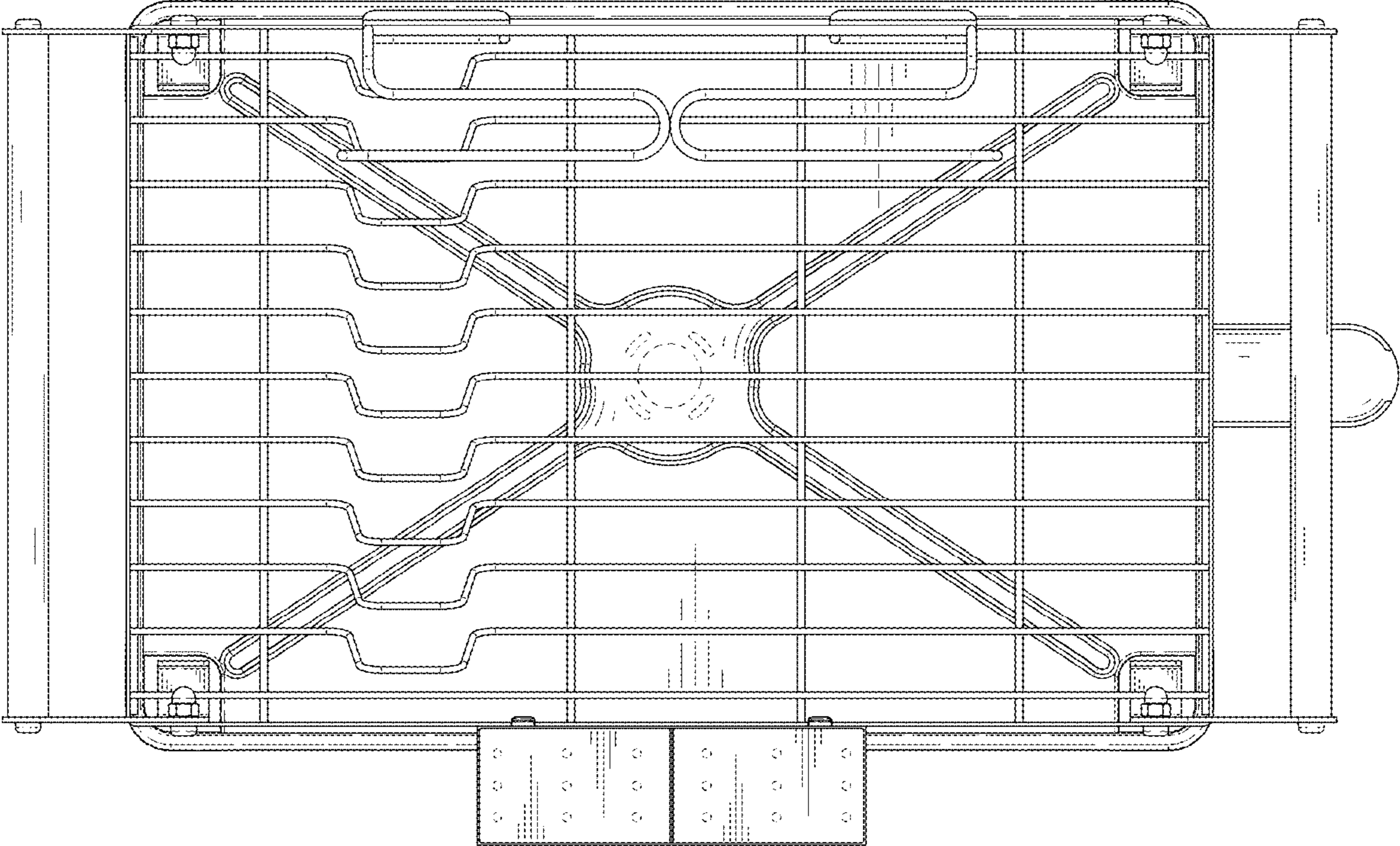


FIG. 7



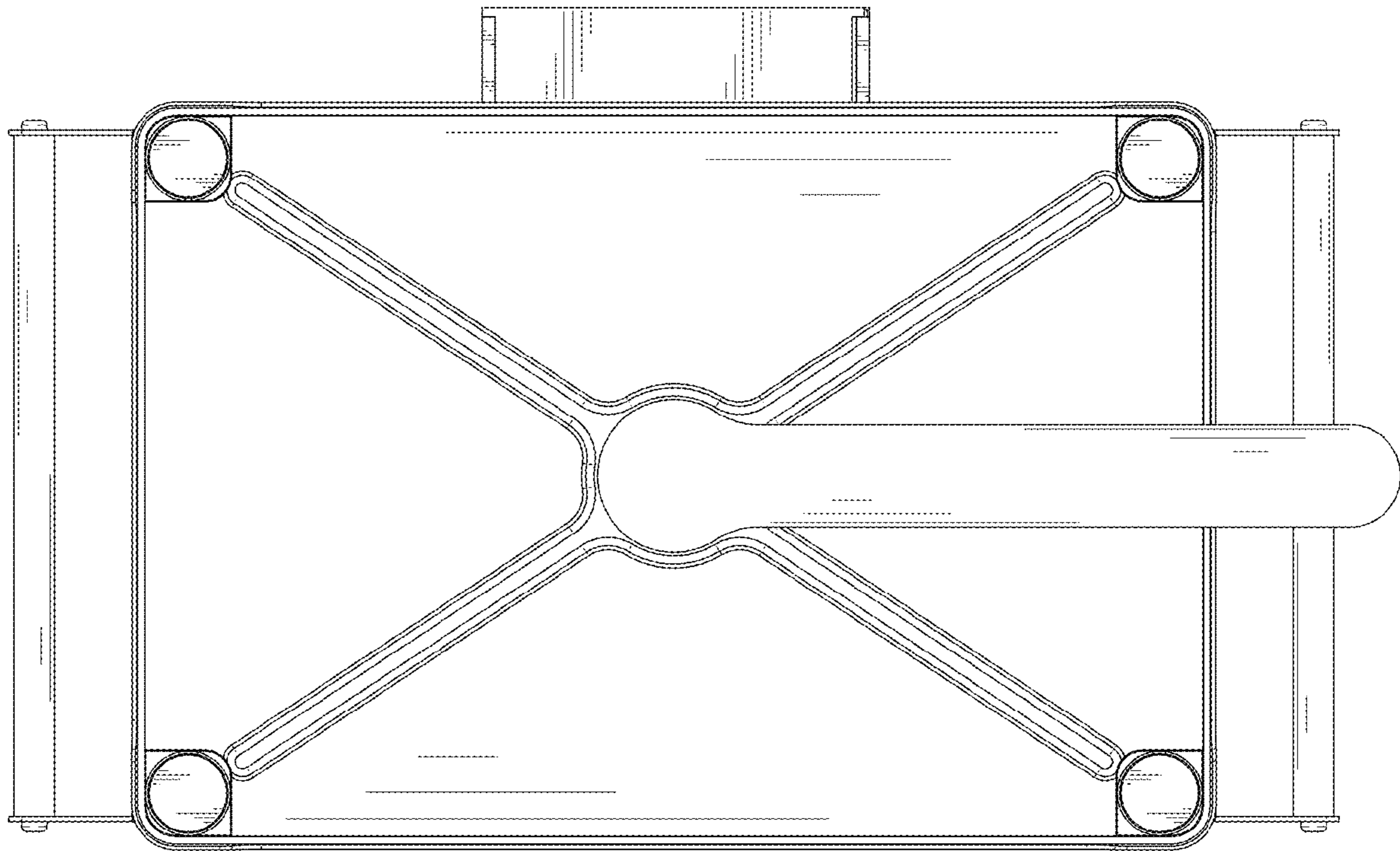


FIG. 8