



US00D957778S

(12) **United States Design Patent**  
**Zang**

(10) **Patent No.:** **US D957,778 S**  
(45) **Date of Patent:** **\*\* Jul. 12, 2022**

- (54) **SINK DISH DRYING RACK**
- (71) Applicant: **Qionghua Zang**, Jingzhou (CN)
- (72) Inventor: **Qionghua Zang**, Jingzhou (CN)
- (\*\*) Term: **15 Years**
- (21) Appl. No.: **29/796,581**
- (22) Filed: **Jun. 25, 2021**
- (51) **LOC (13) Cl.** ..... **07-05**
- (52) **U.S. Cl.**  
USPC ..... **D32/55**
- (58) **Field of Classification Search**  
USPC ..... D32/55-59; D30/133; D6/525  
CPC ..... A47L 19/00; A47L 19/02; A47L 17/00;  
A47L 17/04; A47J 47/20; A47J 2201/00;  
A47J 47/00; B65D 35/02  
See application file for complete search history.

D930,930 S \* 9/2021 Tan ..... D32/55  
D931,568 S \* 9/2021 Padgett ..... D32/55  
D939,167 S \* 12/2021 Fan ..... D32/55

FOREIGN PATENT DOCUMENTS

CN 307147103 \* 3/2022

OTHER PUBLICATIONS

Amazon.co.uk Kingrack [https://www.amazon.co.uk/Kingrack-Capacity-Organize-Countertop-Supplies/dp/B082XP987N/ref=sr\\_1\\_37](https://www.amazon.co.uk/Kingrack-Capacity-Organize-Countertop-Supplies/dp/B082XP987N/ref=sr_1_37) (Year: 2019).\*

Amazon.co.uk Over the sink dish drying rack [https://www.amazon.co.uk/dp/B092VX5748/ref=sspa\\_dk\\_detail\\_1](https://www.amazon.co.uk/dp/B092VX5748/ref=sspa_dk_detail_1) (Year: 2021).\*

\* cited by examiner

*Primary Examiner* — Michelle E. Wilson  
*Assistant Examiner* — Richard E Yenchesky

(57) **CLAIM**

The ornamental design for a sink dish drying rack, as shown and described.

(56) **References Cited**

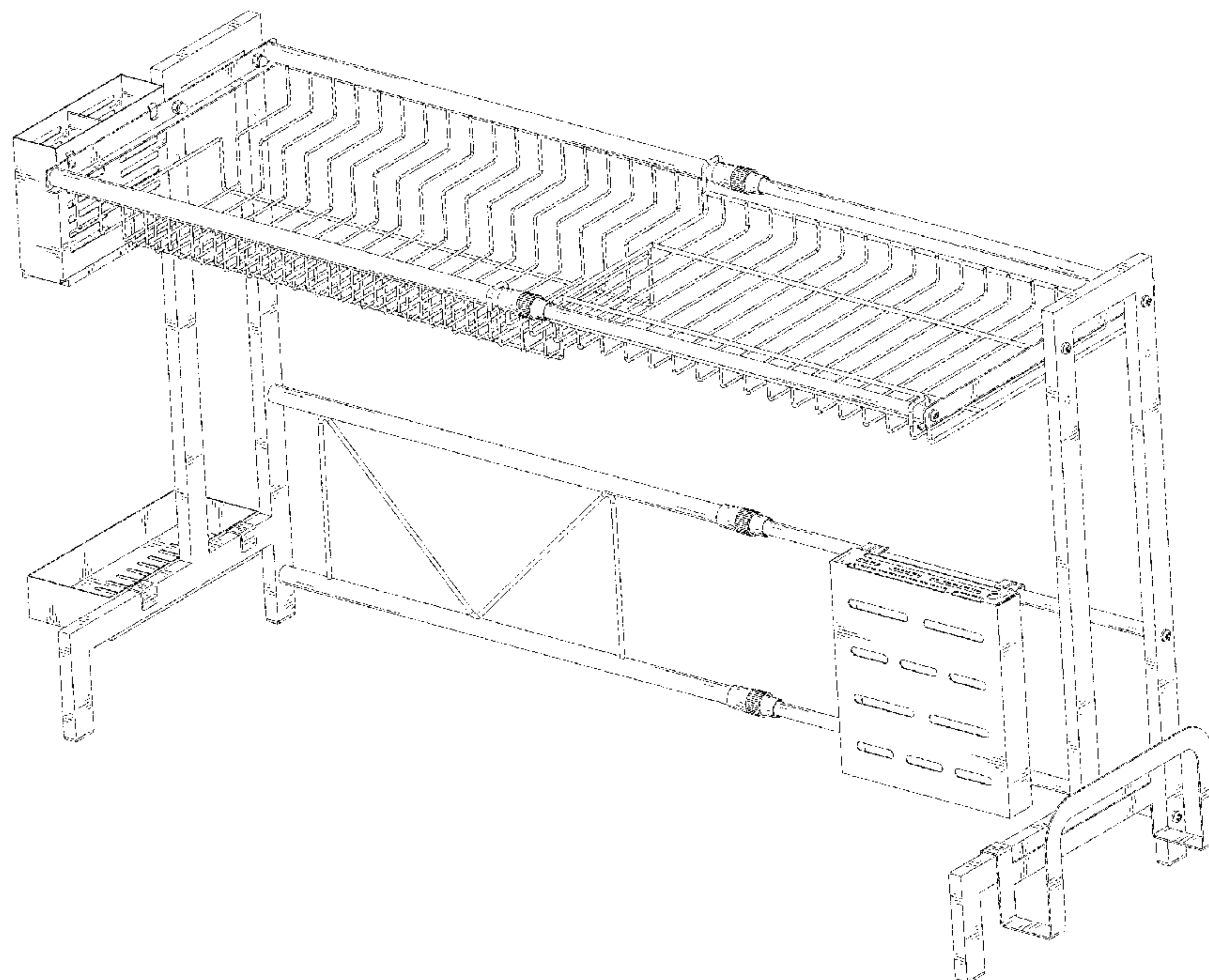
U.S. PATENT DOCUMENTS

- D389,336 S \* 1/1998 Moore ..... D6/650
- D630,397 S \* 1/2011 Molayem ..... D6/678.4
- D630,813 S \* 1/2011 Molayem ..... D32/55
- D862,822 S \* 10/2019 Zhao ..... D32/55
- D862,823 S \* 10/2019 Zhao ..... D32/55
- D871,703 S 12/2019 Huang
- D882,199 S \* 4/2020 Cao ..... D32/55
- D899,722 S \* 10/2020 Yang ..... D32/55
- D903,216 S 11/2020 Xie
- D911,253 S \* 2/2021 Wang ..... D12/406
- D915,148 S \* 4/2021 Li ..... D7/600.4
- D921,320 S \* 6/2021 Hu ..... D32/55
- D922,715 S \* 6/2021 Li ..... D32/55
- D928,442 S \* 8/2021 Zhan ..... D32/55

**DESCRIPTION**

FIG. 1 is a perspective view of a sink dish drying rack showing my new design;  
FIG. 2 is another perspective view thereof;  
FIG. 3 is a front elevational view thereof;  
FIG. 4 is a rear elevational view thereof;  
FIG. 5 is a left side elevational view thereof;  
FIG. 6 is a right side elevational view thereof;  
FIG. 7 is a top plan view thereof; and,  
FIG. 8 is a bottom plan view thereof.  
The broken lines in the drawings depict portions of the sink dish drying rack that form no part of the claimed design.

**1 Claim, 8 Drawing Sheets**



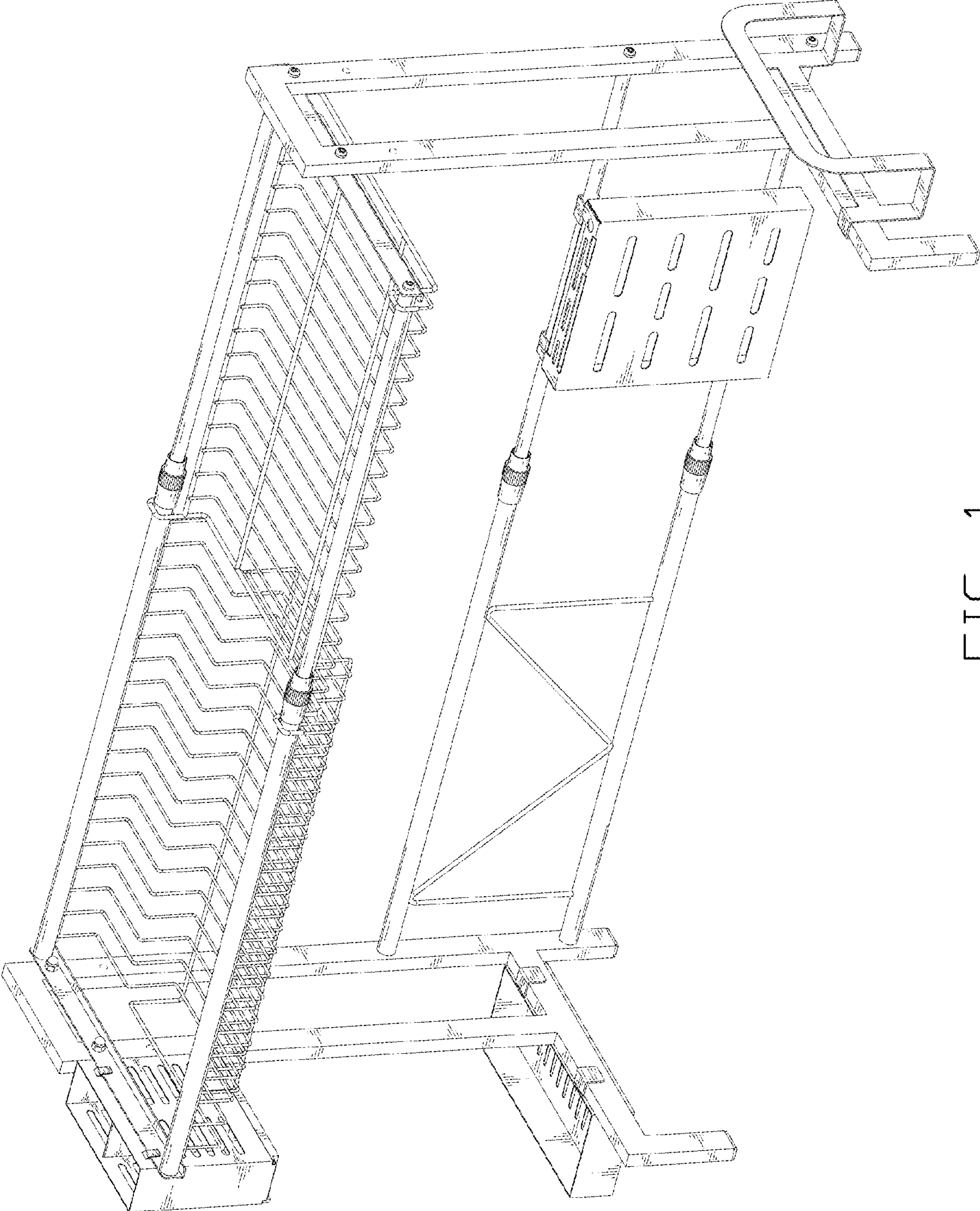


FIG. 1



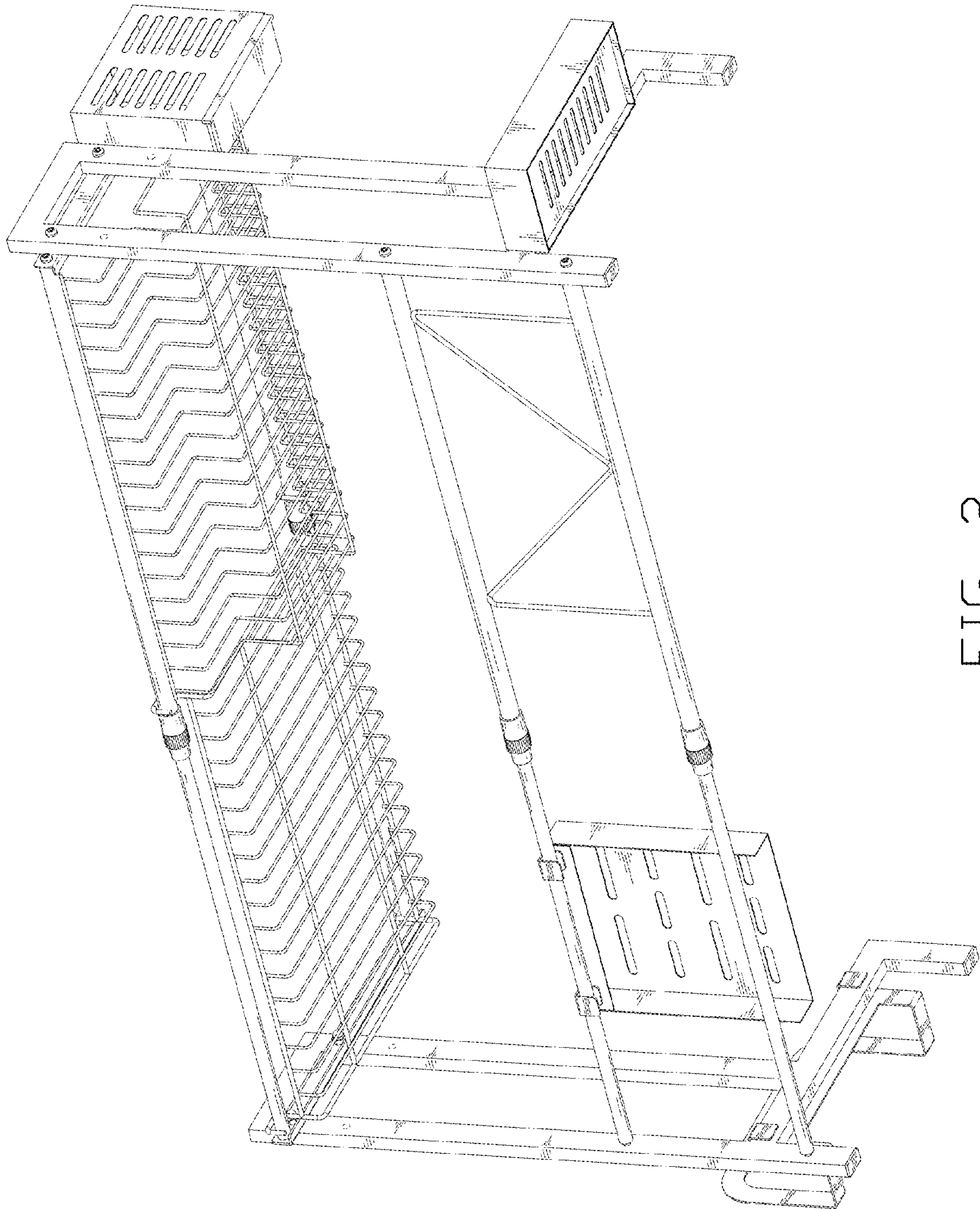


FIG. 2

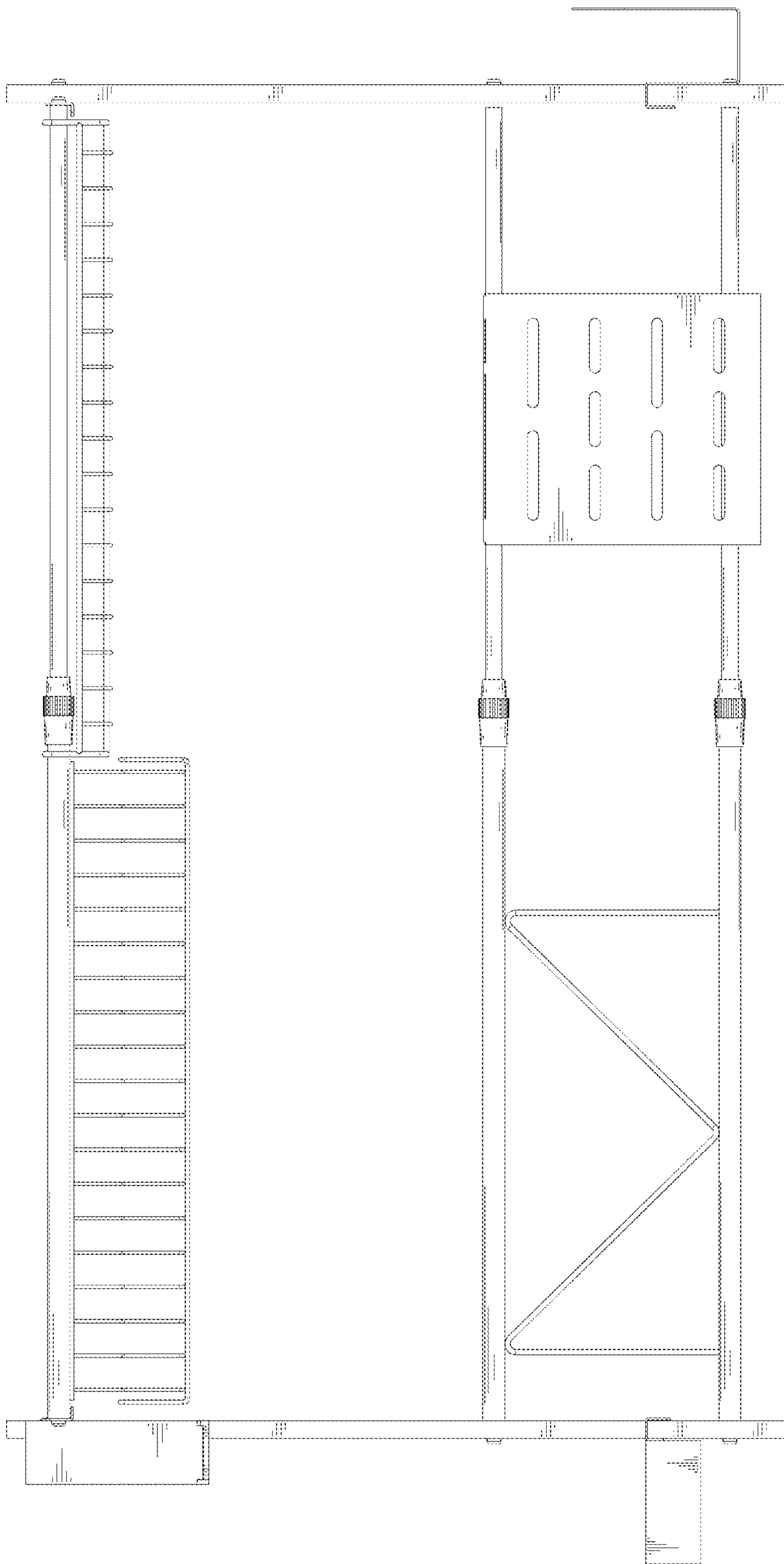


FIG. 3

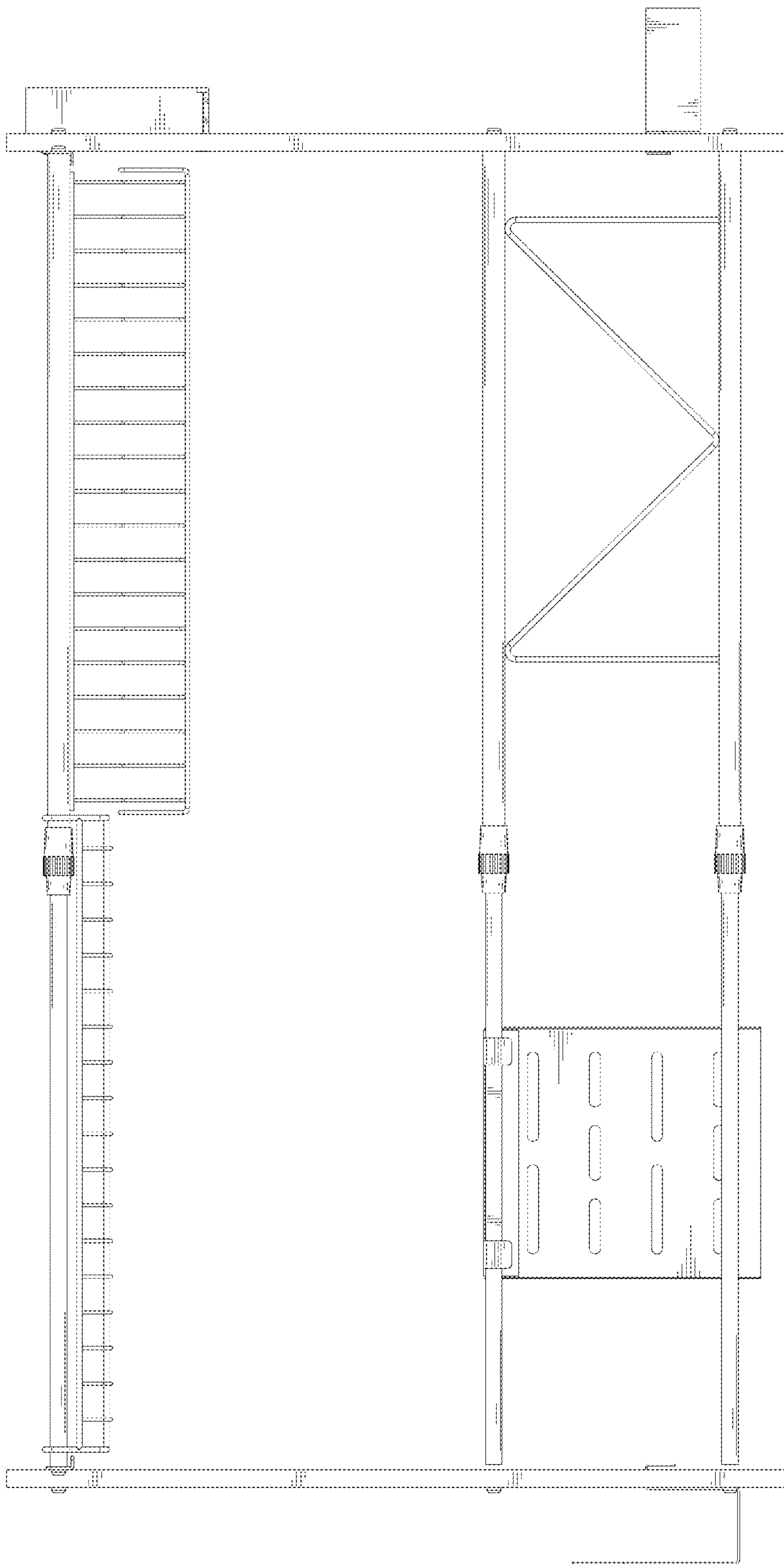


FIG. 4

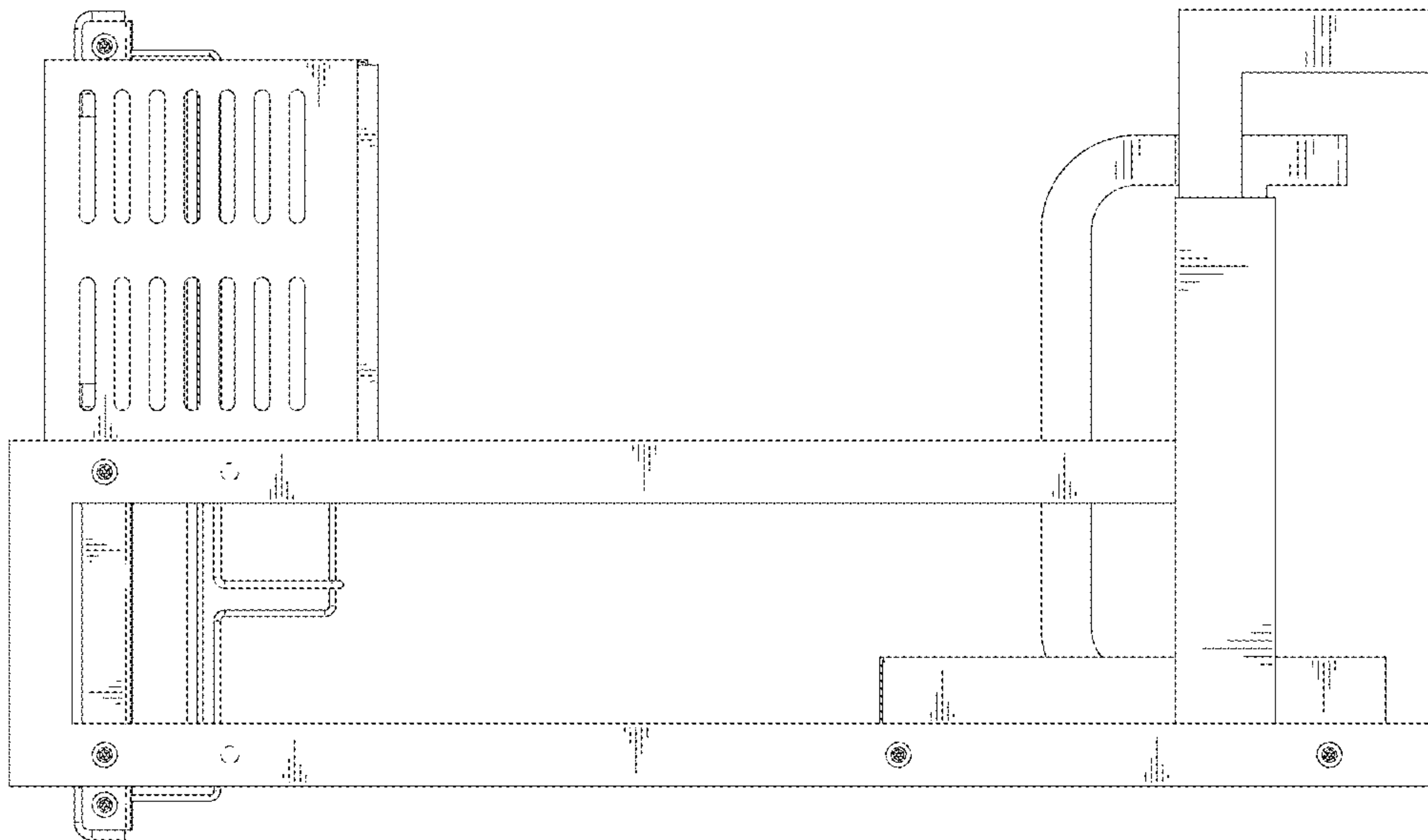


FIG. 5

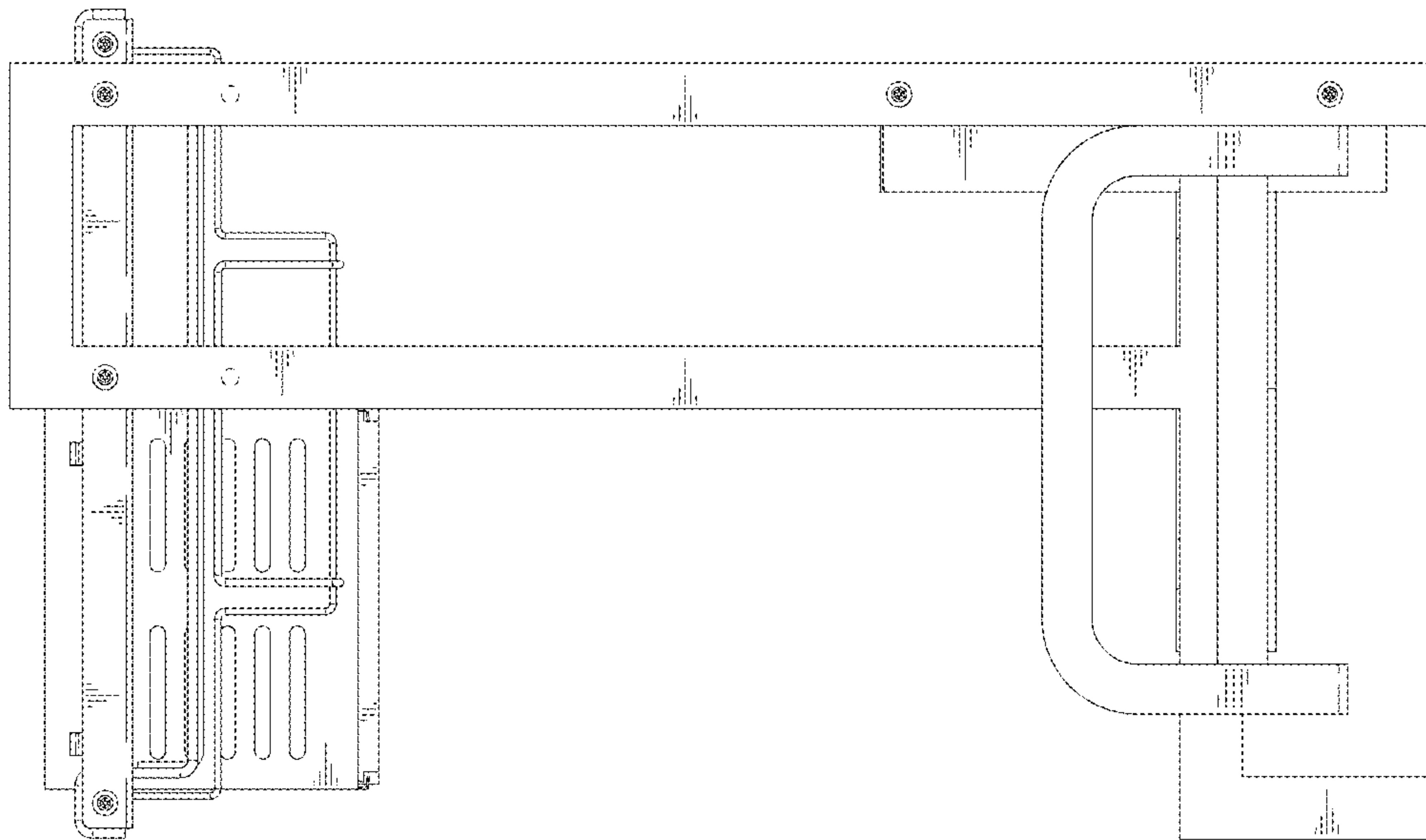


FIG. 6



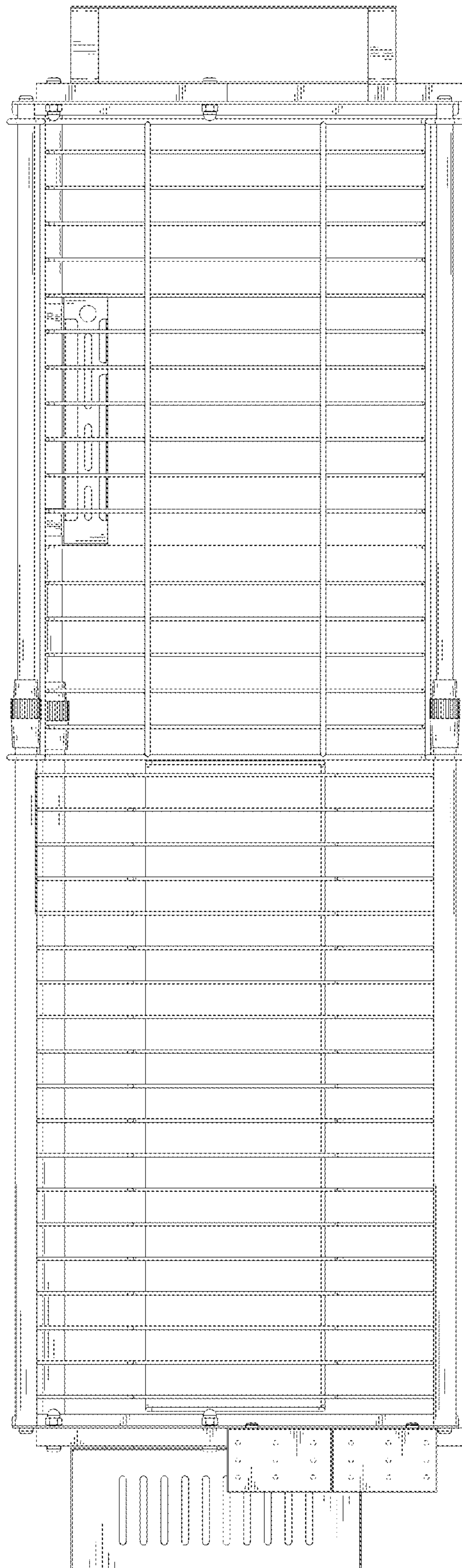


FIG. 7



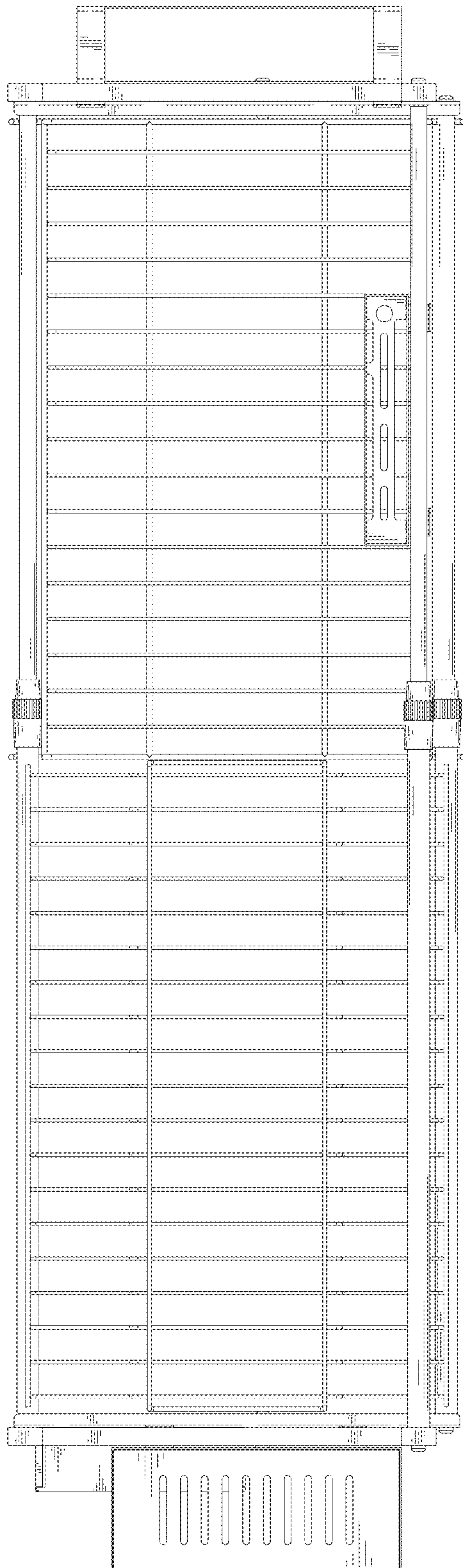


FIG. 8