



US00D957775S

(12) **United States Design Patent**  
**Lien**

(10) **Patent No.:** **US D957,775 S**

(45) **Date of Patent:** **\*\* Jul. 12, 2022**

(54) **DISH DRYING RACK**

(71) Applicant: **Chen-Yu Lien**, Yuyao (CN)

(72) Inventor: **Chen-Yu Lien**, Yuyao (CN)

(73) Assignee: **Ningbo Chsirga Metal Products Co., Ltd.**, Yuyao (CN)

(\*\*) Term: **15 Years**

(21) Appl. No.: **29/761,555**

(22) Filed: **Dec. 10, 2020**

(51) **LOC (13) Cl.** ..... **07-05**

(52) **U.S. Cl.**  
USPC ..... **D32/55**

(58) **Field of Classification Search**  
USPC ..... D6/525; D30/133; D32/55-59  
CPC ..... A47L 19/00; A47L 19/02; A47L 17/00;  
A47L 17/04; A47J 47/20; A47J 2201/00;  
A47J 47/00; B65D 35/02  
See application file for complete search history.

(56) **References Cited**

**U.S. PATENT DOCUMENTS**

D320,681 S *	10/1991	Boula	.....	D32/55
D630,397 S *	1/2011	Molayem	.....	D6/678.4
D679,880 S *	4/2013	Wen	.....	D32/55
9,649,010 B2 *	5/2017	Oh	.....	A47J 47/16
D814,730 S *	4/2018	Cooper	.....	D32/55
D862,823 S *	10/2019	Zhao	.....	D32/55
D871,009 S *	12/2019	Sanduri Cohen	.....	D32/55
D897,063 S *	9/2020	Green	.....	D32/55
D899,722 S *	10/2020	Yang	.....	D32/55
D903,216 S *	11/2020	Xie	.....	D32/55

10,835,101 B2 *	11/2020	Singh	.....	A47L 9/2805
D915,708 S *	4/2021	Tang	.....	D32/55
D921,320 S *	6/2021	Hu	.....	D32/55
D928,442 S *	8/2021	Zhan	.....	D32/55
D930,930 S *	9/2021	Tan	.....	D32/55

**FOREIGN PATENT DOCUMENTS**

CN	306500993	*	4/2021
CN	306608852	*	6/2021
GB	6143809	*	6/2021

**OTHER PUBLICATIONS**

Swiss Colony.com 2-tier dish rack <https://www.swisscolony.com/p/2-tier-dish-rack-48-665244.html> (Year: 2019).\*

\* cited by examiner

*Primary Examiner* — Michelle E. Wilson  
*Assistant Examiner* — Richard E Yenchesky

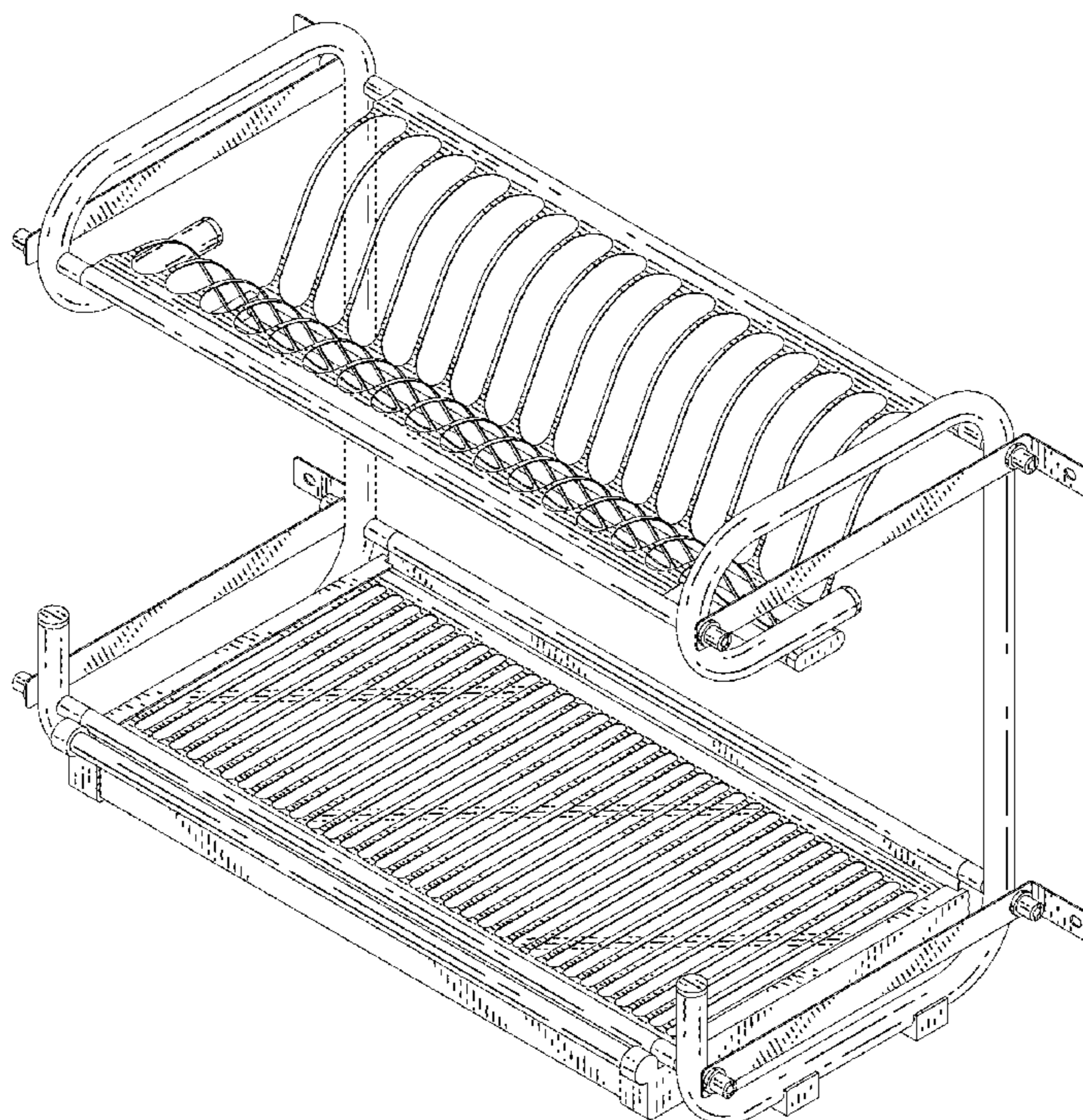
(57) **CLAIM**

The ornamental design for a dish drying rack, as shown and described.

**DESCRIPTION**

FIG. 1 is a perspective view of a dish drying rack showing my new design;  
FIG. 2 is a front elevation view thereof;  
FIG. 3 is a rear elevation view thereof;  
FIG. 4 is a left side elevation view thereof;  
FIG. 5 is a right side elevation view thereof;  
FIG. 6 is a top plan view thereof; and,  
FIG. 7 is a bottom plan view thereof.  
The broken lines in the drawings illustrate portions of the dish drying rack that form no part of the claimed design.

**1 Claim, 7 Drawing Sheets**





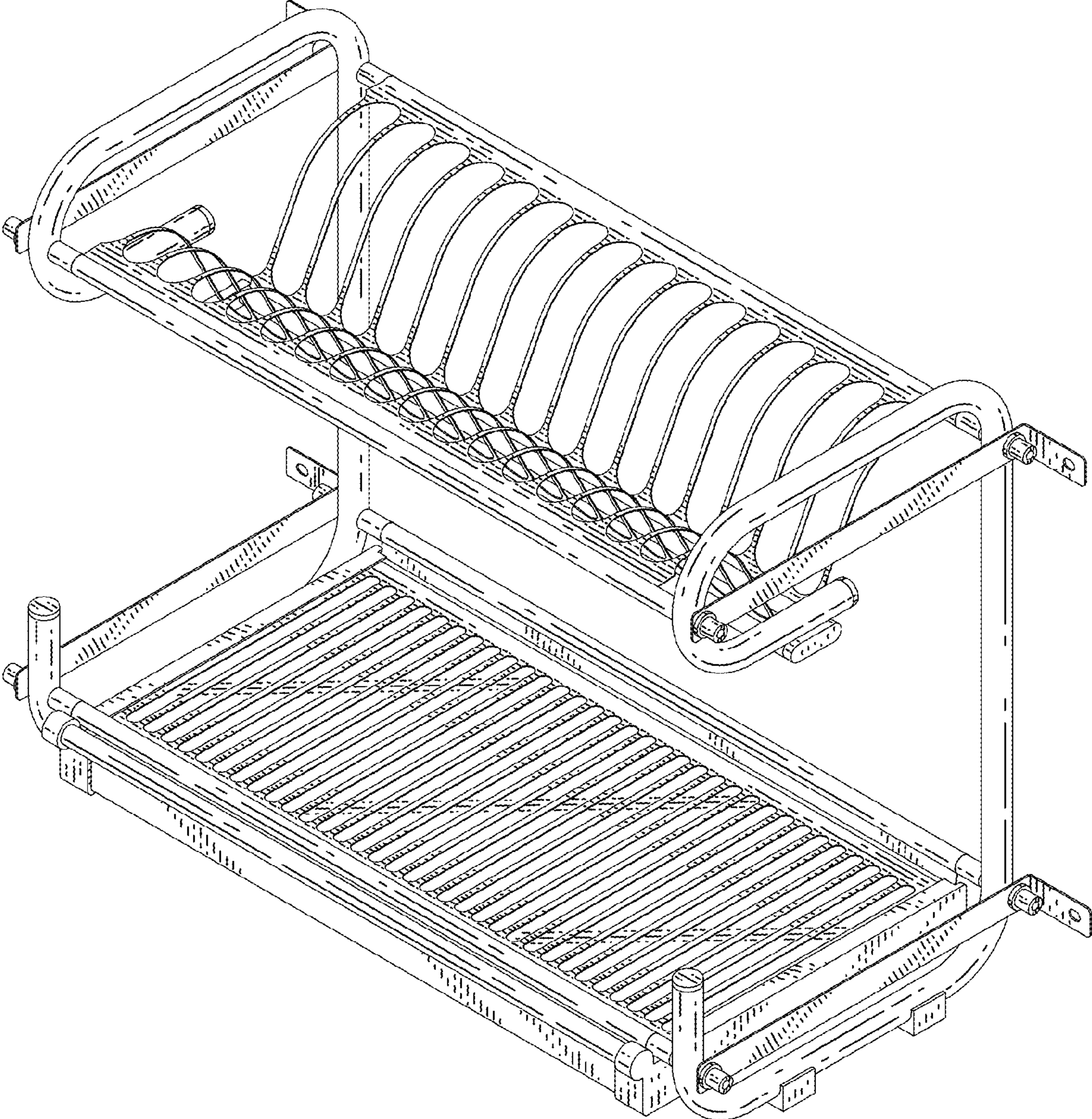


FIG. 1

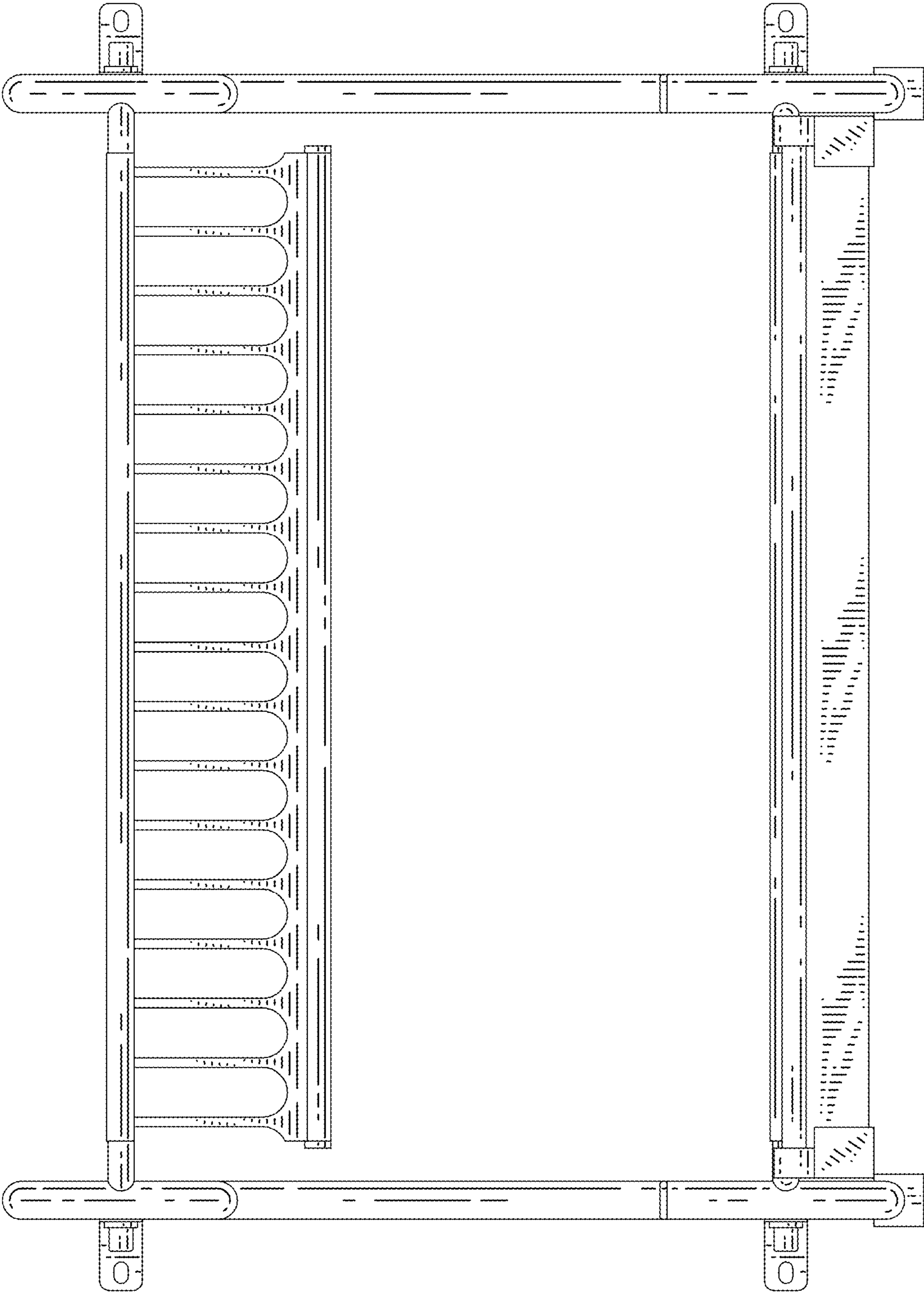


FIG. 2

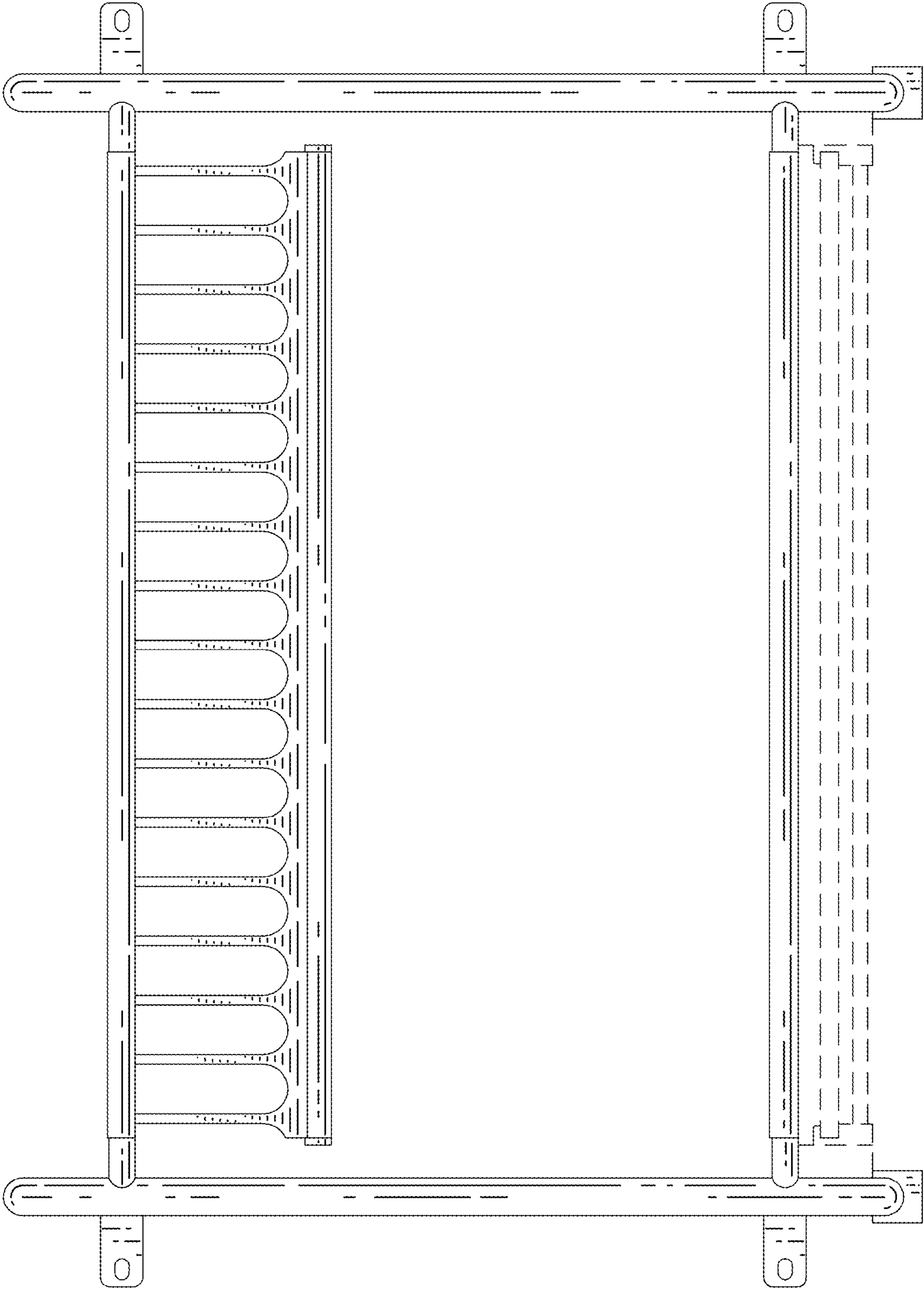


FIG. 3







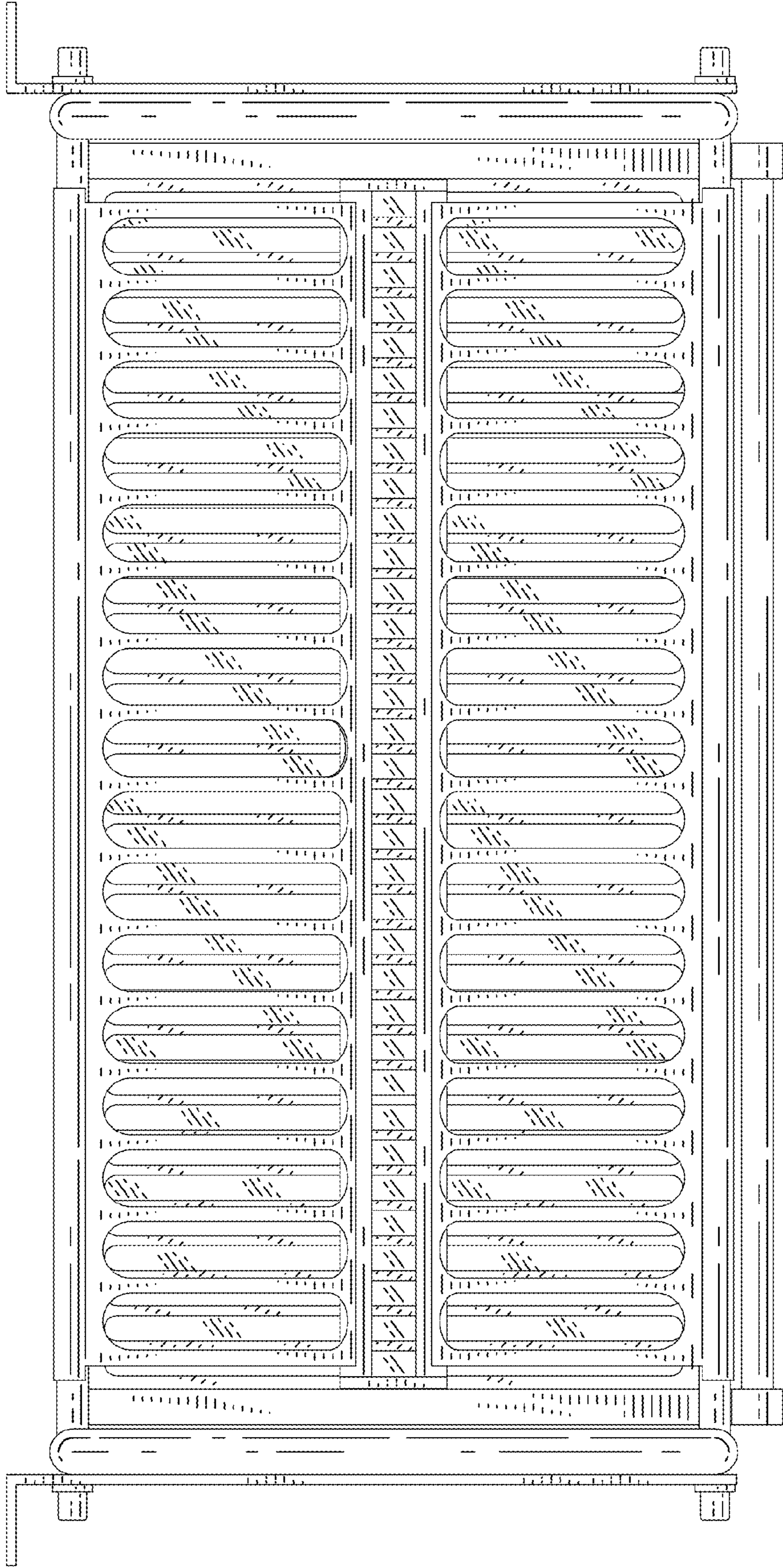


FIG. 6

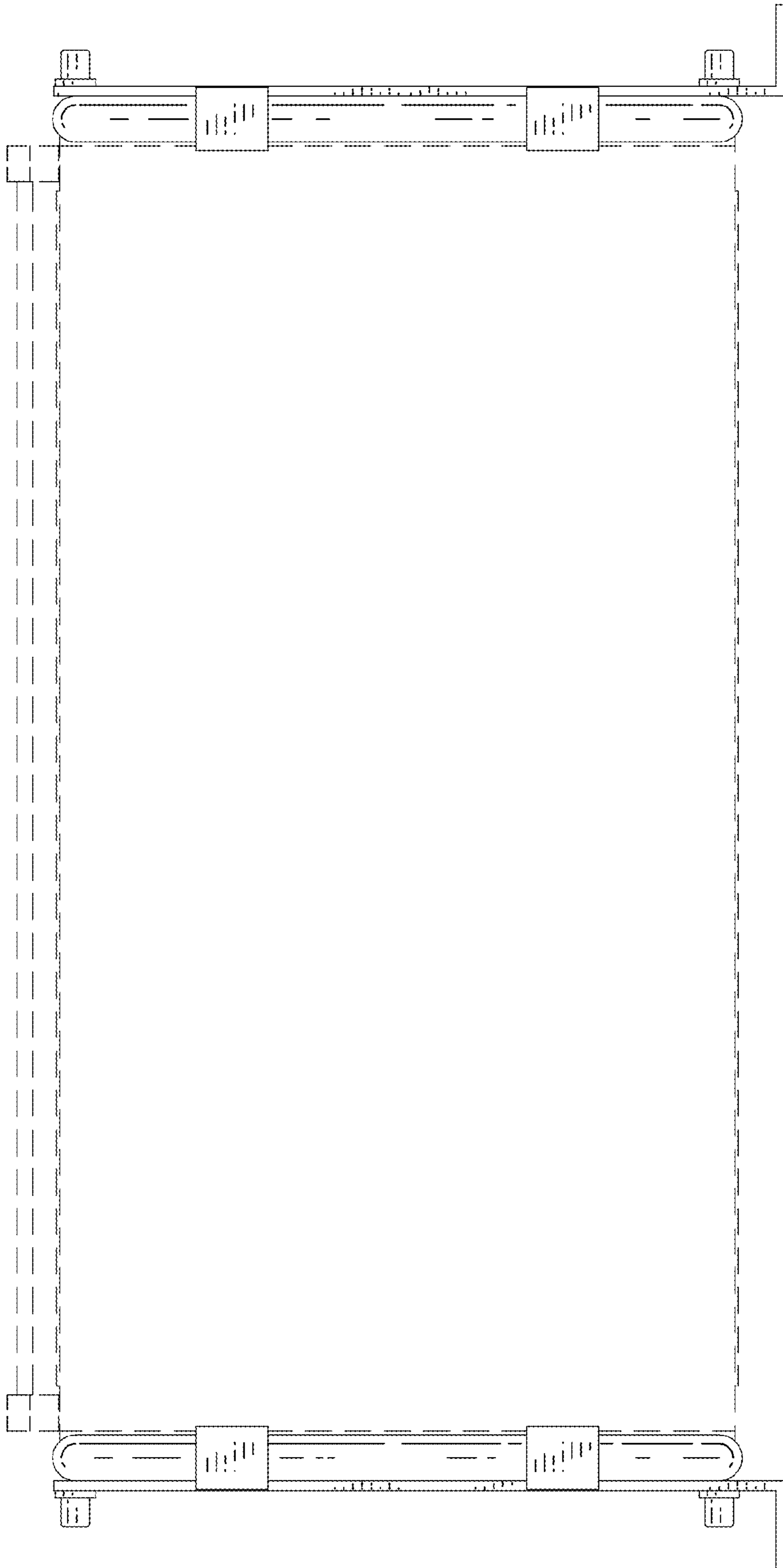


FIG. 7