



US00D957774S

(12) **United States Design Patent**
Han

(10) **Patent No.:** **US D957,774 S**
(45) **Date of Patent:** **** Jul. 12, 2022**

(54) **NESTING, DISH DRYING RACK**

DESCRIPTION

(71) Applicant: **Barenthal North America, Inc.**,
Whippany, NJ (US)

(72) Inventor: **Hongyuan Han**, New Vernon, NJ (US)

(**) Term: **15 Years**

(21) Appl. No.: **29/672,538**

(22) Filed: **Dec. 6, 2018**

(51) **LOC (13) Cl.** **07-05**

(52) **U.S. Cl.**
USPC **D32/55**

(58) **Field of Classification Search**

USPC D32/55, 276, 3; D6/510, 525; D30/133;
211/41.5, 41.4, 41.3, 41.8; 361/679.4;
312/311, 333, 334.4; D7/354, 629

CPC A47J 47/20; A47J 2201/00; A47J 47/00;
B65D 35/02; B65D 35/22; B65D 35/56

See application file for complete search history.

(56) **References Cited**

U.S. PATENT DOCUMENTS

D599,067 S *	8/2009	Yang	D32/55
D599,069 S *	8/2009	Curtin	D32/55
D601,768 S *	10/2009	Moon	D32/53.1
D647,678 S *	10/2011	Yang	D32/55
D667,190 S *	9/2012	Miller	D32/55
D677,443 S *	3/2013	Urdaneta	D32/55
D690,069 S *	9/2013	Sofy	D32/55

(Continued)

Primary Examiner — Austin Murphy

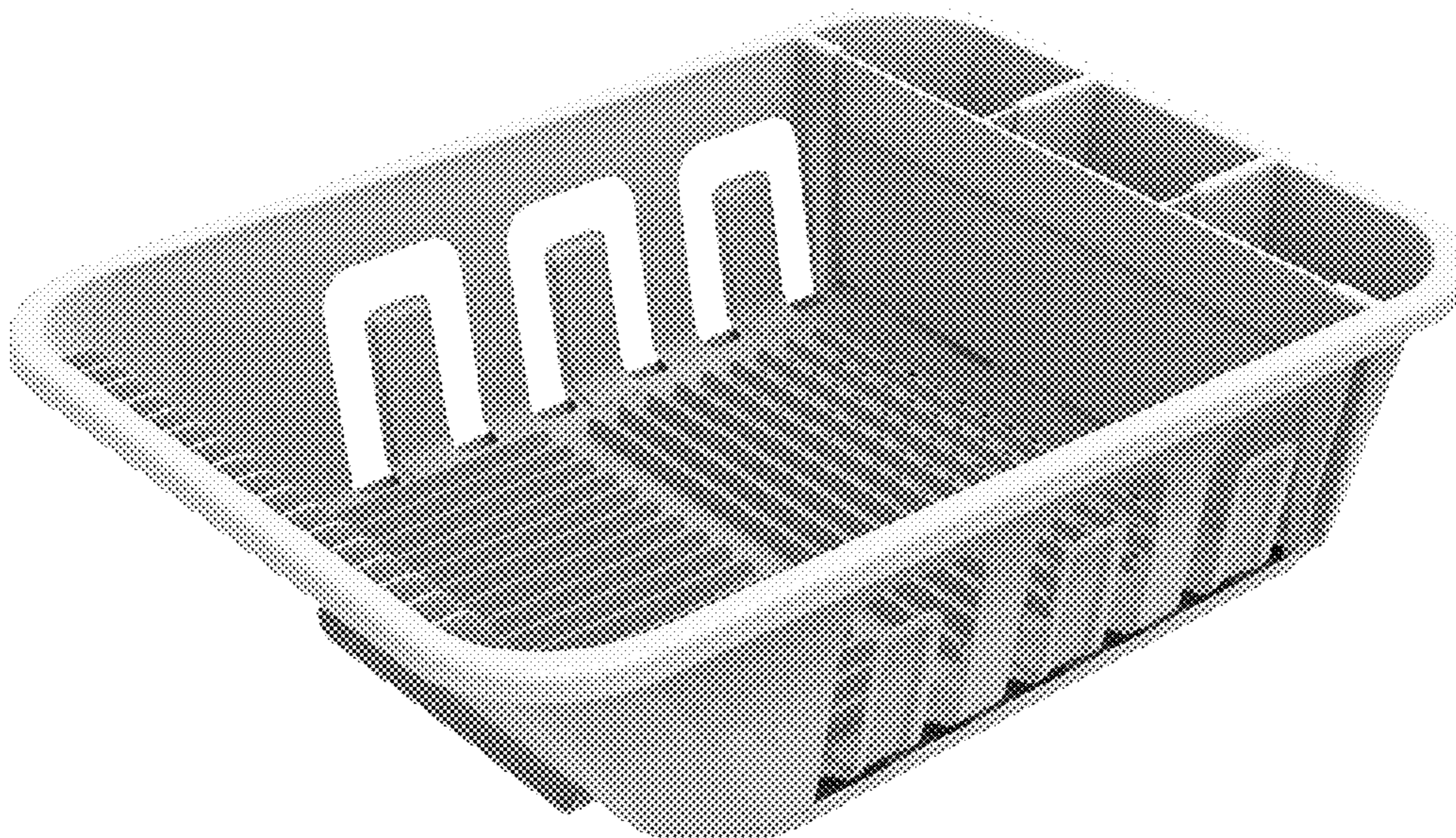
(74) *Attorney, Agent, or Firm* — Preti Flaherty Beliveau
& Pachios LLP

(57) **CLAIM**

The ornamental design for a nesting dish drying rack, as shown and described.

FIG. 1 is an upper-front-right perspective view of a nesting, dish drying rack in a first configuration according to the present invention, the upper-front-left view being significantly reciprocal of the upper-front-right view, wherein the first configuration is one where a movable divider is raised; FIG. 2 is another upper-front-right perspective view of the nesting, dish drying rack of FIG. 1 in a second configuration, the upper-front-left view being significantly reciprocal of this upper-front-right view, wherein the second configuration is one where the movable divider is lowered; FIG. 3 is an upper-back-right view of the nesting, dish drying rack of FIG. 1 in the first configuration, the upper-back-left view being significantly reciprocal of the upper-back-right view; FIG. 4 is a further upper-front-right perspective view of the nesting, dish drying rack of FIG. 1 in the second configuration, the upper-front-left view being significantly reciprocal of this upper-front-right view; FIG. 5 is a bottom-back-left view of the nesting, dish drying rack of FIG. 1, the bottom-back-right view being significantly reciprocal of the bottom-back-left view; FIG. 6 is a left view of the nesting, dish drying rack of FIG. 1 in the first configuration, the right view being significantly reciprocal of the left view; FIG. 7 is a front view of the nesting, dish drying rack of FIG. 1; FIG. 8 is an upper view of the nesting, dish drying rack of FIG. 1 in the first configuration; FIG. 9 is an upper-front-left view of two of the nesting, dish drying racks of FIG. 1 in the second configuration, the upper-front-right view being significantly reciprocal of this upper-front-left view, wherein the two nesting, dish drying racks are nested; and, FIG. 10 is an upper-front-right view of the two nesting, dish drying racks of FIG. 1 in the second configuration and nested as in FIG. 9, the upper-front-left view being significantly reciprocal of this upper-front-right view.

1 Claim, 5 Drawing Sheets



(56)

References Cited

U.S. PATENT DOCUMENTS

D714,508 S *	9/2014	Joy	D32/55
D766,530 S *	9/2016	Kent	D32/55
D783,216 S *	4/2017	Huang	D32/55
D822,929 S *	7/2018	Kim	D32/55
D919,218 S *	5/2021	Asis	D32/55
D921,318 S *	6/2021	Ling	D32/55

* cited by examiner

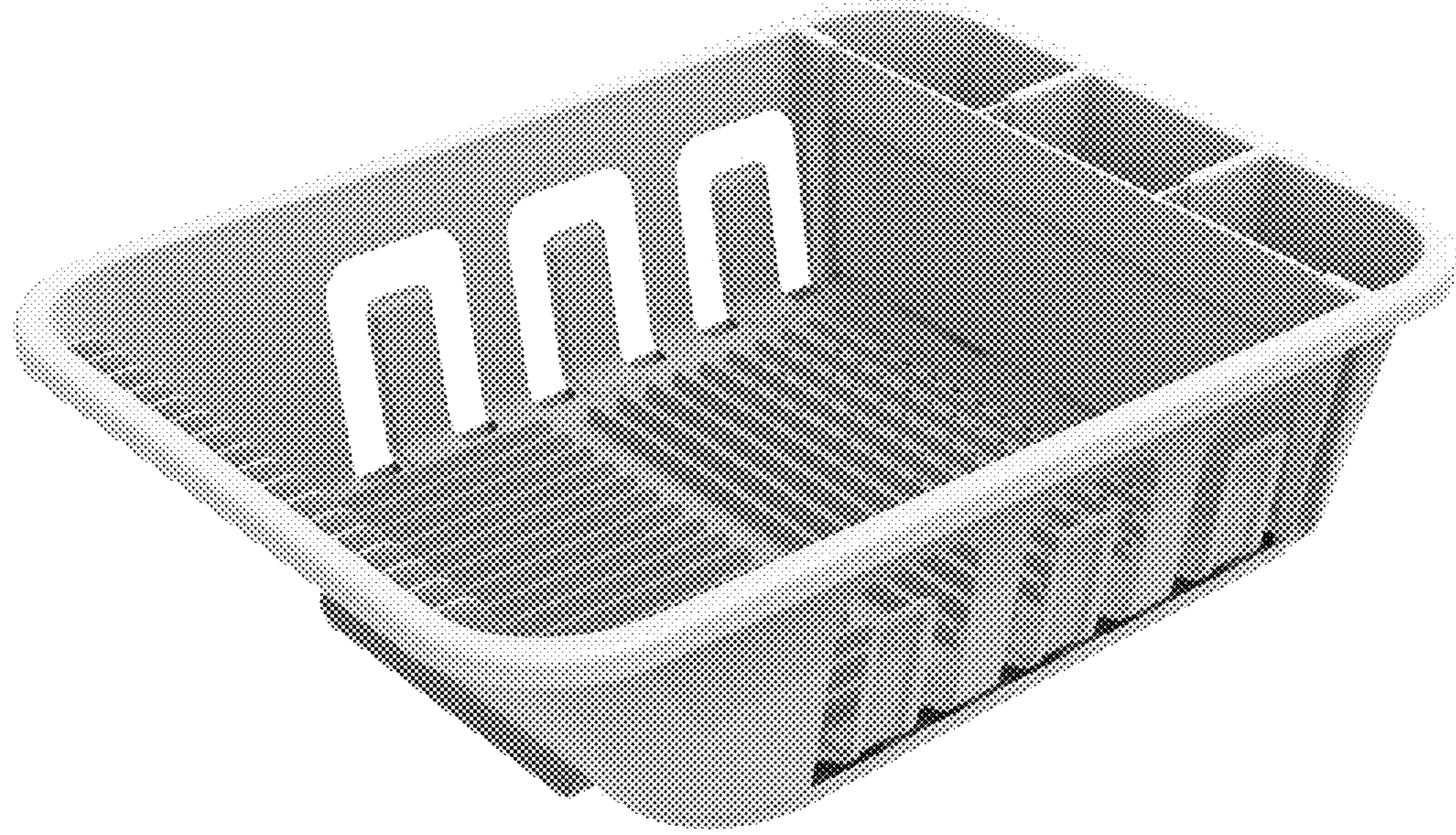


Fig. 1

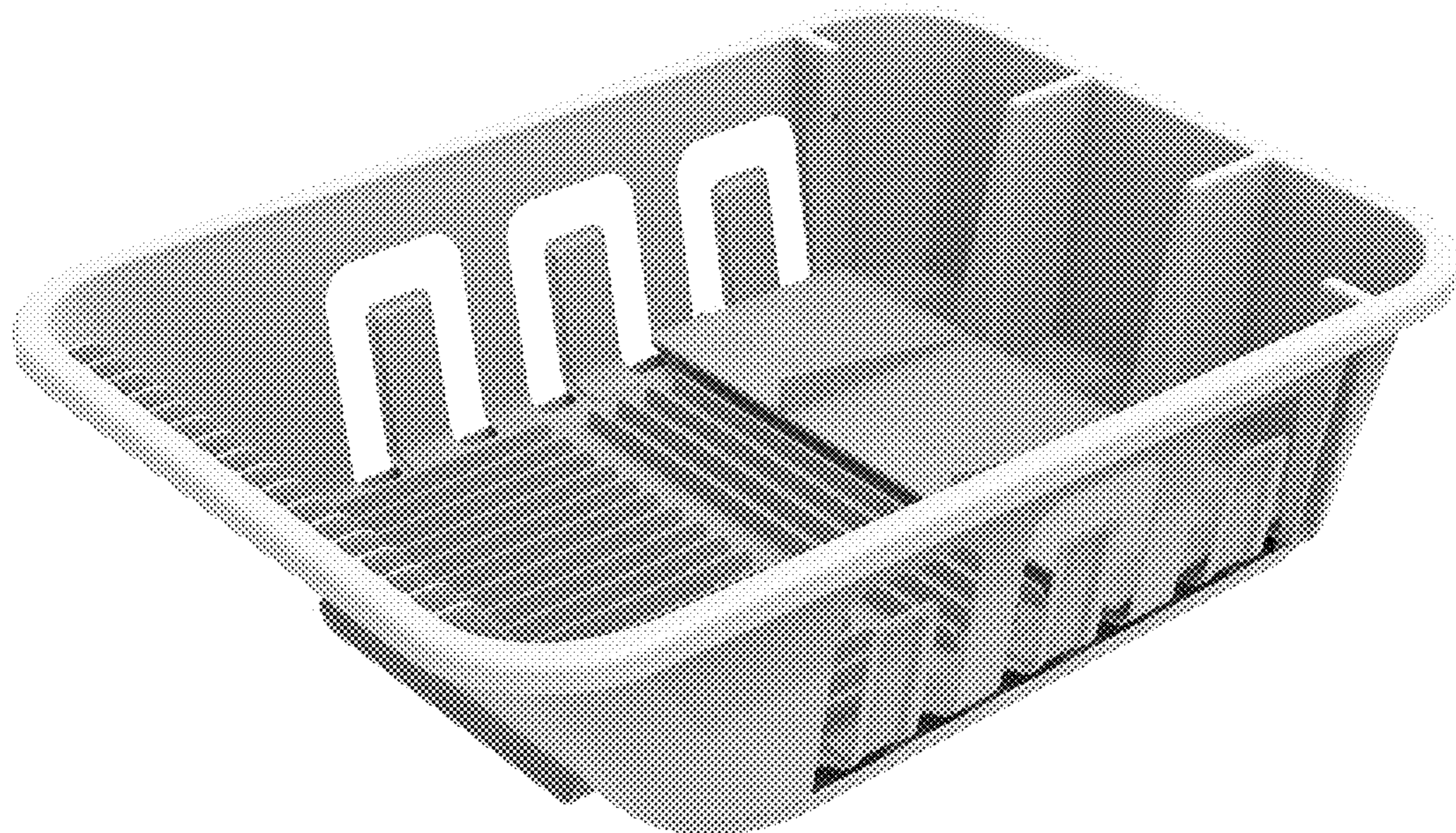


Fig. 2

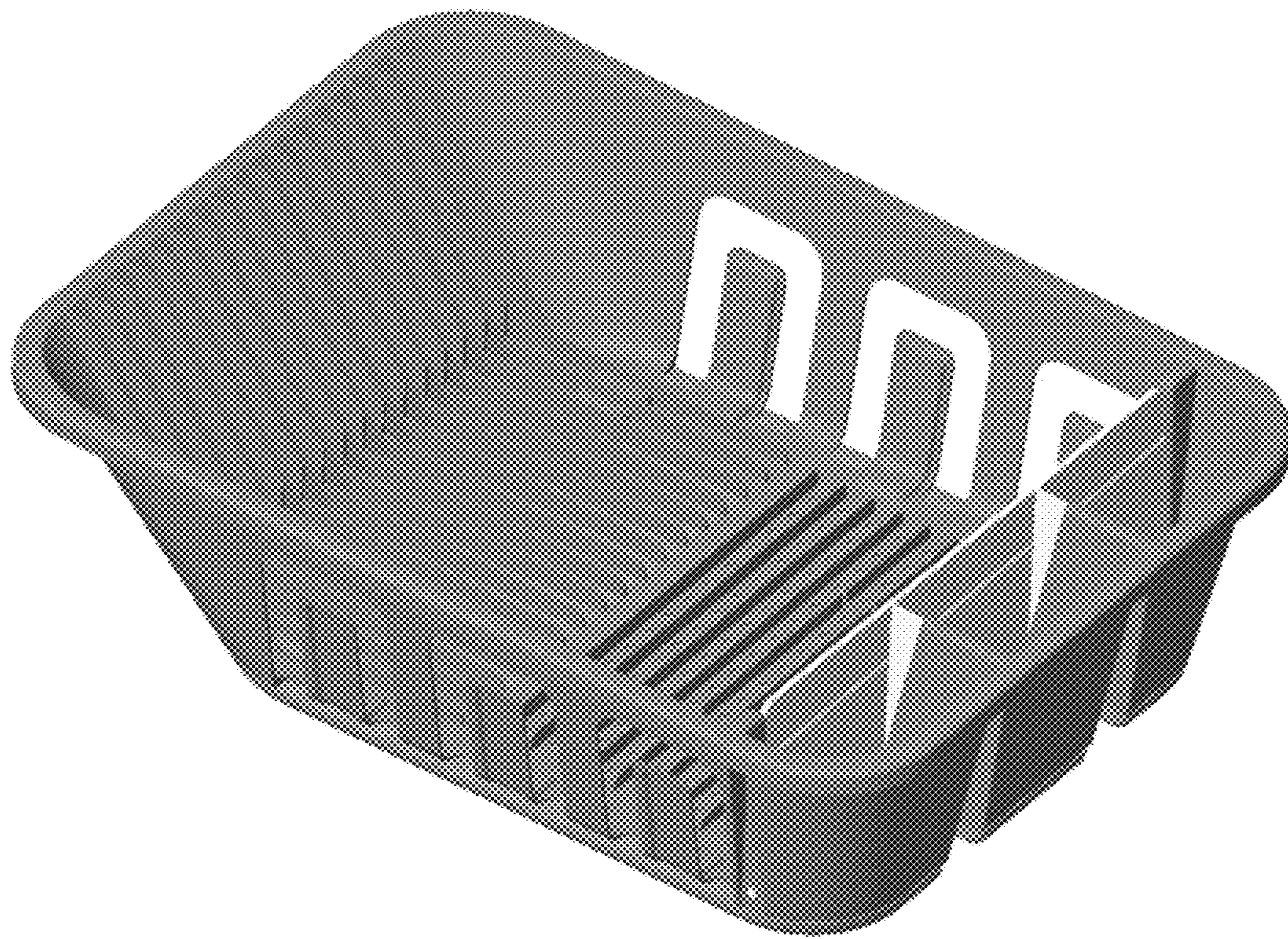


Fig. 3

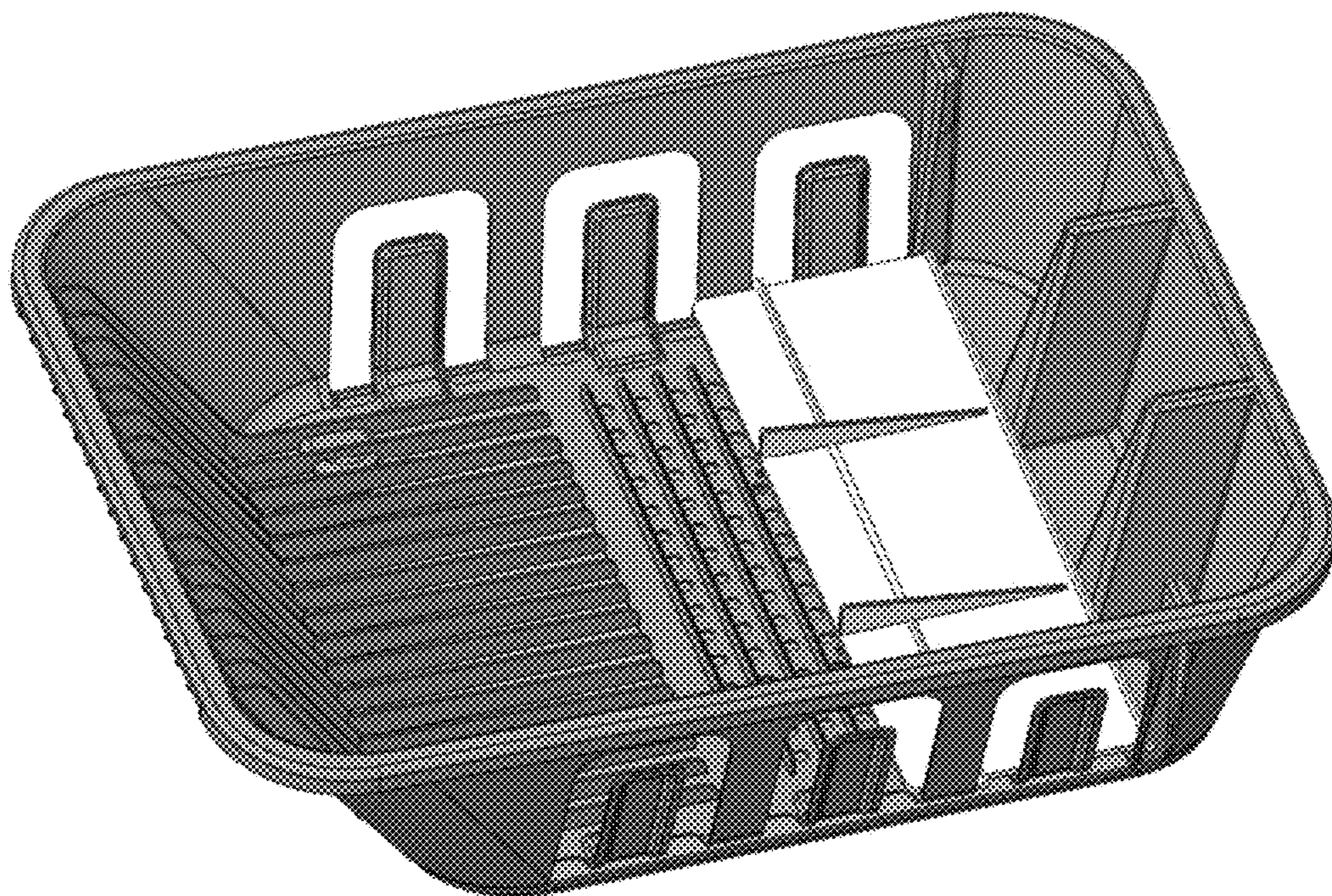


Fig. 4

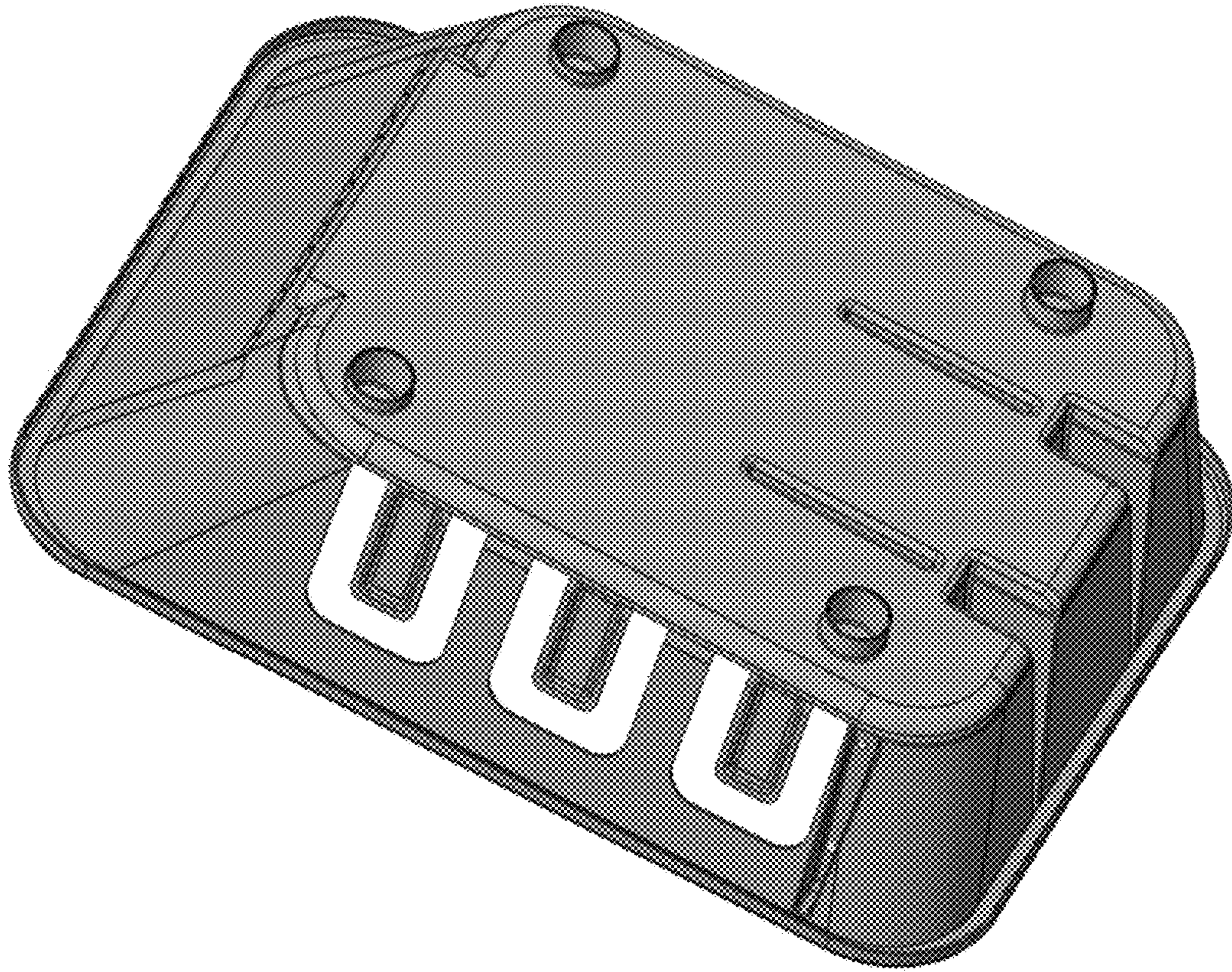


Fig. 5

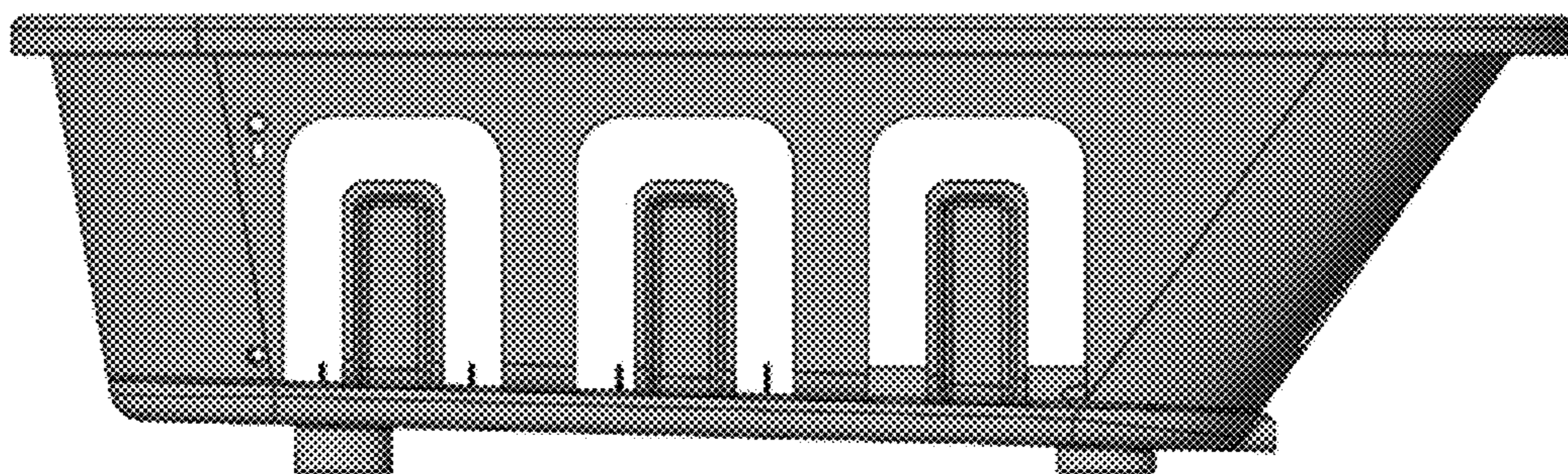


Fig. 6

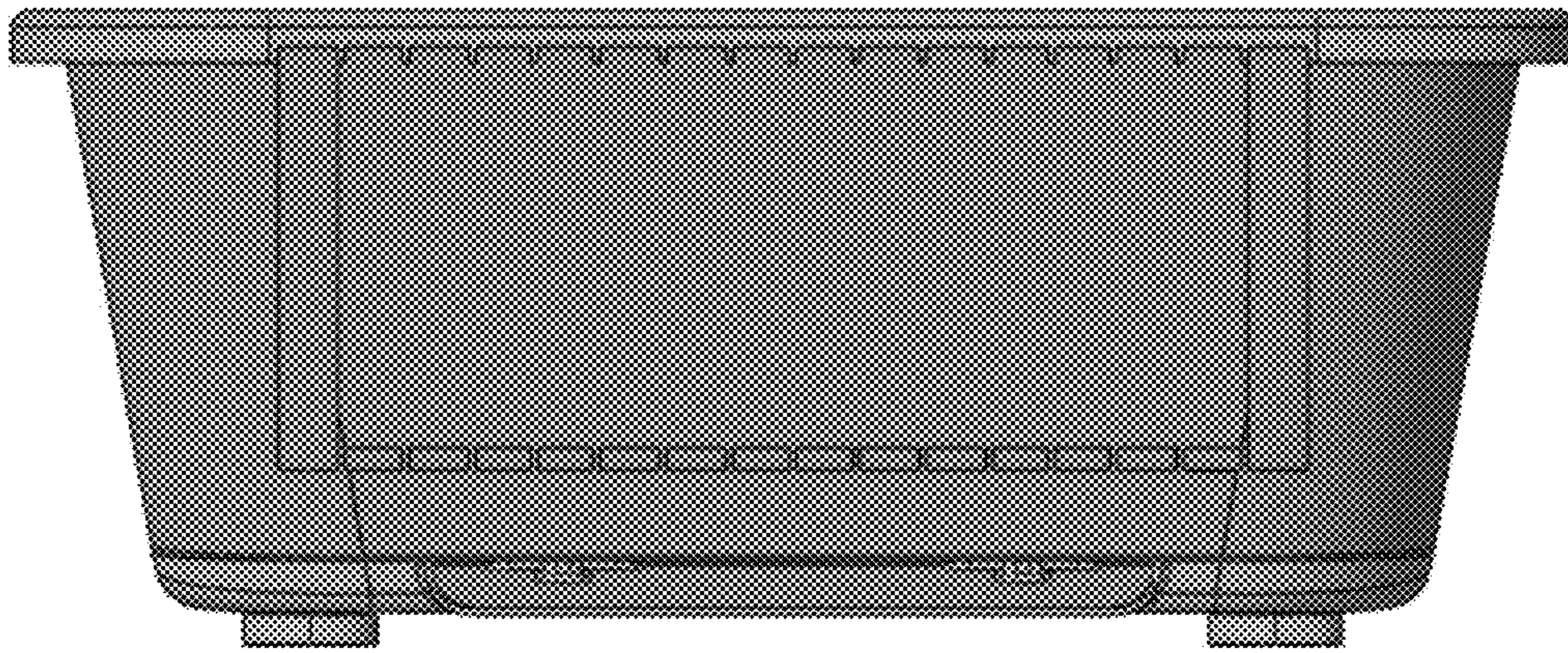


Fig. 7

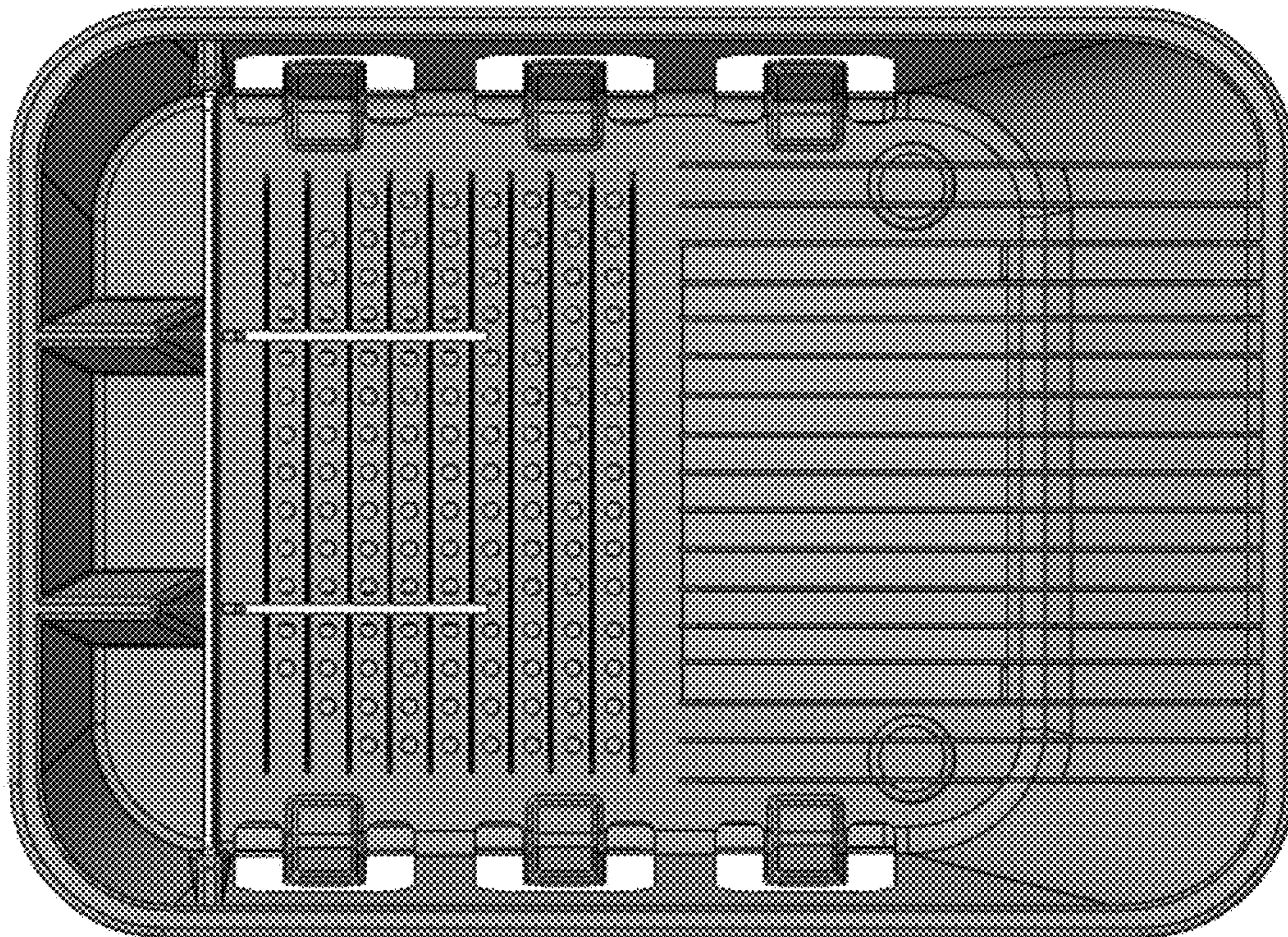


Fig. 8

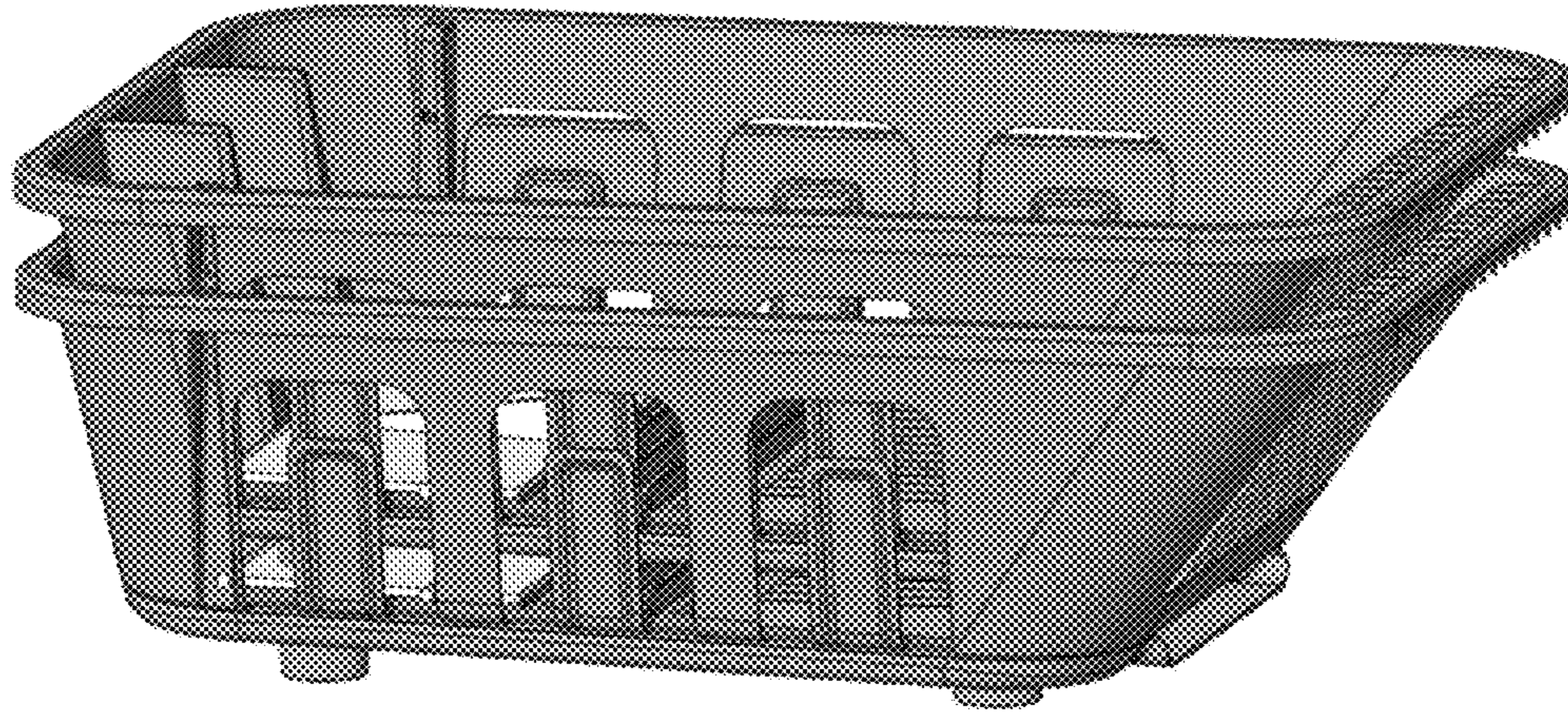


Fig. 9

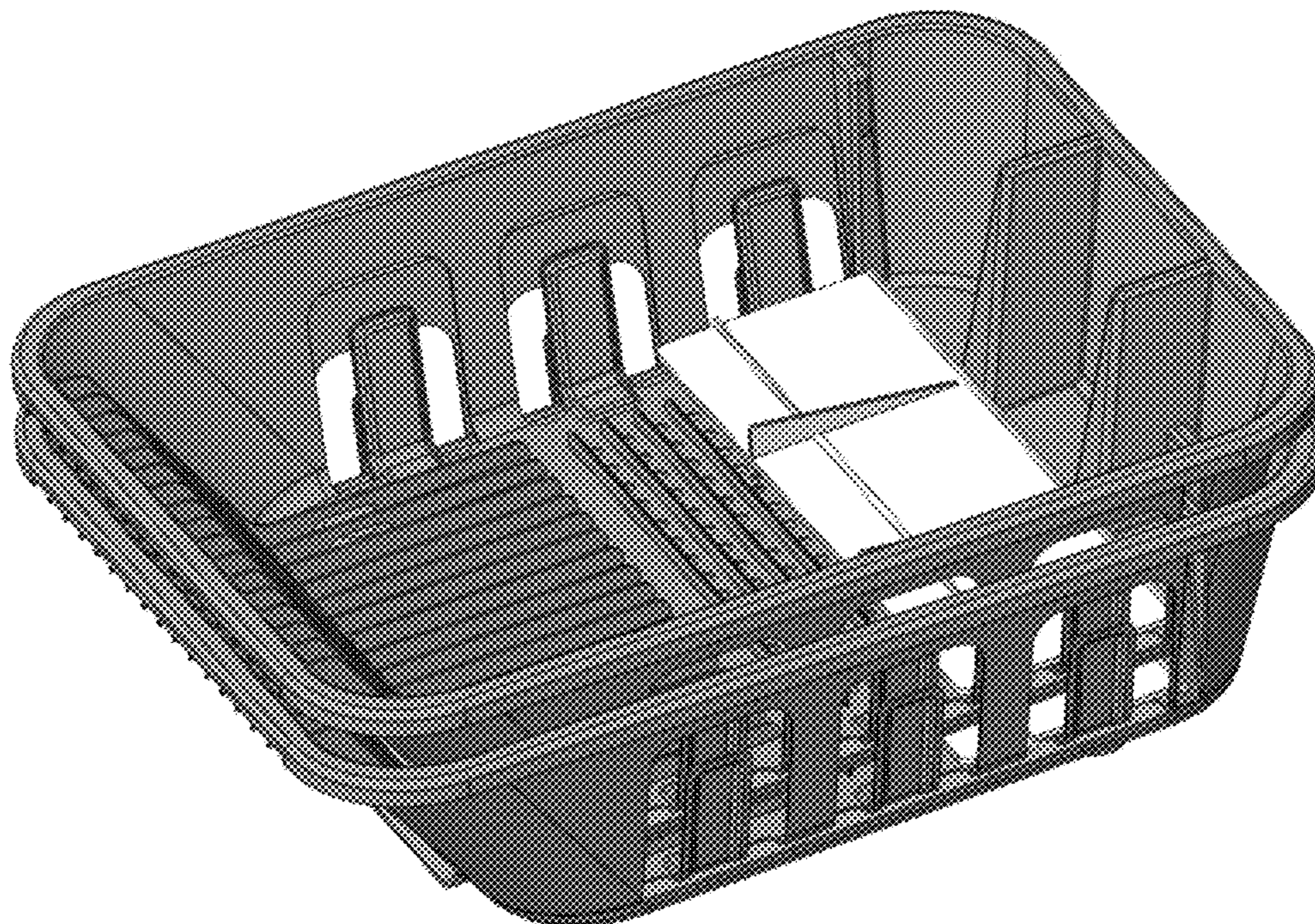


Fig. 10