



US00D957773S

(12) **United States Design Patent** (10) **Patent No.:** **US D957,773 S**  
**Cannon et al.** (45) **Date of Patent:** **\*\* Jul. 12, 2022**

(54) **CLEANING DEVICE** 6,722,806 B2 \* 4/2004 Kunkler ..... A47L 13/20  
401/138  
(71) Applicant: **The Procter & Gamble Company,** D499,220 S \* 11/2004 Kim ..... D32/22  
Cincinnati, OH (US) 6,836,923 B2 1/2005 Treacy et al.  
D505,762 S 5/2005 Lalanne et al.  
(72) Inventors: **William Michael Cannon,** Harrison, IN 7,127,772 B2 10/2006 Dingert et al.  
(US); **Richard Christopher Hagee,** D558,943 S \* 1/2008 Labarbera ..... D32/22  
Cincinnati, OH (US); **Victoria Jung,** D618,411 S \* 6/2010 Crawford ..... D32/51  
Cincinnati, OH (US); **John Charles**  
**Van Rens,** Cincinnati, OH (US); **Kerry**  
**Lloyd Weaver,** Florence, KY (US) (Continued)

**FOREIGN PATENT DOCUMENTS**

CN 305139348 \* 5/2019  
CN 305688934 4/2020  
CN 306359603 \* 3/2021

(73) Assignee: **The Procter & Gamble Company,**  
Cincinnati, OH (US)

(\*\*) Term: **15 Years**

(21) Appl. No.: **29/813,426**

(22) Filed: **Oct. 28, 2021**

**Related U.S. Application Data**

(63) Continuation of application No. 29/723,643, filed on  
Feb. 10, 2020, now Pat. No. Des. 937,520.

(51) **LOC (13) Cl.** ..... **15-05**

(52) **U.S. Cl.**  
USPC ..... **D32/46**

(58) **Field of Classification Search**  
USPC ..... D21/526; D32/17-18, 21-22, 45, 50-52  
CPC ..... A61B 6/501; A63H 33/305  
See application file for complete search history.

(56) **References Cited**

**U.S. PATENT DOCUMENTS**

3,363,948 A 1/1968 Carter et al.  
D378,798 S \* 4/1997 Berti ..... D8/107  
D401,703 S 11/1998 Ping et al.  
D458,427 S \* 6/2002 Kunkler ..... D32/45  
D482,829 S 11/2003 Vosbikian et al.  
D487,174 S 2/2004 Colman et al.

**OTHER PUBLICATIONS**

Swiffer wetjet, Walmart website 2022, site visited Feb. 26, 2022,  
<https://www.walmart.com/ip/P-G-Swifter-Wet-Jet-Kit/34763208>.\*

(Continued)

*Primary Examiner* — John R Yeh

(74) *Attorney, Agent, or Firm* — Gary J. Foose

(57) **CLAIM**

The ornamental design for a cleaning device, as shown and  
described.

**DESCRIPTION**

FIG. 1 is a perspective view of an embodiment of a cleaning  
device embodying our new design;  
FIG. 2 is a front view thereof;  
FIG. 3 is a left view thereof;  
FIG. 4 is a back view thereof;  
FIG. 5 is a right view thereof;  
FIG. 6 is a top view thereof; and,  
FIG. 7 is a bottom view thereof.  
Any broken lines shown in the drawings are for illustrative  
purposes only and form no part of the claimed design.

**1 Claim, 4 Drawing Sheets**



(56)

References Cited

U.S. PATENT DOCUMENTS

D657,928 S 4/2012 Byrne  
 D660,533 S 5/2012 Hill et al.  
 D661,034 S \* 5/2012 Ediger ..... D32/45  
 8,205,293 B2 \* 6/2012 Rosenzweig ..... A47L 13/256  
 15/403  
 D664,729 S 7/2012 Robertson et al.  
 D673,748 S \* 1/2013 Snyder ..... D32/45  
 8,375,499 B1 \* 2/2013 Marino ..... B25G 1/102  
 D32/50  
 D680,701 S \* 4/2013 Carlson ..... D32/51  
 8,425,137 B1 4/2013 Sampaio  
 D765,330 S 8/2016 Lentine  
 D794,890 S \* 8/2017 Hoyle ..... D32/52  
 D806,338 S 12/2017 Metzel et al.  
 D807,147 S \* 1/2018 Renault ..... D8/303  
 10,034,592 B2 7/2018 Vrdoljak  
 D834,778 S 11/2018 Palladino  
 D866,895 S 11/2019 Mcdonnell  
 D866,899 S \* 11/2019 Harrington ..... D32/52  
 D872,403 S \* 1/2020 Harrington ..... A47L 13/22  
 D32/45  
 D881,494 S \* 4/2020 Harrington ..... D32/52

D922,712 S 6/2021 Harrington et al.  
 D934,521 S \* 10/2021 Piksa ..... D32/45  
 D937,520 S 11/2021 Cannon et al.  
 2005/0058500 A1 \* 3/2005 Hall ..... A47L 13/312  
 401/278  
 2005/0089360 A1 \* 4/2005 Garabedian ..... A47L 13/12  
 401/138  
 2006/0195996 A1 9/2006 Petner  
 2006/0213017 A1 \* 9/2006 Bele ..... A47L 13/42  
 15/143.1  
 2007/0240268 A1 10/2007 Le et al.  
 2012/0227763 A1 \* 9/2012 Hayes ..... A47L 13/22  
 401/138  
 2013/0104327 A1 5/2013 Borofsky  
 2013/0318725 A1 \* 12/2013 Kellis ..... A47L 13/225  
 134/6  
 2016/0256029 A1 9/2016 Weaver et al.  
 2018/0235425 A1 \* 8/2018 Ding ..... A47L 11/4083  
 2020/0253449 A1 8/2020 Enger et al.

OTHER PUBLICATIONS

All Office Actions; U.S. Appl. No. 29/723,643, filed Feb. 10, 2020.

\* cited by examiner

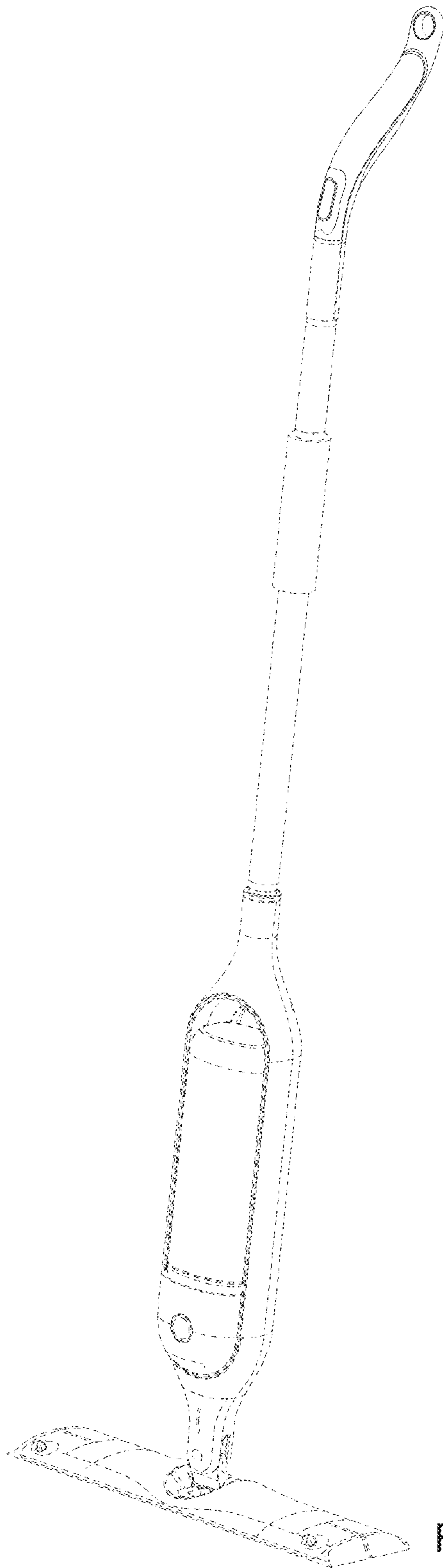


FIG. 1

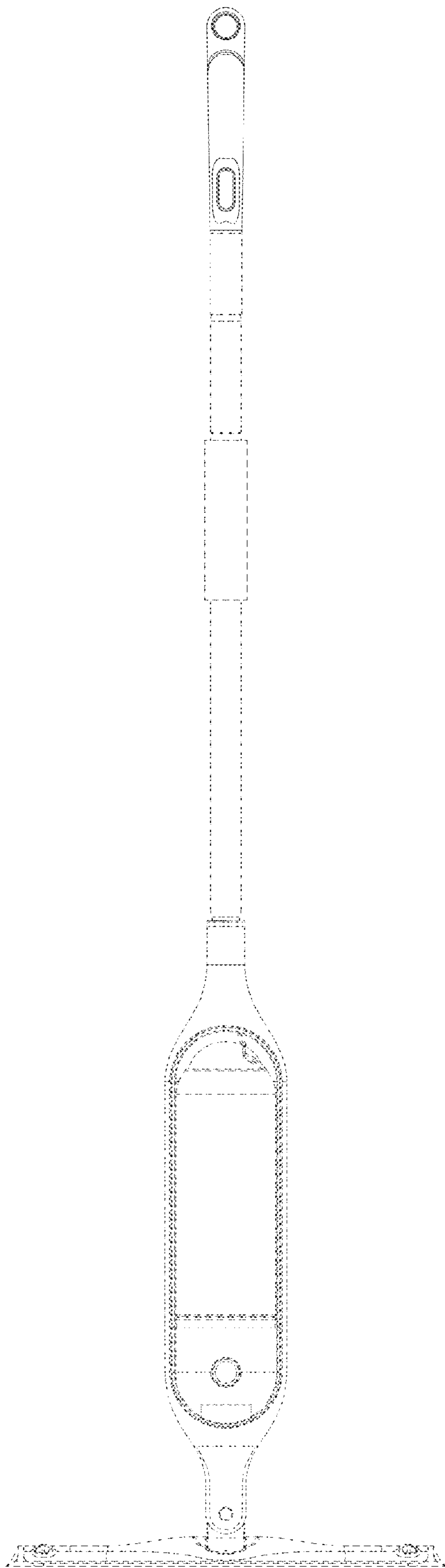


FIG. 2

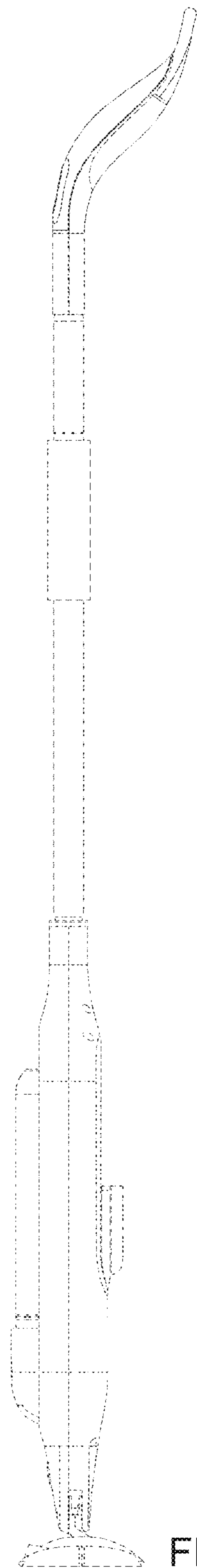


FIG. 3

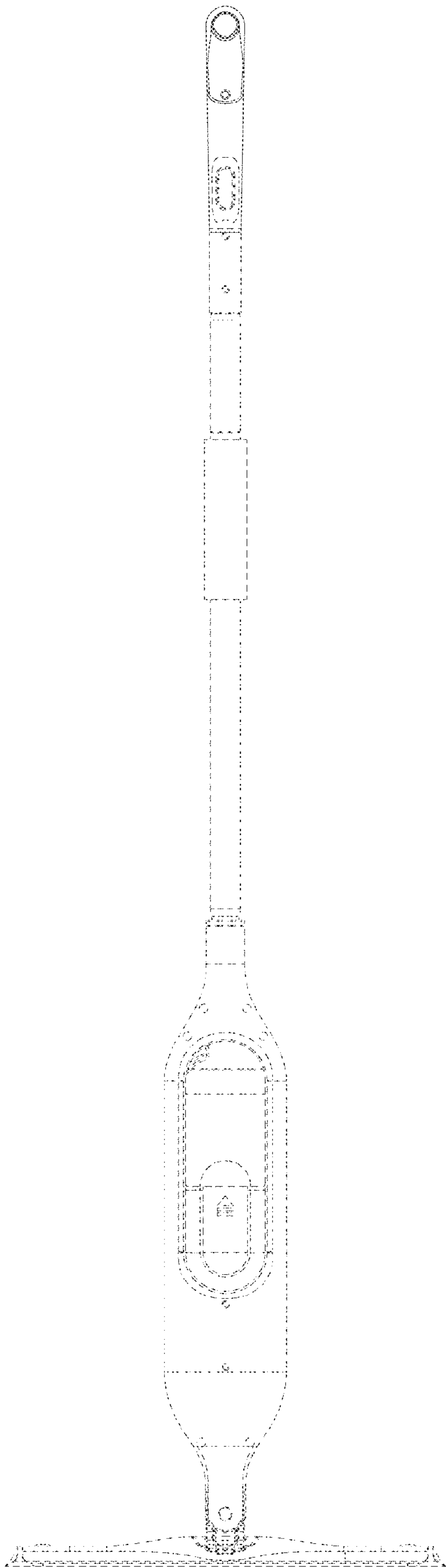


FIG. 4

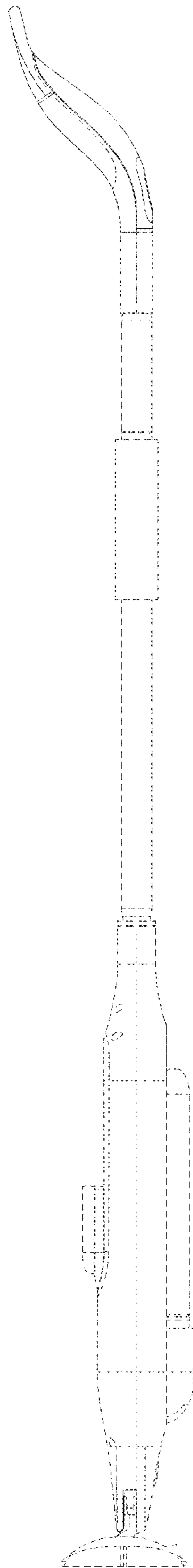


FIG. 5

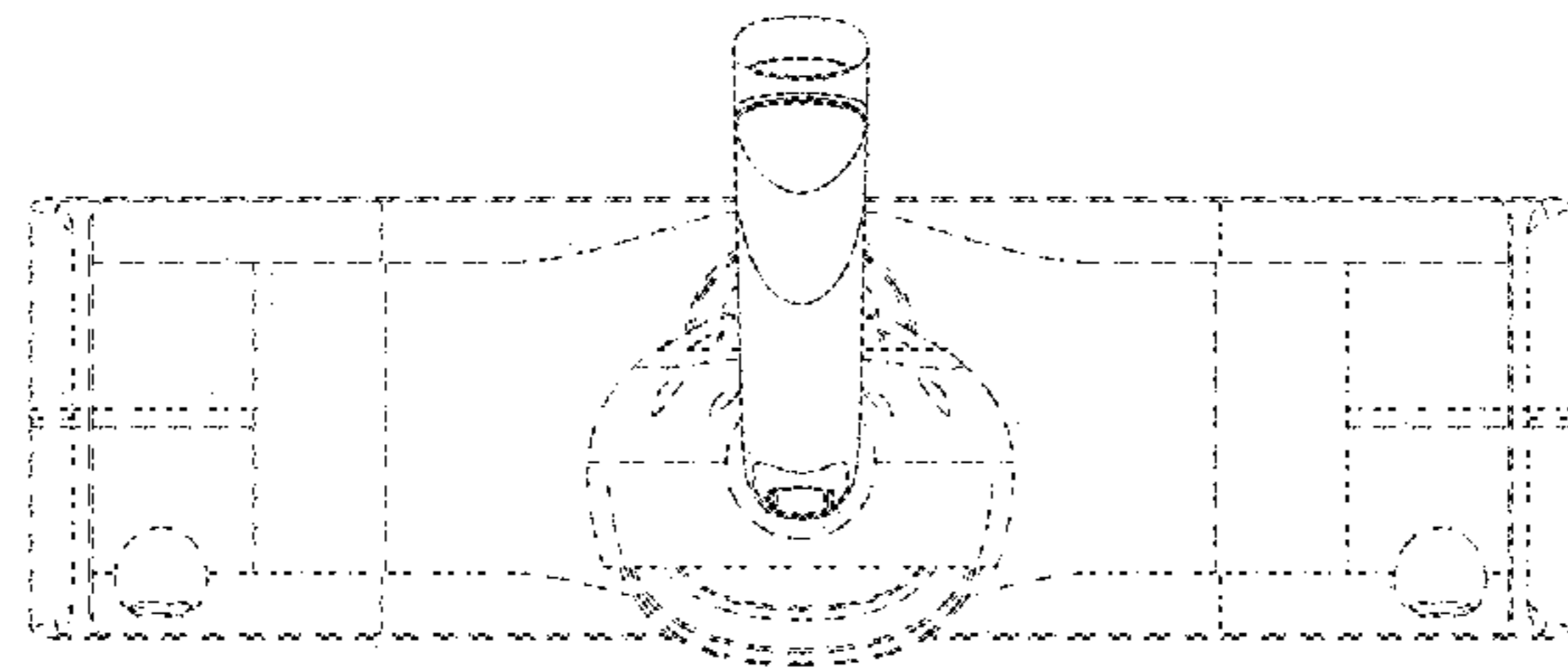


FIG. 6

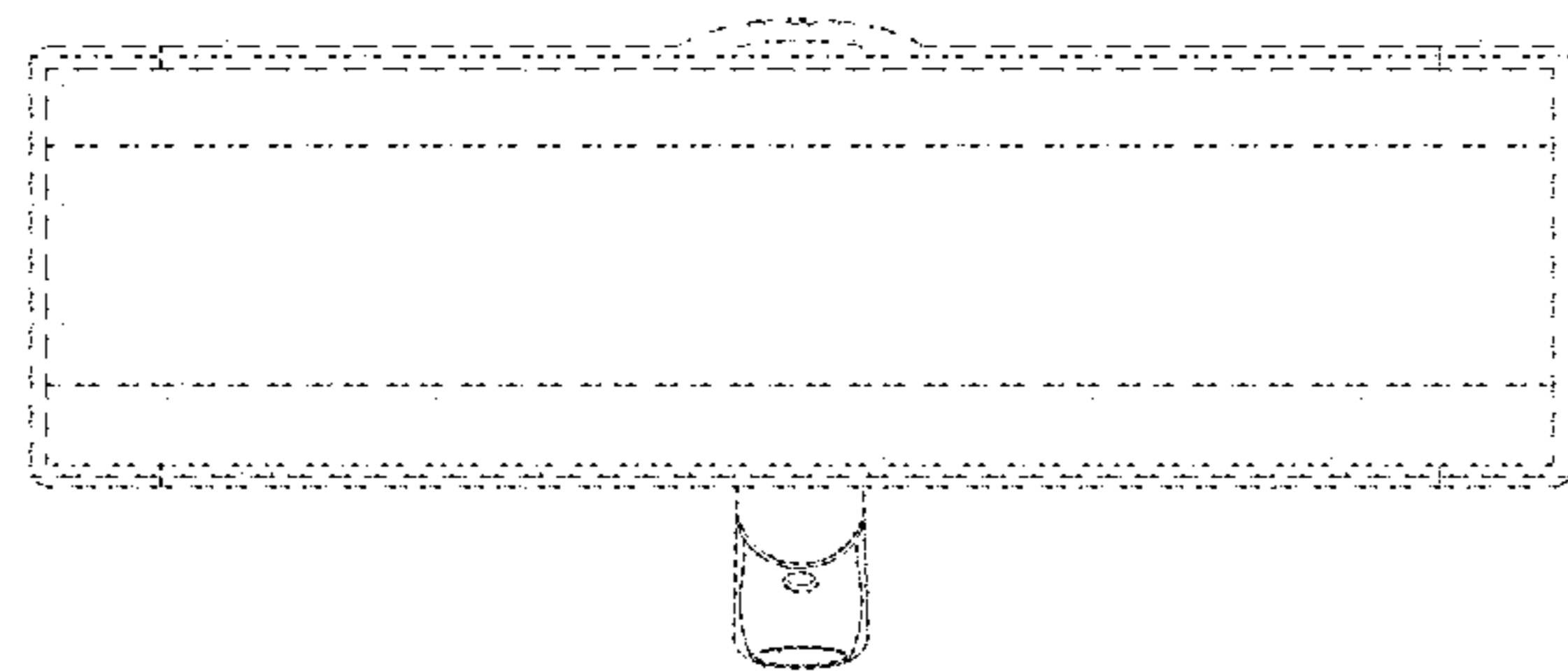


FIG. 7