



US00D957769S

(12) **United States Design Patent** (10) **Patent No.:** **US D957,769 S**
Costa et al. (45) **Date of Patent:** **** Jul. 12, 2022**

(54) **LAUNDRY CHEMISTRY DISPENSER**

D319,581 S * 9/1991 Halm D7/591
D319,841 S * 9/1991 Fukuda D18/43
D328,010 S * 7/1992 Daenen D7/591

(71) Applicant: **WHIRLPOOL CORPORATION**,
Benton Harbor, MI (US)

(Continued)

(72) Inventors: **Marcos L. Costa**, Joinville (BR);
Diogo M. Rodrigues, Rio Claro (BR);
Rui Silva, Rio Claro (BR)

FOREIGN PATENT DOCUMENTS

JP D1119964 * 9/2001

(73) Assignee: **Whirlpool Corporation**, Benton
Harbor, MI (US)

OTHER PUBLICATIONS

Amazon Dishwasher Dispenser Cap Replacement Part, reviews
2018, <https://www.amazon.com/UPGRADED-Durable-Dishwasher-Dispenser-Replacement/dp/B07VYPJWGB>, site visited Mar. 12,
2020.

(**) Term: **15 Years**

Primary Examiner — John R Yeh

(21) Appl. No.: **29/764,249**

(74) *Attorney, Agent, or Firm* — McGarry Bair PC

(22) Filed: **Dec. 29, 2020**

(57) **CLAIM**

The ornamental design for a laundry chemistry dispenser, as
shown and described.

Related U.S. Application Data

(62) Division of application No. 29/653,101, filed on Jun.
12, 2018, now Pat. No. Des. 908,991.

DESCRIPTION

(51) **LOC (13) Cl.** **15-05**

(52) **U.S. Cl.**
USPC **D32/29.1**

(58) **Field of Classification Search**
USPC D32/1-2, 6, 8, 10, 25, 29.1
CPC D06F 58/24; D06F 58/206; F28F 19/02;
A46B 17/00

See application file for complete search history.

FIG. 1 is a top perspective view of a laundry chemistry
dispenser, showing our new design;
FIG. 2 is a bottom perspective view of the laundry chemistry
dispenser of FIG. 1;
FIG. 3 is a top view of the laundry chemistry dispenser of
FIG. 1;
FIG. 4 is a bottom view of the laundry chemistry dispenser
of FIG. 1;
FIG. 5 is a front view of the laundry chemistry dispenser of
FIG. 1;
FIG. 6 is a rear view of the laundry chemistry dispenser of
FIG. 1;
FIG. 7 is a left side view of the laundry chemistry dispenser
of FIG. 1; and,
FIG. 8 is a right side view of the laundry chemistry dispenser
of FIG. 1.

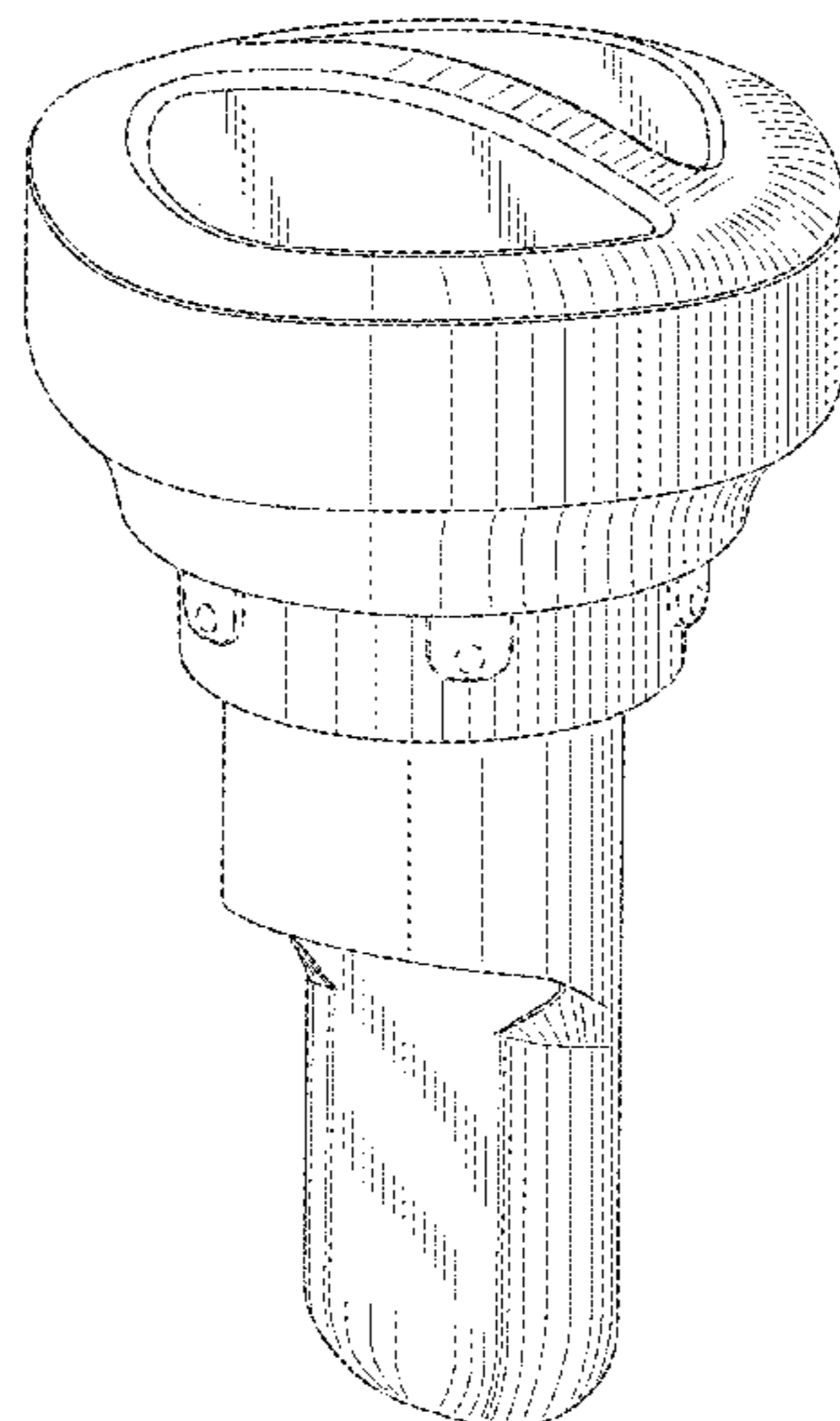
Portions of the laundry chemistry dispenser shown in broken
lines form no part of the claimed design.

(56) **References Cited**

U.S. PATENT DOCUMENTS

1,732,314 A 10/1929 Oberwegner
3,596,480 A 8/1971 Douglas
D223,337 S 4/1972 Kuchar
3,724,242 A 4/1973 Davis
3,736,773 A 6/1973 Waugh
D272,290 S 1/1984 Wilson
4,478,059 A 10/1984 Yates
D288,293 S * 2/1987 Arvans D9/535
D304,512 S 11/1989 Byers et al.
D318,613 S * 7/1991 Halm D23/366

1 Claim, 7 Drawing Sheets



(56)

References Cited

U.S. PATENT DOCUMENTS

D346,890	S	5/1994	Panesar	
D361,176	S	8/1995	Schoenke	
5,477,873	A *	12/1995	Ramsey B08B 3/08 134/155
D381,141	S *	7/1997	Balz D32/29.1
5,734,996	A	4/1998	Lee	
D401,971	S	12/1998	Chang	
D406,679	S	3/1999	DePalma	
D437,466	S *	2/2001	Song D32/25
D566,770	S	4/2008	Cetera	
7,367,078	B2	5/2008	Mameletzi et al.	
D582,619	S	12/2008	Kong	
D663,911	S *	7/2012	Link D32/29.1
D670,468	S	11/2012	Link	
8,375,962	B2 *	2/2013	Gibis A47L 15/4463 68/17 R
8,720,703	B1	5/2014	Pressler et al.	
9,067,462	B1	6/2015	Pressler et al.	
D797,388	S	9/2017	Kim et al.	
D797,389	S	9/2017	Kim et al.	
D800,402	S	10/2017	Ha et al.	
D818,229	S	5/2018	Ha et al.	
D832,539	S	10/2018	Baird	
10,306,976	B2	6/2019	Ranucci	
D908,991	S *	1/2021	Costa D32/29.1
2004/0226961	A1	11/2004	Mehus et al.	
2004/0245284	A1	12/2004	Mehus et al.	
2014/0311191	A1	10/2014	Braz et al.	
2017/0174539	A1	6/2017	Inagaki et al.	

* cited by examiner

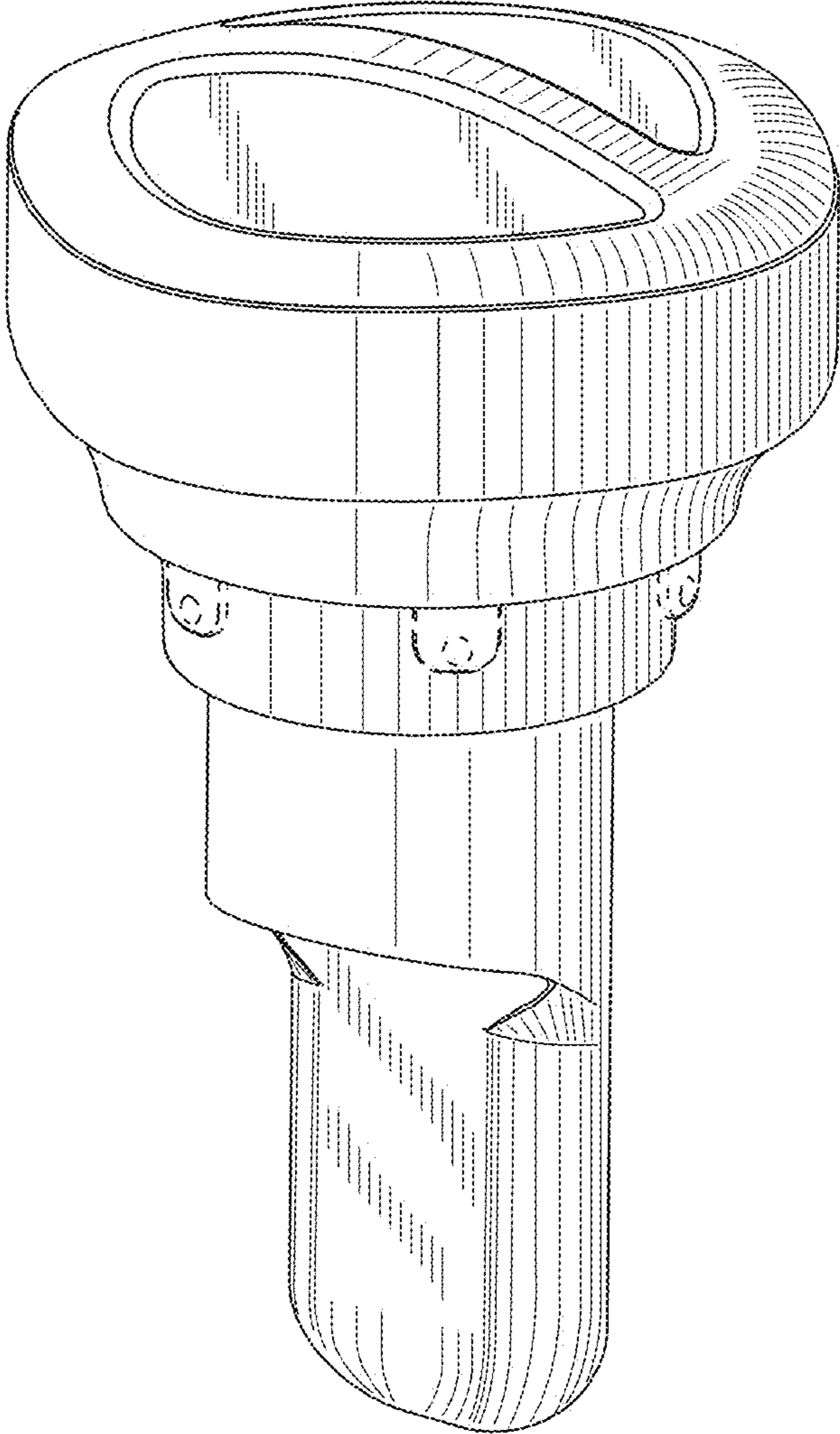


FIG. 1

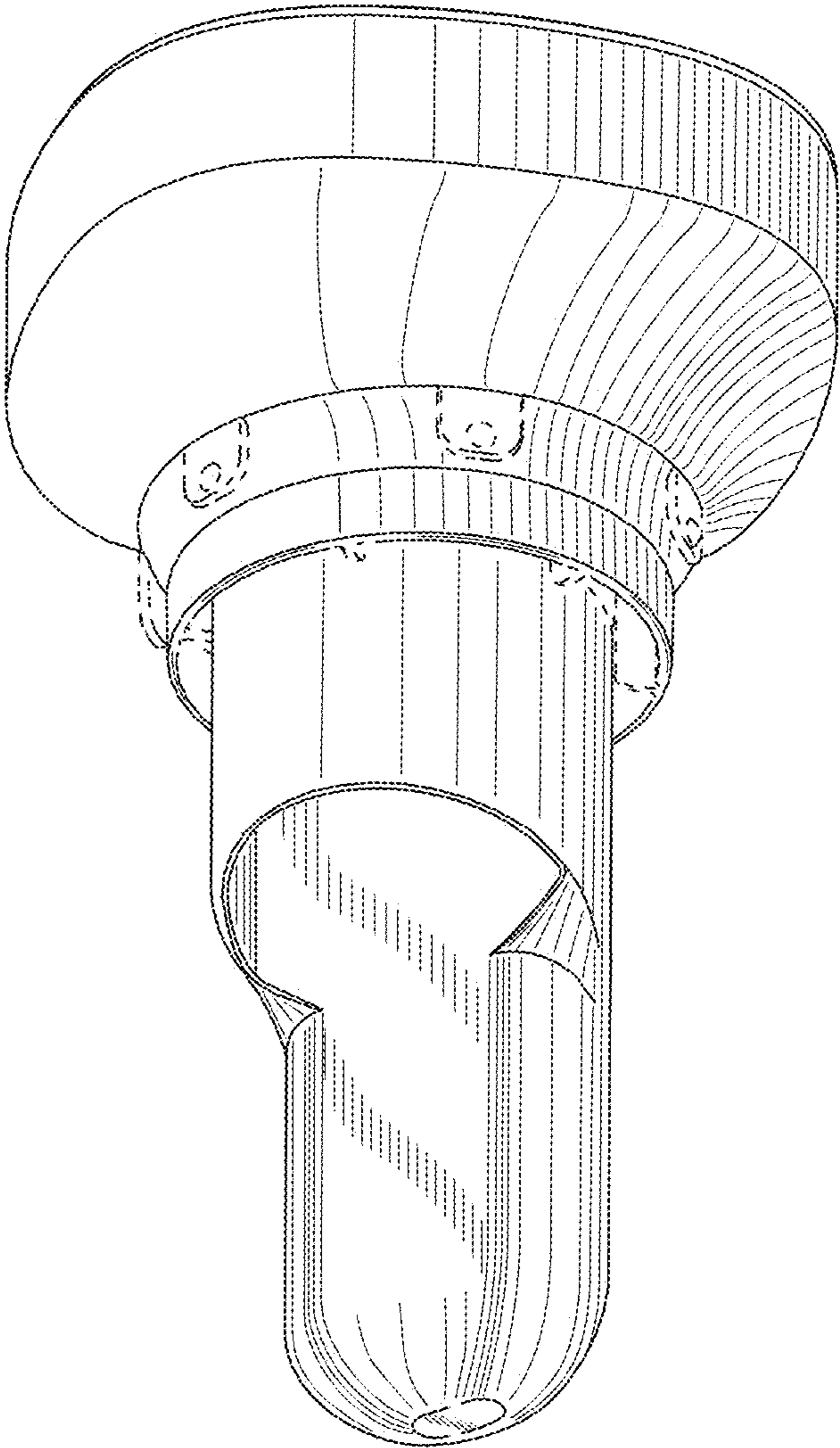


FIG. 2

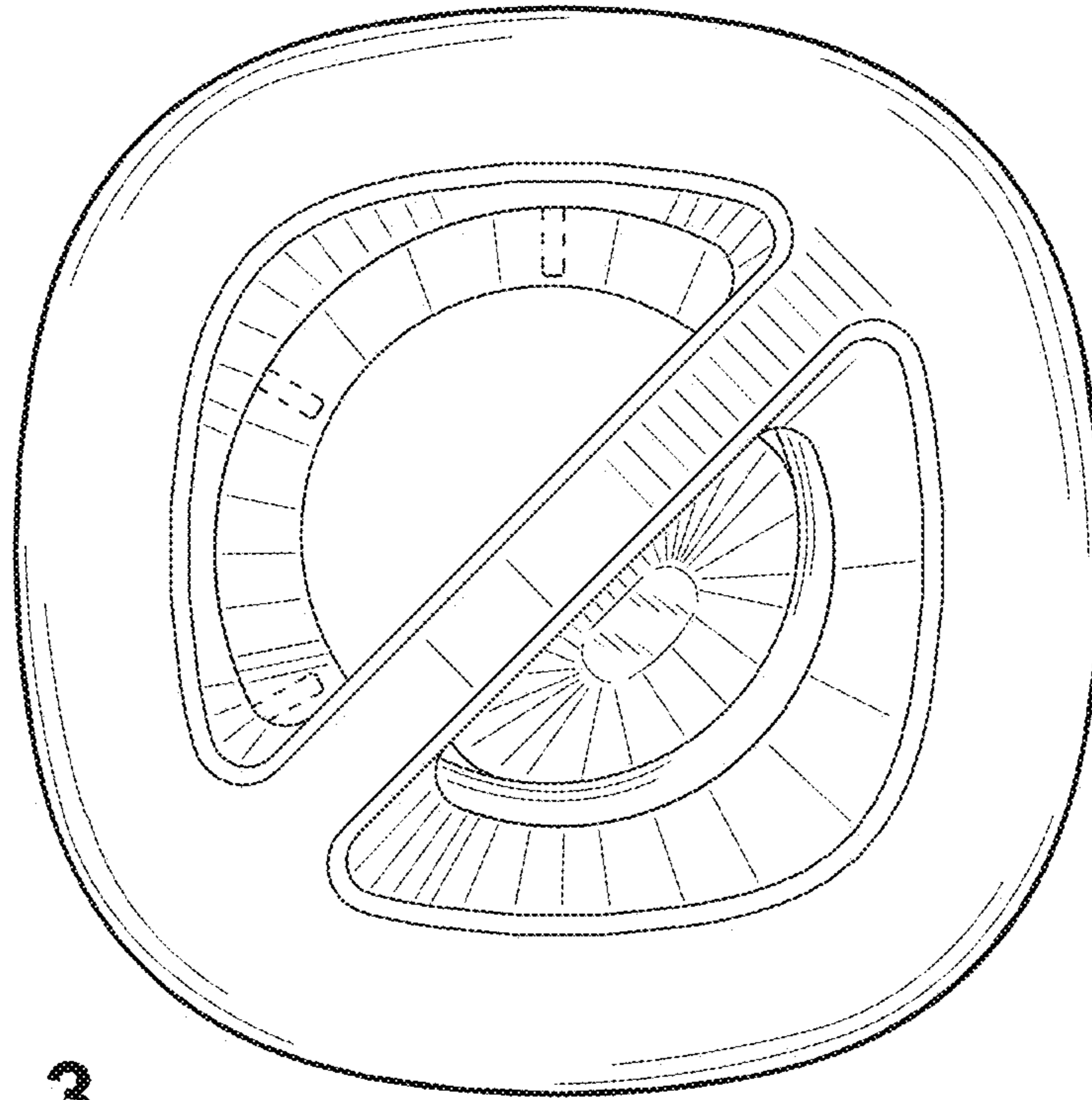


FIG. 3

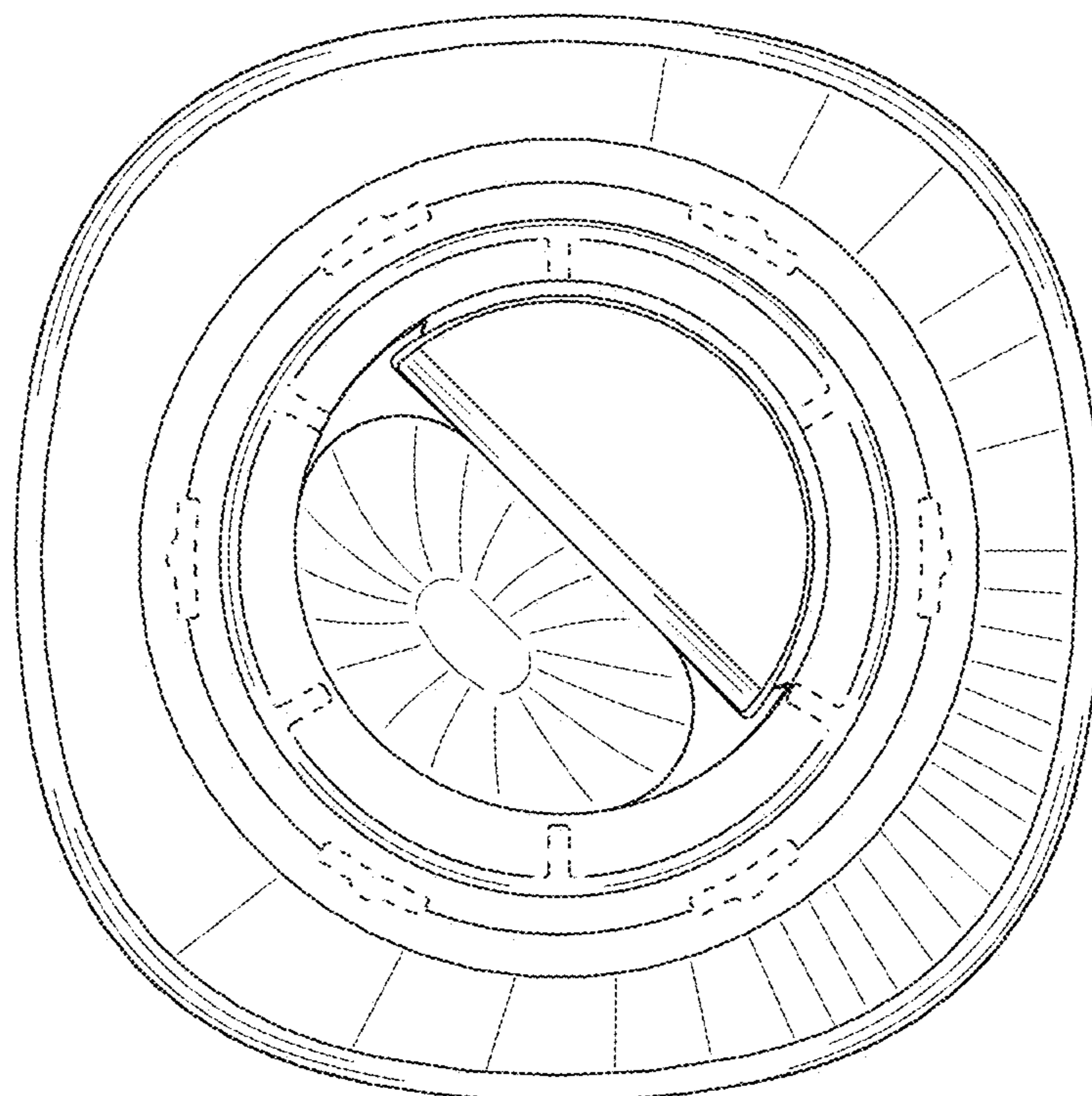


FIG. 4

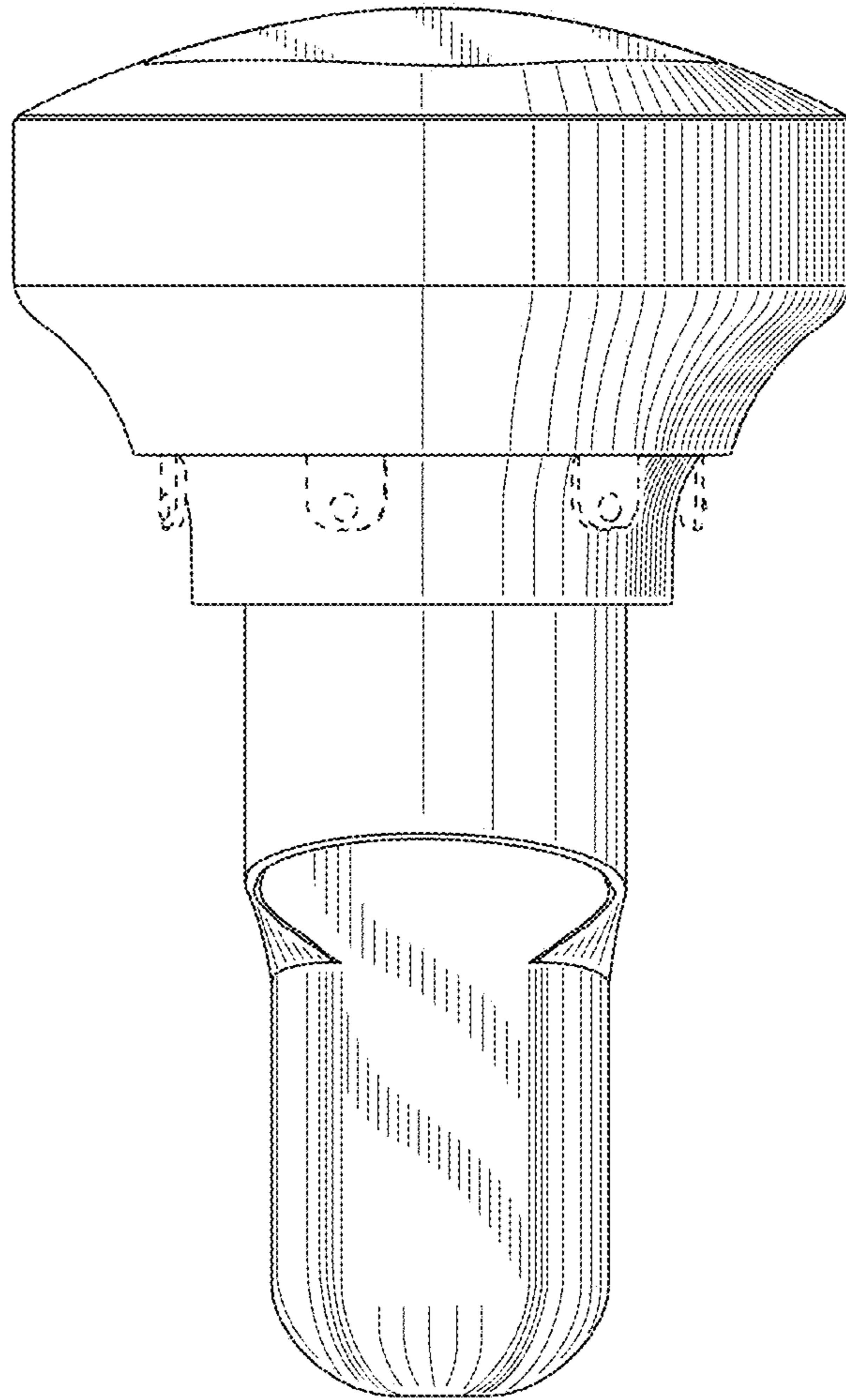


FIG. 5

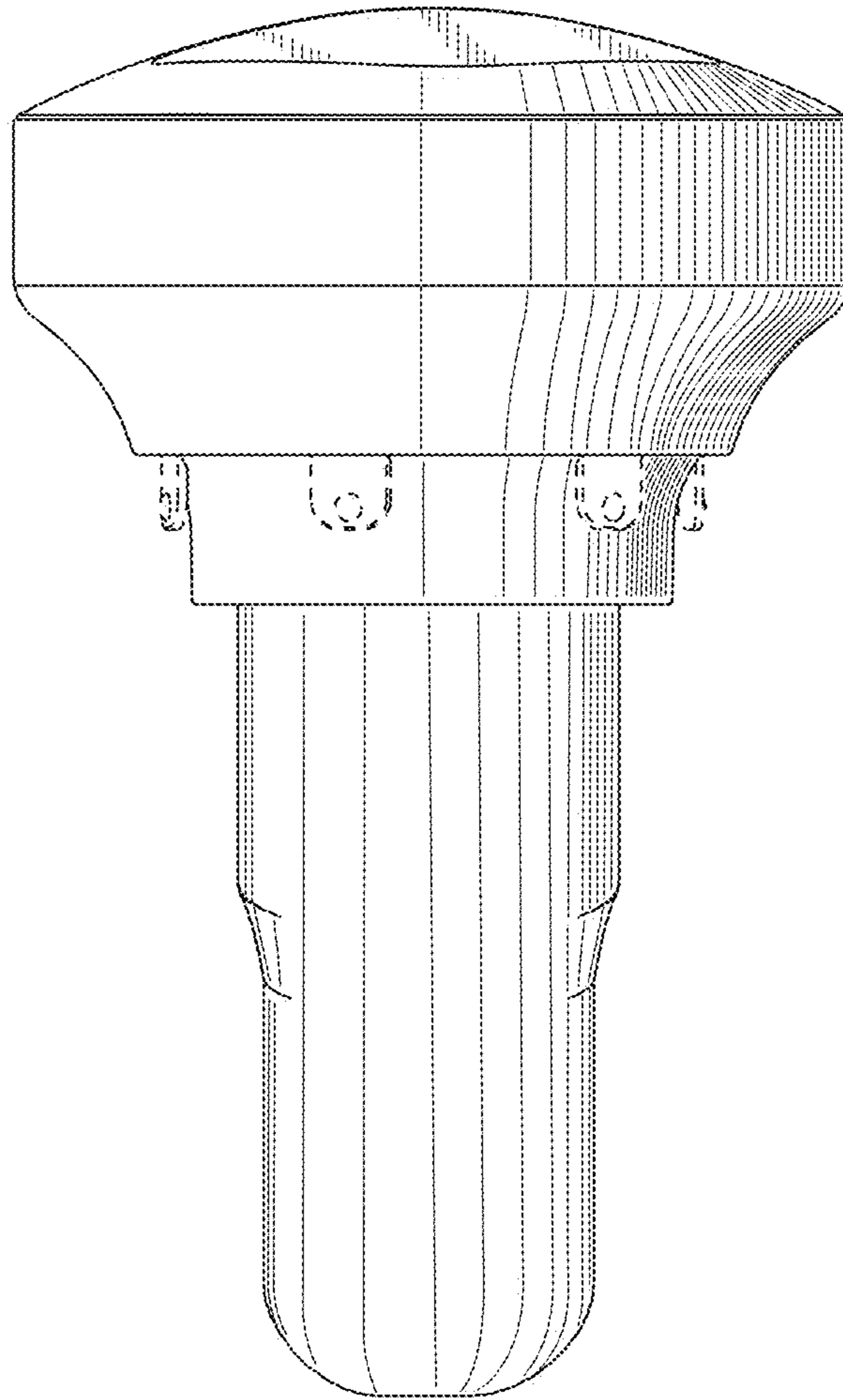


FIG. 6

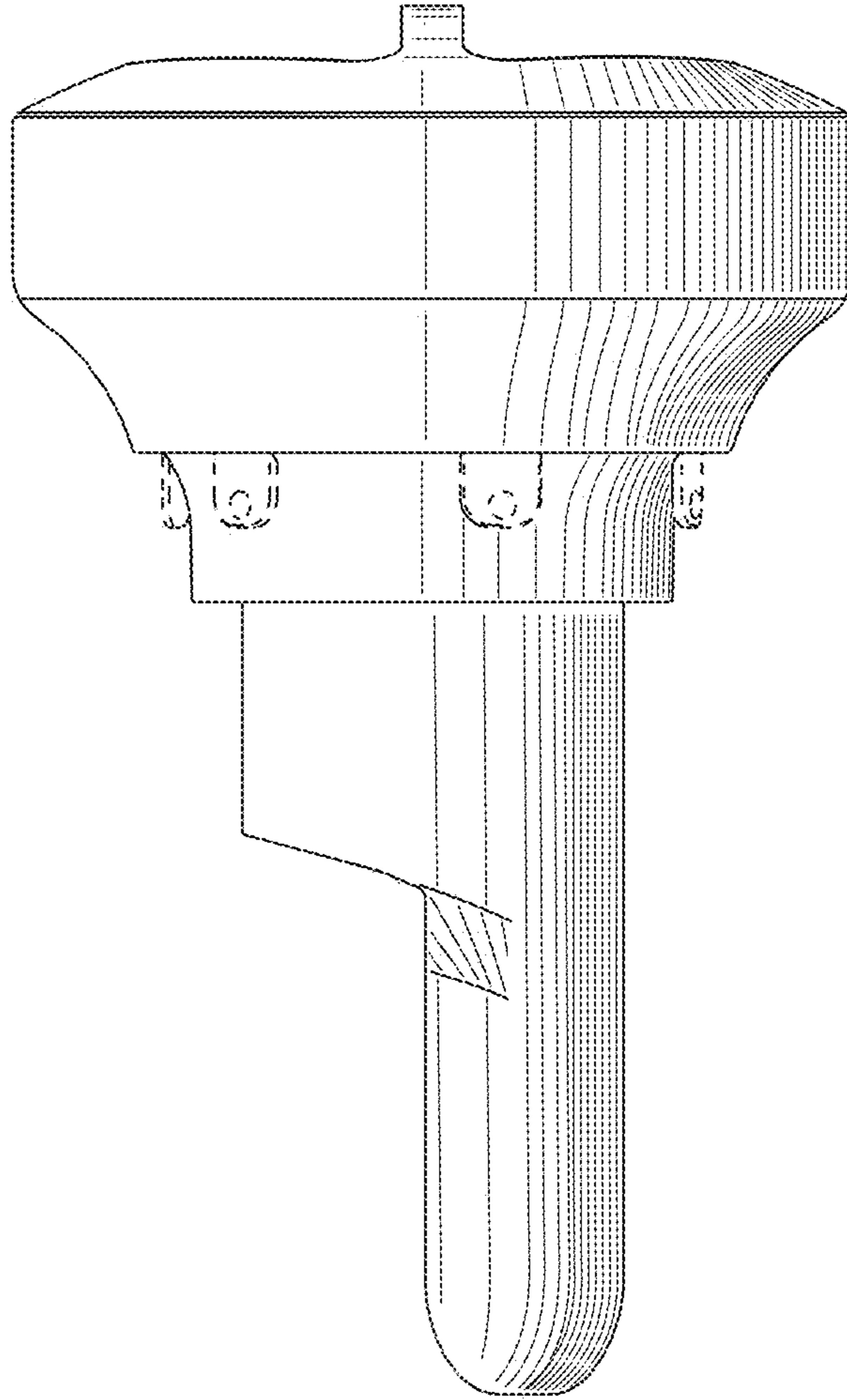


FIG. 7

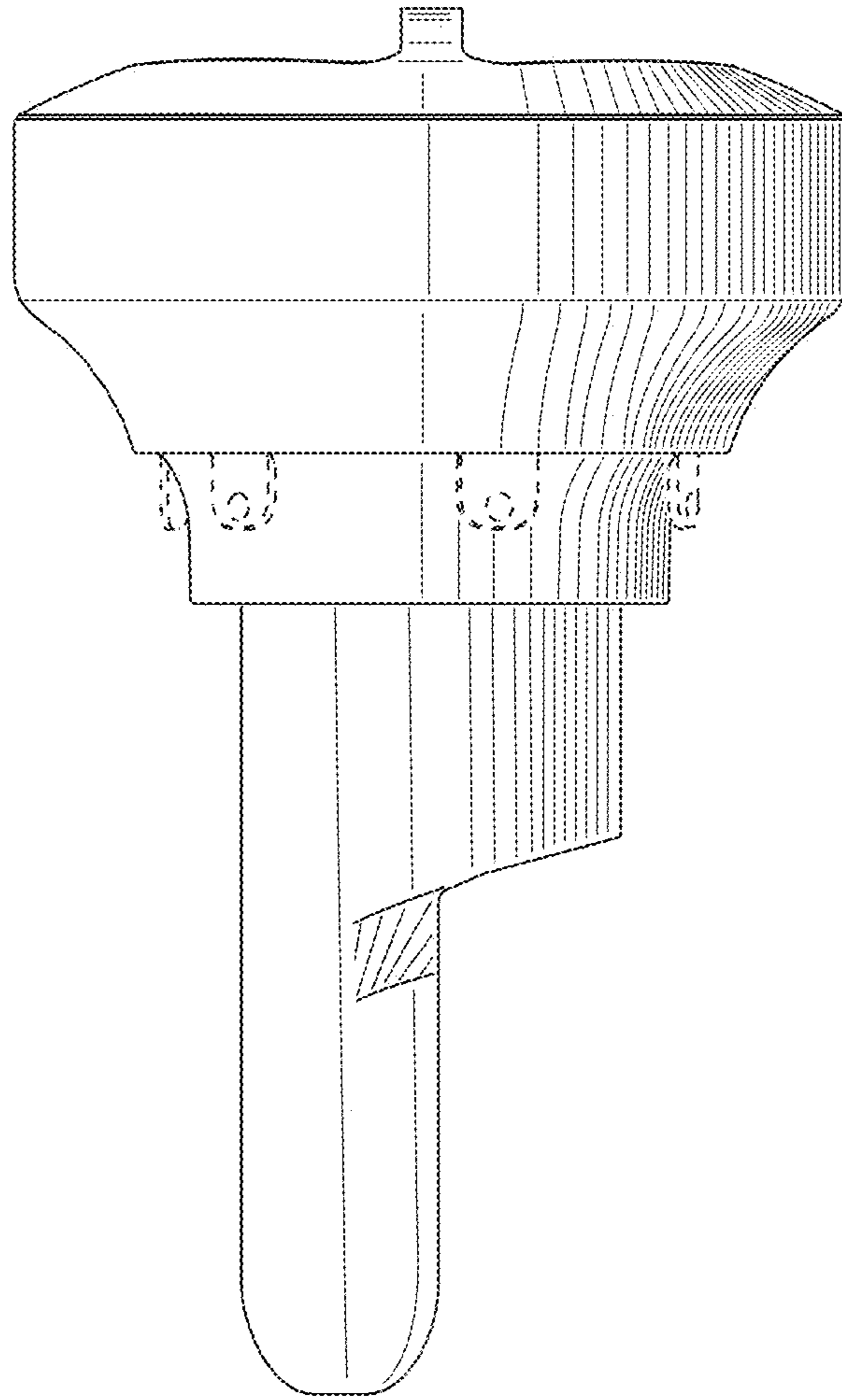


FIG. 8