



US00D957768S

(12) **United States Design Patent** (10) **Patent No.:** **US D957,768 S**
Griot et al. (45) **Date of Patent:** **** Jul. 12, 2022**

(54) **POLISHER** 5,856,396 A * 1/1999 Vipperman B24B 27/033
524/425

(71) Applicant: **Griot's Garage, Inc.**, Tacoma, WA (US) D413,445 S 9/1999 deBlois et al.
5,978,999 A 11/1999 deBlois et al.
(Continued)

(72) Inventors: **Richard L. Griot**, Tacoma, WA (US); **Jeffrey L. Brown**, Savage, MN (US) FOREIGN PATENT DOCUMENTS

(73) Assignee: **Griot's Garage, Inc.**, Tacoma, WA (US) RU 00095869 * 10/2015

(**) Term: **15 Years** OTHER PUBLICATIONS
Autogeek, "Griots Garage 3 Inch Orbital Polisher," Wayback Machine copy dated Jun. 12, 2010, <https://www.autogeek.net/griots-orbital-polisher.html>, 6 pages.

(21) Appl. No.: **29/695,312** (Continued)

(22) Filed: **Jun. 18, 2019** Primary Examiner — John R Yeh

(51) **LOC (13) Cl.** **15-05** (74) *Attorney, Agent, or Firm* — Davis Wright Tremaine LLP

(52) **U.S. Cl.** USPC **D32/19**

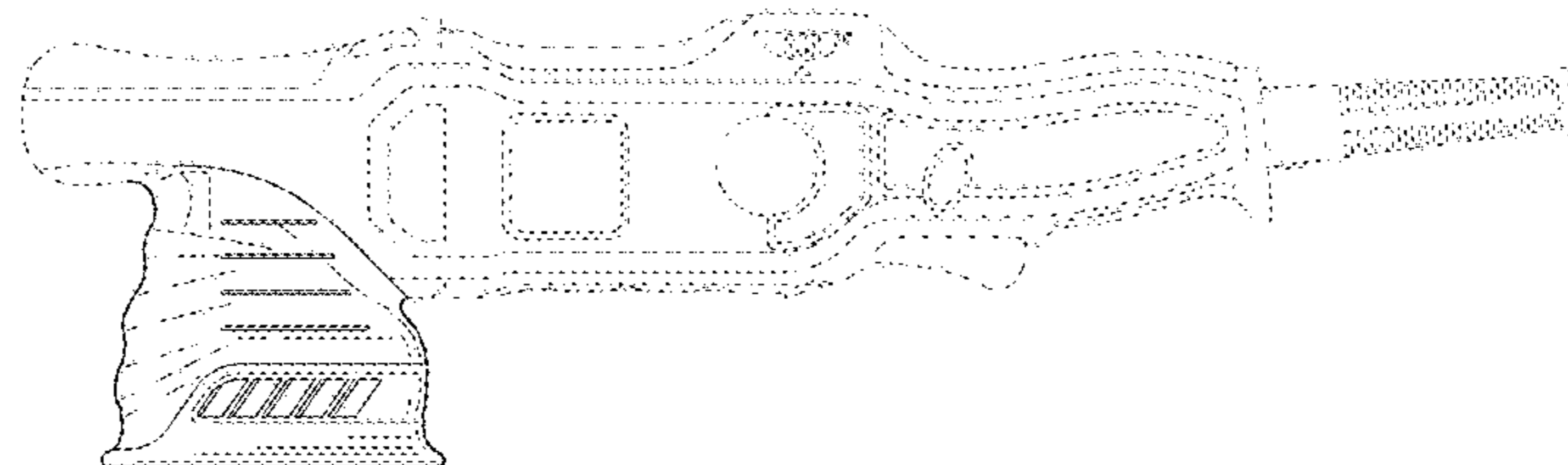
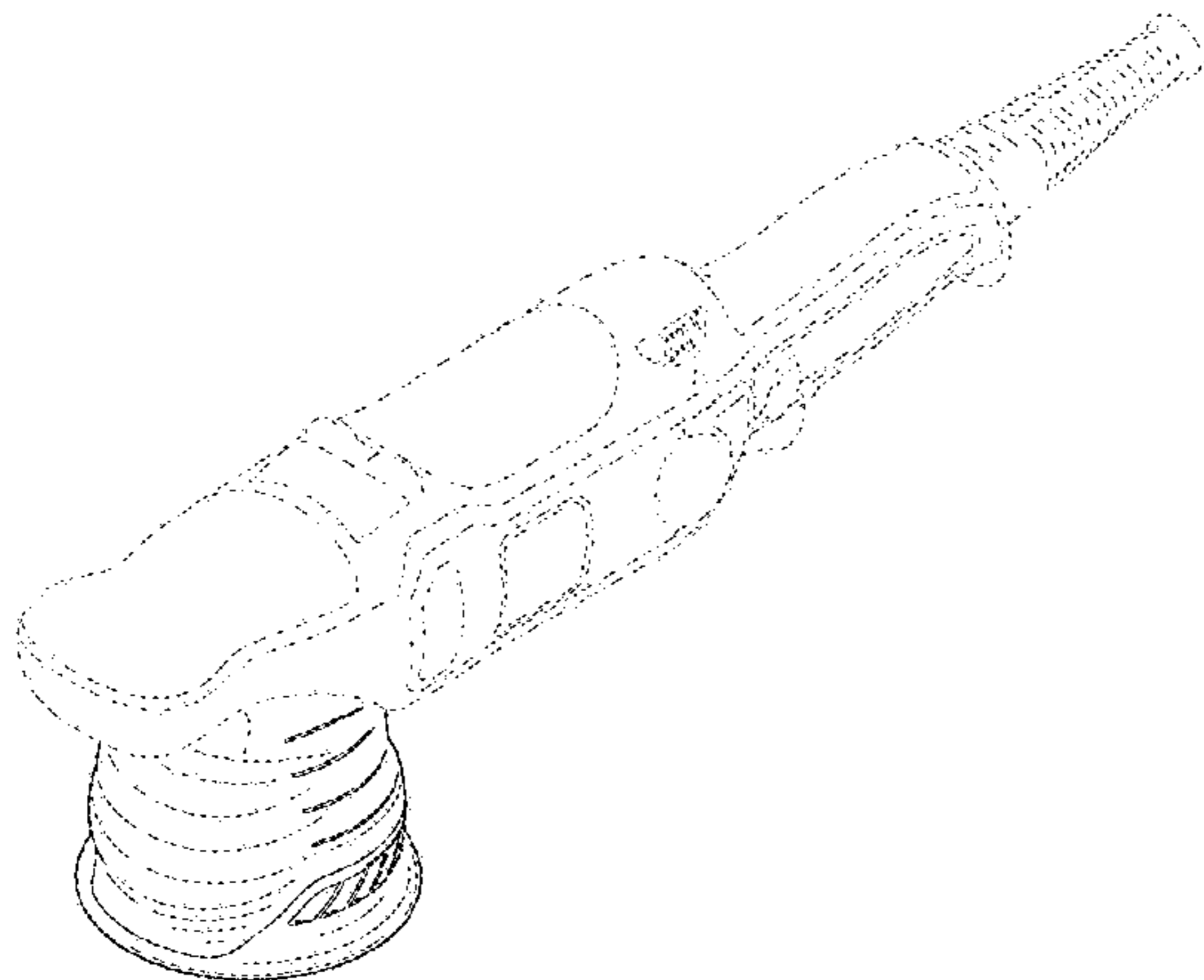
(58) **Field of Classification Search** (57) **CLAIM**
USPC D32/14, 15-16, 19, 25; D8/62 The ornamental design for a polisher, as shown and described.
CPC B08B 3/02; B24B 23/02
See application file for complete search history.

(56) **References Cited** DESCRIPTION
U.S. PATENT DOCUMENTS

2,553,688 A	5/1951	Thompson	
4,102,084 A	7/1978	Bloomquist	
D273,173 S	3/1984	Poon	
D325,796 S *	4/1992	Kallenbach	D32/21
D330,151 S	10/1992	Fisher	
D332,558 S	1/1993	Hoshino et al.	
5,187,827 A	2/1993	Wei	
D334,126 S *	3/1993	Huber	D8/62
D338,754 S	8/1993	Skrzypek et al.	
D353,310 S	12/1994	Izumisawa	
D354,424 S	1/1995	Izumisawa	
D368,343 S	3/1996	Gebhard et al.	
D377,892 S	2/1997	Sung	
D380,069 S *	6/1997	McCracken	D32/19
D381,248 S	7/1997	Sung	
D392,778 S	3/1998	McCracken	

FIG. 1 is top perspective view of a polisher showing our new design;
FIG. 2 is a bottom perspective view thereof;
FIG. 3 is a left side elevational view thereof;
FIG. 4 is a top plan view with portions broken away to fully disclose the claimed design;
FIG. 5 is a right side elevational view of FIG. 1;
FIG. 6 is a bottom plan view thereof;
FIG. 7 is a front elevational view thereof; and,
FIG. 8 is a rear elevational view thereof.
The broken lines in the figures depict portions of the polisher that form no part of the claimed design. The broken away symbols in FIG. 4 are shown to indicate the sections that are not shown. The broken away symbols form no part of the claimed design.

1 Claim, 7 Drawing Sheets



(56)

References Cited

U.S. PATENT DOCUMENTS

D431,437 S 10/2000 Niwa et al.
 D443,397 S 6/2001 Williams
 6,241,594 B1 6/2001 Lepold
 6,342,002 B1 1/2002 Wang
 D469,932 S 2/2003 Liang-Ming
 D471,329 S 3/2003 Heun
 D475,489 S 6/2003 McLelland
 D511,953 S 11/2005 Janson
 D520,688 S 5/2006 Bakker
 D525,752 S 7/2006 Bakker
 7,077,734 B2 7/2006 Tiede et al.
 D526,869 S 8/2006 Heun
 D529,244 S 9/2006 Main
 D534,323 S 12/2006 Hong
 D538,490 S 3/2007 Hong
 D546,155 S 7/2007 Wu et al.
 D548,901 S 8/2007 Hong
 D568,703 S 5/2008 Jiang
 D569,056 S 5/2008 Zhu
 D590,553 S 4/2009 Crevling, Jr. et al.
 D596,362 S 7/2009 Crevling, Jr. et al.
 D645,622 S 9/2011 Wright
 D646,854 S 10/2011 Wright
 9,387,578 B2 7/2016 Kuehne et al.
 D781,008 S 3/2017 Griot et al.
 D786,643 S 5/2017 Valentini et al.
 D790,299 S 6/2017 Waldron
 D792,666 S 7/2017 Brown et al.
 D796,133 S * 8/2017 Larouche D32/31
 D827,404 S * 9/2018 Schneider D8/62
 D830,802 S 10/2018 Okuda et al.
 D859,761 S * 9/2019 Brown D32/19
 D859,762 S * 9/2019 Brown D32/19
 D859,763 S 9/2019 Brown et al.
 D860,556 S * 9/2019 Brown D32/19
 D863,013 S 10/2019 Kawase et al.
 D872,550 S 1/2020 Zhou
 D924,028 S * 7/2021 Gallahar D8/62
 D929,042 S * 8/2021 Lu D28/58

D929,198 S * 8/2021 Gysland D8/62
 D929,199 S * 8/2021 Li D8/62
 2004/0224621 A1 11/2004 Fraser et al.
 2009/0142998 A1 6/2009 Lin
 2014/0131474 A1* 5/2014 Gansebom B08B 3/026
 239/73
 2016/0067726 A1* 3/2016 Gilpatrick B05B 12/004
 239/526
 2016/0084240 A1* 3/2016 Jackson F04B 1/12
 417/364
 2017/0106491 A1 4/2017 Ishikawa et al.
 2018/0222011 A1 8/2018 Eisenblaetter
 2019/0001458 A1* 1/2019 Valentini B24D 7/06
 2019/0001459 A1 1/2019 Valentini
 2019/0118337 A1* 4/2019 Lipson B24B 49/006
 2019/0128392 A1 5/2019 McLain et al.
 2019/0184516 A1* 6/2019 Schneider B24B 45/006
 2021/0060729 A1* 3/2021 McLain B24D 9/08

OTHER PUBLICATIONS

Autogeek, "Griots Garage 6 Inch Random Orbital Polisher 3rd Generation," Web Archive Nov. 1, 2012, <https://web.archive.org/web/20121101102903/https://www.autogeek.net/new-griots-polisher.html>, 3 pages.
 Autogeek, "Griots Garage 6 Inch Random Orbital Polisher," Mar. 30, 2013 [retrieved May 13, 2018], <http://www.autogeek.net/new-griots-polisher.html>, 8 pages.
 Autogeek, "Griott's Garage Professional Random Orbital 3 Inch Polisher," Wayback Machine copy dated Jun. 12, 2010, <https://web.archive.org/web/20100612210407/https://www.autogeek.net/griots-orbital-polisher.html> Jun. 12, 2010, 3 pages.
 Yahoo, "6 Inch Orbital Tech," Web Archive copy Jun. 13, 2013, <https://web.archive.org/web/20130613203238/https://lib.store.yahoo.net/lib/autogeek/griots-6-inch-breakdown.jpg>, 2 pages.
 Griot's Garage GS Polisher, Date Visited: May 18, 2021, Griot's Garage, Date Available: May 18, 2021, <https://clean-garage.com/griot-garage-g8-polisher-3-and-2-random-orbital-da/> (Year: 2021)

* cited by examiner

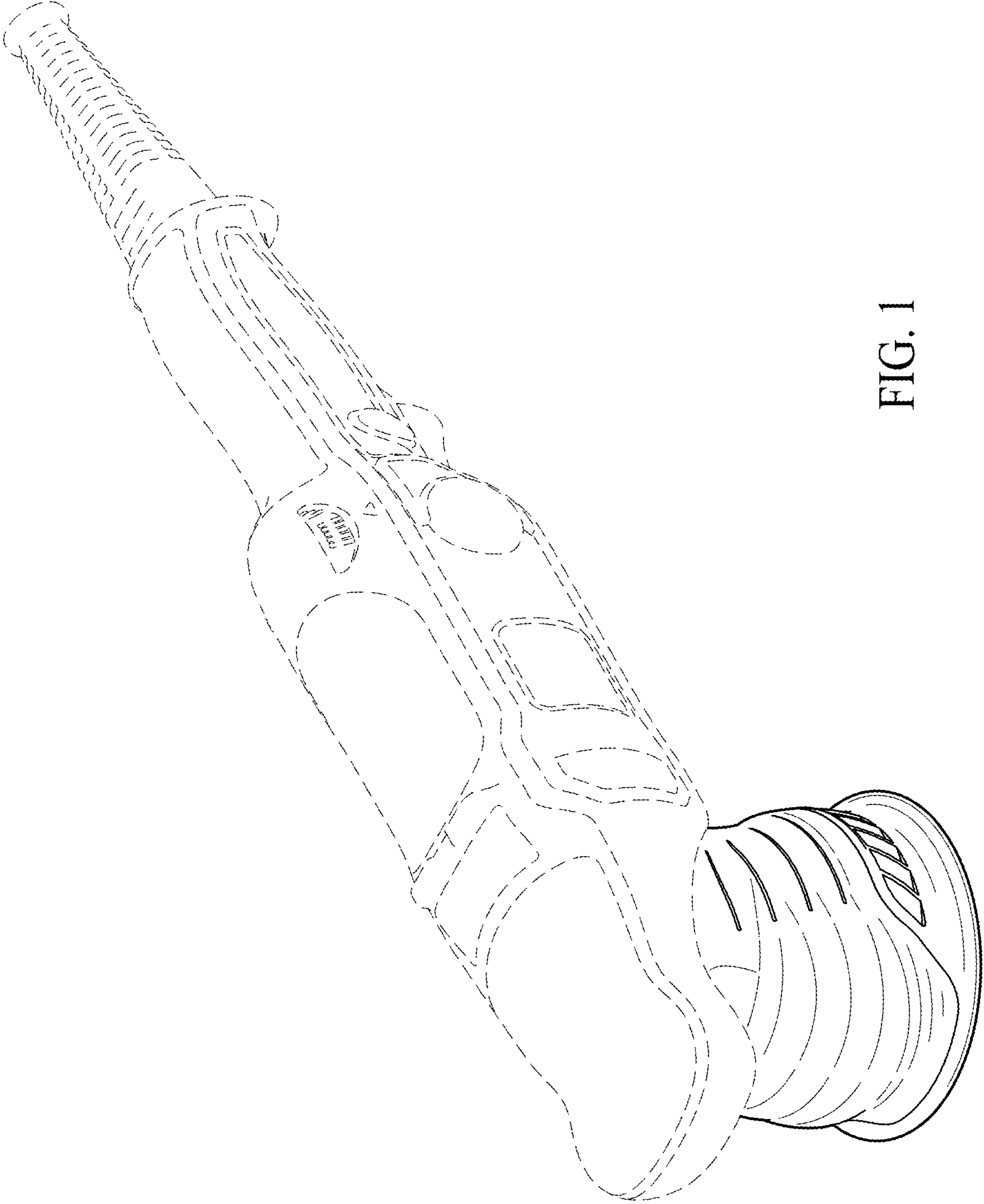


FIG. 1

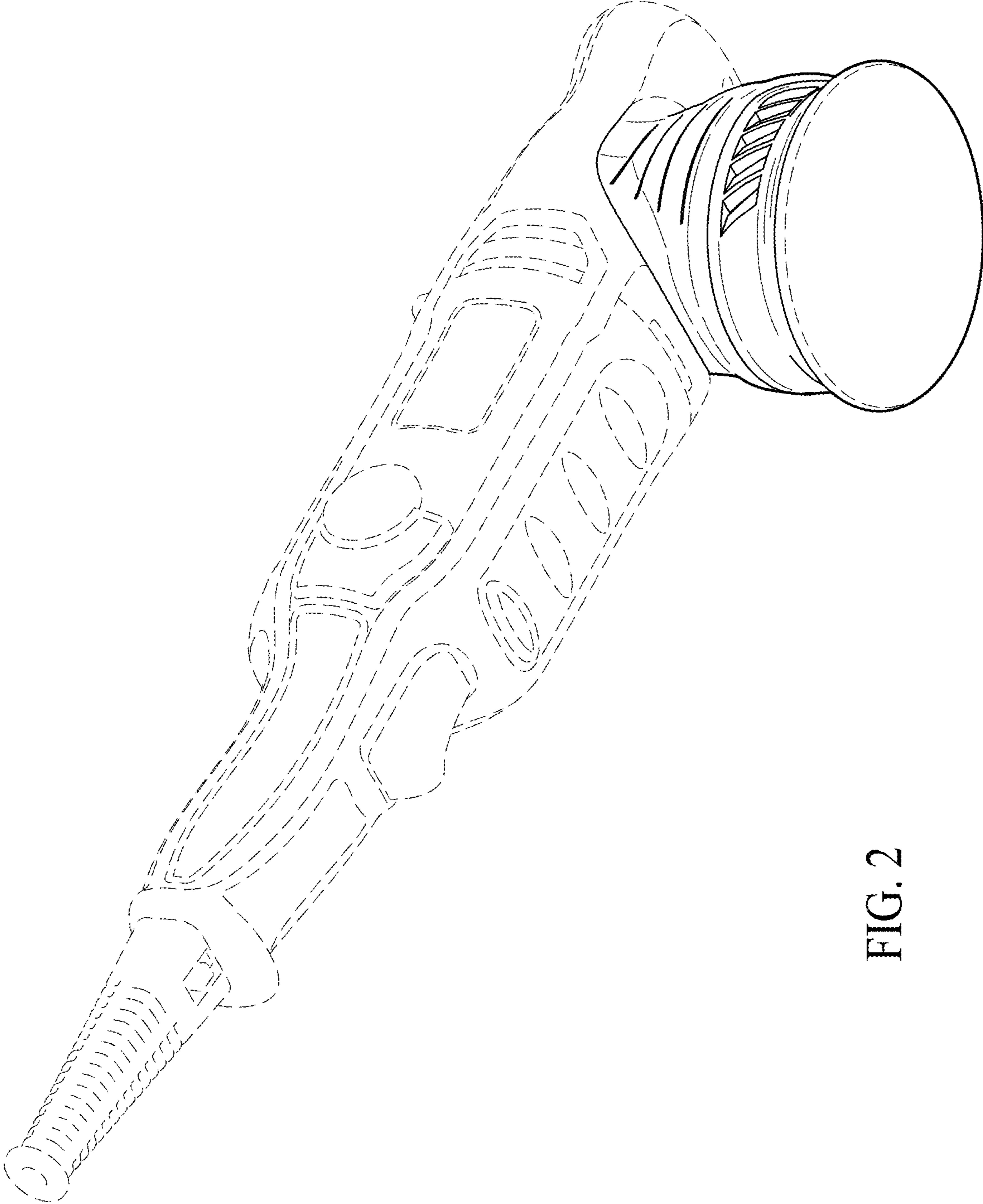


FIG. 2

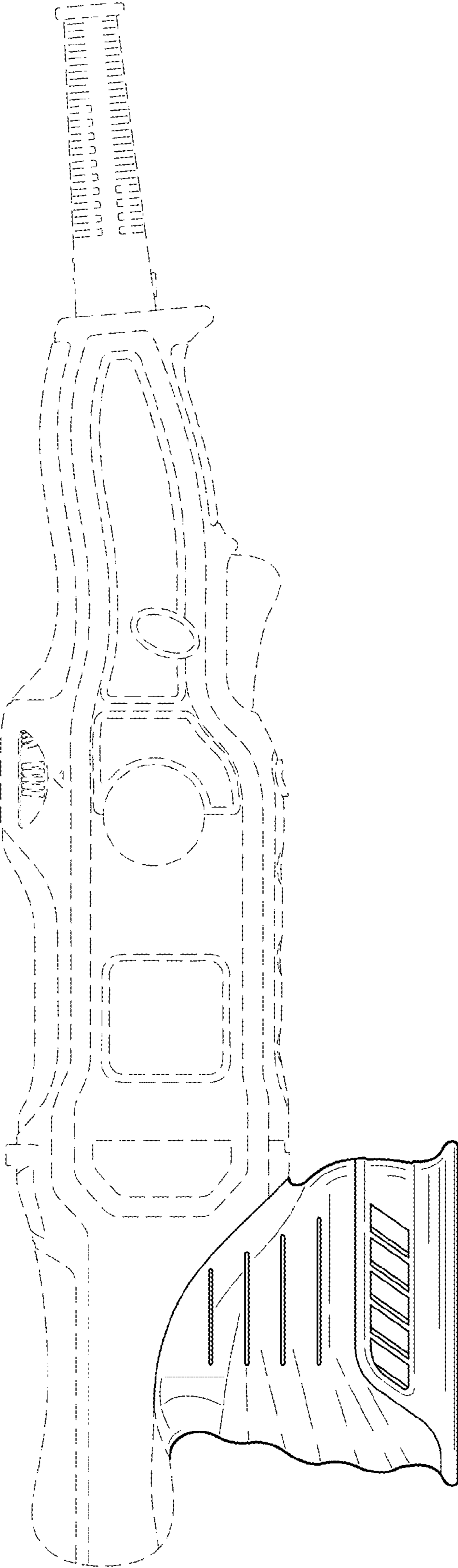


FIG. 3

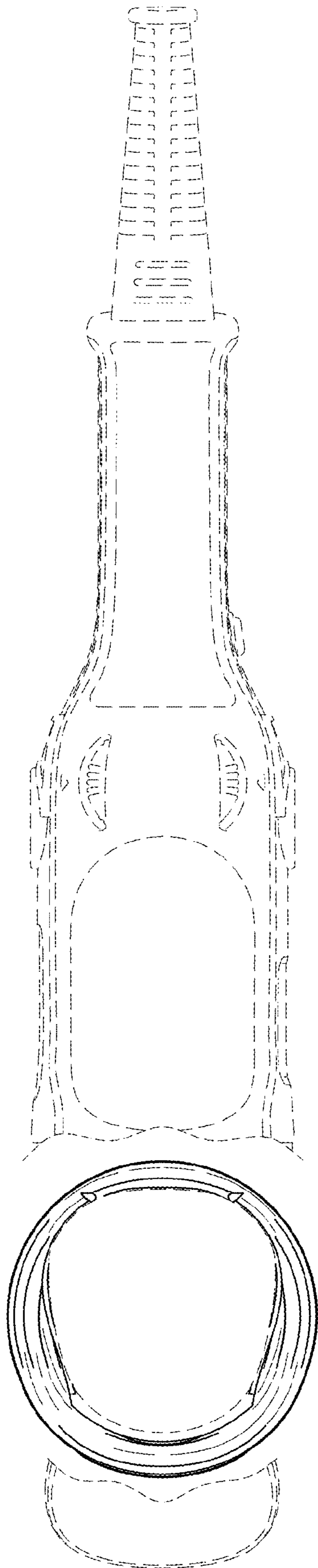


FIG. 4

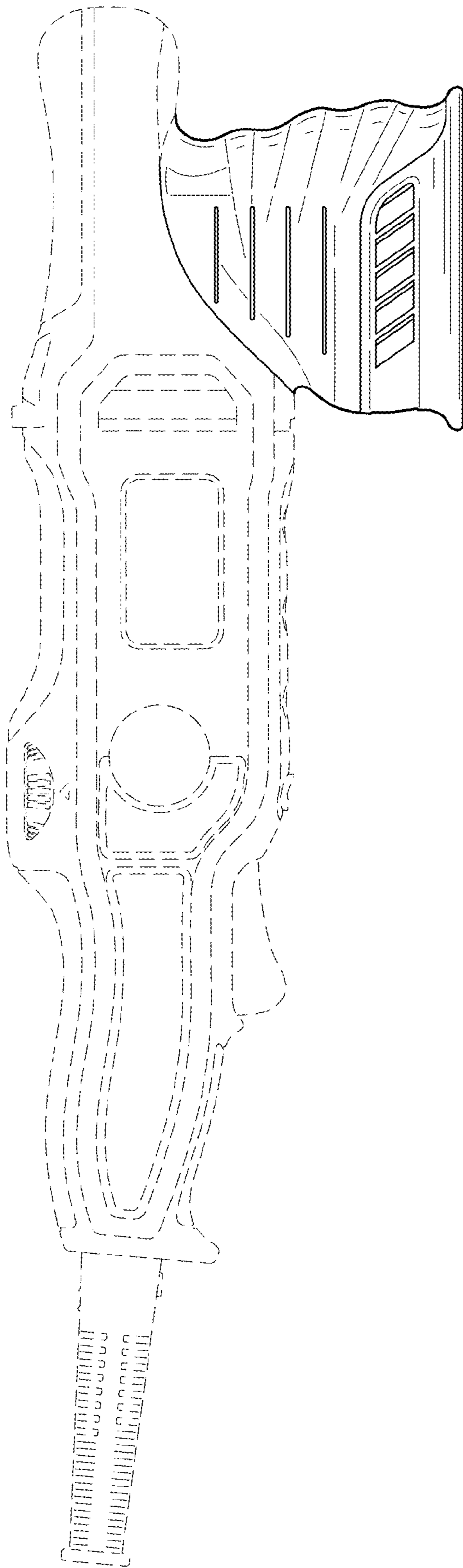


FIG. 5

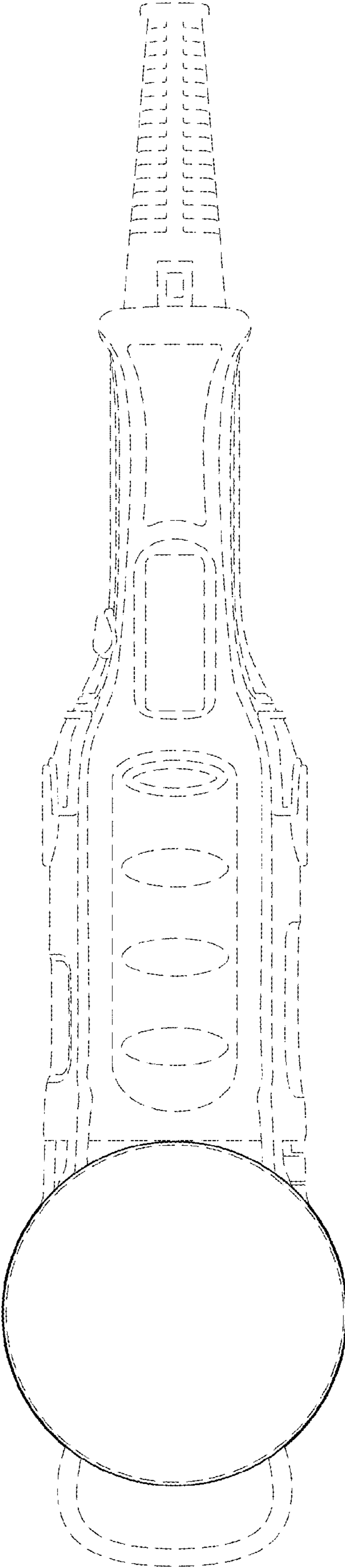


FIG. 6

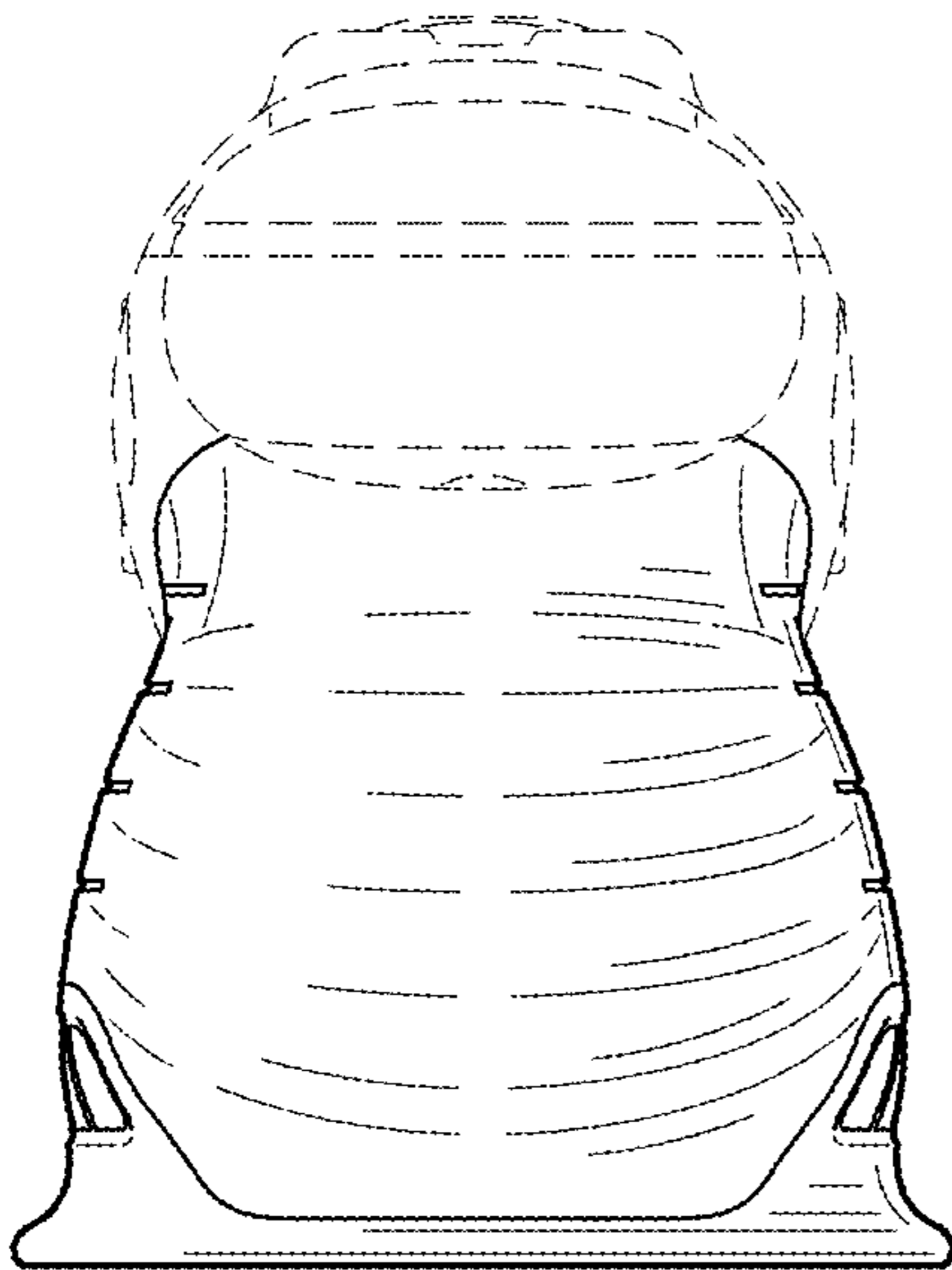


FIG. 7

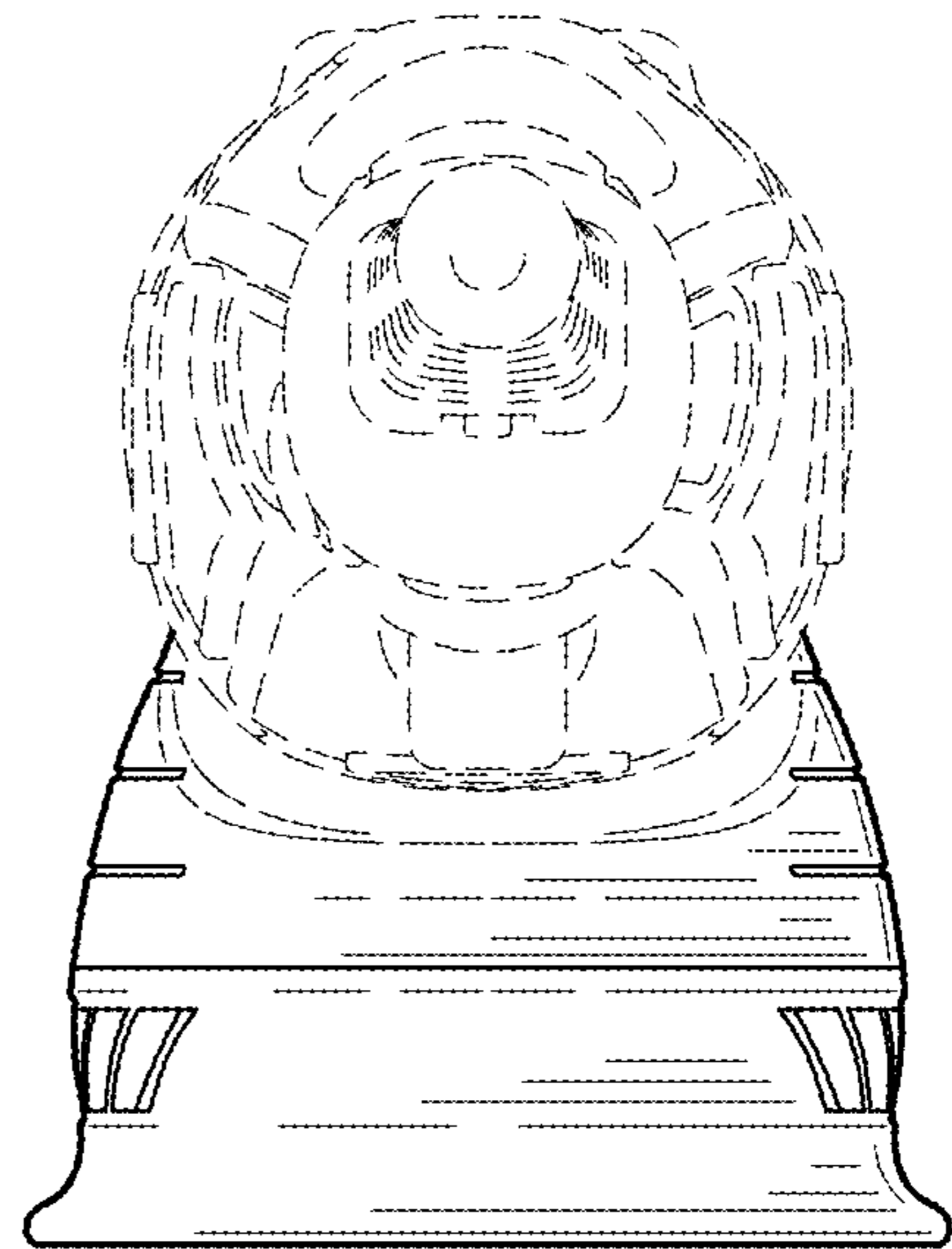


FIG. 8