



US00D957767S

(12) **United States Design Patent** (10) **Patent No.:** **US D957,767 S**
Cai (45) **Date of Patent:** **** Jul. 12, 2022**

(54) **VACUUM CLEANER**
(71) Applicant: **FORNICE INTELLIGENT TECHNOLOGY CO., LTD,**
Guangdong (CN)
(72) Inventor: **Zhan Cai,** Guangdong (CN)
(73) Assignee: **FORNICE INTELLIGENT TECHNOLOGY CO., LTD,**
Guangdong (CN)

D929,685 S * 8/2021 Choi D32/18
D929,686 S * 8/2021 Uim D32/18
D930,296 S * 9/2021 Song D32/18
D932,122 S * 9/2021 Xu D32/18
D940,413 S * 1/2022 Zou D32/18
2018/0055313 A1* 3/2018 Yang A47L 9/0427
2019/0200824 A1* 7/2019 Campbell-Hill A47L 9/102
2019/0200825 A1* 7/2019 Crouch A47L 9/165
2019/0200830 A1* 7/2019 Crouch A47L 9/0693
2020/0069131 A1* 3/2020 Jung A47L 9/244

(Continued)

(**) Term: **15 Years**
(21) Appl. No.: **29/795,145**
(22) Filed: **Jun. 17, 2021**

FOREIGN PATENT DOCUMENTS

CN 307035416 * 12/2021
EM 007455357-0001 1/2020
EM 008484372-0001 * 4/2021

(30) **Foreign Application Priority Data**

Mar. 31, 2021 (CN) 202130178425.2

(51) **LOC (13) Cl.** **15-05**

(52) **U.S. Cl.**
USPC **D32/18**

(58) **Field of Classification Search**
USPC D32/17, 18, 21, 23, 25, 31, 32, 33, 34
CPC A47L 11/24; A47L 11/33; A47L 11/32;
A47L 9/1666; A47L 9/1608; A47L 11/00;
A47L 11/38; A47L 5/24; Y10S 55/03
See application file for complete search history.

OTHER PUBLICATIONS

Amazon.co.uk. Samsung Jet 70 https://www.amazon.co.uk/Samsung-VS15T7036R5/dp/B08JCXJY3G/ref=sr_1_5 (Year: 2020).*

(Continued)

Primary Examiner — Michelle E. Wilson
Assistant Examiner — Richard E Yenchesky
(74) *Attorney, Agent, or Firm* — JCIP Global Inc.

(57) **CLAIM**

The ornamental design for a vacuum cleaner, as shown.

DESCRIPTION

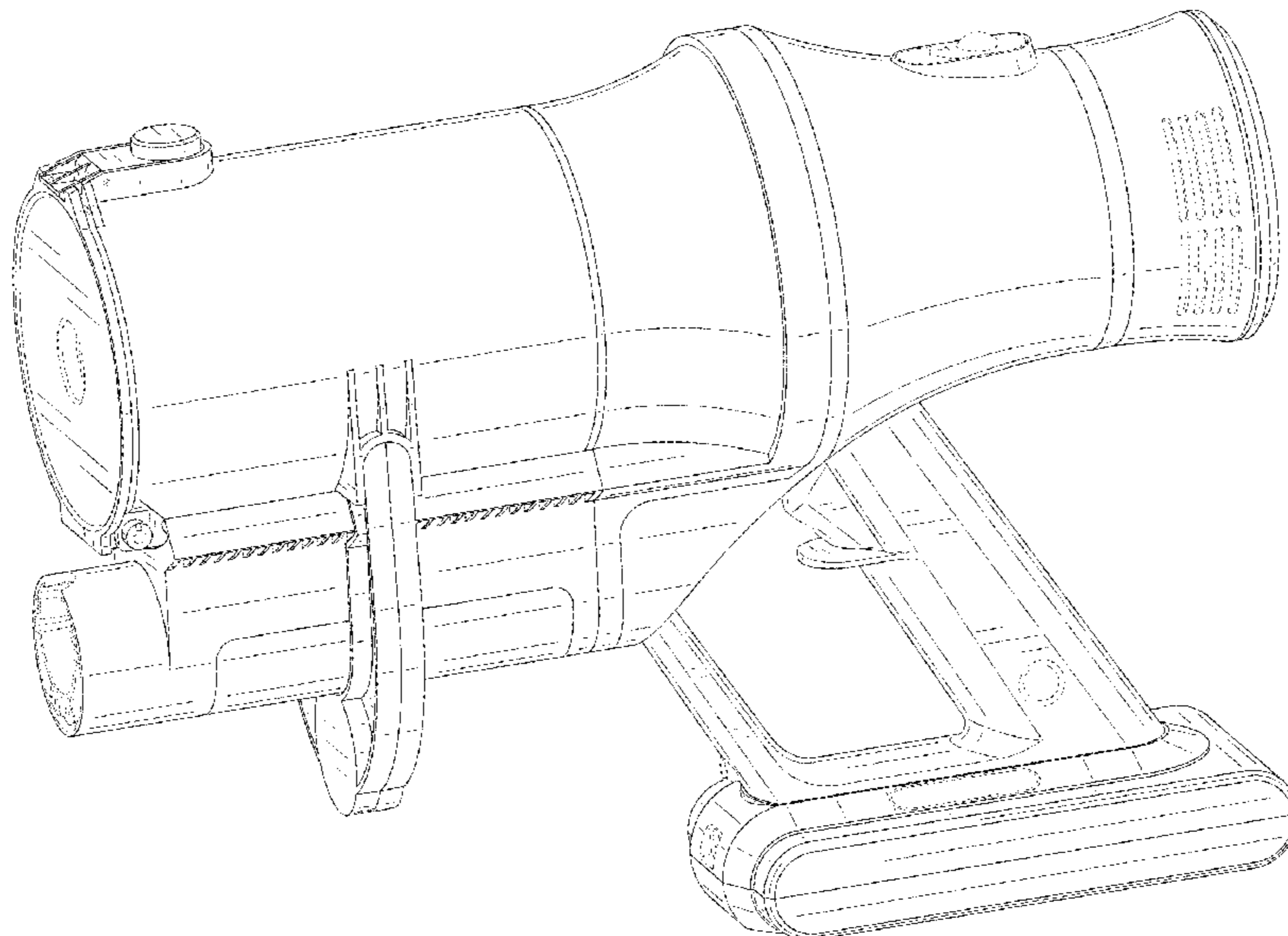
FIG. 1 is a perspective view of a vacuum cleaner showing my new design;
FIG. 2 is a front view thereof,
FIG. 3 is a rear view thereof;
FIG. 4 is a left side view thereof;
FIG. 5 is a right side view thereof;
FIG. 6 is a top view thereof; and,
FIG. 7 is a bottom view thereof.

(56) **References Cited**

U.S. PATENT DOCUMENTS

D804,114 S * 11/2017 Kim D32/18
D844,912 S * 4/2019 Gammack D32/18
D861,265 S * 9/2019 Gammack D32/18
D879,395 S 3/2020 Pearce et al.
D901,109 S * 11/2020 Chen D32/18
D912,344 S * 3/2021 Choi D32/22
D922,010 S * 6/2021 Lin D32/18
D927,110 S * 8/2021 Ma D32/18

1 Claim, 7 Drawing Sheets



(56)

References Cited

U.S. PATENT DOCUMENTS

2020/0230621 A1* 7/2020 Conrad B04C 9/00
2020/0230623 A1* 7/2020 Conrad B04C 5/103
2020/0245833 A1* 8/2020 Lee A47L 5/26
2021/0052121 A1* 2/2021 Kim A47L 9/1683
2021/0068603 A1* 3/2021 Cho A47L 9/19

OTHER PUBLICATIONS

Amazon.co.uk Samsung Jet 60 https://www.amazon.co.uk/Samsung-VS15A6032R5-EU-Vacuum-Cleaner/dp/B096KR3Y5G/ref=psdc_125698031_t1_B08JCXJY3G (Year: 2021).*

* cited by examiner

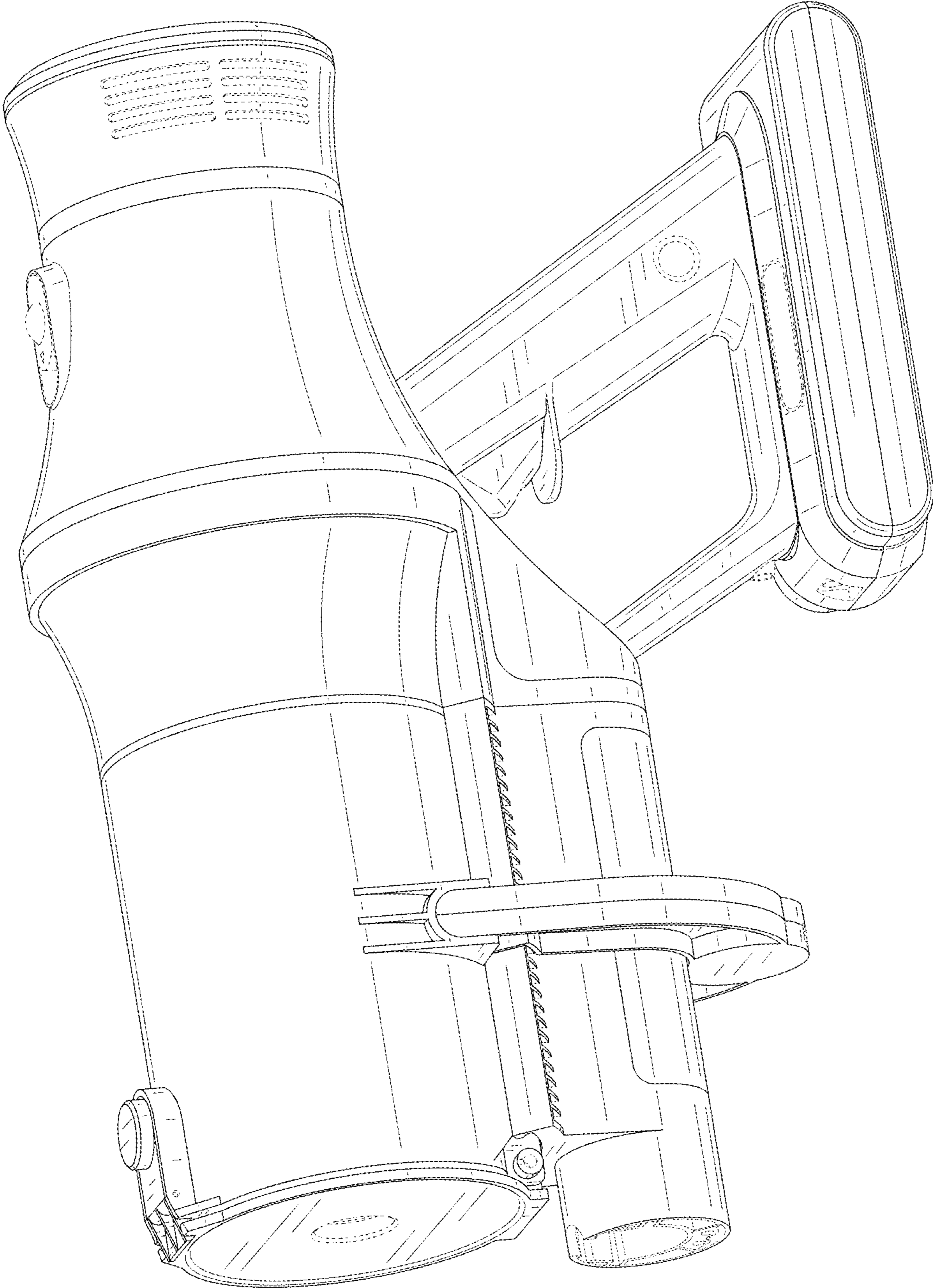


FIG. 1

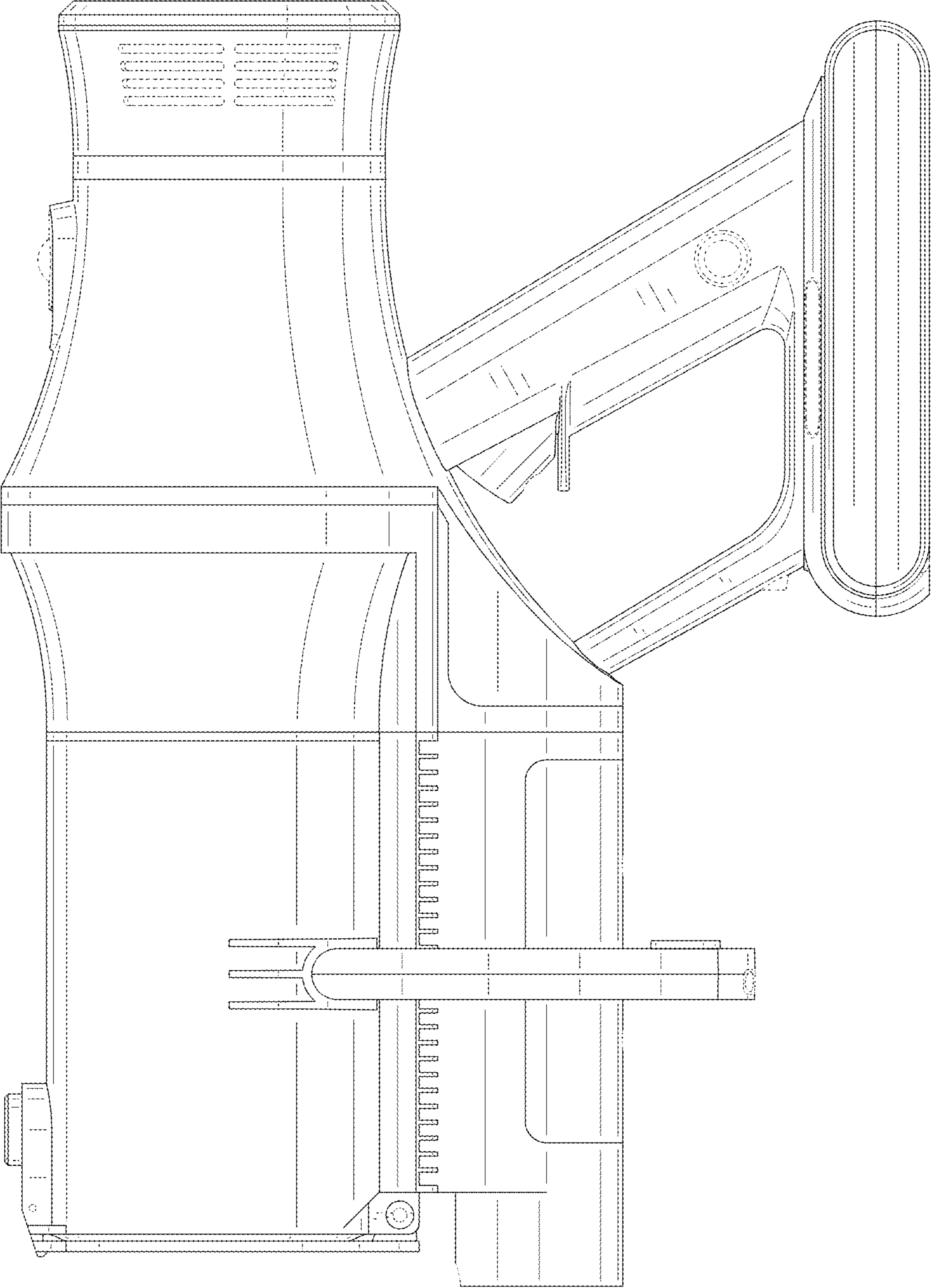


FIG. 2

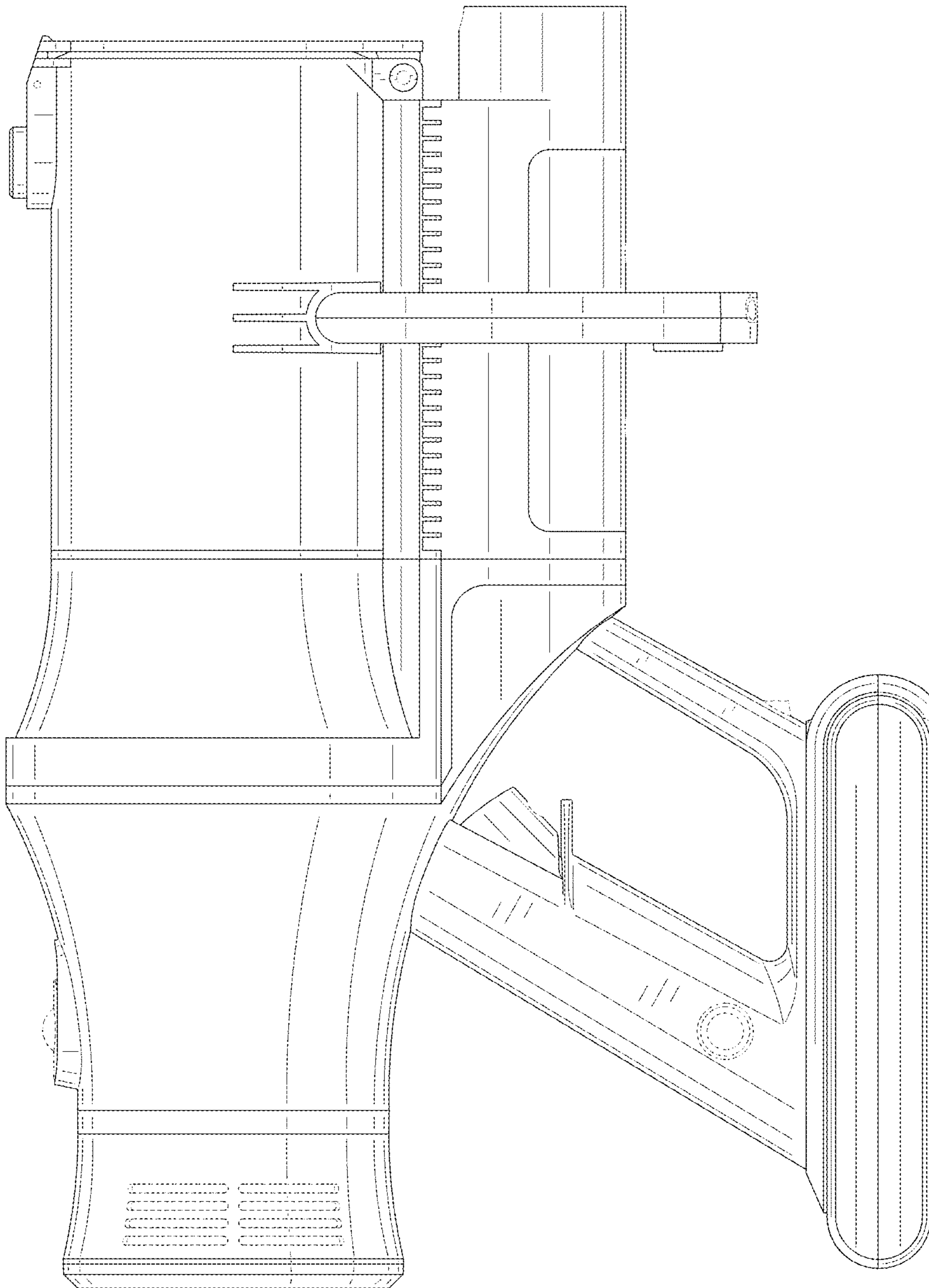


FIG. 3

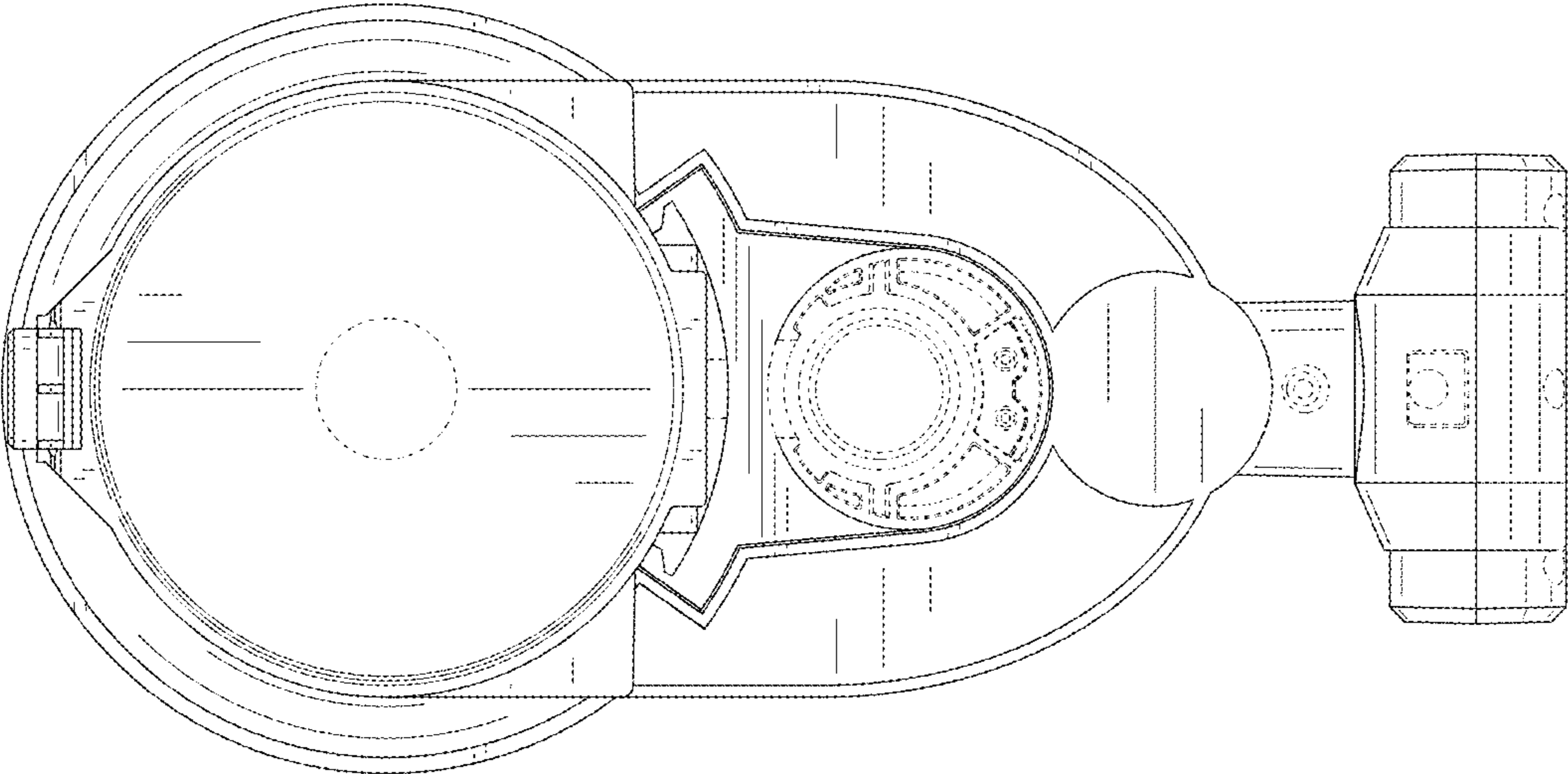


FIG. 4

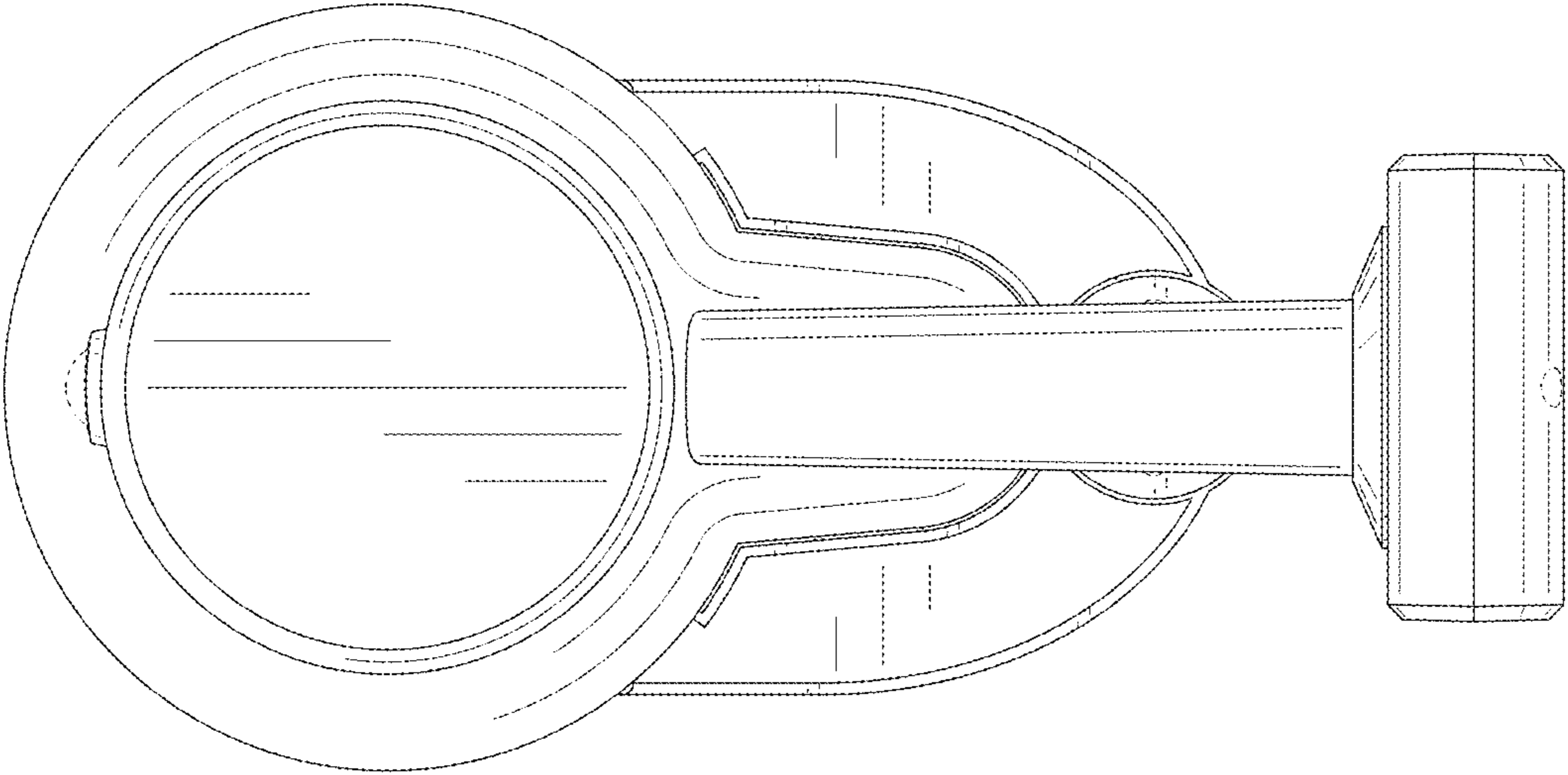


FIG. 5

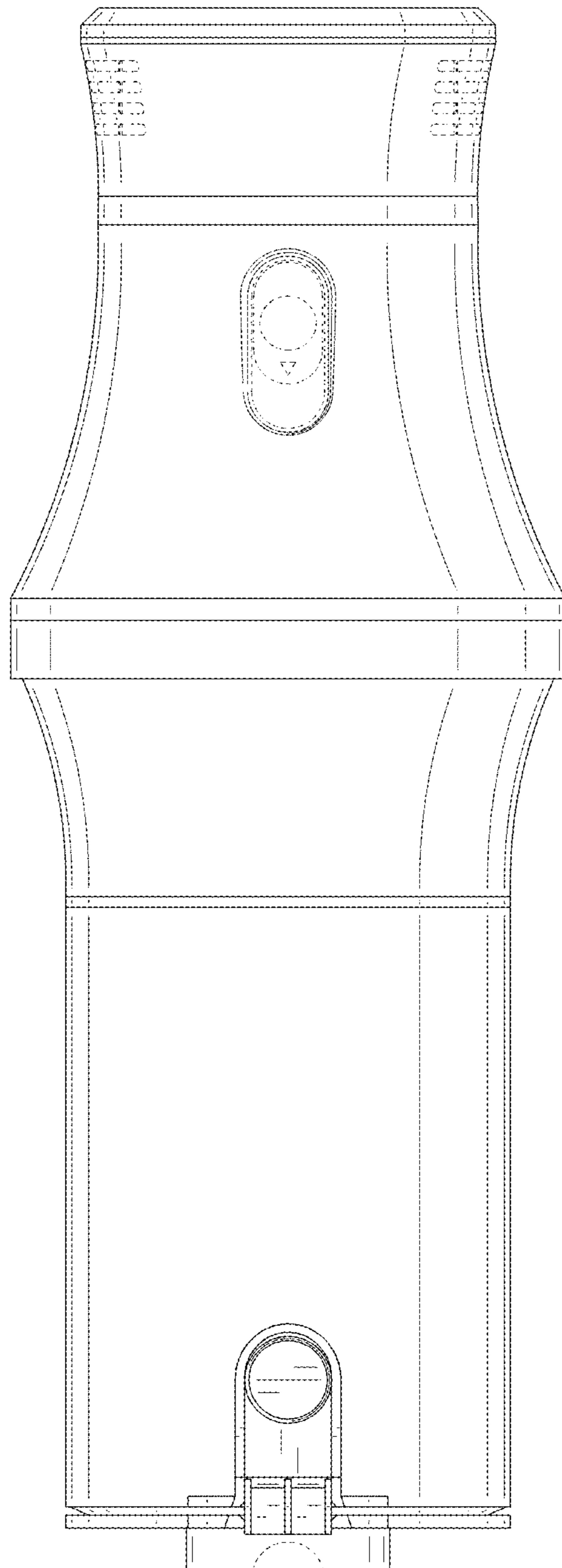


FIG. 6

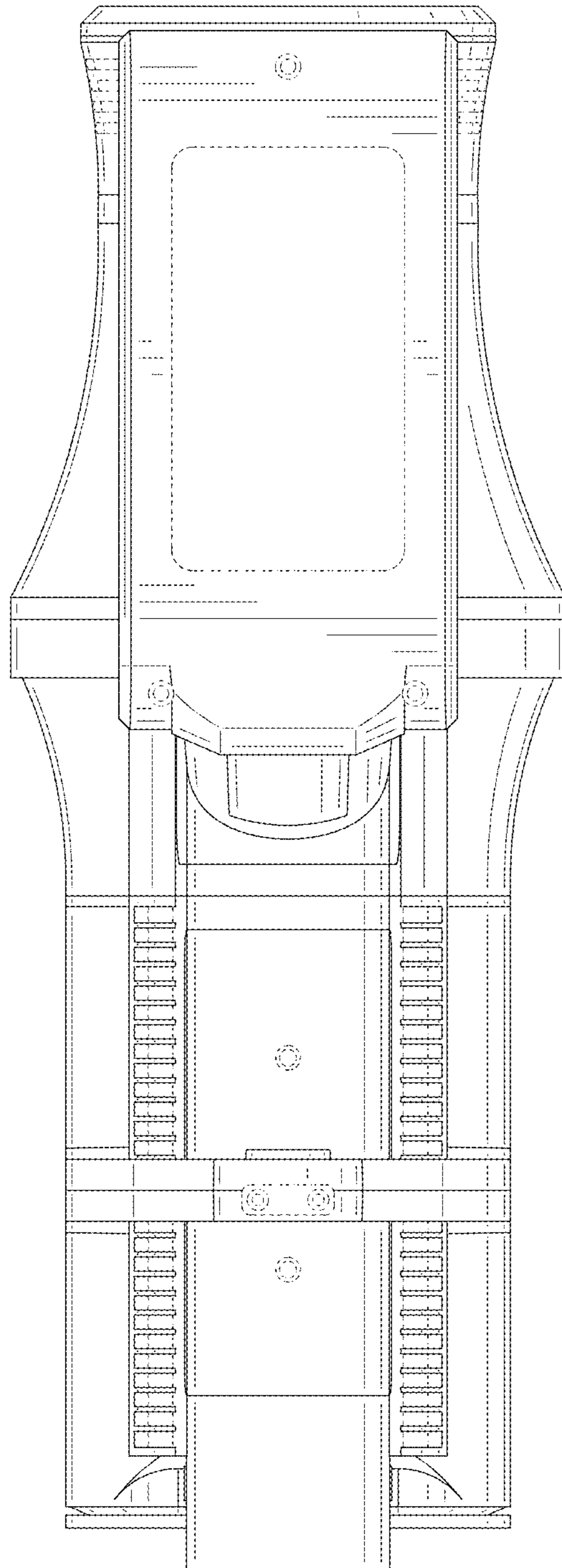


FIG. 7