



US00D957763S

(12) **United States Design Patent**  
**Jia**

(10) **Patent No.:** **US D957,763 S**  
(45) **Date of Patent:** **\*\* Jul. 12, 2022**

(54) **STOP BARKING DEVICE**

(71) Applicant: **Shenzhen Smart Pet Technology Co., Ltd, Shenzhen (CN)**

(72) Inventor: **Yaya Jia, Shenzhen (CN)**

(73) Assignee: **Shenzhen Smart Pet Technology Co., Ltd, Shenzhen (CN)**

(\*\*) Term: **15 Years**

(21) Appl. No.: **29/802,393**

(22) Filed: **Aug. 4, 2021**

(51) **LOC (13) Cl.** ..... **30-99**

(52) **U.S. Cl.**  
USPC ..... **D30/199; D10/104.1**

(58) **Field of Classification Search**  
USPC ..... D30/151-155, 144, 199, 160;  
119/792-798, 850, 855-859, 863-865,  
119/654, 905, 907, 815, 712, 802, 784,  
119/769, 760, 776, 862, 908, 860,  
119/719-721; 242/381.1-381.2, 385.4,  
242/378.3, 376.1, 385.1, 916, 601, 570,  
242/405, 404, 371, 223, 170, 388.1,  
242/405.2, 377, 381.3, 381.6, 405.3,  
242/388.6, 384.7, 382, 396.1, 404.1, 380;  
362/108; 33/767, 769, 414; D12/400;  
D3/229, 230, 207, 208, 215; 40/1.5, 455,  
40/640, 303; 206/63.3, 459.5, 702, 408;  
D6/515; D8/358, 360, 347, 360.1, 359,  
D8/356, DIG. 1; D24/145, 167, 186, 146,  
D24/169; D10/57, 72, 106.1, 104.1,  
D10/104.2, 109.2, 70, 97, 98, 78, 65;  
D20/28; 224/666, 678; 16/445; 283/74,  
283/70; D11/232, 200, 216, 1, 2, 86, 87,  
D11/201, 206-210, 212-215, 218;  
24/163 K, 122.3, 323, 702, 600.4-600.7,  
24/163 R, 169-171, 173, 177-179, 191,  
24/194, 195, 197, 200, 303, 616, 635,  
24/313, 615, 3, 6, 3 K, 599.2, 96, 221,

24/237, 311, 312, 314, 321, 338, 339,  
24/309; 428/3, 4; 54/76.1, 71; 63/29.1,  
63/3; 191/12.2 R, 12.4; D13/154, 153,  
D13/137.4, 155, 103, 168; D19/69, 67;  
379/438; 473/576; D22/140; 174/135;  
439/504, 13, 501; D34/33; 188/83, 82.1,  
188/65.1; 254/134.3 FT; D29/124;  
D2/627, 624, 633, 625; 132/145, 146,  
132/148; 2/314; 59/79.1; 340/573.3,  
340/573.1, 573, 573.4, 539.13-539.19;  
(Continued)

(56) **References Cited**

U.S. PATENT DOCUMENTS

9,756,833 B2 \* 9/2017 So ..... A01K 15/021  
9,861,080 B1 \* 1/2018 Hathway ..... A01K 27/001  
(Continued)

*Primary Examiner* — Susan Moon Lee  
(74) *Attorney, Agent, or Firm* — True Shepherd LLC;  
Andrew C. Cheng

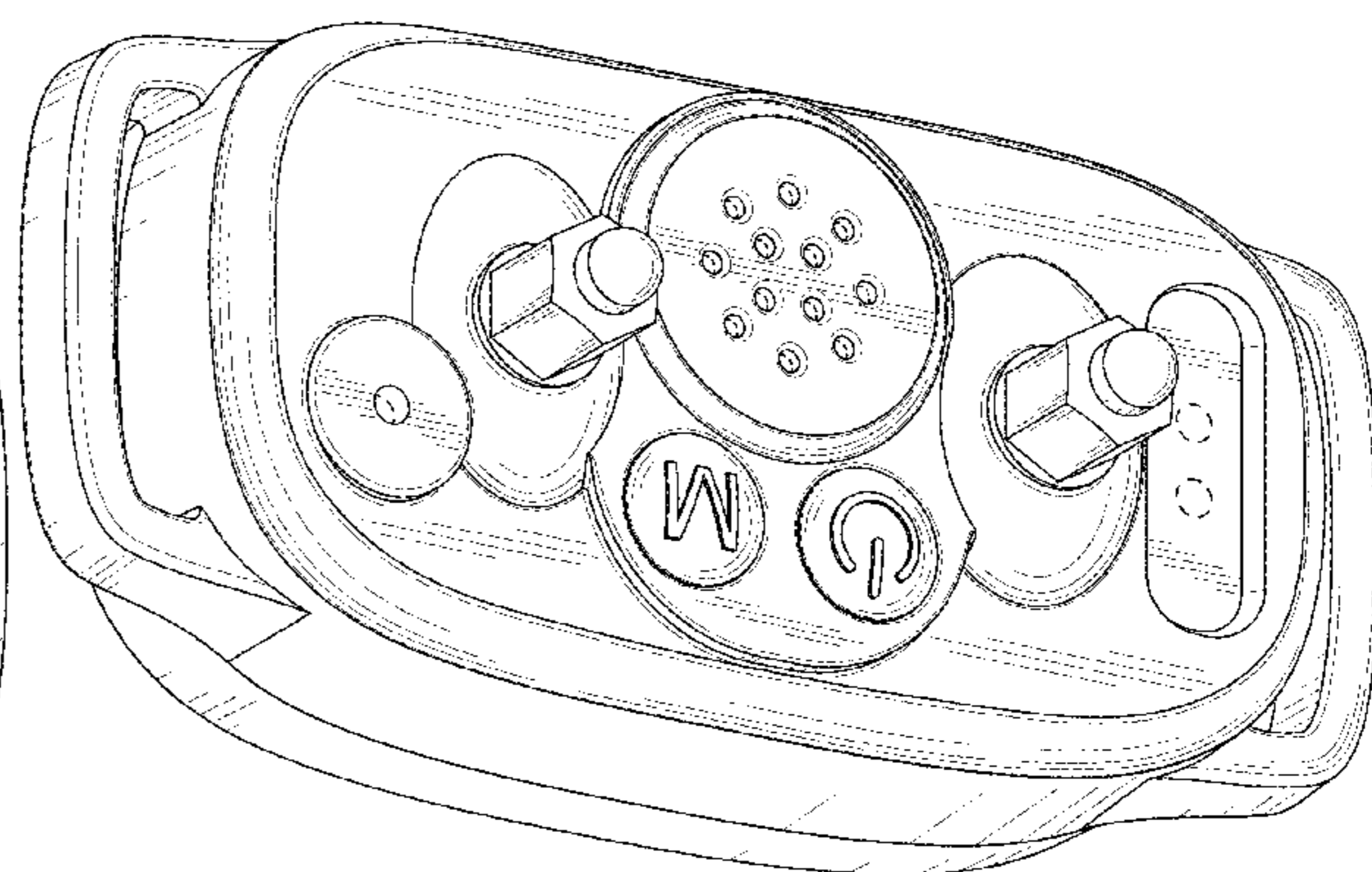
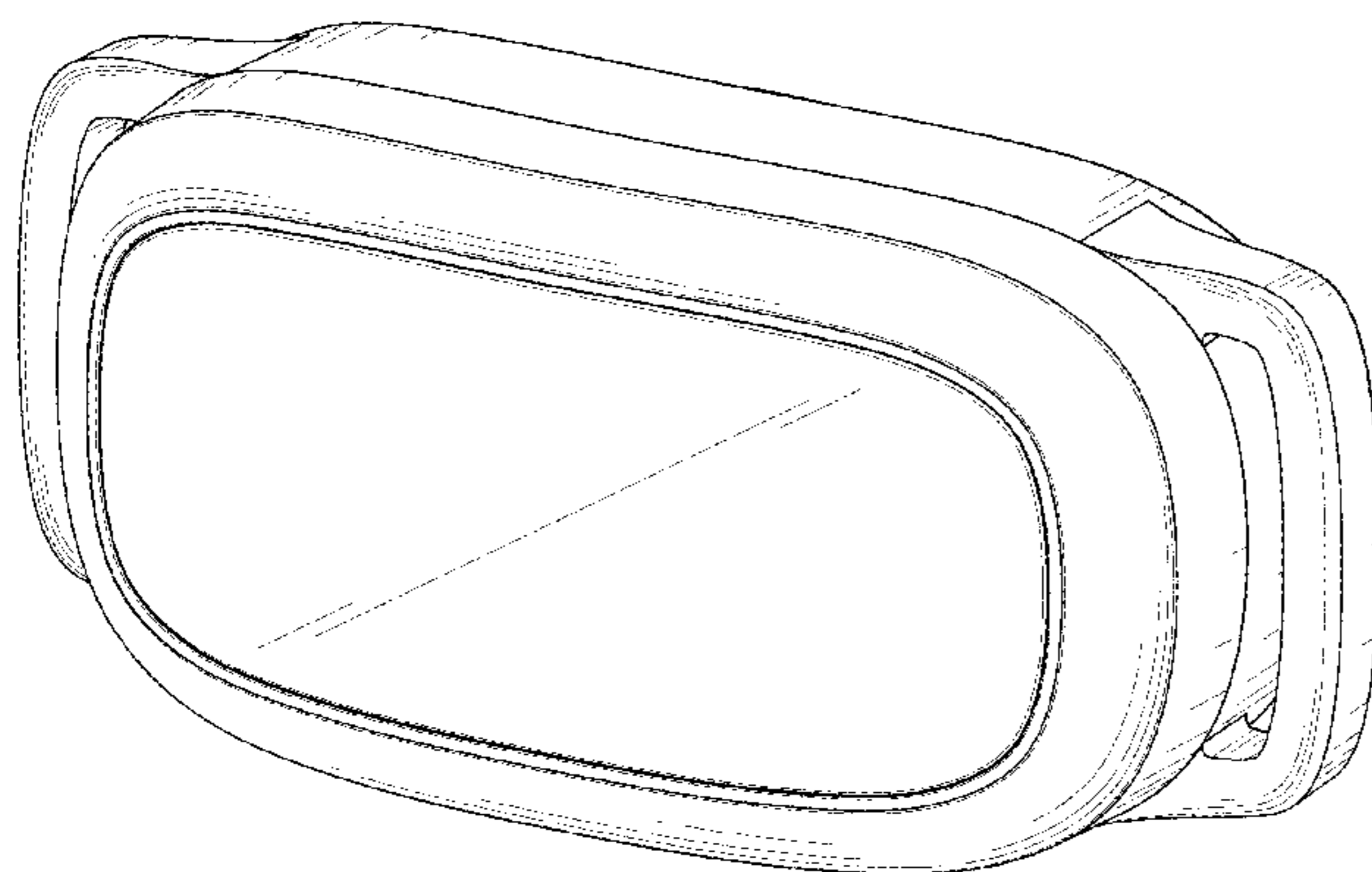
(57) **CLAIM**

The ornamental design for a stop barking device, as shown and described.

**DESCRIPTION**

FIG. 1 is a perspective view of a stop barking device showing my new design;  
FIG. 2 is another perspective view thereof;  
FIG. 3 is a front view thereof;  
FIG. 4 is a rear view thereof;  
FIG. 5 is a left side view thereof;  
FIG. 6 is a right side view thereof;  
FIG. 7 is a top plan view thereof; and,  
FIG. 8 is a bottom plan view thereof.  
The broken lines depict portions of the stop barking device and form no part of the claimed design.

**1 Claim, 8 Drawing Sheets**



(58) **Field of Classification Search**

USPC ..... 343/895; 278/8 AES; 231/7; 361/232;  
D14/344, 341, 137, 155, 496, 203.5,  
D14/203.3, 144, 218, 188, 216, 192;  
342/357.51, 357.57, 357.52, 357.55;  
455/100, 352, 456.1, 550.1; 315/291  
CPC .... A01K 15/021; A01K 15/02; A01K 15/022;  
A01K 15/023; A01K 15/029; A01K  
15/04; A01K 15/00; A01K 15/006; A01K  
12/022; A01K 27/009; A01K 27/00;  
A01K 27/001; A01K 27/006-008; A01K  
29/005; A01K 29/00; A61B 5/0002-0028;  
A61B 5/681; A61B 5/6822; A61B  
5/6824; A61B 5/6829; G01S 5/0294

See application file for complete search history.

(56) **References Cited**

U.S. PATENT DOCUMENTS

D834,769 S 11/2018 Wen  
D865,546 S \* 11/2019 Kellock ..... D10/70  
D872,383 S 1/2020 Darnell et al.  
D888,353 S 6/2020 Lan et al.  
D898,307 S \* 10/2020 Yang ..... D10/104.1  
D898,613 S \* 10/2020 Stapleton ..... D11/216  
D925,141 S \* 7/2021 Lai ..... D10/104.1  
11,172,649 B2 \* 11/2021 Brayer ..... A01K 27/005  
D944,470 S \* 2/2022 Li ..... D10/104.1  
D948,814 S \* 4/2022 Jin ..... D10/104.1  
D948,816 S \* 4/2022 Jin ..... D10/104.1

\* cited by examiner

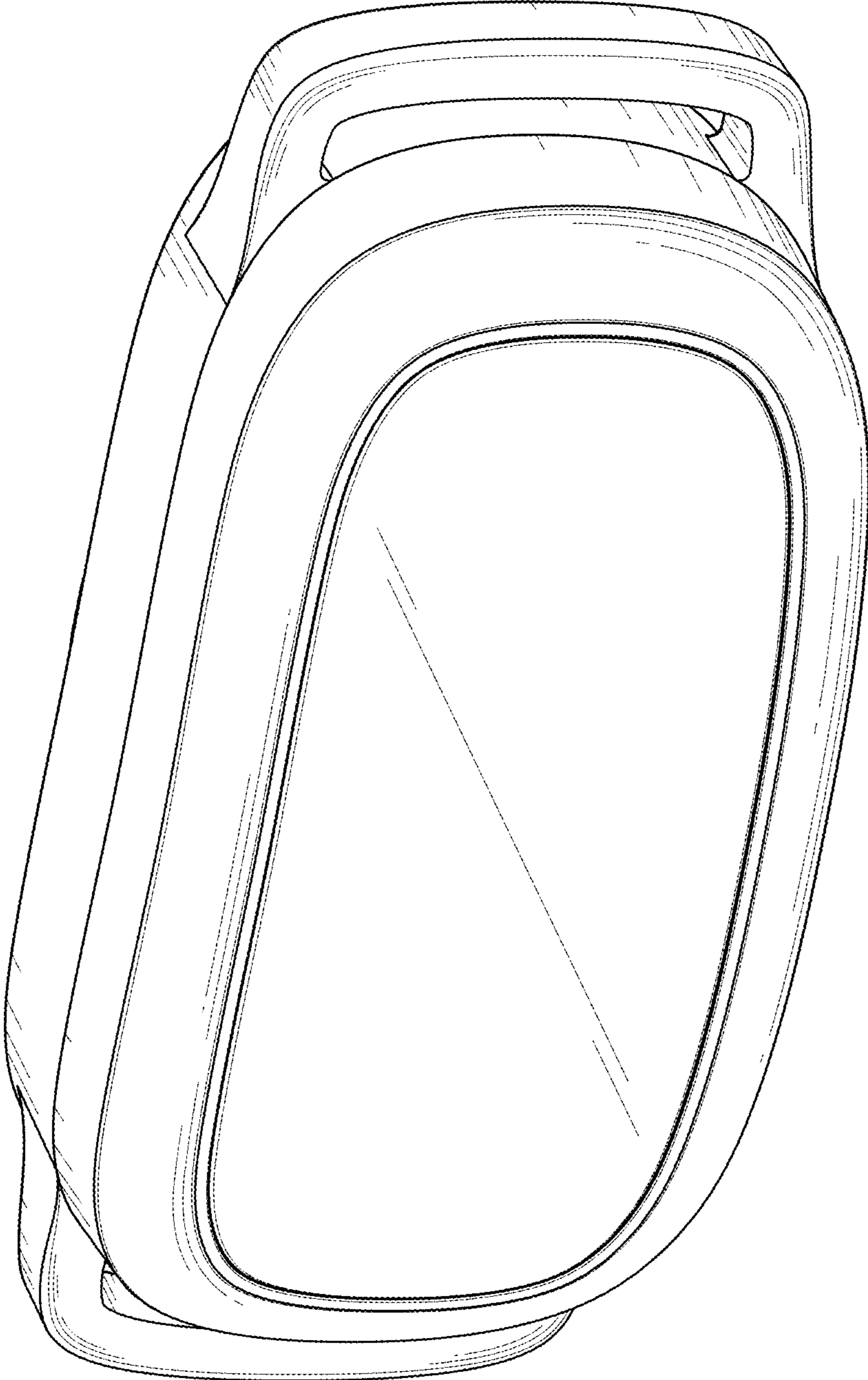


FIG. 1



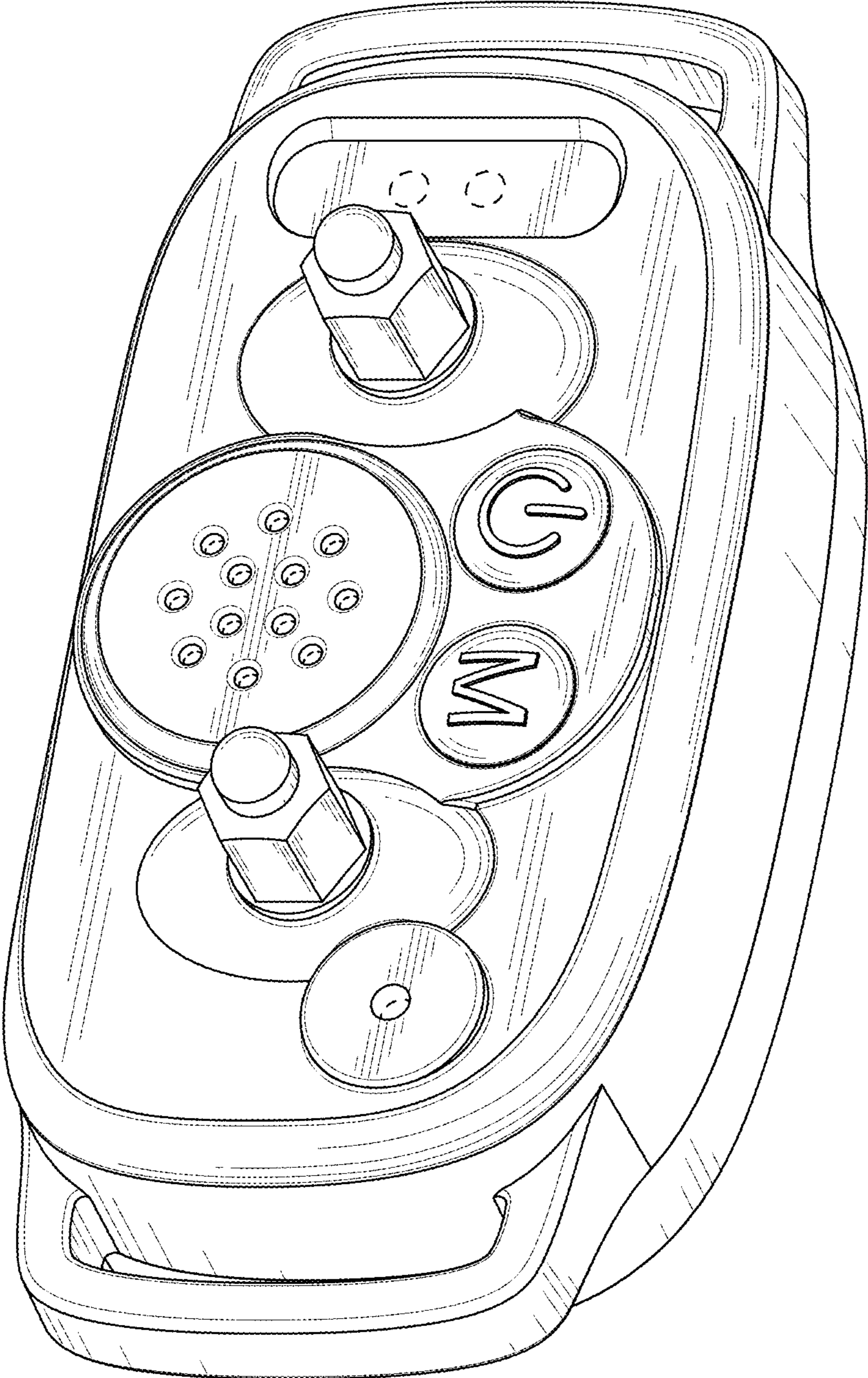


FIG. 2

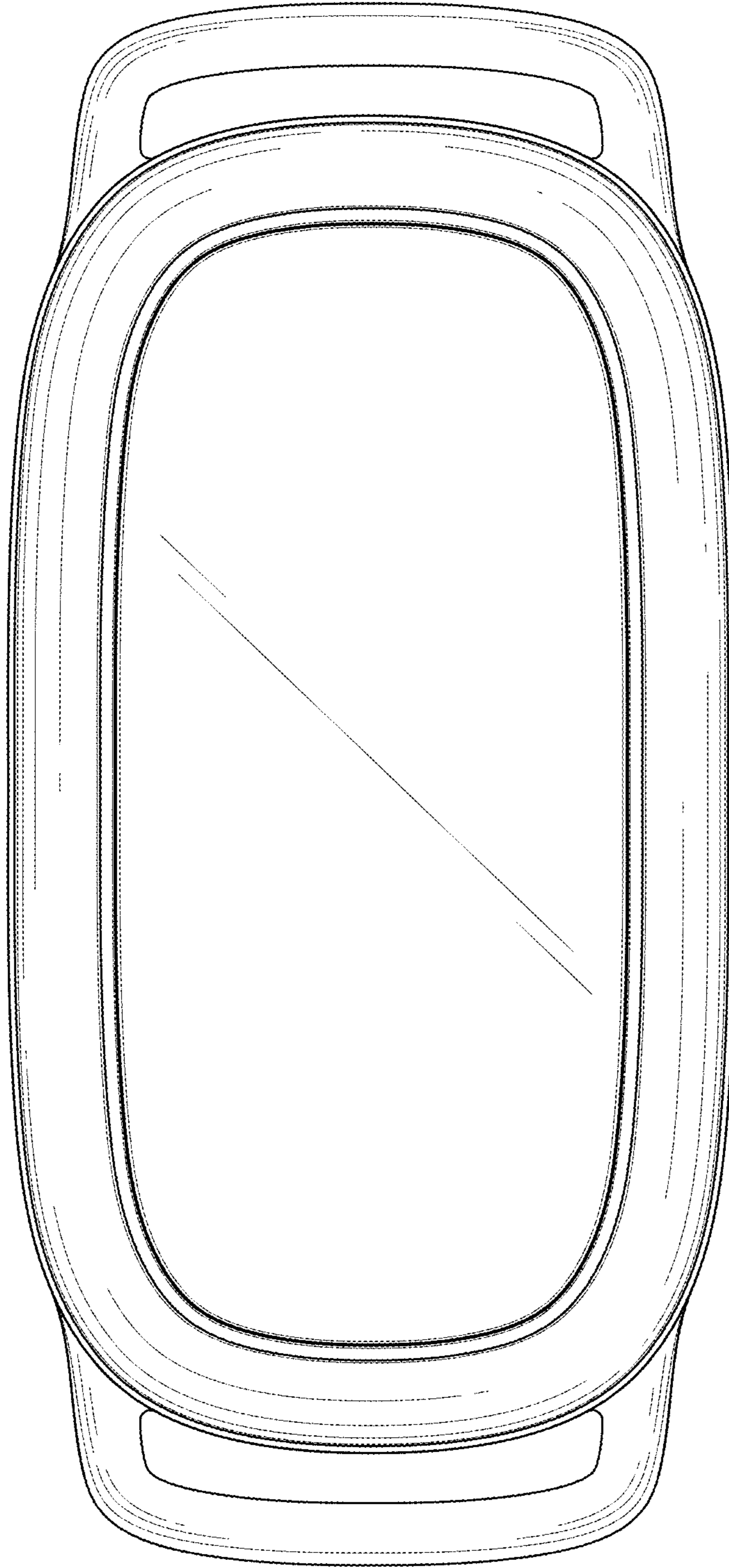


FIG. 3

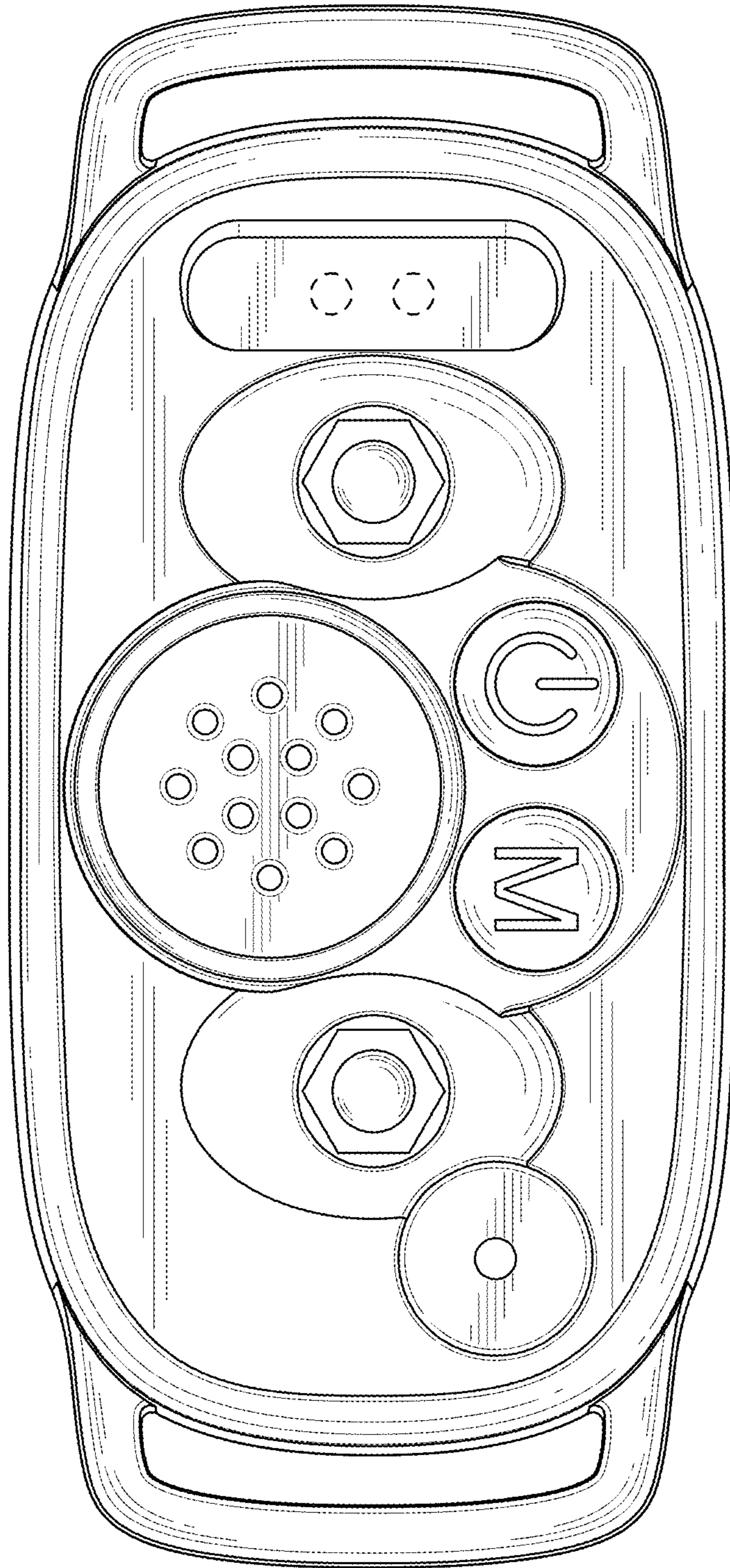


FIG. 4

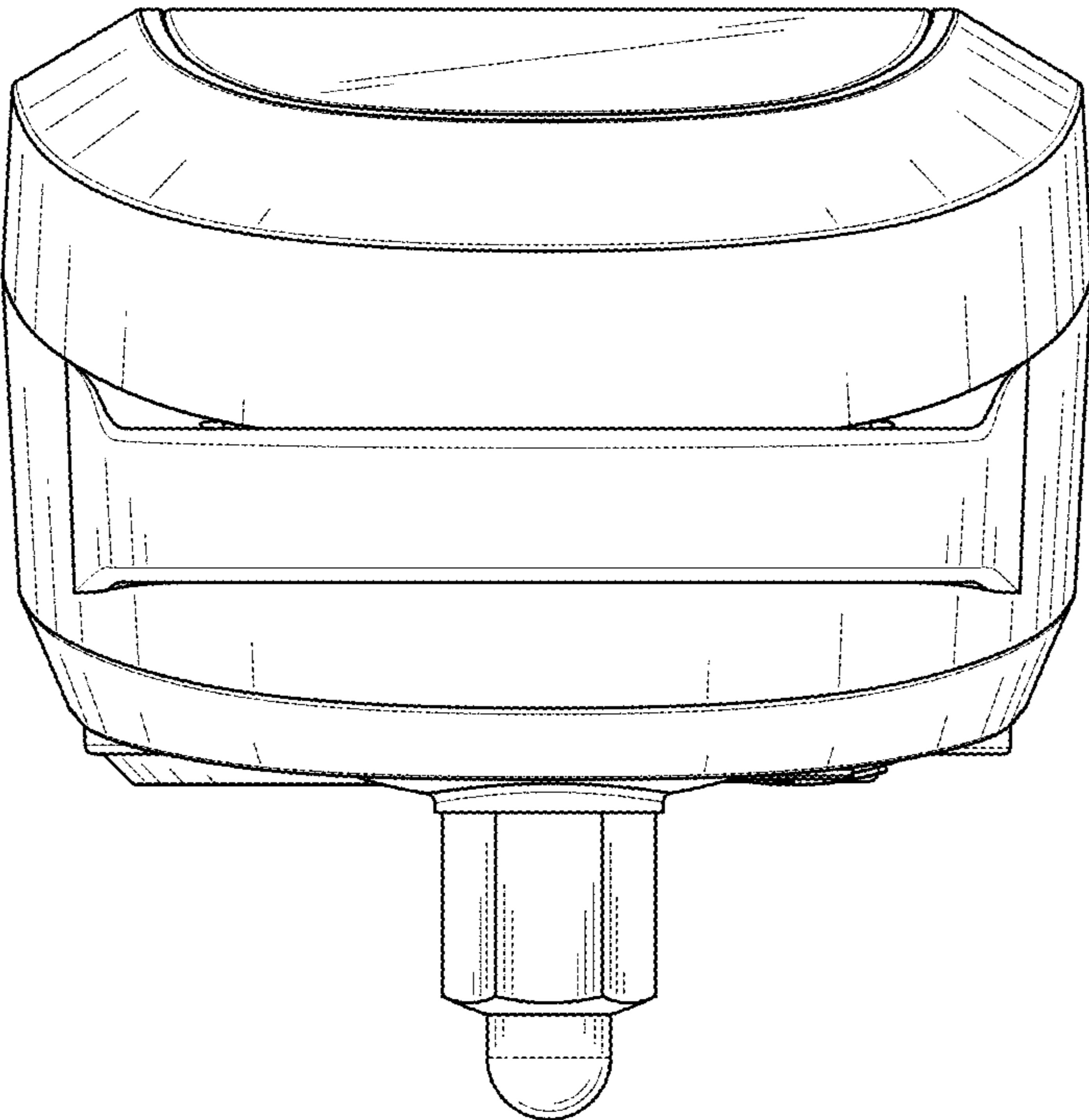


FIG. 5



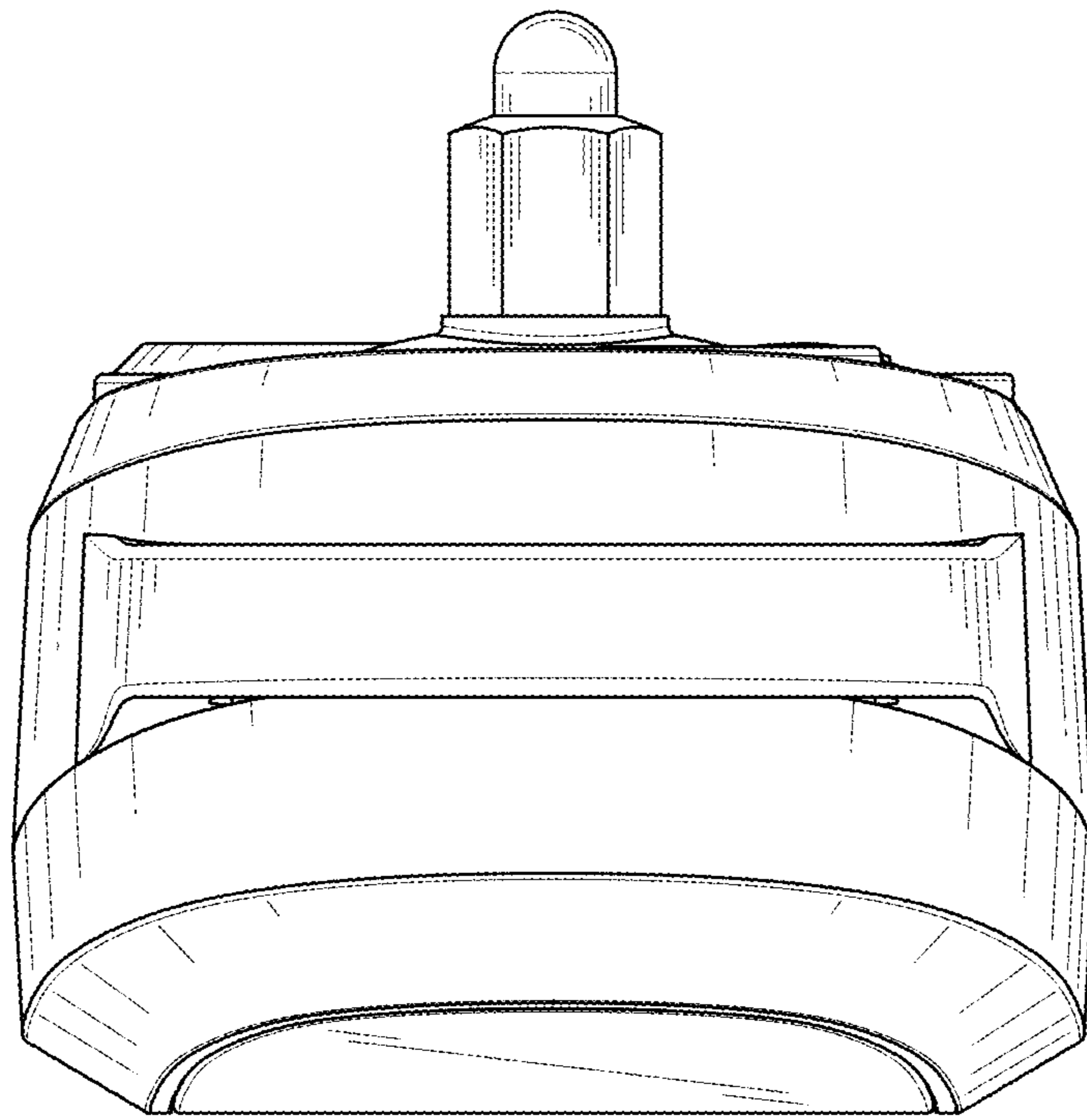


FIG. 6



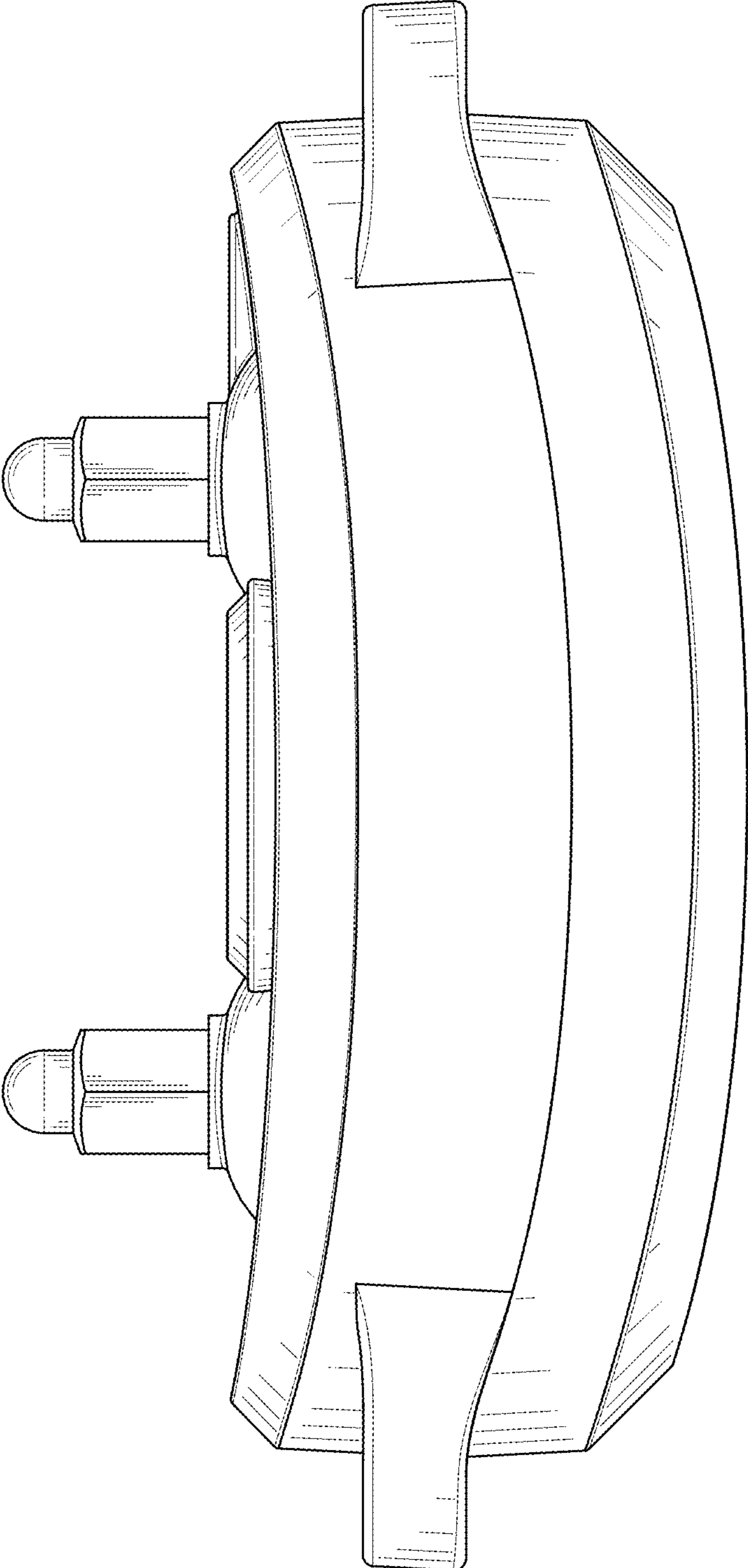


FIG. 7

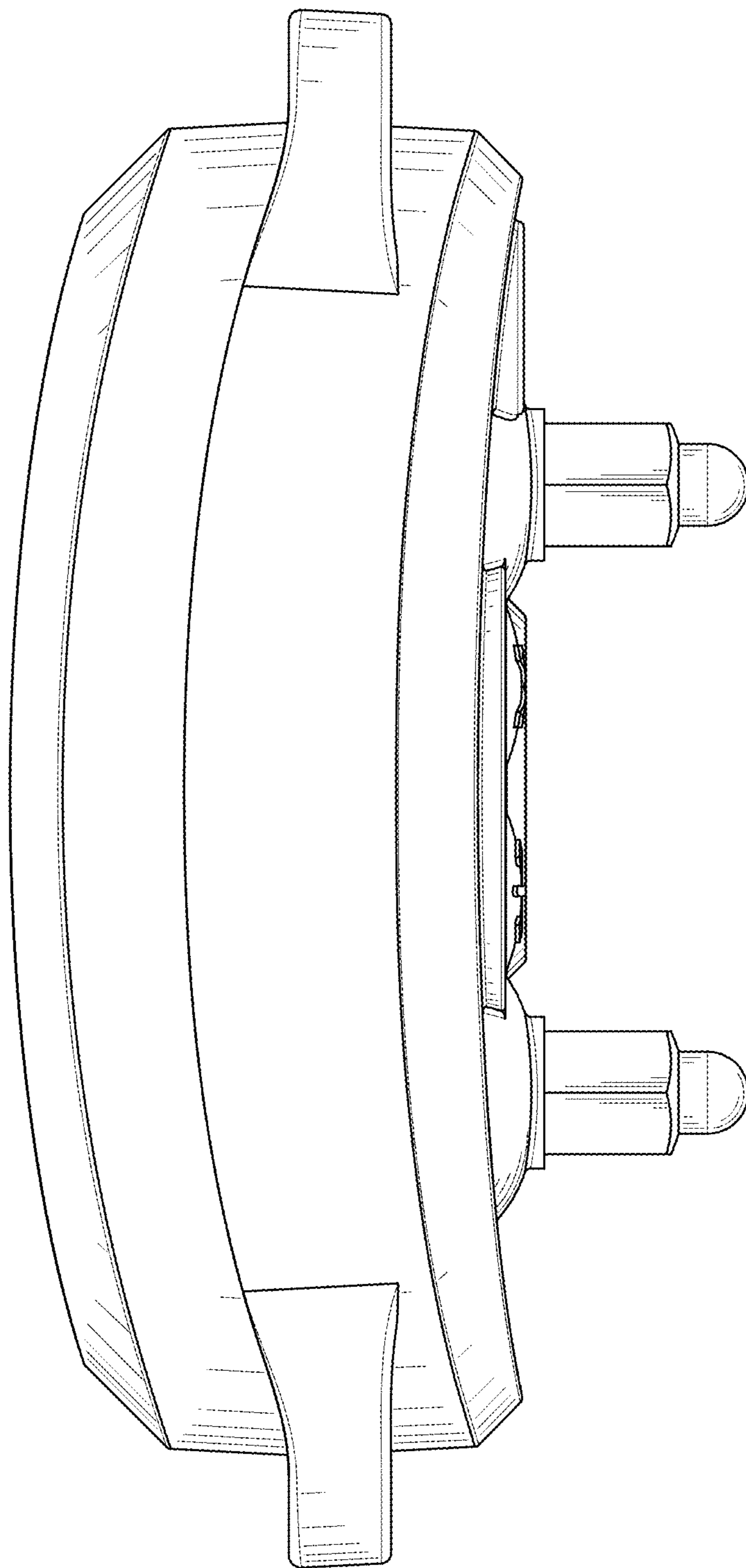


FIG. 8