



US00D957757S

(12) **United States Design Patent** (10) **Patent No.:** **US D957,757 S**
Lin (45) **Date of Patent:** **** Jul. 12, 2022**

(54) **DOG TOY**

(71) Applicant: **Fuzhou Feibao Network Technology Co., Ltd., Fuzhou (CN)**

(72) Inventor: **Wei Lin, Fuzhou (CN)**

(**) Term: **15 Years**

(21) Appl. No.: **29/783,459**

(22) Filed: **May 13, 2021**

(51) **LOC (13) Cl.** **30-99**

(52) **U.S. Cl.**
USPC **D30/160**

(58) **Field of Classification Search**
USPC D30/158, 160, 199; 119/702, 707, 709, 119/174; D21/398, 707; D1/101, 102, D1/104, 105, 106, 117, 118, 122, 199
CPC A01K 15/027; A01K 15/025
See application file for complete search history.

(56) **References Cited**

U.S. PATENT DOCUMENTS

D496,773 S *	10/2004	Tepper	D1/199
D534,694 S *	1/2007	Pozzoni	D30/160
7,793,618 B2 *	9/2010	Edwards	A01K 15/026
				119/709
D655,056 S *	2/2012	Blair	D30/160
D658,823 S *	5/2012	Viola	D30/160
D658,824 S *	5/2012	Viola	D30/160
D677,441 S *	3/2013	Renforth	D30/160
8,464,665 B1 *	6/2013	Scheffler	A01K 15/026
				119/709
D686,797 S *	7/2013	Robinson	D1/106
8,573,159 B1 *	11/2013	Crotty	A01K 15/025
				119/707
D725,866 S *	4/2015	Barnvos	D1/106
D747,067 S *	1/2016	Axelrod	D1/106
9,661,830 B2 *	5/2017	Barnvos	A23K 20/10
D814,696 S	4/2018	Zhou		
D819,279 S	5/2018	Gick		

D819,899 S	6/2018	Gick		
10,149,459 B1 *	12/2018	Yuan	A01K 5/0114
D838,418 S *	1/2019	Zelinger	D30/160
D872,385 S *	1/2020	Soto	D30/160
D872,388 S	1/2020	Crane		
D889,756 S *	7/2020	Kelly	D30/160
D891,709 S *	7/2020	Coopersmith	D30/158
D908,294 S *	1/2021	Liang	D30/160
D909,708 S *	2/2021	Hao	D1/199
D911,634 S *	2/2021	Wolfe, Jr.	D30/160
D930,286 S *	9/2021	Huang	D30/160
2003/0175387 A1 *	9/2003	English	A23K 40/25
				426/94

(Continued)

OTHER PUBLICATIONS

“Dog Toys for Aggressive Chewers” available Mar. 17, 2021, [online], [site visited Dec. 8, 2021]. Retrieved from Internet, URL:https://www.amazon.com/Aggressive-Chewers-Durable-Indestructible-Cleaning/dp/B08Z6Z7M8B?th=1 (Year: 2021).*

(Continued)

Primary Examiner — Michael C Stout

Assistant Examiner — Katrina G Gonzalez

(74) *Attorney, Agent, or Firm* — Rumit Ranjit Kanakia

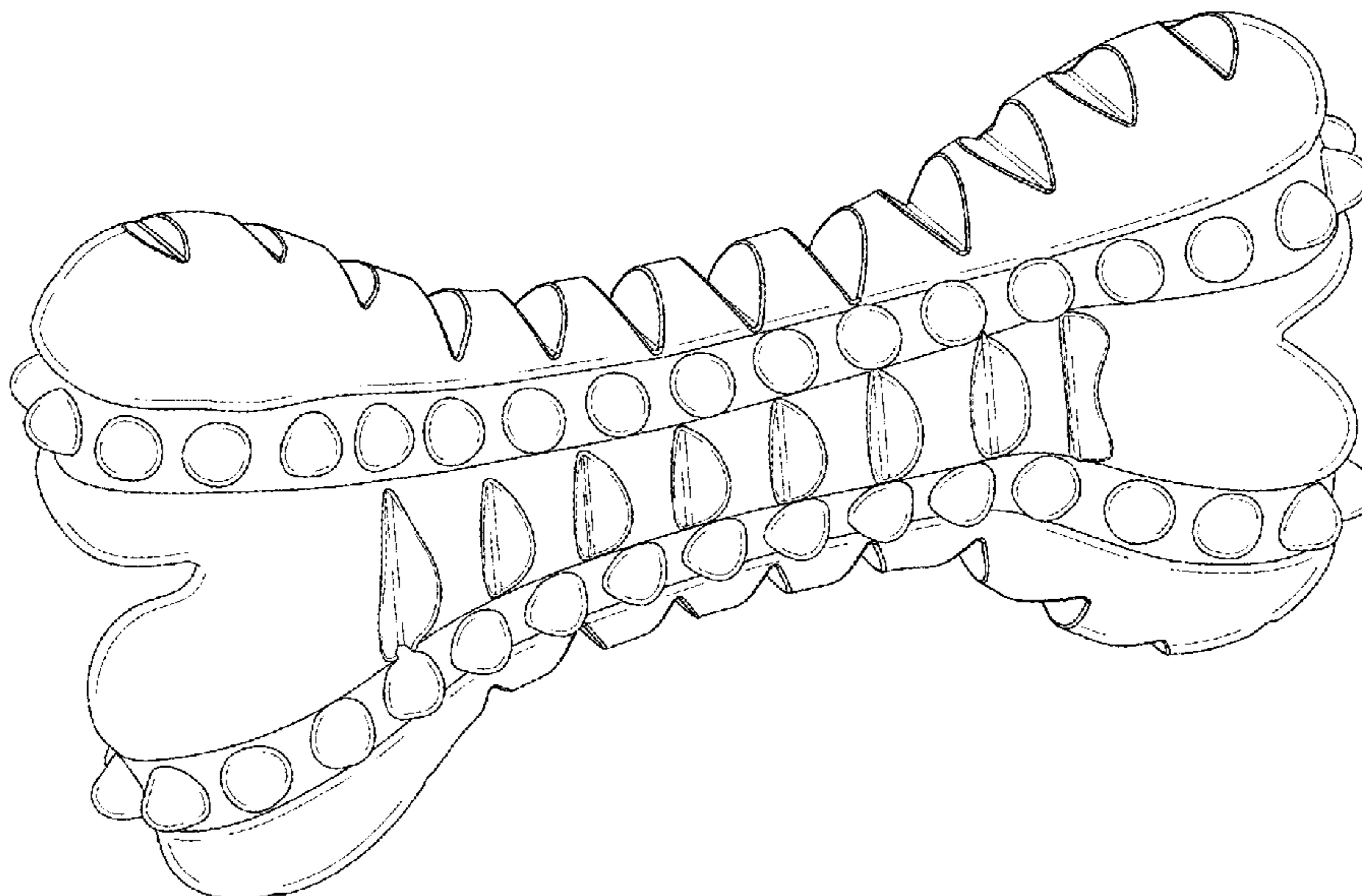
(57) **CLAIM**

I claim the ornamental design for a dog toy, as shown and described.

DESCRIPTION

FIG. 1 is a front perspective view of a dog toy showing my new design;
FIG. 2 is a front view thereof;
FIG. 3 is a back view thereof;
FIG. 4 is a right-side view thereof;
FIG. 5 is a left-side view thereof;
FIG. 6 is a top view thereof; and,
FIG. 7 is a bottom view thereof.

1 Claim, 7 Drawing Sheets



(56)

References Cited

U.S. PATENT DOCUMENTS

2008/0314333 A1* 12/2008 Hurwitz A23K 50/40
119/709
2010/0224138 A1* 9/2010 Axelrod A23K 40/20
119/710
2013/0273125 A1* 10/2013 Barnvos A23K 20/26
424/401
2016/0113241 A1* 4/2016 Valle A01K 15/026
119/51.01
2017/0231195 A1* 8/2017 Dewey A01K 15/026
119/707

OTHER PUBLICATIONS

https://www.amazon.com/Squeaky-Toys-Chew-Aggressive-Chewers/dp/B08Z6Z7M8B/ref=sr_1_9?dchild=1&m=A3UTDSL4405T7F&marketplaceID=ATVPDKIKX0DER&qid=1617952531&s=merchant-items&sr=1-9 ; Mar. 17, 2021.

* cited by examiner

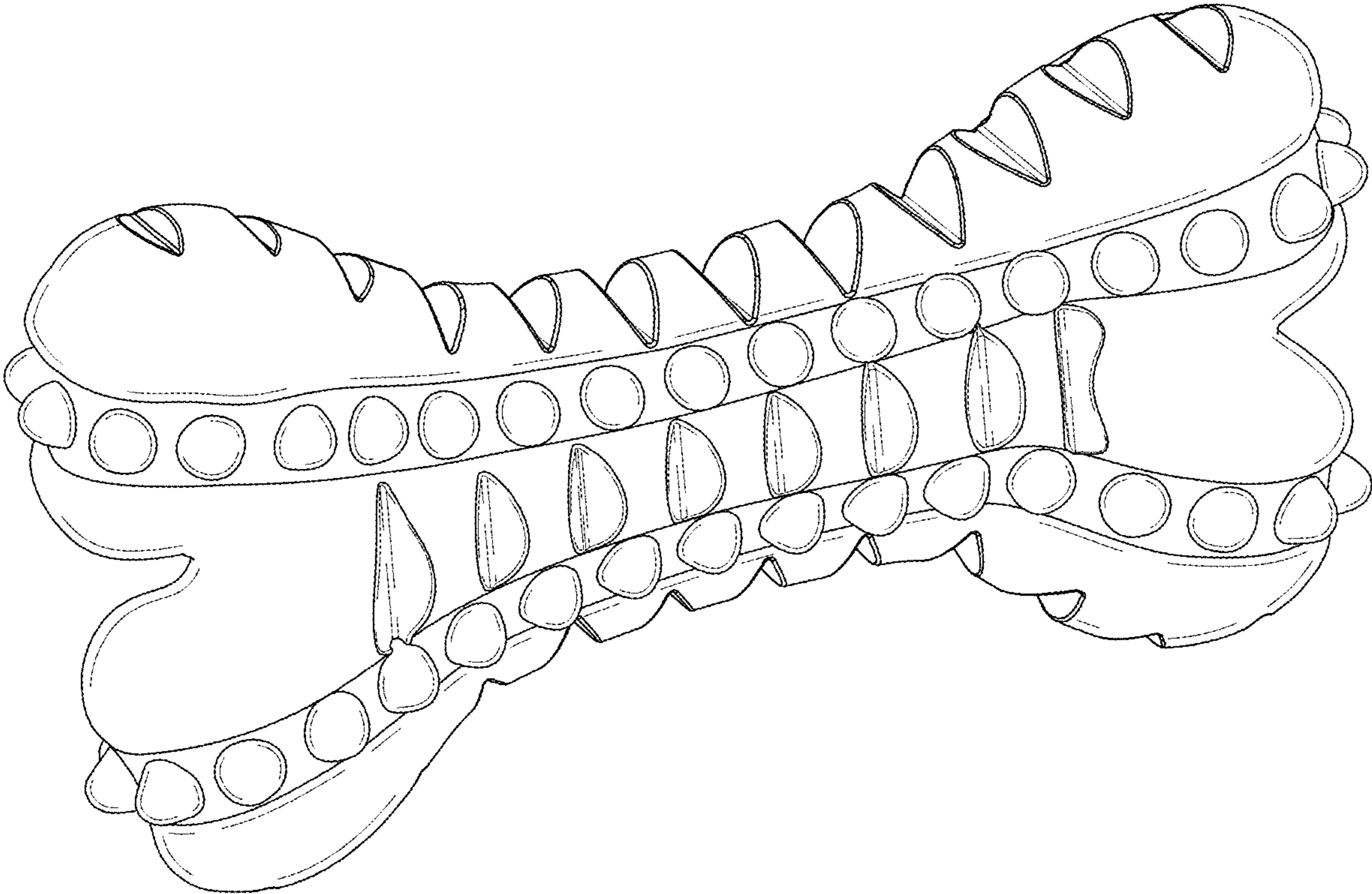


FIG. 1

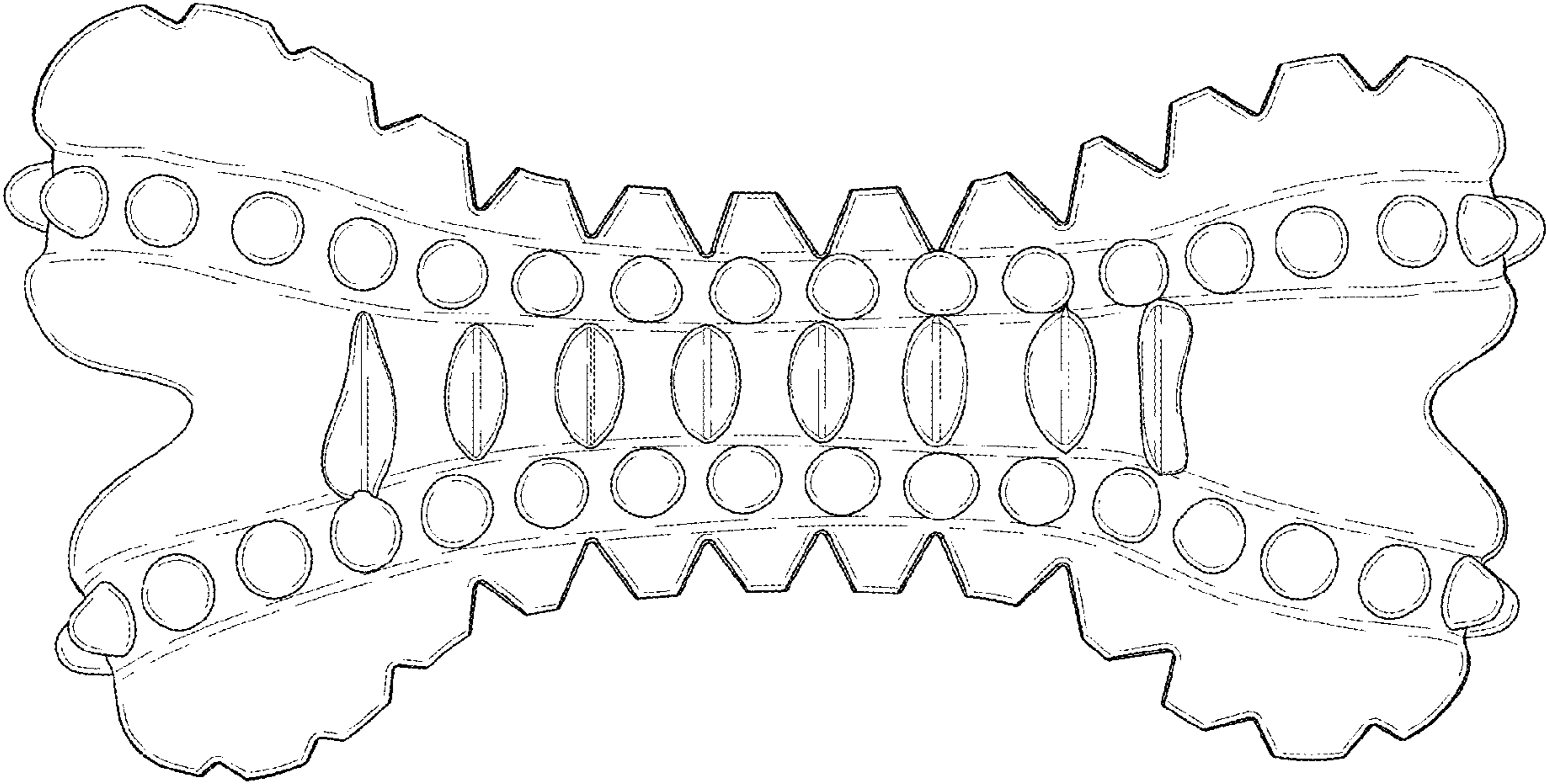


FIG. 2

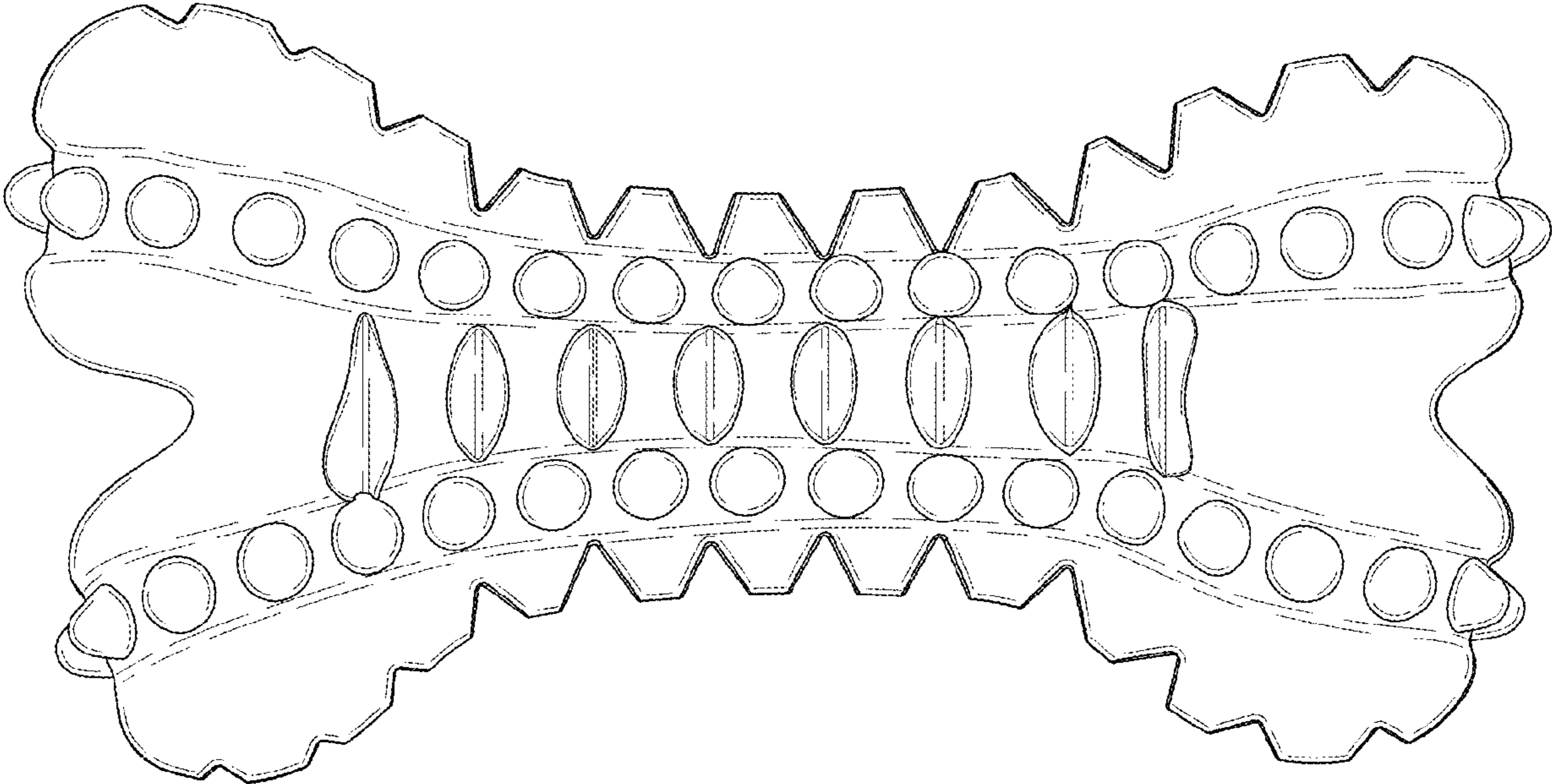


FIG. 3

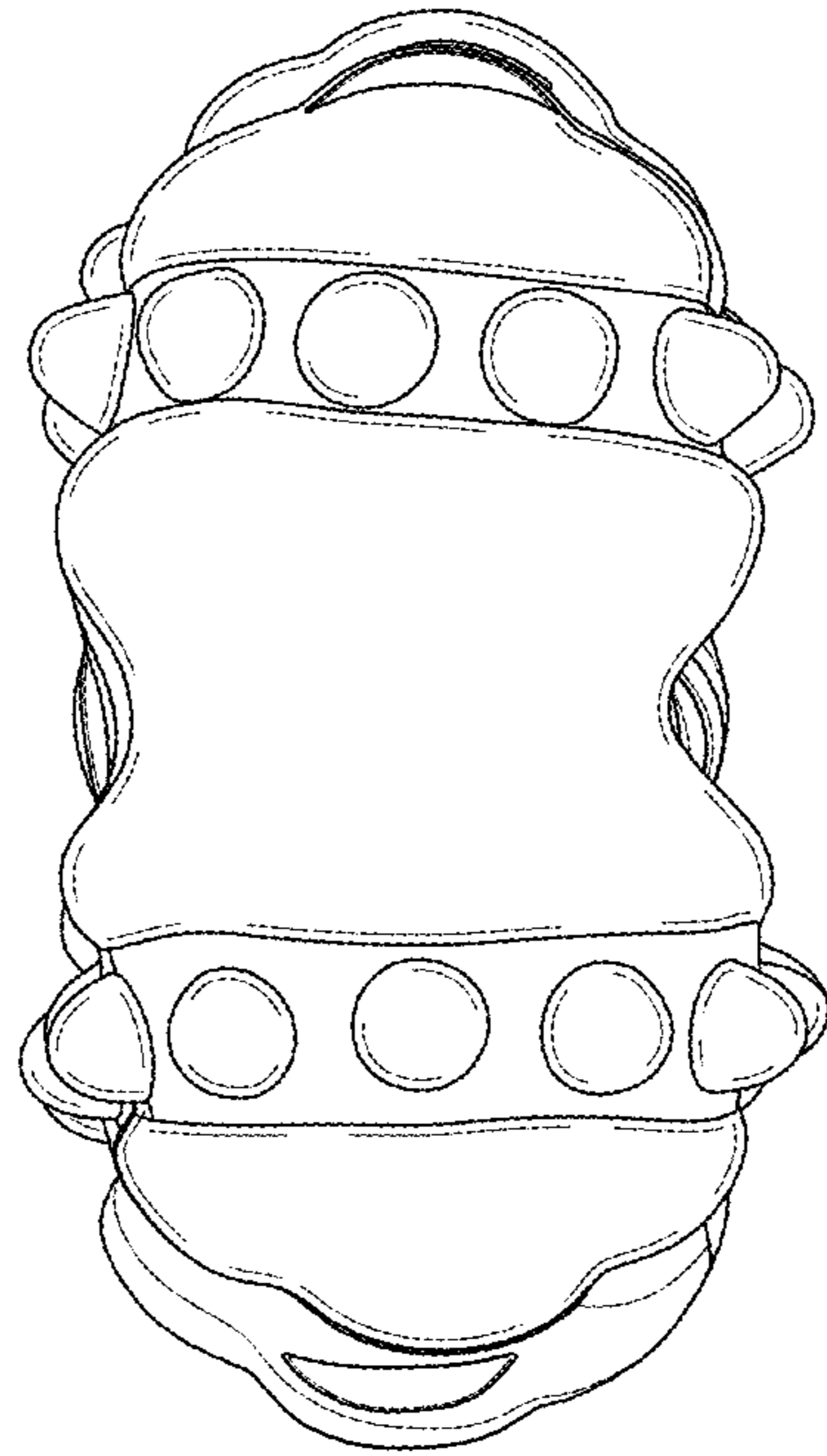


FIG. 4

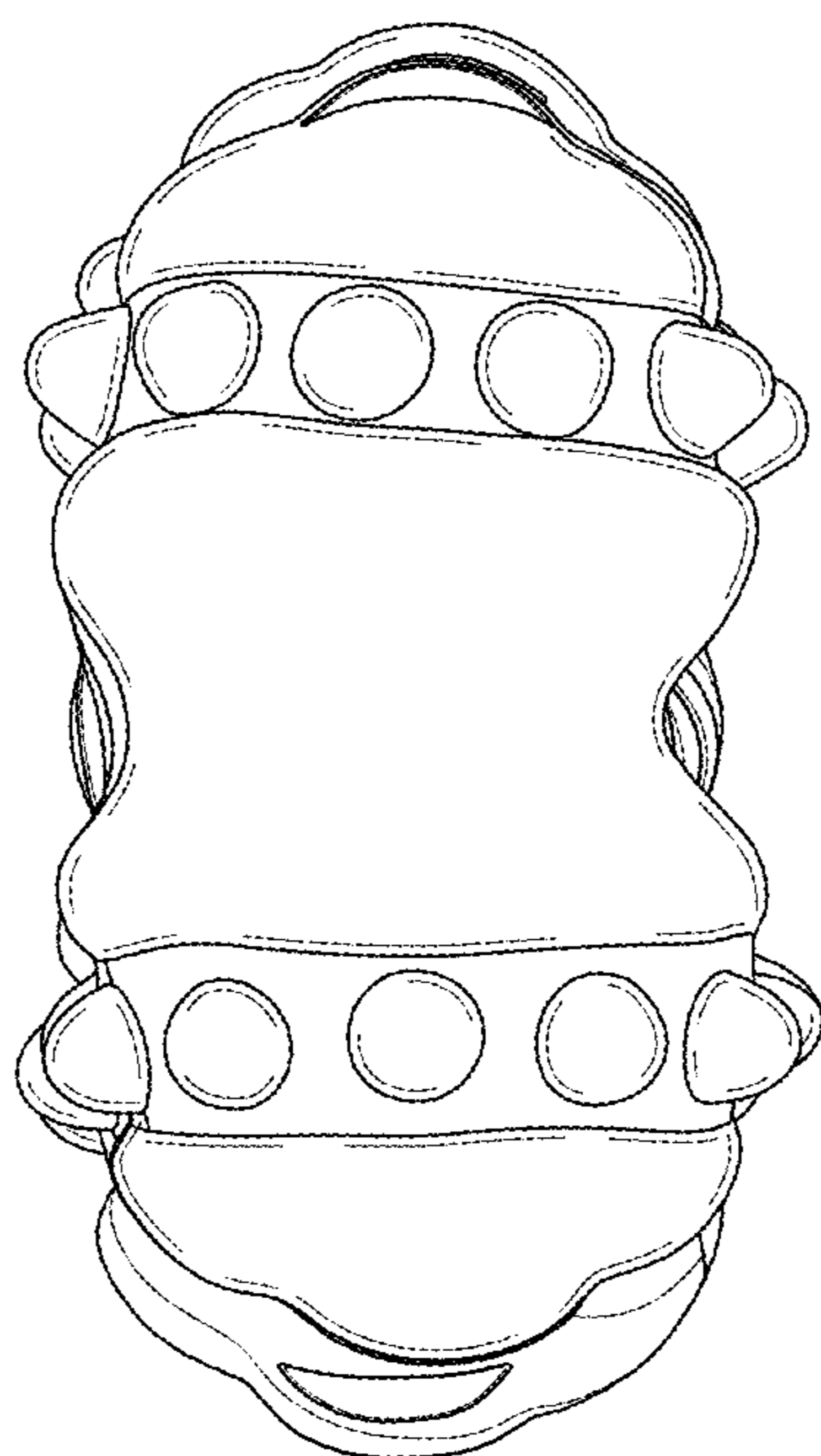


FIG. 5

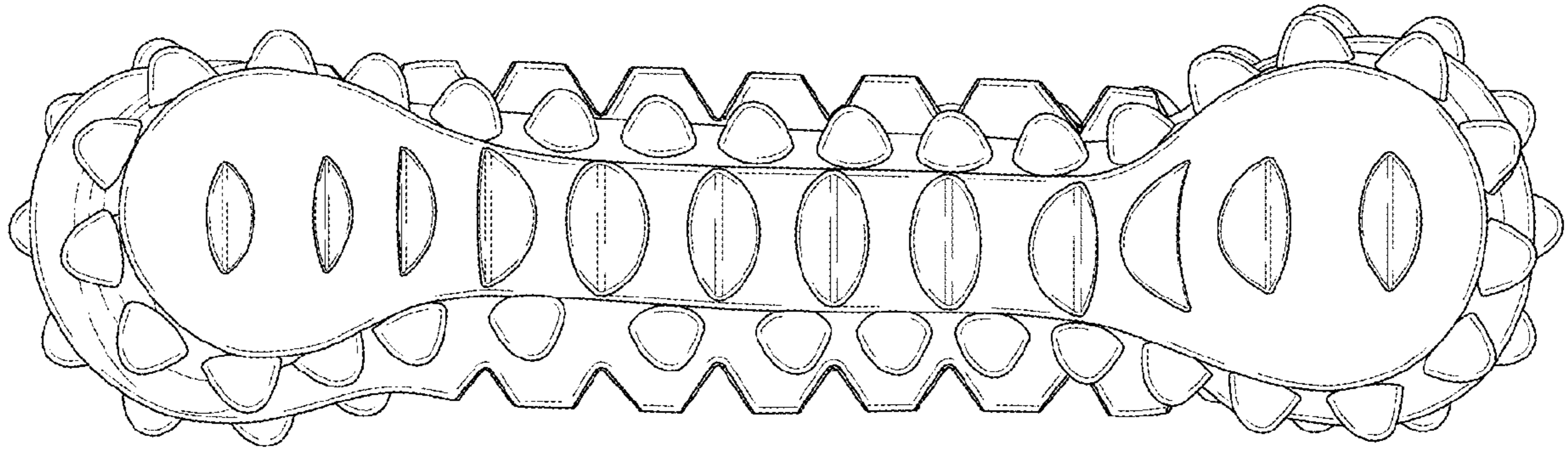


FIG. 6

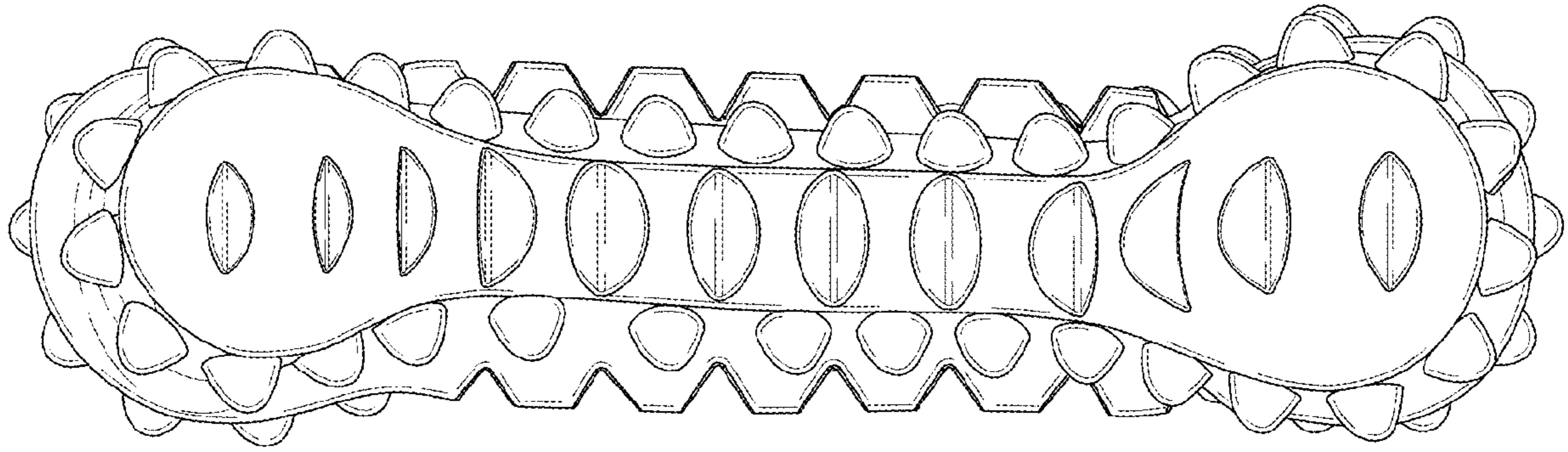


FIG. 7