



US00D957751S

(12) **United States Design Patent**
Huang

(10) **Patent No.:** **US D957,751 S**
(45) **Date of Patent:** **** Jul. 12, 2022**

(54) **CHICKEN FEEDER**

(71) Applicant: **Riesiger Sternenhimmel, Inc.**, Lewes,
DE (US)

(72) Inventor: **Zhiqiang Huang**, Quanzhou (CN)

(**) Term: **15 Years**

(21) Appl. No.: **29/802,781**

(22) Filed: **Aug. 8, 2021**

(51) **LOC (13) Cl.** **30-03**

(52) **U.S. Cl.**
USPC **D30/131; D30/121**

(58) **Field of Classification Search**
USPC D30/133, 121, 122, 124, 127, 128, 132,
D30/129-131, 199; 119/51.01, 61, 51.04,
119/53, 57.91, 54, 53.5, 52.4, 51.11, 63,
119/61.2, 52.1, 57.5, 57.6, 51.13, 62, 75,
119/500, 501, 73, 74, 51.12, 51.5, 52.2,
119/61.1, 60, 58, 59; 239/7, 687, 379,
239/397.5; 222/199, 181.1, 181.2, 185.1,
222/557, 156, 485, 486, 548, 555,
222/226-248, 196, 410-414; 220/200,
220/227, 247, 262, 697-702; 221/174,
221/185.1, 289, 295, 296, 559; 454/35;
209/270, 283, 244; 52/194, 192; 49/279,
49/344, 357; D34/28; D7/409, 601, 334,
D7/332, 402; 211/181.1; 414/24.5, 607;
D32/53.1; 15/260, 262, 264, 257.01,
15/257.05, 257.06; 118/419; D9/424,
D9/429; 296/154, 183.1; 126/25 R, 9 R,
126/276, 30; 312/236; 99/419, 339, 467,
99/471, 473, 481, 421 R

CPC A01K 5/0225; A01K 5/00; A01K 5/02;
A01K 5/01; A01K 5/0291; A01K 5/0266;
A01K 5/0275; A01K 5/0283; A01K
39/00; A01K 39/01; A01K 39/0113;
A01K 39/012; A01K 39/0125; A01K
39/014; A01K 39/02; A01K 39/0206;
B28C 7/0046; B65D 90/14; B65D 90/52;
B65D 90/54; B65D 88/52; B65D

88/26-34; B65D 88/54; A01C 17/005;
A01C 17/006; Y10T 74/19721; Y10T
74/2063; A01M 31/00; A01M 31/004;
A01M 31/008; A47J 37/0763; B60P 1/43
See application file for complete search history.

(56) **References Cited**

U.S. PATENT DOCUMENTS

3,822,671 A * 7/1974 Rosenberg A01K 1/0107
D30/128
D232,565 S * 8/1974 Rosenberg 119/165
D232,848 S * 9/1974 Barton et al. D30/121
(Continued)

OTHER PUBLICATIONS

Vlhtceqk DIY Gravity Chicken Feeder Ports https://www.amazon.com/Chicken-Ports-1-Poultry-Gravity-Buckets/dp/B09QLBF6GK/ref=asc_df_B09QLBF6GK/ Mar. 2022 (Year: 2022).*
(Continued)

Primary Examiner — Susan Moon Lee
(74) *Attorney, Agent, or Firm* — Whitewood Law PLLC;
Shengmao Mu

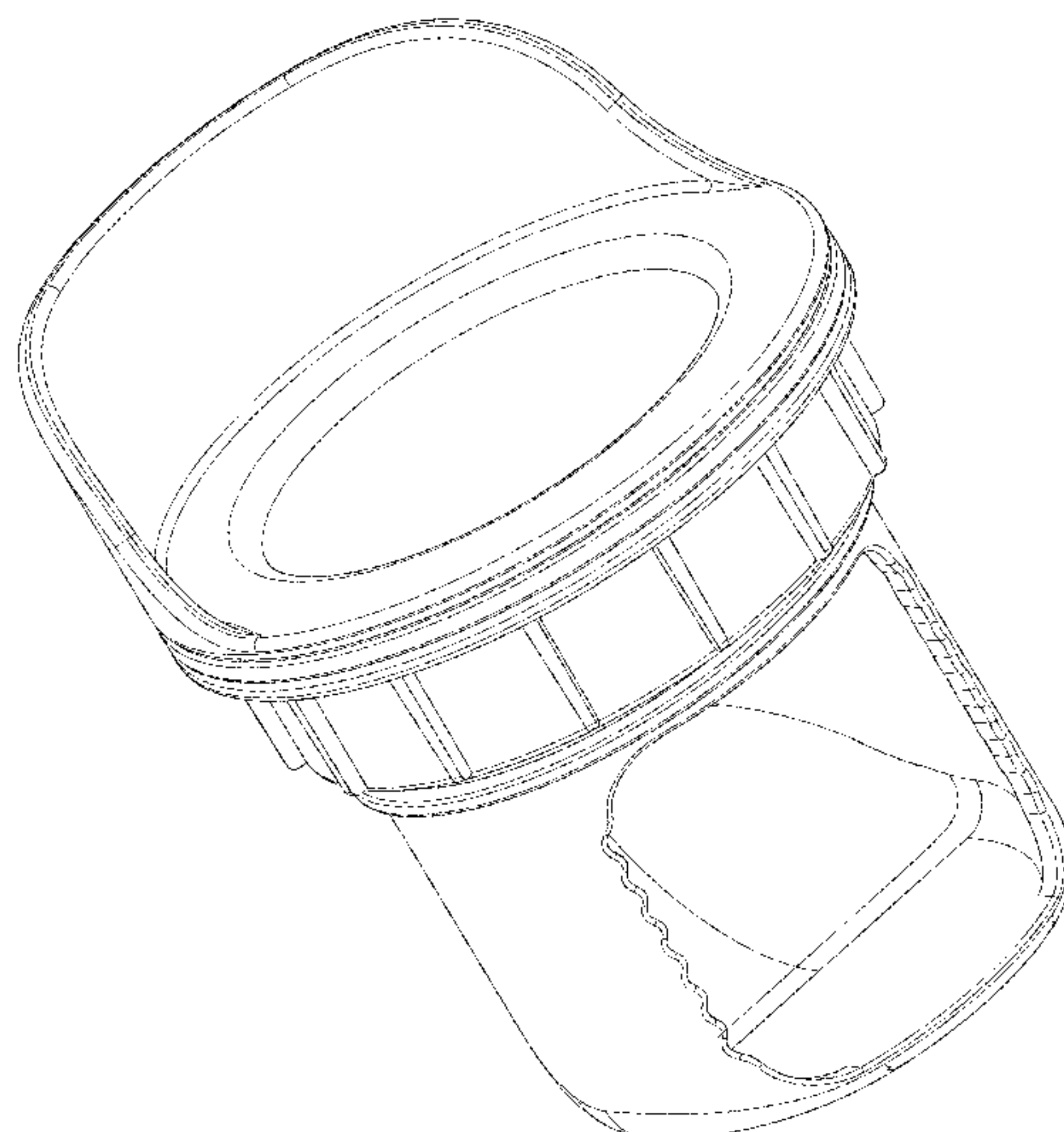
(57) **CLAIM**

What is claimed is an ornamental design for a chicken feeder, as shown and described.

DESCRIPTION

FIG. 1 is a perspective view of a chicken feeder showing my new design;
FIG. 2 is another perspective view thereof;
FIG. 3 is a right side elevational view thereof;
FIG. 4 is a left side elevational view thereof;
FIG. 5 is a front view thereof;
FIG. 6 is a rear view thereof;
FIG. 7 is a top plan view thereof; and,
FIG. 8 is a bottom plan thereof.

1 Claim, 8 Drawing Sheets



(56)

References Cited

U.S. PATENT DOCUMENTS

D250,051 S * 10/1978 Spinks 119/165
D282,017 S * 12/1985 Meyer D30/124
D287,771 S * 1/1987 Kimble D30/121
D298,371 S * 11/1988 Reynolds D30/161
4,976,222 A * 12/1990 Cooke A01K 5/01
119/60
D341,448 S * 11/1993 Herzenach D30/121
D392,777 S * 3/1998 Scribner D30/131
D524,492 S * 7/2006 Wan D30/161
D605,367 S * 12/2009 Northrop D30/117
D716,002 S * 10/2014 Greenan D7/629
D726,971 S * 4/2015 Itzhak-Sigron D30/118
D760,963 S 7/2016 Delman et al.
9,750,225 B1 * 9/2017 Makins A61L 2/10
D815,779 S 4/2018 Song
D890,446 S 7/2020 Watercutter
D907,864 S 1/2021 Schwartz
D930,915 S * 9/2021 Wu D30/122
2020/0267932 A1 * 8/2020 Encarnacion A01K 29/00

OTHER PUBLICATIONS

Yanzi DIY Gravity Chicken Feeder Ports https://www.amazon.com/dp/B09NR4Y4KW/ref=sspa_dk_detail_3 Feb. 2022 (Year: 2022).*

* cited by examiner

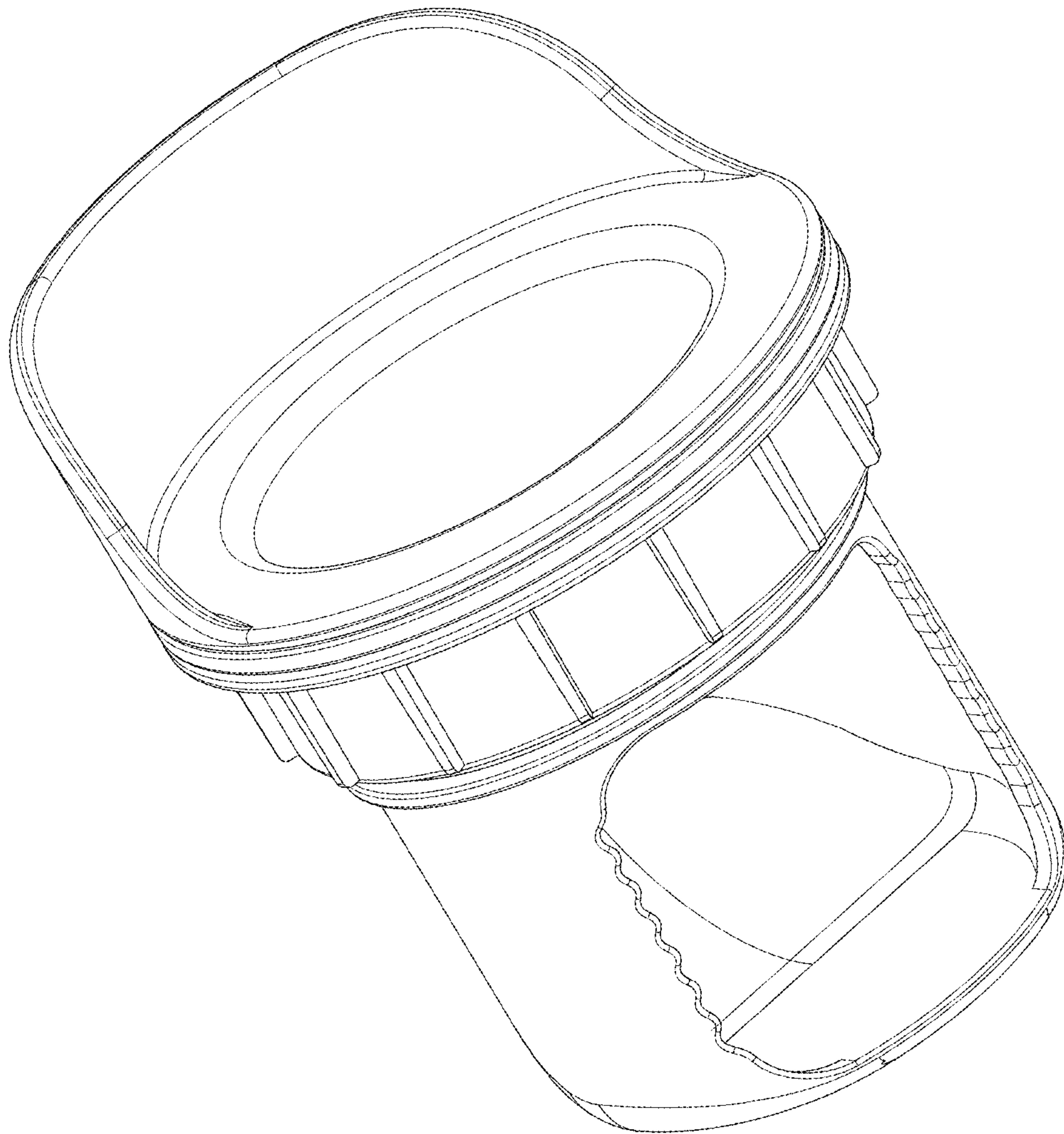


FIG. 1

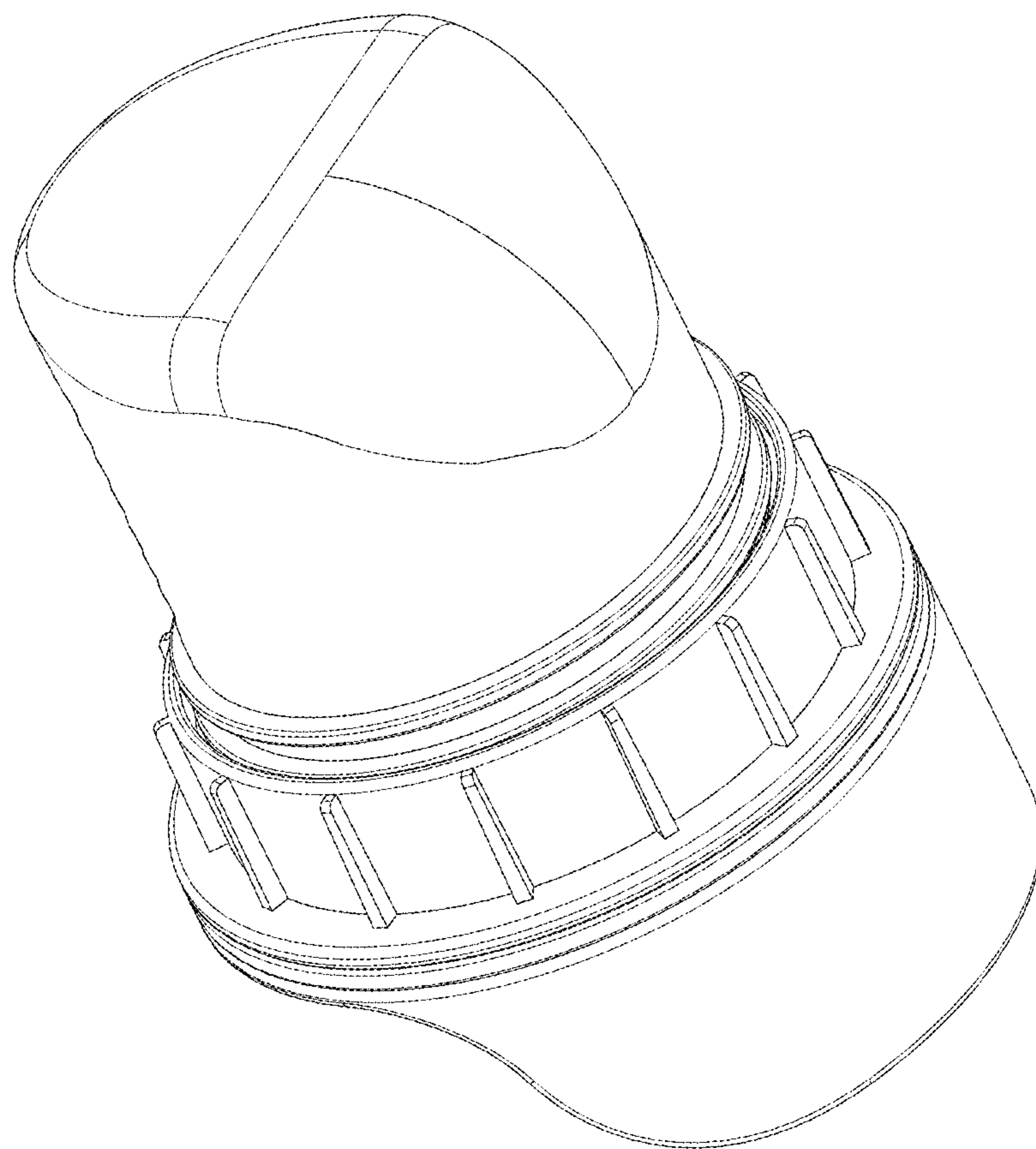


FIG. 2

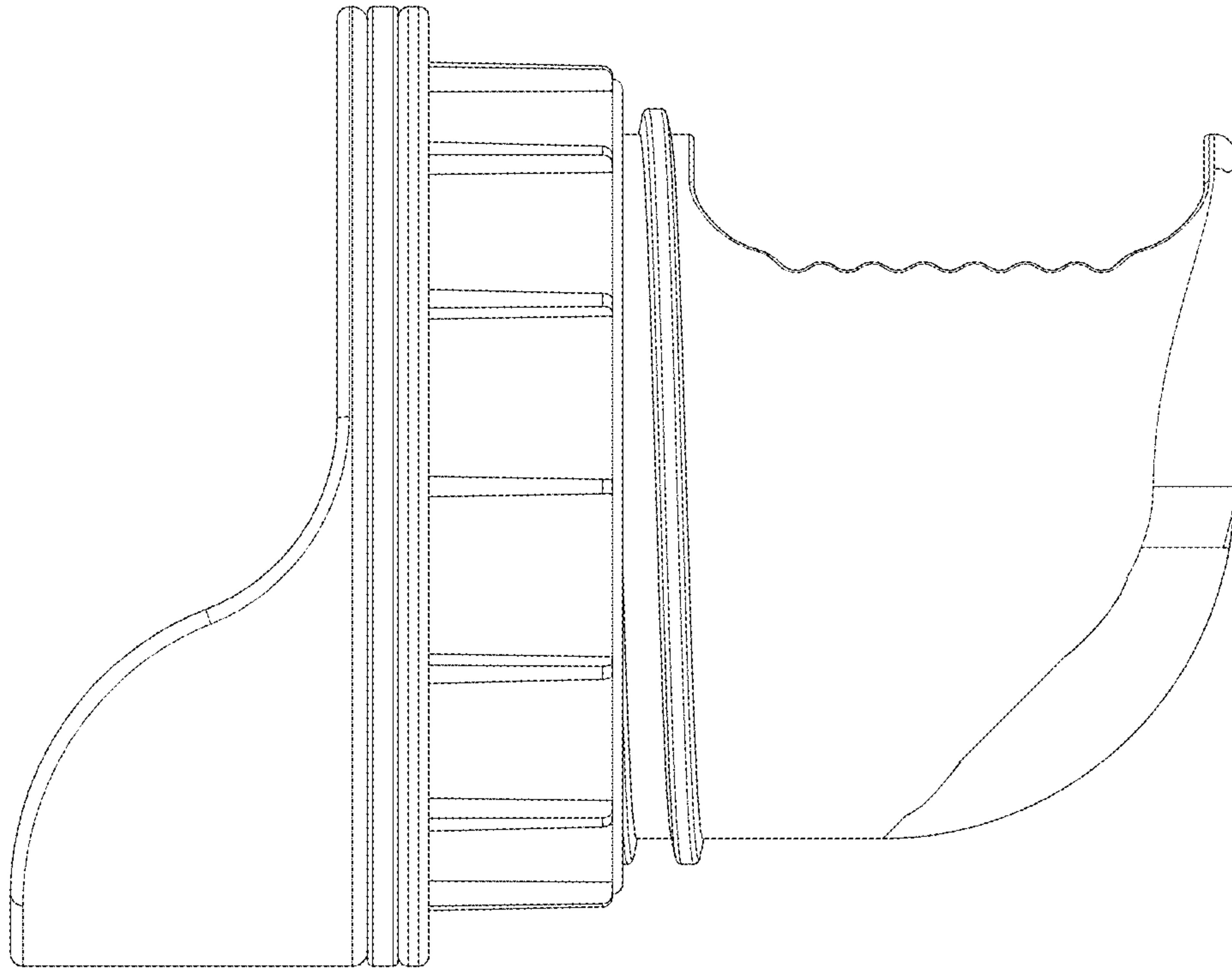


FIG. 3

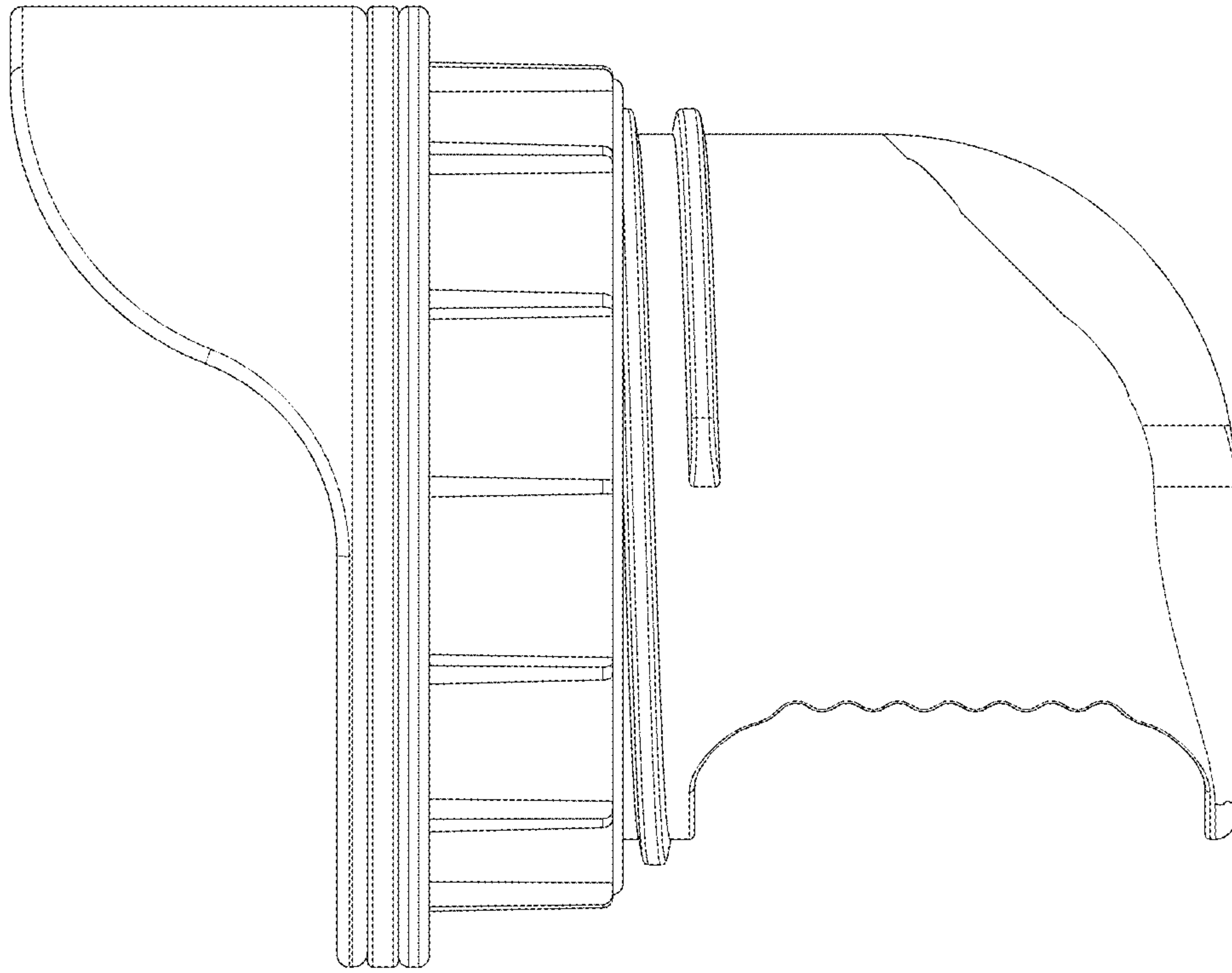


FIG. 4

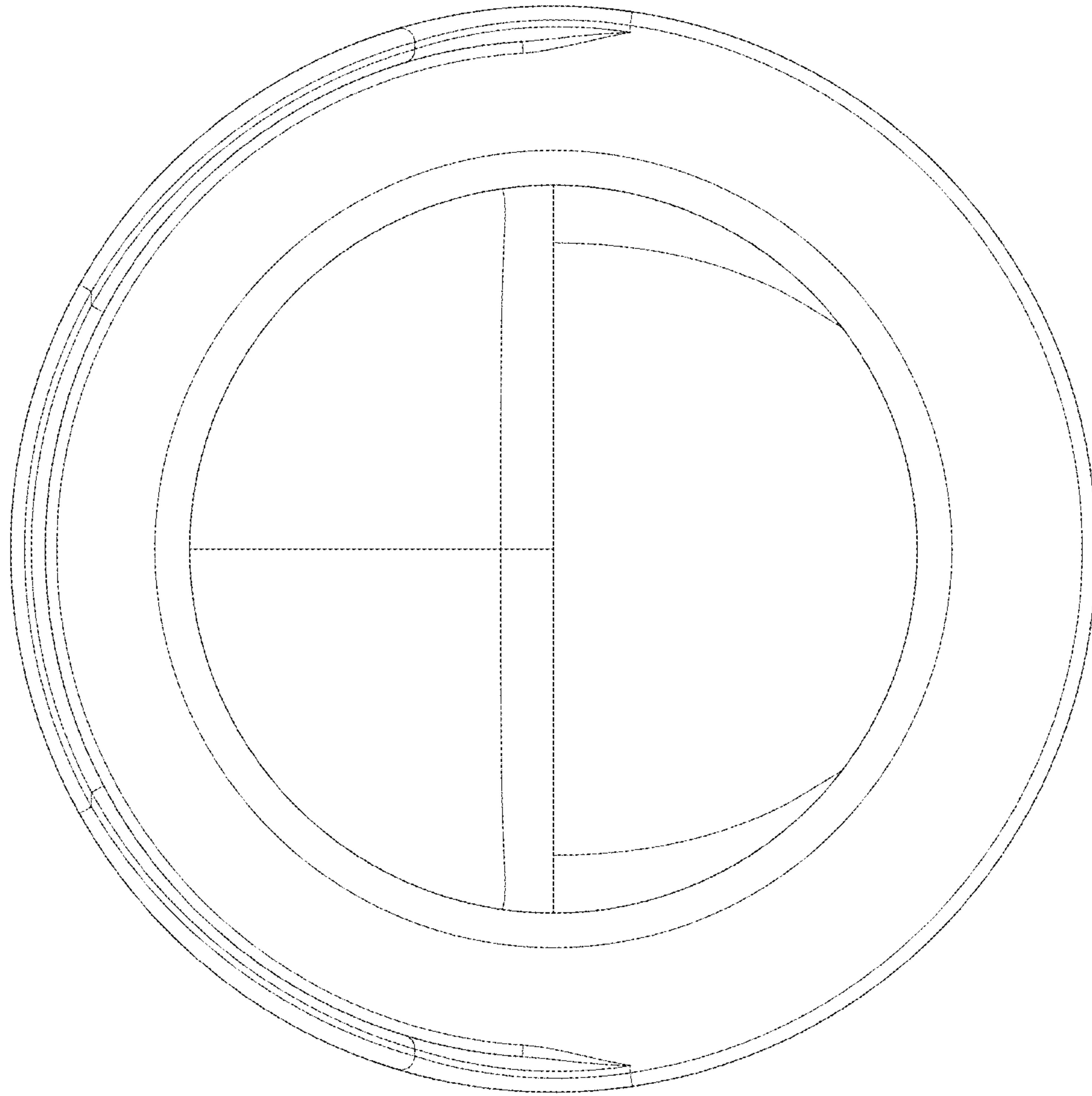


FIG. 5

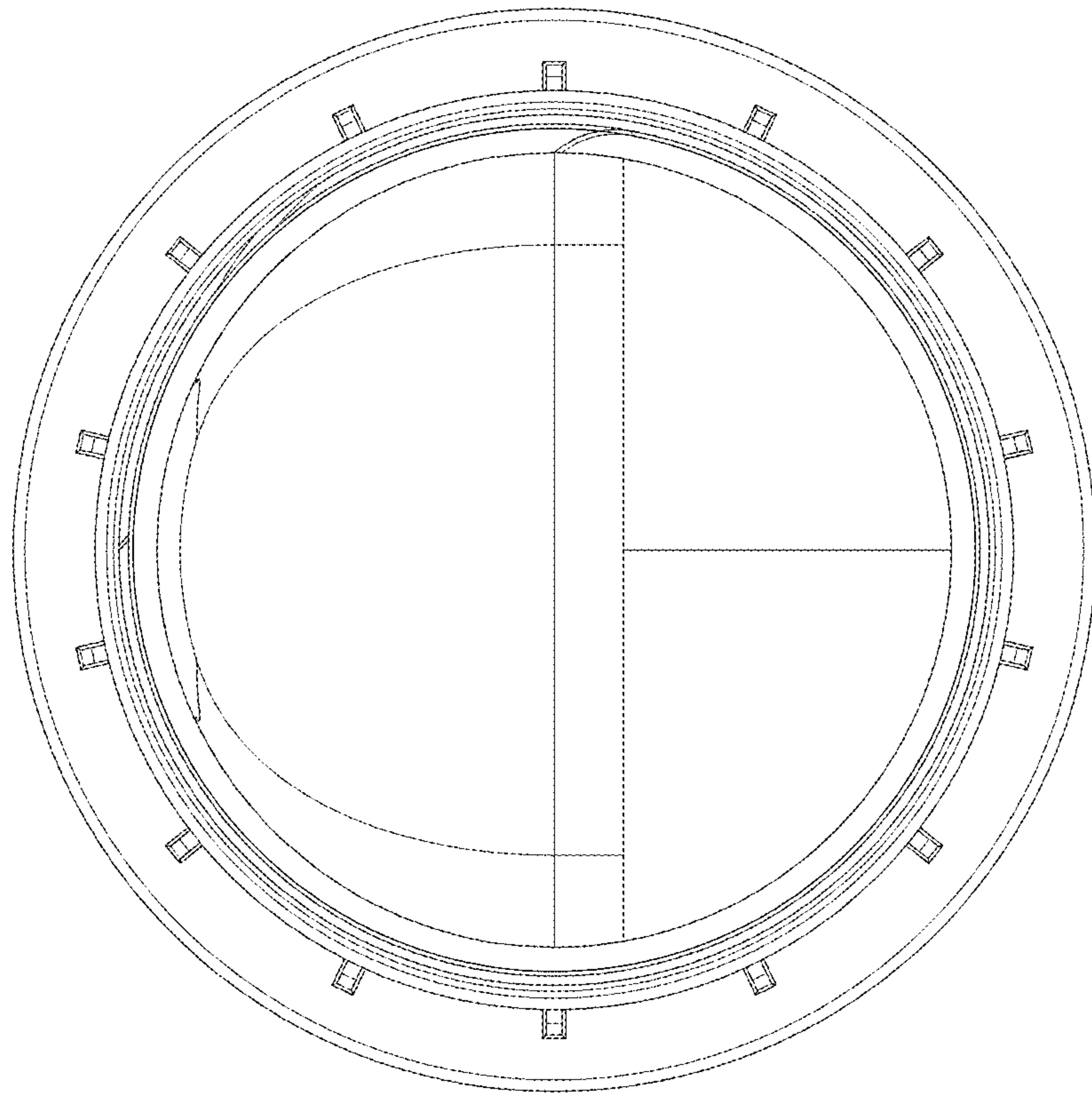


FIG. 6

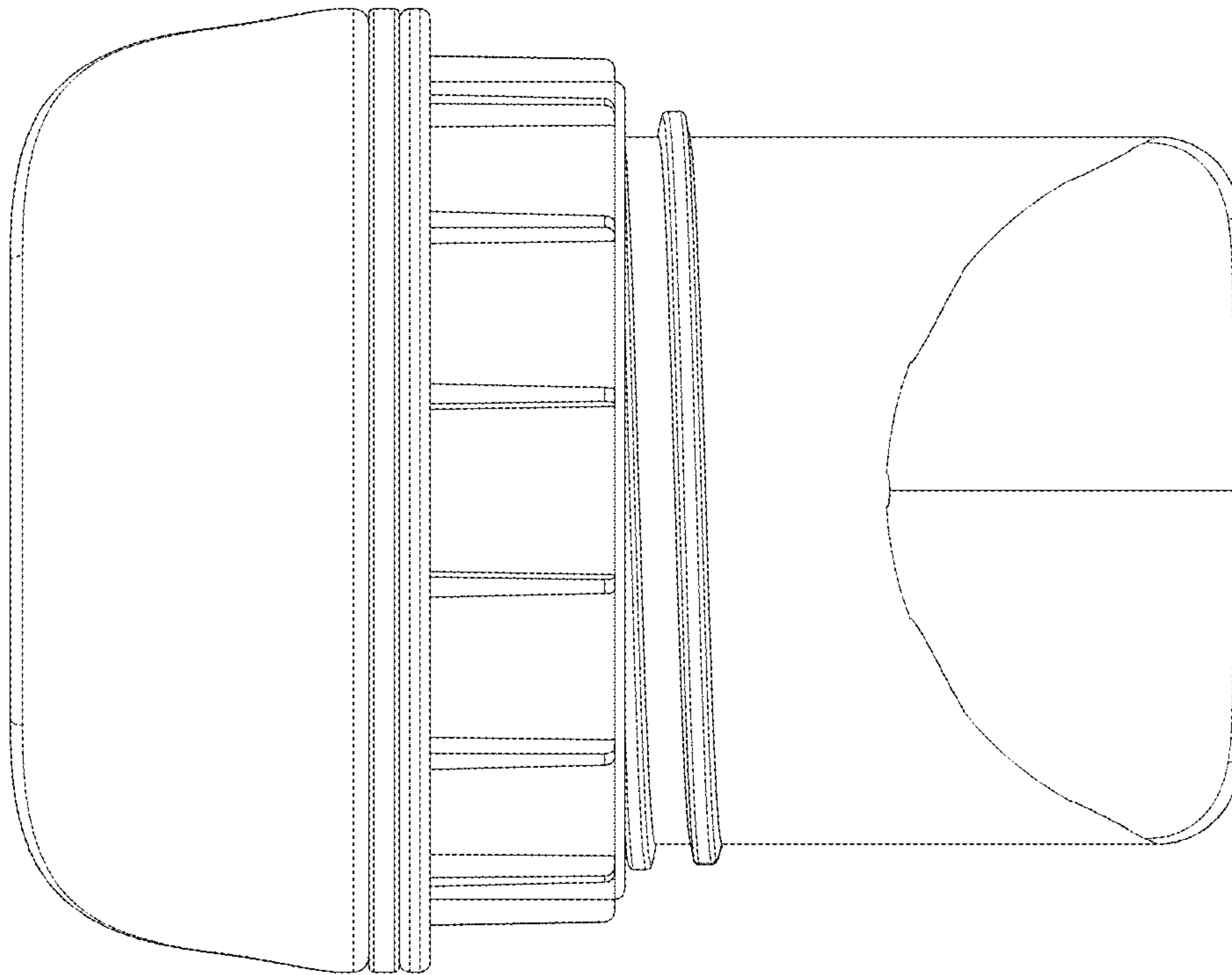


FIG. 7

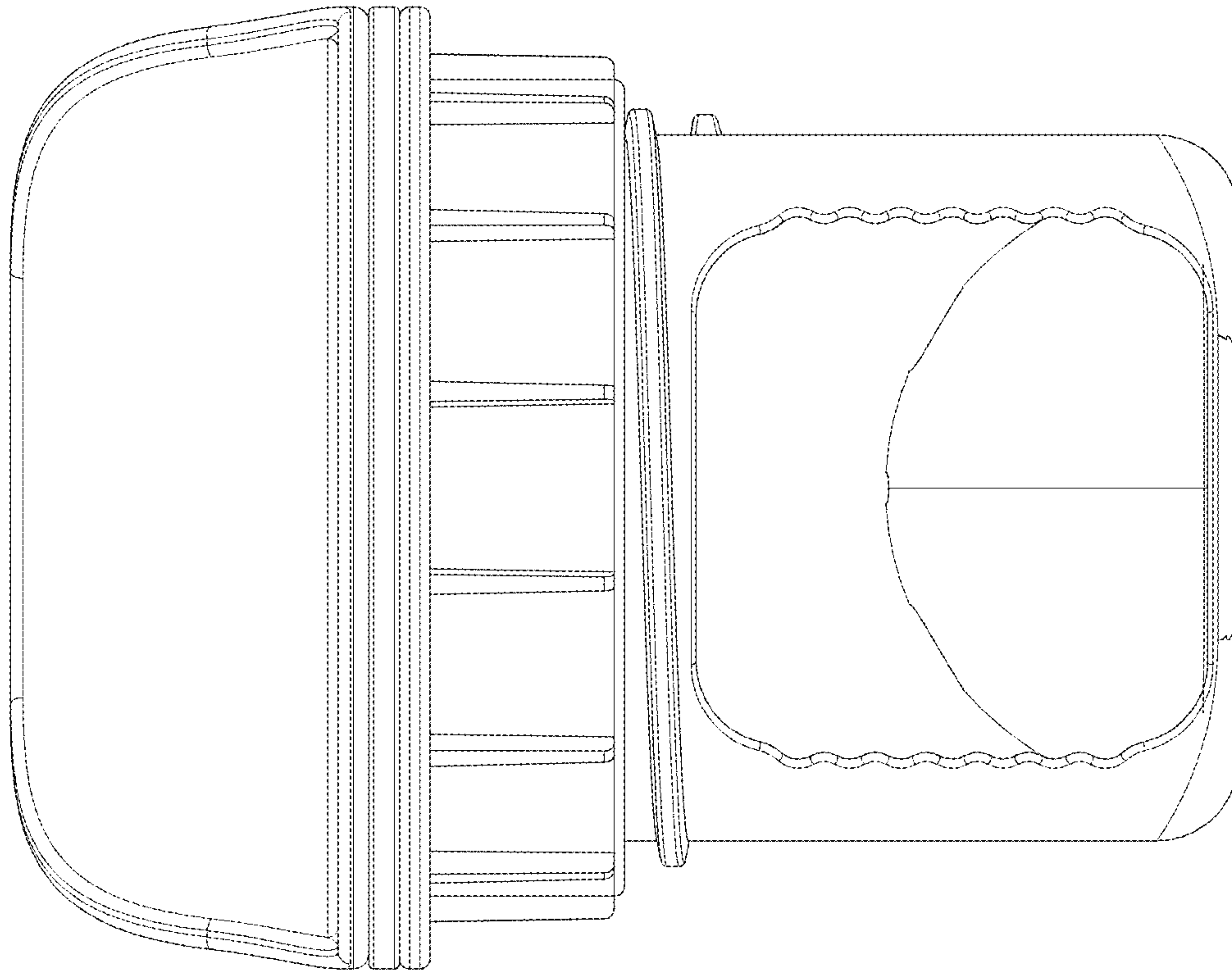


FIG. 8