



US00D957748S

(12) **United States Design Patent** (10) **Patent No.:** **US D957,748 S**
Satana (45) **Date of Patent:** **** Jul. 12, 2022**

(54) **BED FOR ANIMALS**
 (71) Applicant: **WLO Wood LLC**, Balikesir (TR)
 (72) Inventor: **Erman Burak Satana**, Balikesir (TR)
 (73) Assignee: **WLO Wood, LLC.**, Lewes, DE (US)
 (**) Term: **15 Years**

(21) Appl. No.: **35/511,466**
 (22) Filed: **Feb. 1, 2021**

(80) **Hague Agreement Data**

Int. Filing Date: **Feb. 1, 2021**
 Int. Reg. No.: **DM/212724**
 Int. Reg. Date: **Feb. 1, 2021**
 Int. Reg. Pub. Date: **Feb. 26, 2021**

(51) **LOC (13) Cl.** **30-06**
 (52) **U.S. Cl.**
 USPC **D30/118; D30/112**
 (58) **Field of Classification Search**
 USPC D30/108, 112, 118, 119; D6/382, 675.5,
 D6/715.2, 718.1, 718.11, 718.12; D3/304
 CPC A01K 1/0353
 See application file for complete search history.

(56) **References Cited**

U.S. PATENT DOCUMENTS

D326,936 S *	6/1992	Moore	D30/161
D539,487 S *	3/2007	Van Ysseldyk	D30/118
D677,072 S *	3/2013	Pegza	D6/383
D702,891 S *	4/2014	Yang	D30/119
D726,971 S *	4/2015	Itzhak-Sigron	D30/118
D815,364 S *	4/2018	Lara	D30/118
D867,674 S *	11/2019	Adam	D30/108
D885,077 S *	5/2020	Kamler	D6/382
D930,260 S *	9/2021	Kellogg	D30/108

2013/0192533 A1*	8/2013	Lamke	A01K 1/033 119/499
2013/0276708 A1*	10/2013	Wolfe, Jr.	A01K 15/02 119/28.5
2017/0339916 A1*	11/2017	Deraps	A01K 1/033
2018/0153134 A1*	6/2018	Hedley	A01K 29/00

OTHER PUBLICATIONS

“WLO: Pet Beds on Etsy”. Found online May 5, 2021 at etsy.com. Reference dated Feb. 6, 2020. Retrieved from https://www.etsy.com/shop/WLOWood?ref=simple-shop-header-name&listing_id=866862057.*

“New Age Pet: EcoFlex Dog Bed Nightstand”. Found online Jan. 14, 2022 at amazon.com. Reference dated Nov. 19, 2017. Retrieved from <https://www.amazon.com/New-Age-Pet-Sundown-Nightstand/dp/B0758D7T9Z/>.*

“Petperoni: Six Stylish Dog Crates and Houses”. Found online Apr. 5, 2017 at petperoni.com. Reference dated Mar. 22, 2015. Retrieved from <http://www.petperoni.com/index.php/6-stylish-dog-crates-and-houses/>.*

* cited by examiner

Primary Examiner — Kendra Leslie Hamilton
 (74) *Attorney, Agent, or Firm* — James G. Passé; Passé Intellectual Property, LLC.

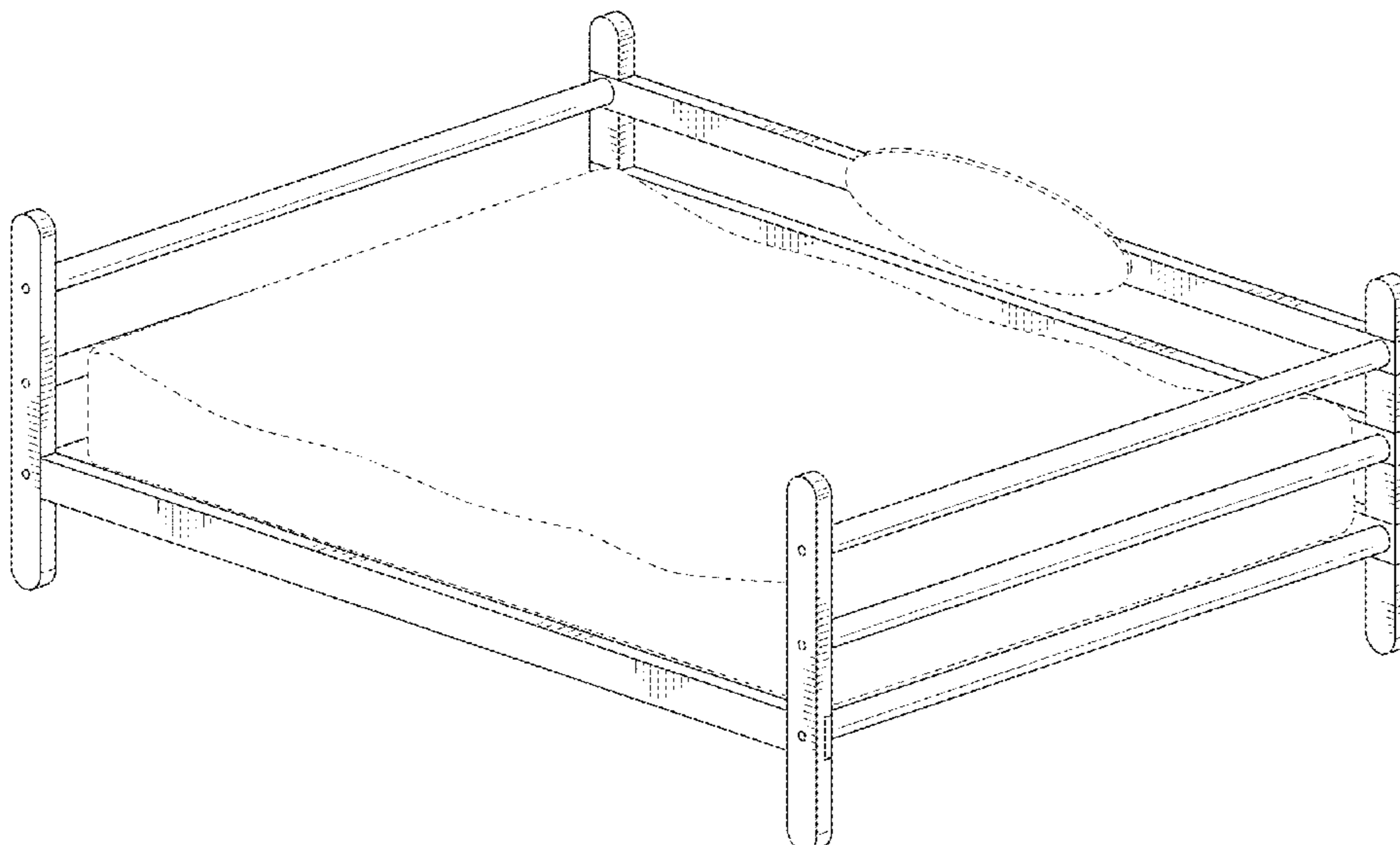
(57) **CLAIM**

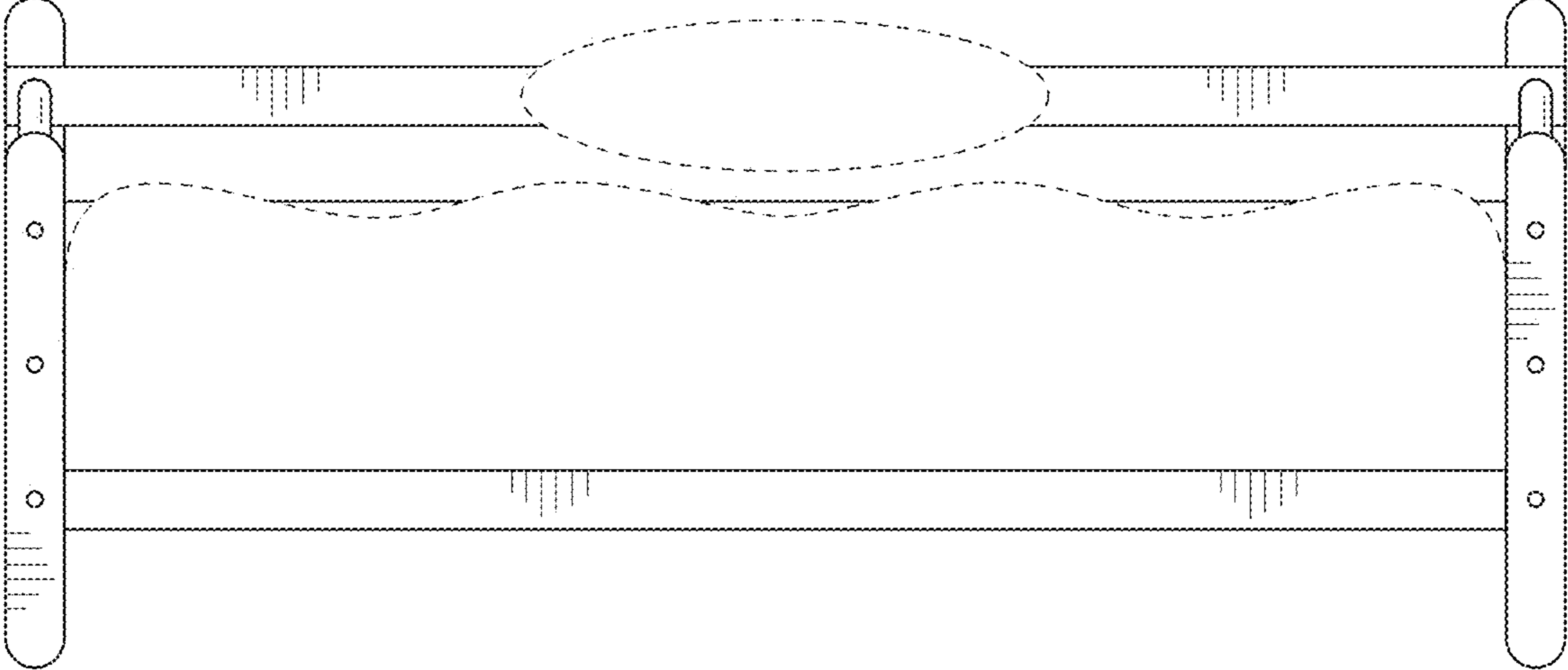
The ornamental design for a bed for animals, as shown and described.

DESCRIPTION

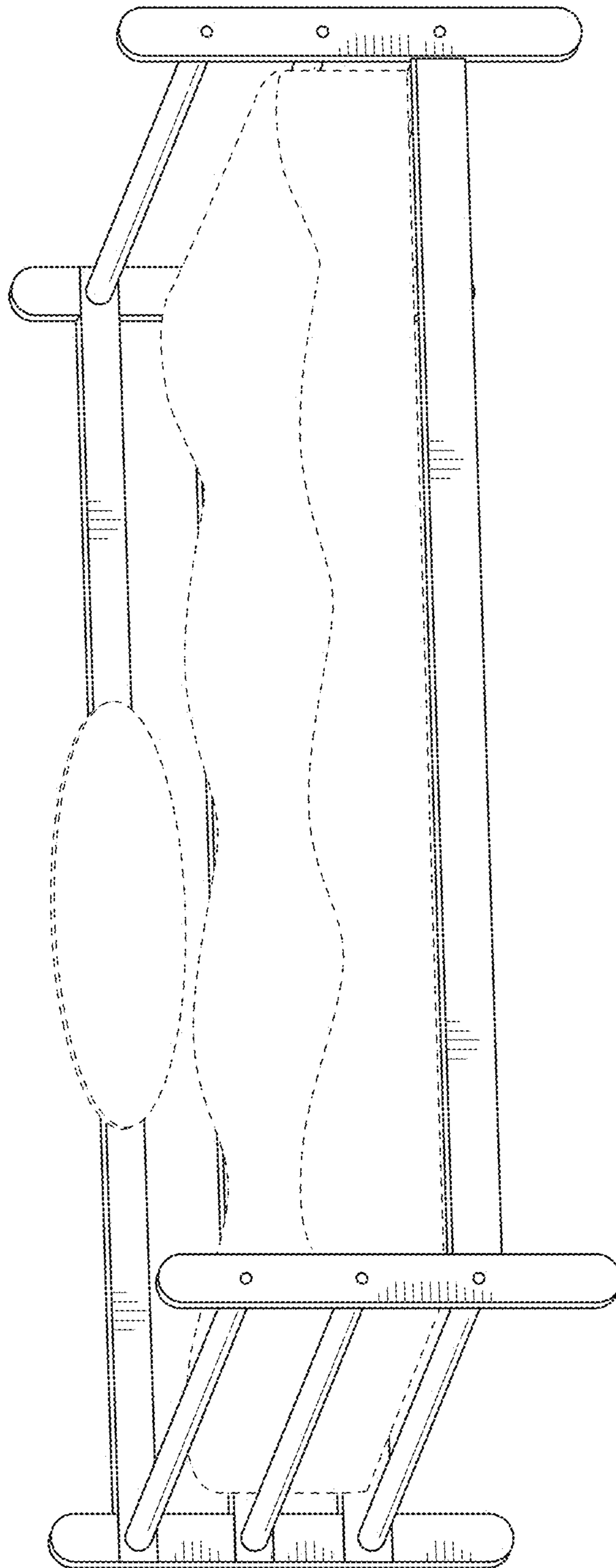
5.1: top, front perspective view of a bed for animals showing my new design;
5.2: top, front, left perspective view thereof;
5.3: top, front, right perspective view thereof;
5.4: top, front, left perspective view thereof;
5.5: top, rear, right perspective view thereof;
5.6: top, front perspective view thereof; and
5.7: bottom perspective view thereof.
 In the drawings, the broken lines depict portions of the bed for animals that form no part of the claimed design.

1 Claim, 7 Drawing Sheets

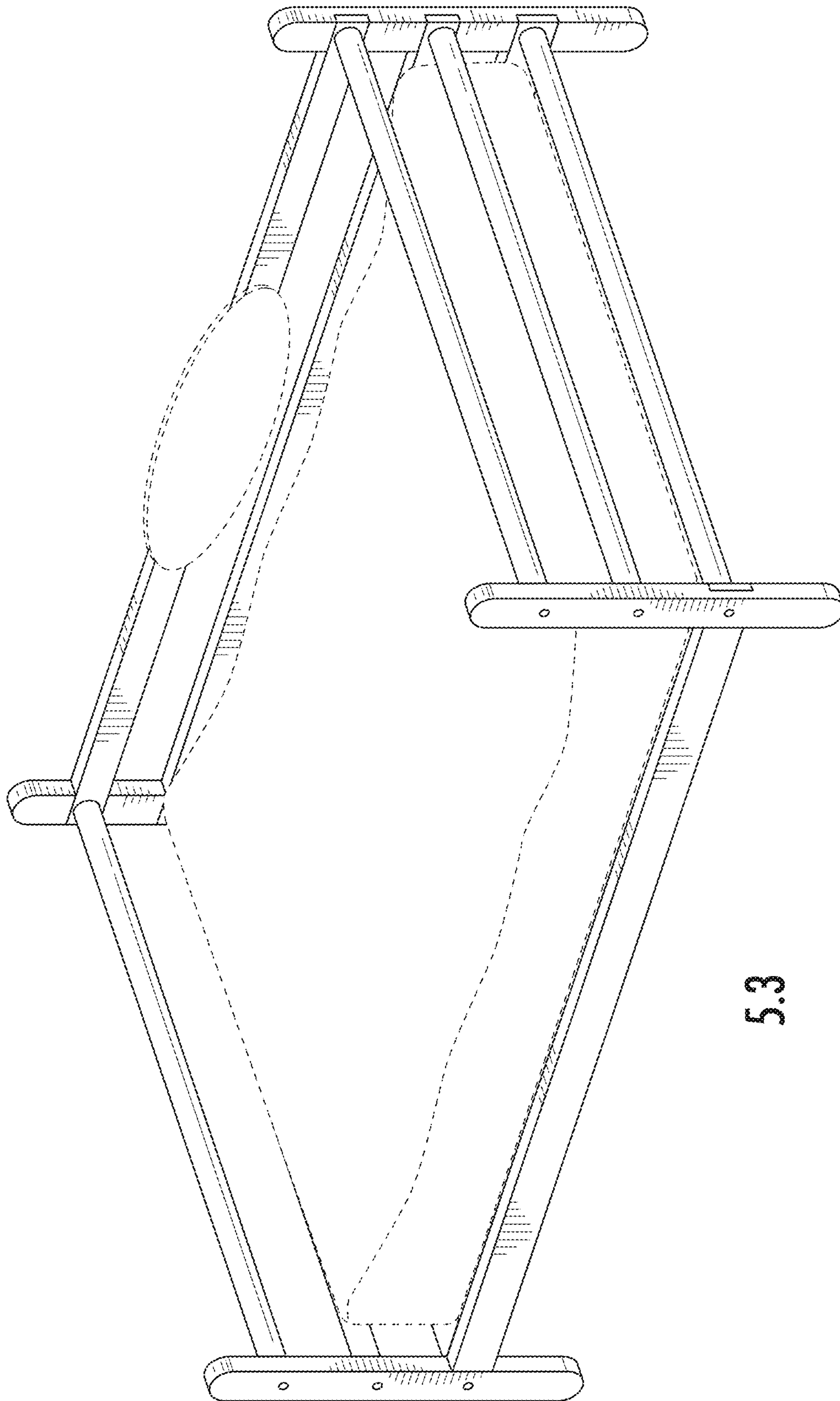


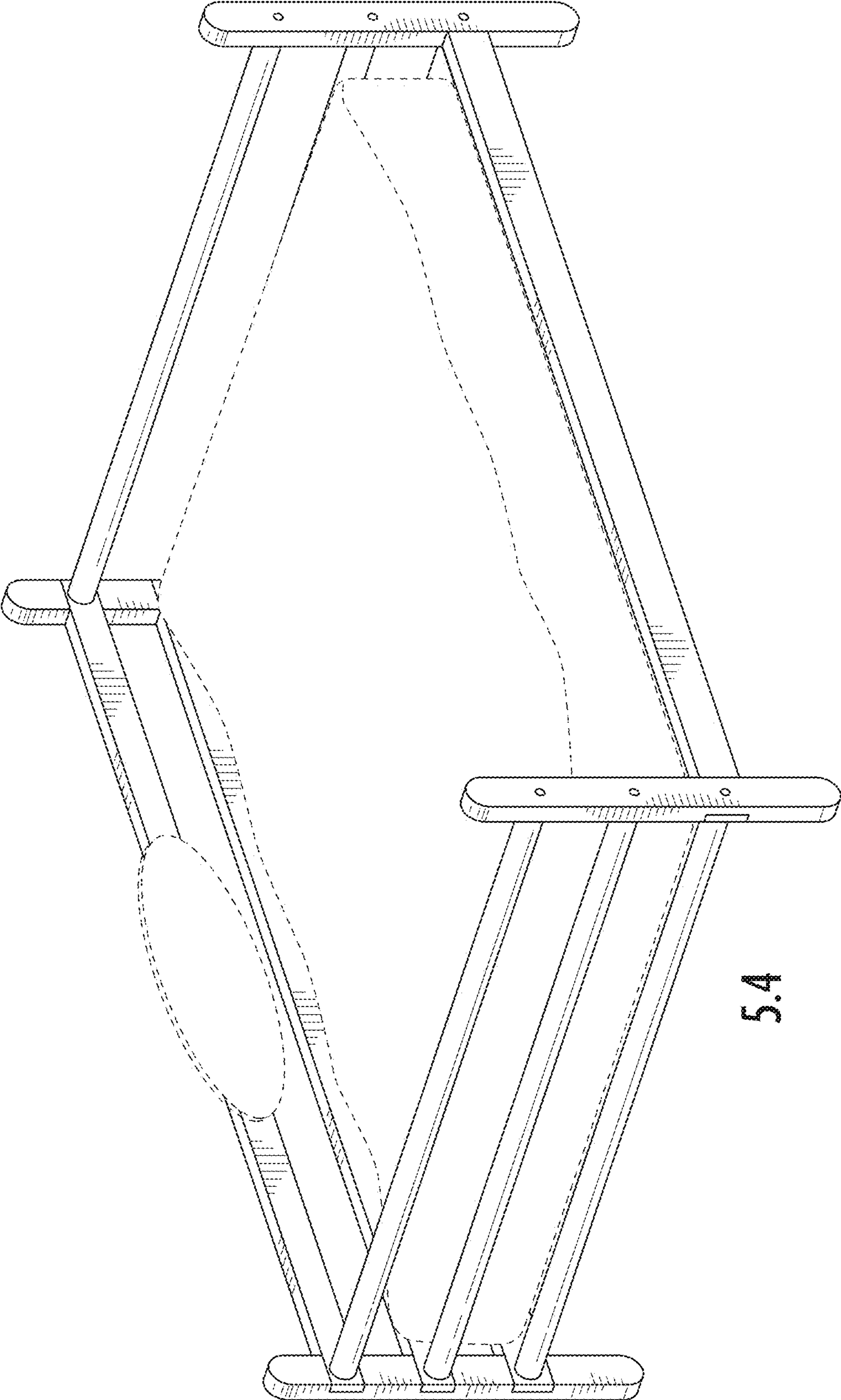


5.1

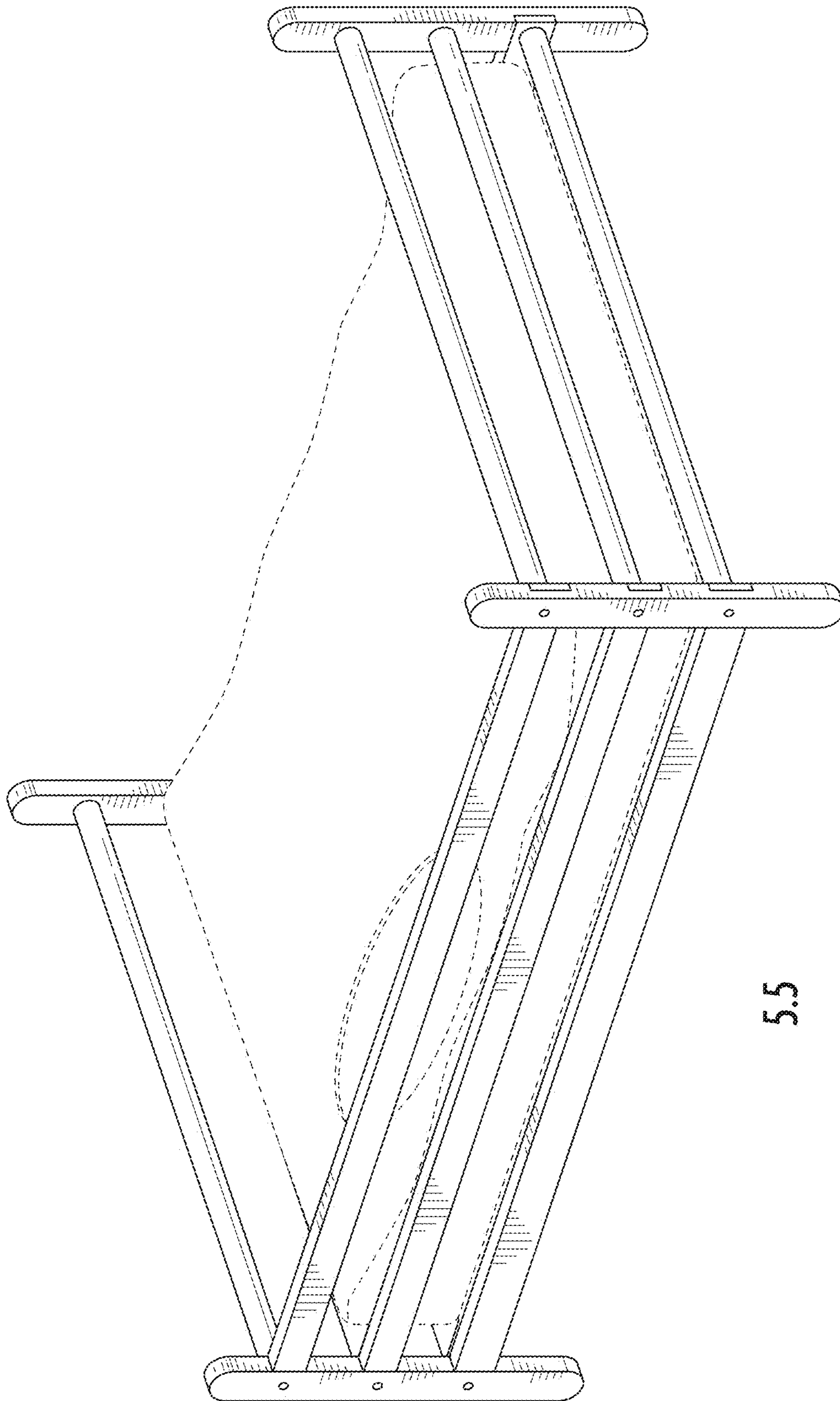


5.2

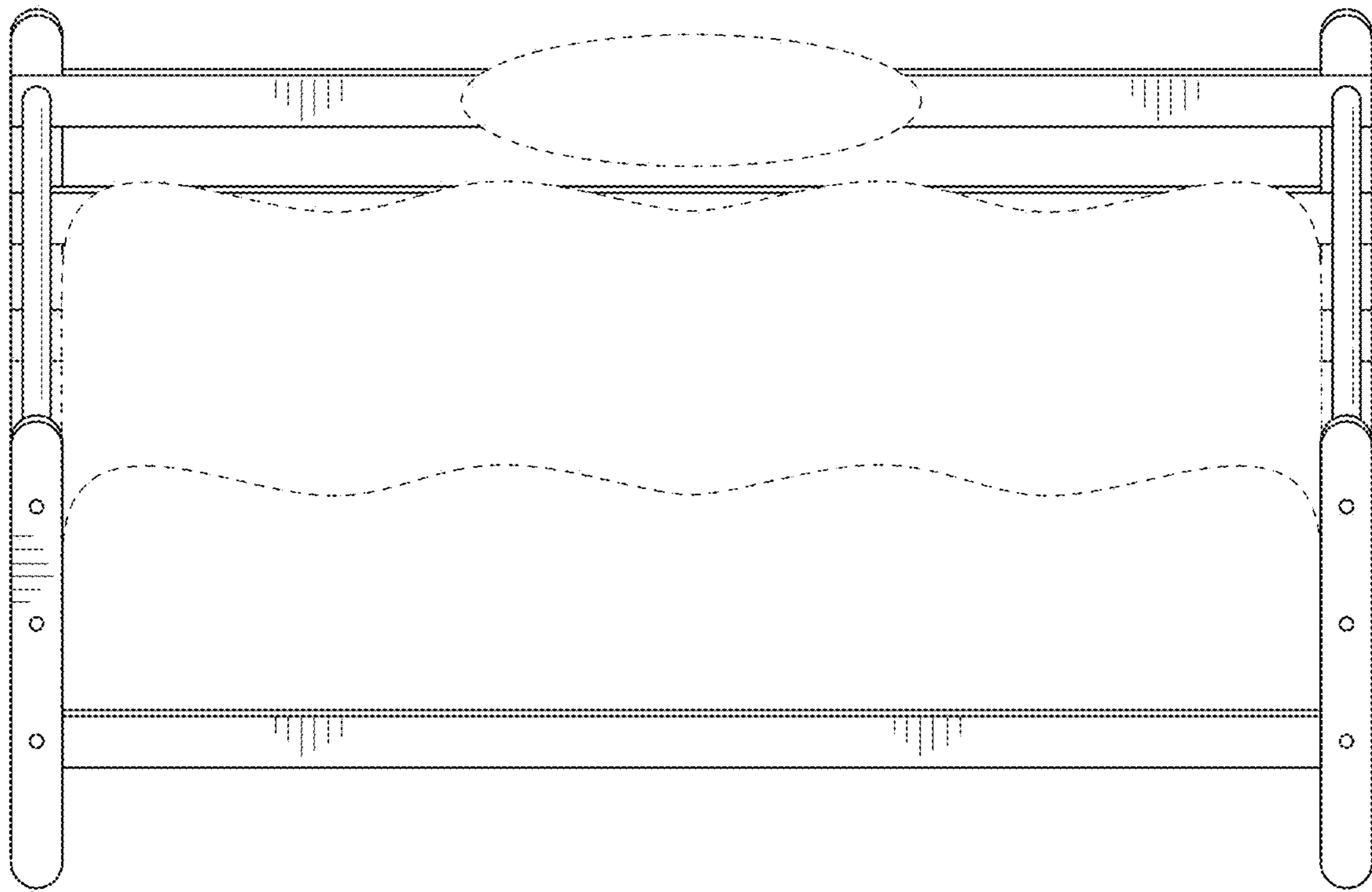




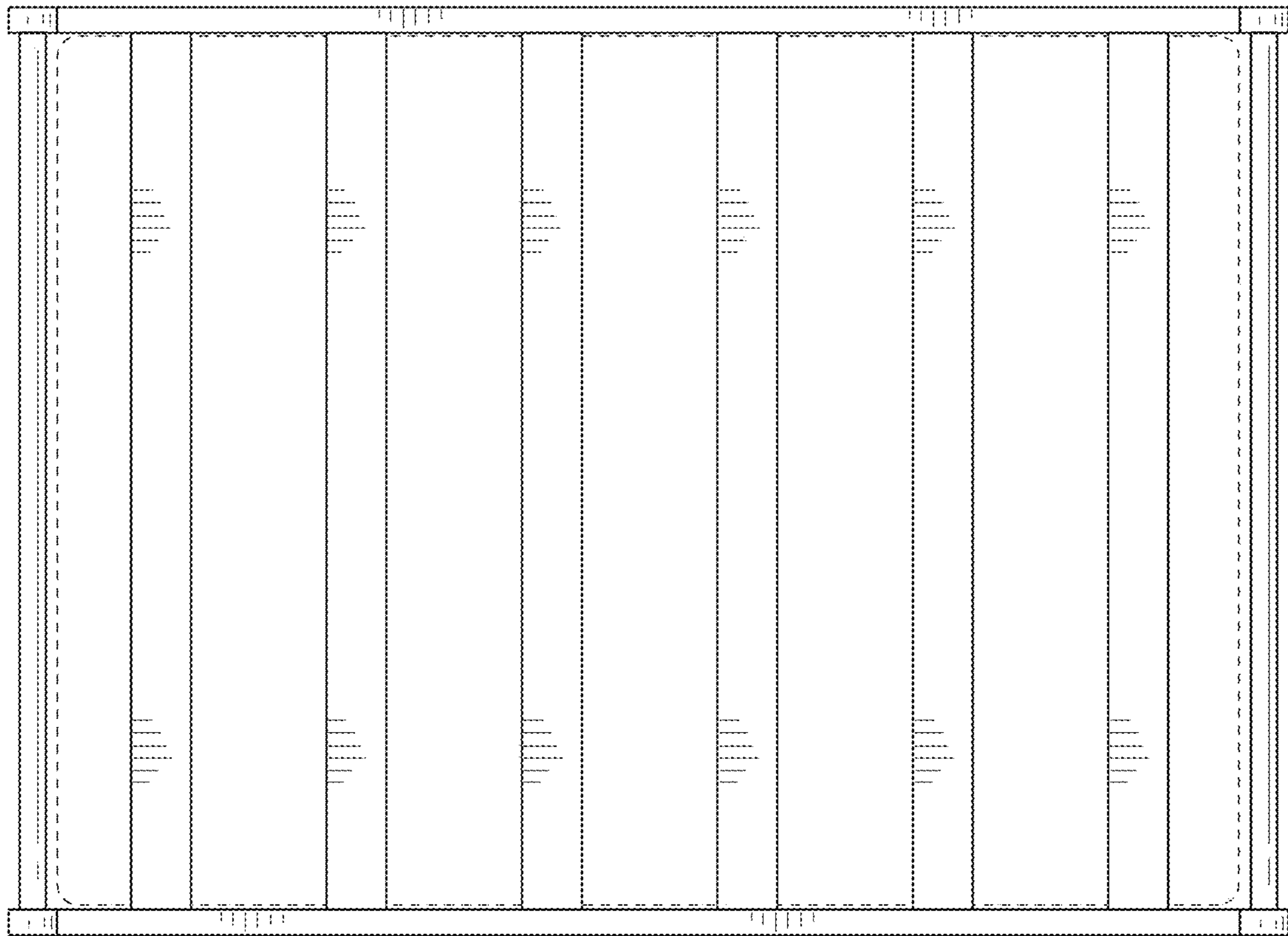
5.4



5.5



5.6



5.7