



US00D957746S

(12) **United States Design Patent** (10) **Patent No.:** **US D957,746 S**  
**Minier** (45) **Date of Patent:** **\*\* Jul. 12, 2022**

(54) **PET TRAVEL BAG**

FOREIGN PATENT DOCUMENTS

(71) Applicant: **ROSEBROOK, LLC**, Goleta, CA (US)

EM 005256922-0008 \* 5/2018

(72) Inventor: **Susan M. Minier**, Goleta, CA (US)

EM 006951430-0002 \* 10/2019

KR 301035581.0000 \* 12/2019

(73) Assignee: **ROSEBROOK, LLC**, Goleta, CA (US)

OTHER PUBLICATIONS

(\*\*) Term: **15 Years**

Airline Approved Pet Travel Bag, available in Amazon.com, date first available Jul. 13, 2020 [online], [site visited Feb. 11, 2022], Available from the internet URL: [https://www.amazon.com/dp/B08CTTX2FP/ref=cm\\_sw\\_em\\_r\\_mt\\_dp\\_dl\\_JJ3SS8FWR83YPHNB6M5R?\\_encoding=UTF8&th=1](https://www.amazon.com/dp/B08CTTX2FP/ref=cm_sw_em_r_mt_dp_dl_JJ3SS8FWR83YPHNB6M5R?_encoding=UTF8&th=1) (Year: 2020).\*

(21) Appl. No.: **29/745,906**

(Continued)

(22) Filed: **Aug. 10, 2020**

(51) **LOC (13) Cl.** ..... **30-02**

(52) **U.S. Cl.**

USPC ..... **D30/108**; D7/607

(58) **Field of Classification Search**

USPC ..... D3/232; D7/607; D30/108, 109, 110, D30/111, 112, 113, 114, 115, 116, 117, D30/118, 119, 120, 160, 161

CPC .. A01K 1/0107; A01K 1/0236; A01K 1/0272; A01K 1/029; A01K 1/033; A01K 1/034; A01K 1/035; A01K 1/0035; A45C 7/0086

See application file for complete search history.

*Primary Examiner* — Jennifer L Rempfer

(74) *Attorney, Agent, or Firm* — Loza; George G. C. Tseng

(57) **CLAIM**

I claim the ornamental design for a pet travel bag, as shown and described.

**DESCRIPTION**

FIG. 1 is a perspective view of a pet travel bag, configured in accordance to the present invention.

FIG. 2 is a front elevation view of the pet travel bag of FIG. 1;

FIG. 3 is a rear elevation view of the pet travel bag of FIG. 1;

FIG. 4 is a left-side plan view of the pet travel bag of FIG. 1;

FIG. 5 is a right-side plan view of the pet travel bag of FIG. 1;

FIG. 6 is a top plan view of a pet travel bag of FIG. 1; and, FIG. 7 is a bottom plan view of the pet travel bag of FIG. 1.

The broken lines show features of the pet travel bag that form no part of the claimed design.

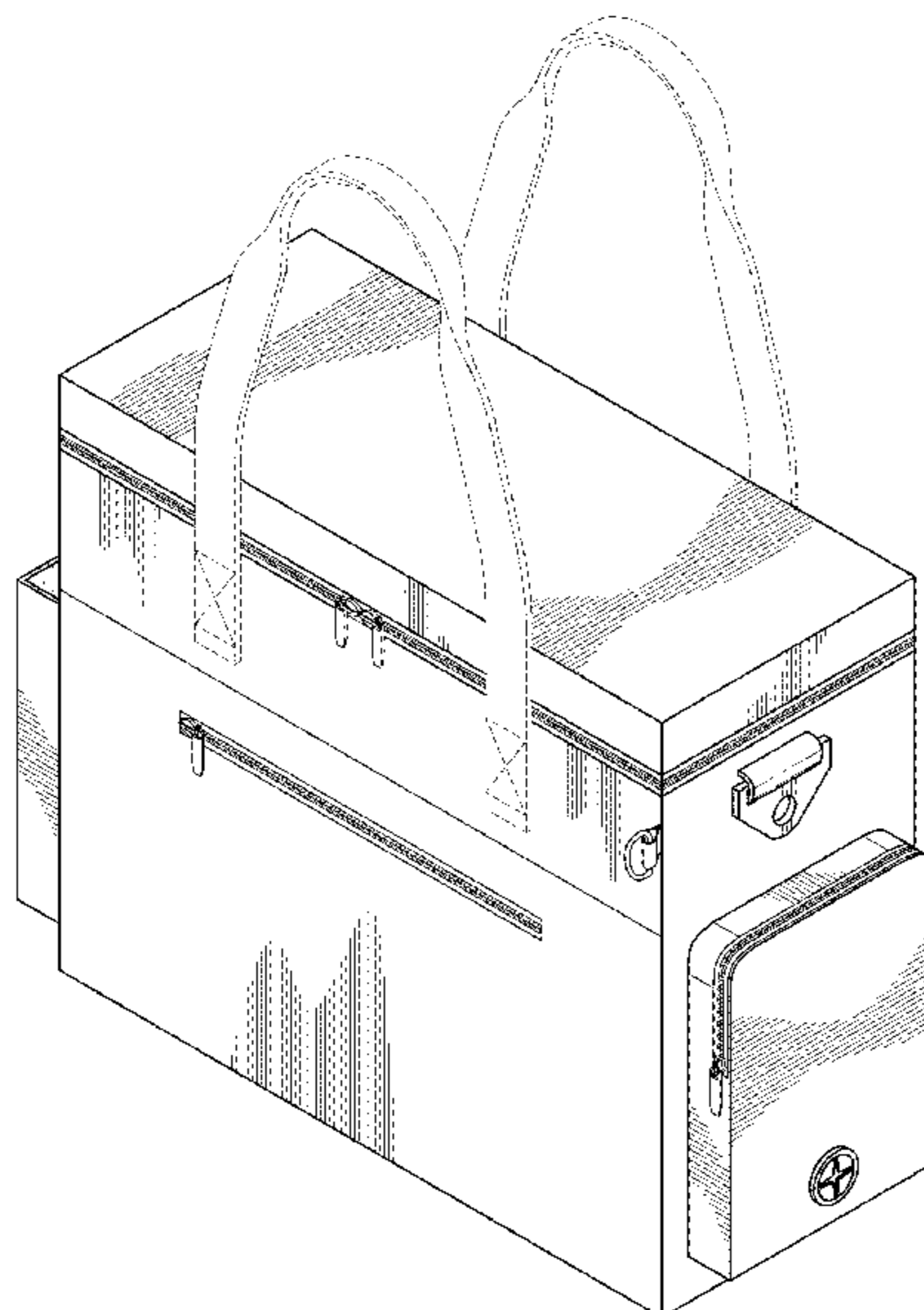
(56) **References Cited**

U.S. PATENT DOCUMENTS

D472,431 S *	4/2003	Spence, Jr. ....	D3/289
D478,782 S *	8/2003	Li .....	D7/607
7,617,917 B2 *	11/2009	Hai .....	A01K 1/0254
			190/106
D717,502 S *	11/2014	Dixon .....	D30/109
D861,335 S *	10/2019	Barlier .....	D7/607
D880,858 S *	4/2020	Wang .....	D3/287
D881,655 S *	4/2020	Jacobsen .....	D7/607
D904,830 S *	12/2020	Meda .....	D7/607
2006/0254952 A1 *	11/2006	Trevino .....	A45C 5/06
			190/110
2009/0049859 A1 *	2/2009	Moon .....	A45C 15/00
			62/457.7
2019/0075898 A1 *	3/2019	Friedgood .....	A45C 13/005

(Continued)

**1 Claim, 6 Drawing Sheets**



(56)

**References Cited**

U.S. PATENT DOCUMENTS

2020/0178497 A1\* 6/2020 Friedgood ..... A45C 13/00  
2021/0227787 A1\* 7/2021 Friedgood ..... A45C 5/06

OTHER PUBLICATIONS

Dog Travel Bag for Supplies by Lucky Tail, available in Amazon.com, date first available Aug. 14, 2020 [online], [site visited Feb. 11, 2022], Available from the internet URL: [https://www.amazon.com/dp/B087N9J3DX/ref=cm\\_sw\\_em\\_r\\_mt\\_dp\\_GED4XDB9K4MD86EFT2JQ?th=1](https://www.amazon.com/dp/B087N9J3DX/ref=cm_sw_em_r_mt_dp_GED4XDB9K4MD86EFT2JQ?th=1) (Year: 2020).\*

Lifewit Large Lunch Bag Insulated Lunch Box, available in Amazon.ca, date first available Mar. 5, 2018 [online], [site visited Feb. 18, 2022], Available from the internet URL: [https://www.amazon.ca/dp/B0788GKSZ9/ref=cm\\_sw\\_em\\_r\\_mt\\_dp\\_0CJK35AJR79150KSH48G?\\_encoding=UTF8&th=1](https://www.amazon.ca/dp/B0788GKSZ9/ref=cm_sw_em_r_mt_dp_0CJK35AJR79150KSH48G?_encoding=UTF8&th=1) (Year: 2018).\*

VP Home 48 Can Large Collapsible Insulated Cooler Bag, available in Amazon.ca, date first available Jul. 8, 2020 [online], [site visited Feb. 18, 2022], Available from the internet URL: [https://www.amazon.ca/dp/B088KQ64BC/ref=cm\\_sw\\_em\\_r\\_mt\\_dp\\_3NEPT08XKWB2M58JX342](https://www.amazon.ca/dp/B088KQ64BC/ref=cm_sw_em_r_mt_dp_3NEPT08XKWB2M58JX342) (Year: 2020).\*

\* cited by examiner

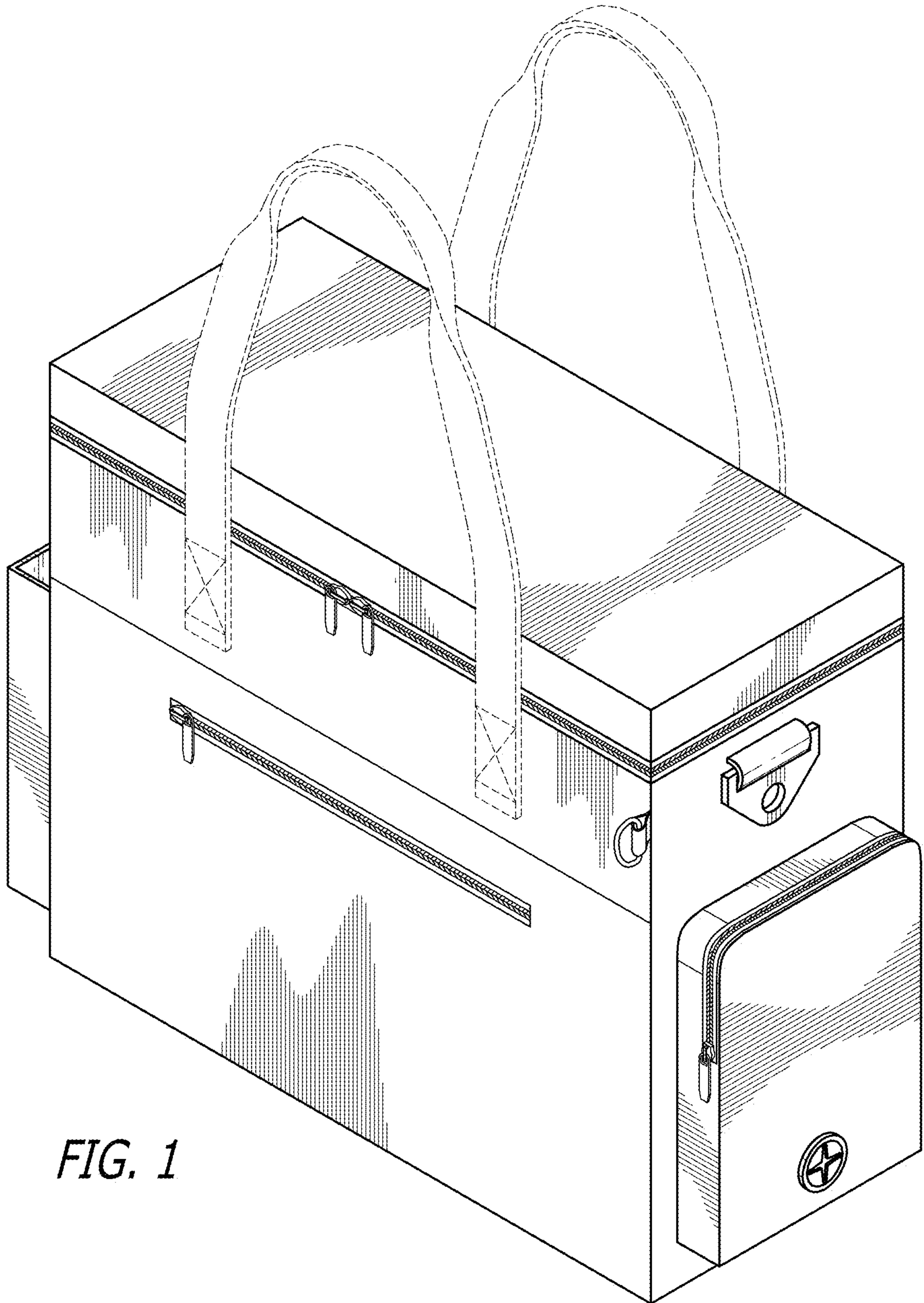


FIG. 1



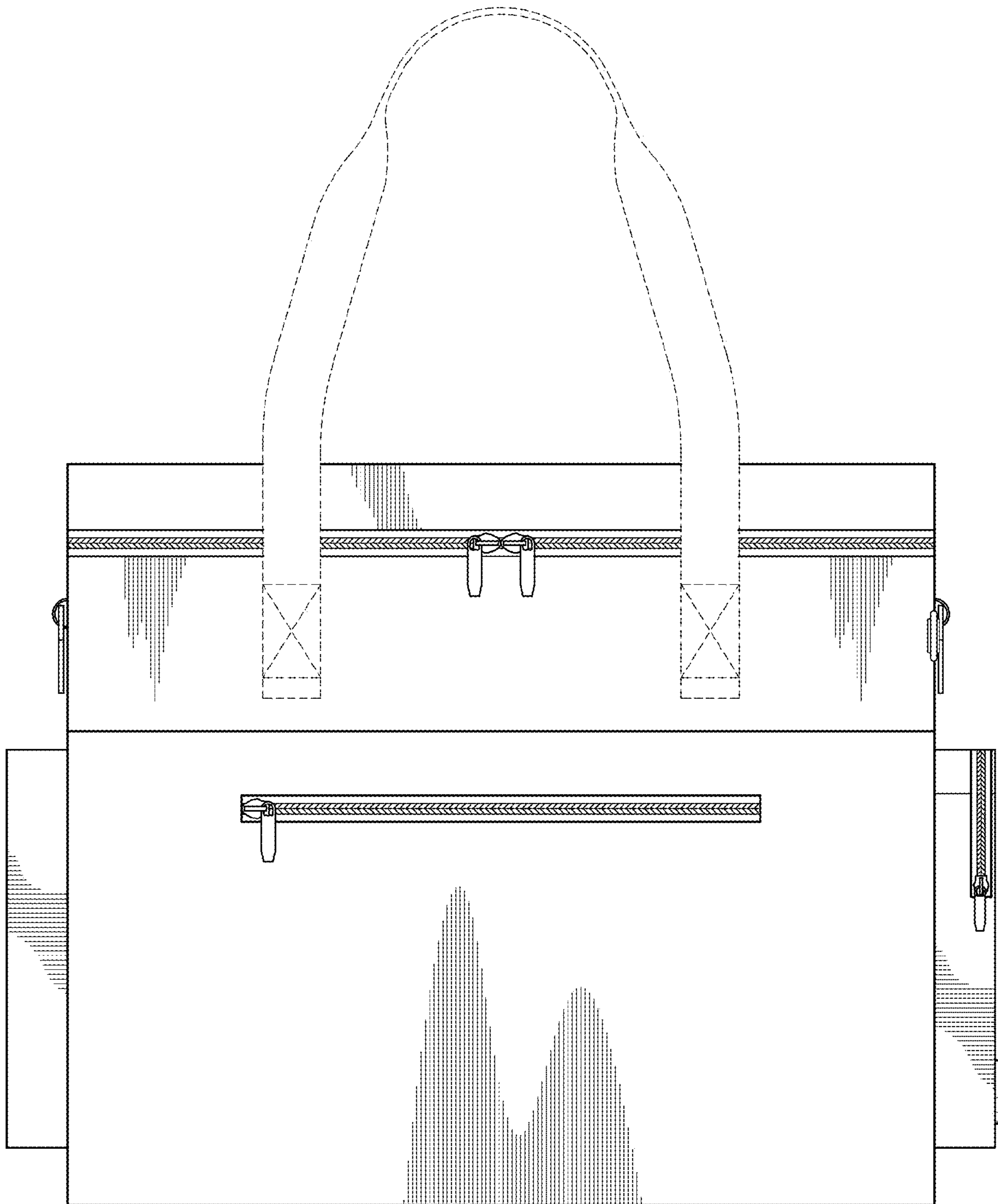


FIG. 2

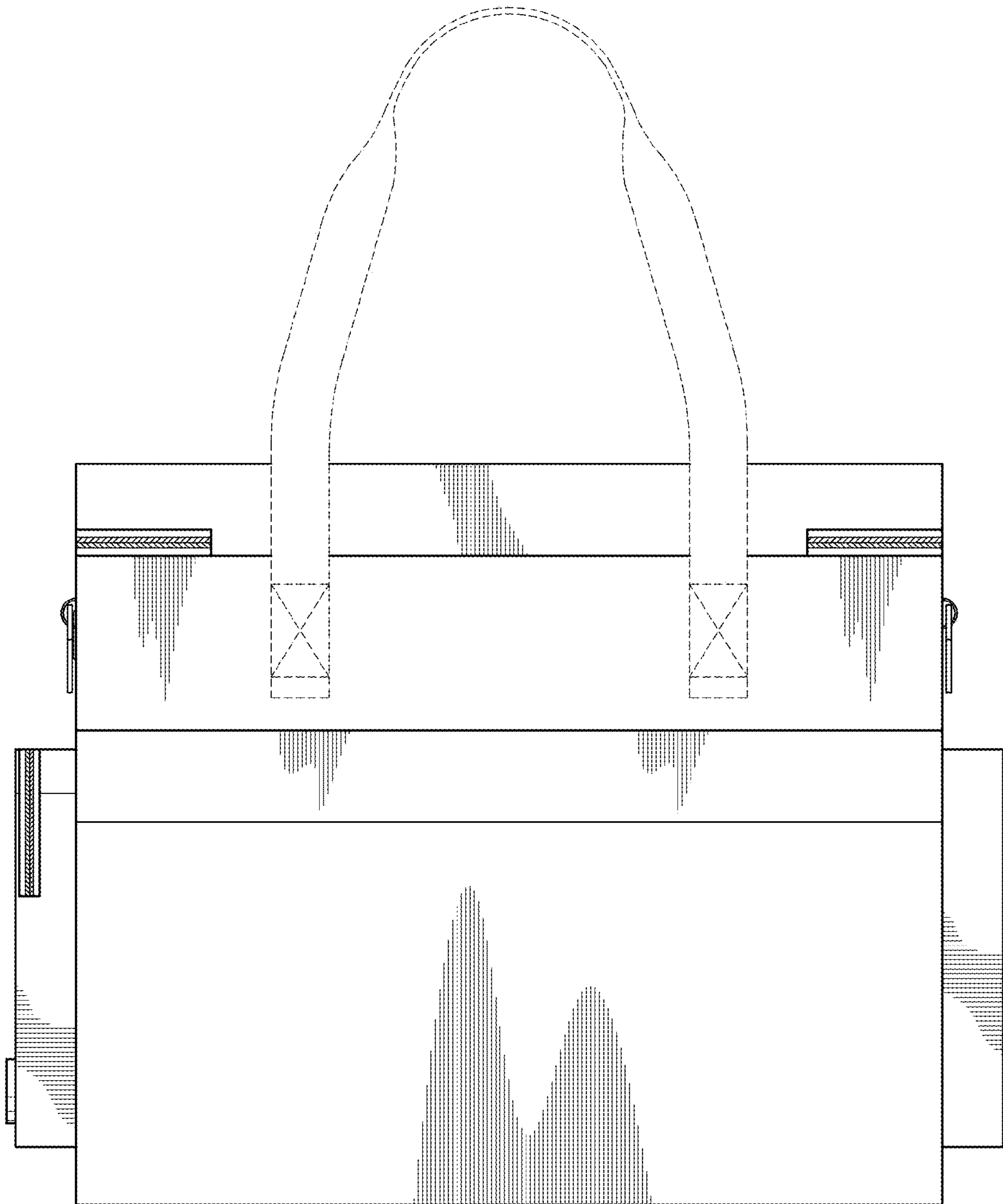


FIG. 3

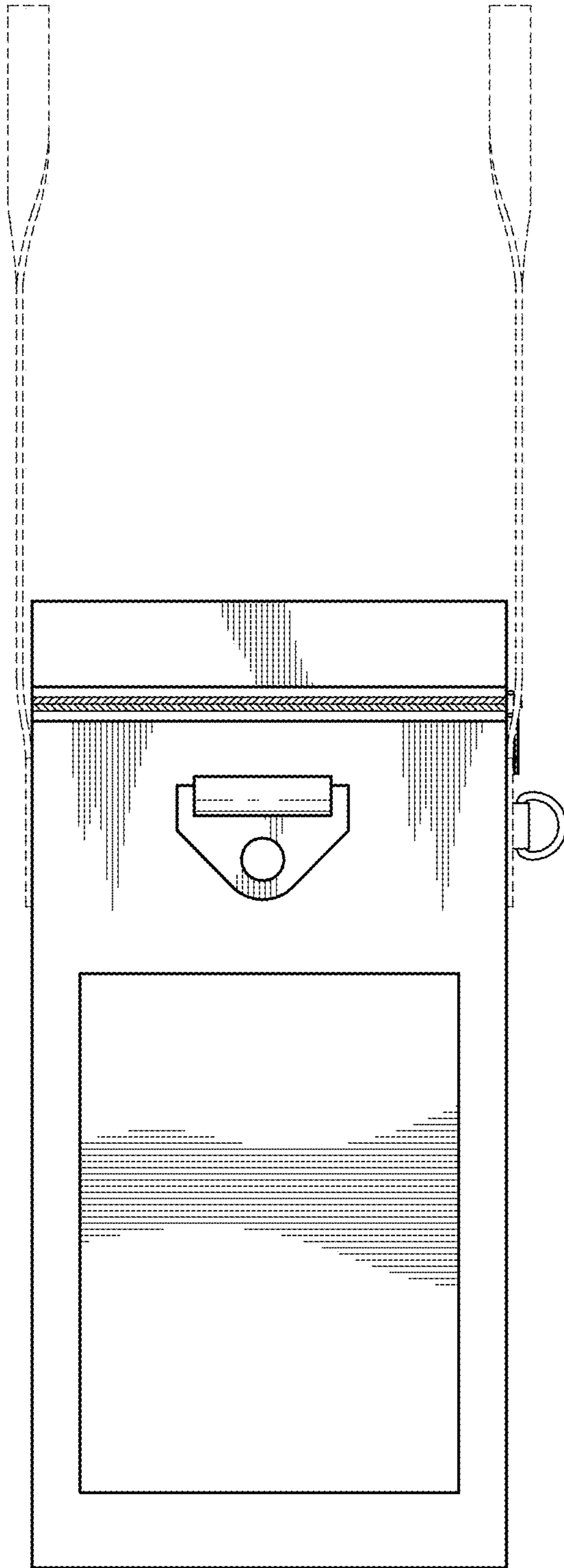
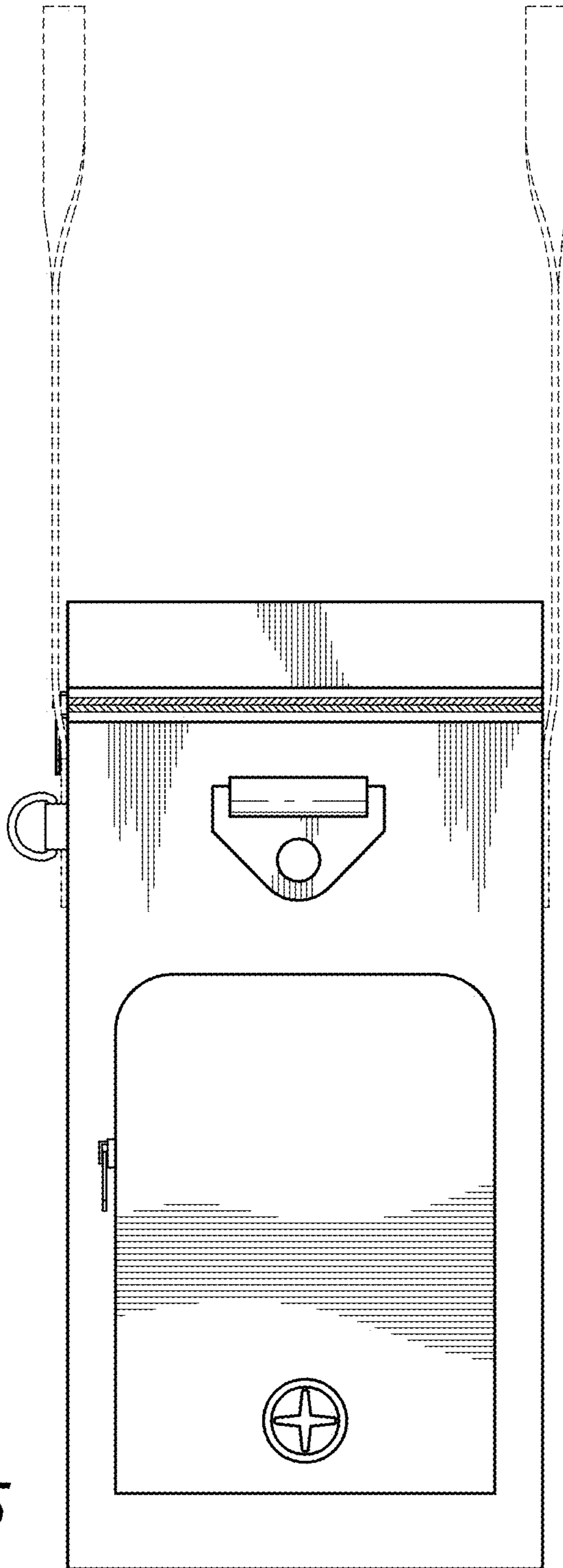


FIG. 4



*FIG. 5*

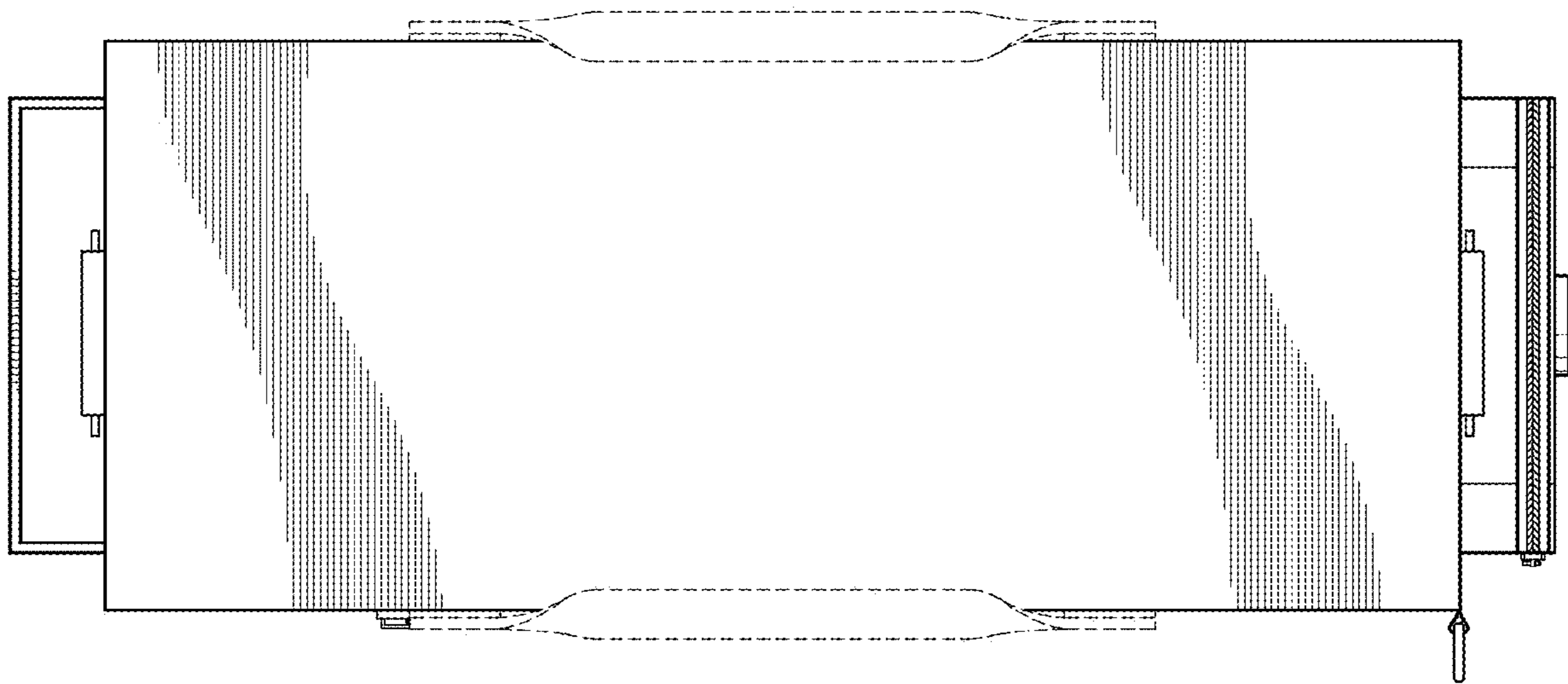


FIG. 6

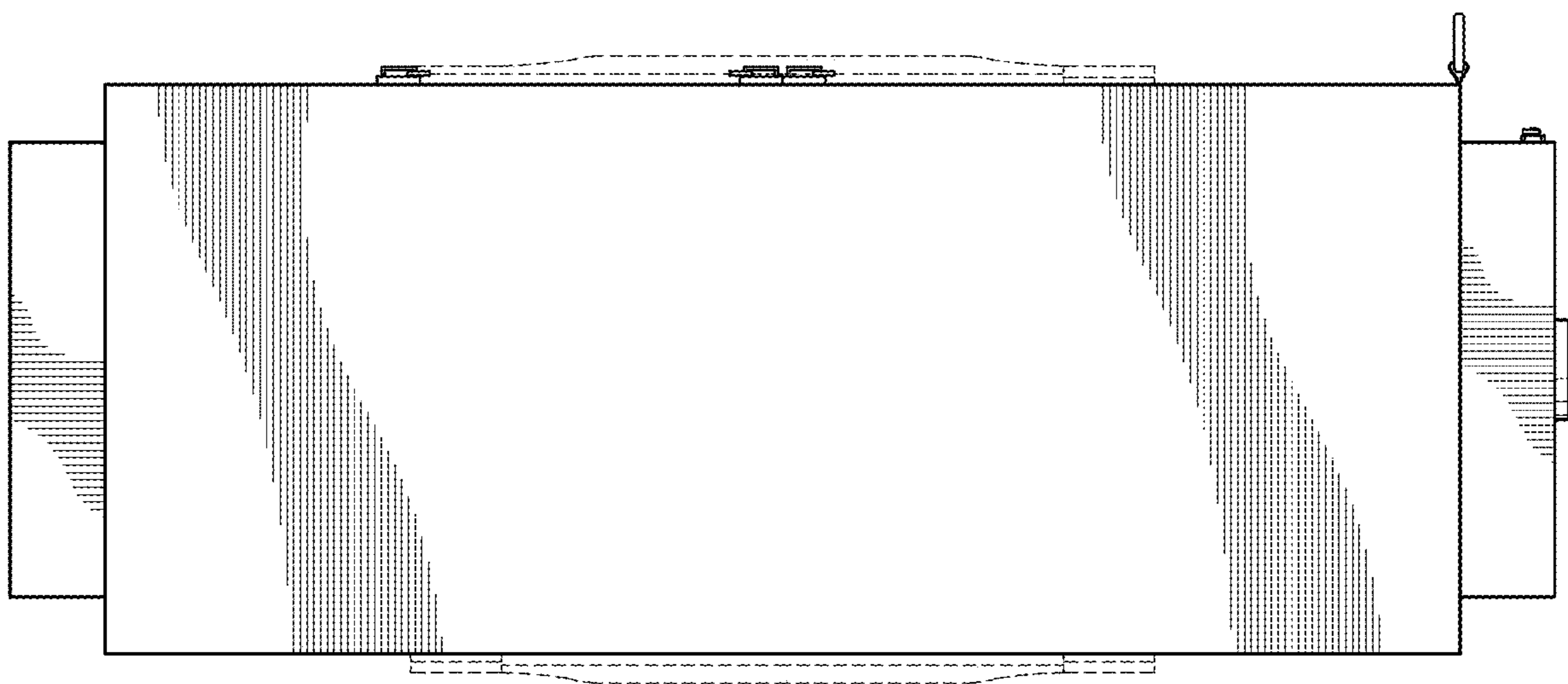


FIG. 7