



US00D957745S

(12) **United States Design Patent** (10) **Patent No.:** **US D957,745 S**
Mihlbauer et al. (45) **Date of Patent:** **** Jul. 12, 2022**

(54) **ANIMAL HABITAT**
(71) Applicant: **CENTRAL GARDEN & PET COMPANY**, Walnut Creek, CA (US)

D894,496 S * 8/2020 Hutchinson D30/108
D927,090 S * 8/2021 Hobbs, Jr. D30/119
D928,421 S * 8/2021 Jakubowski D30/119
D930,277 S * 9/2021 Huthmaker D30/119

(72) Inventors: **Brad L. Mihlbauer**, Mukwonago, WI (US); **Ryan T. McVeigh**, Wheeling, IL (US); **Alexander S. Chirban**, Wauwatosa, WI (US)

OTHER PUBLICATIONS

33 Gallon Terrarium, posted at wayfair.com, earliest date reviewed on Dec. 30, 2020, [online], acquired on Sep. 11, 2021, Available on internet. Url:https://www.wayfair.com/pet/pdp/reptizoo-33-gallons-terrarium-rptz1030.html (Year: 2020).*

(73) Assignee: **CENTRAL GARDEN & PET COMPANY**, Walnut Creek, CA (US)

64 Gallon Terrarium, posted at wayfair.com, earliest date reviewed on Dec. 30, 2020, [online], acquired on Sep. 11, 2021, Available on internet. Url:https://www.wayfair.com/pet/pdp/reptizoo-64-gallon-terrarium-rptz1004.html (Year: 2020).*

(**) Term: **15 Years**

* cited by examiner

(21) Appl. No.: **29/726,014**

(22) Filed: **Feb. 28, 2020**

Primary Examiner — Sheryl Lane

(51) **LOC (13) Cl.** **30-02**

Assistant Examiner — Aula Soroush

(52) **U.S. Cl.**
USPC **D30/108**

(74) *Attorney, Agent, or Firm* — Grossman, Tucker, Perreault & Pfeleger, PLLC

(58) **Field of Classification Search**
USPC D30/108–120, 160, 101–107
CPC A01K 1/00; A01K 1/0272; A01K 1/03;
A01K 63/00; A01K 63/003
See application file for complete search history.

(57) **CLAIM**

The ornamental design for an animal habitat, as shown and described.

DESCRIPTION

(56) **References Cited**

U.S. PATENT DOCUMENTS

3,149,608 A * 9/1964 Murphy A01K 63/045
119/253
D233,938 S * 12/1974 Shalom D30/101
5,000,118 A * 3/1991 Merritt A01K 63/003
119/246
6,054,146 A * 4/2000 Ballard A01K 61/85
426/2
D424,249 S * 5/2000 Banzaca D30/119
D683,080 S * 5/2013 Snow D30/108
D704,382 S * 5/2014 Wu D30/101
D879,386 S * 3/2020 Lin D30/101
D889,047 S * 6/2020 Kapaun D30/101

FIG. 1 is a perspective view of an animal habitat of the present invention;

FIG. 2 is a is a close up view of the latching mechanism circled in FIG. 1;

FIG. 3 is a front view thereof;

FIG. 4 is a rear view thereof;

FIG. 5 is a side view thereof;

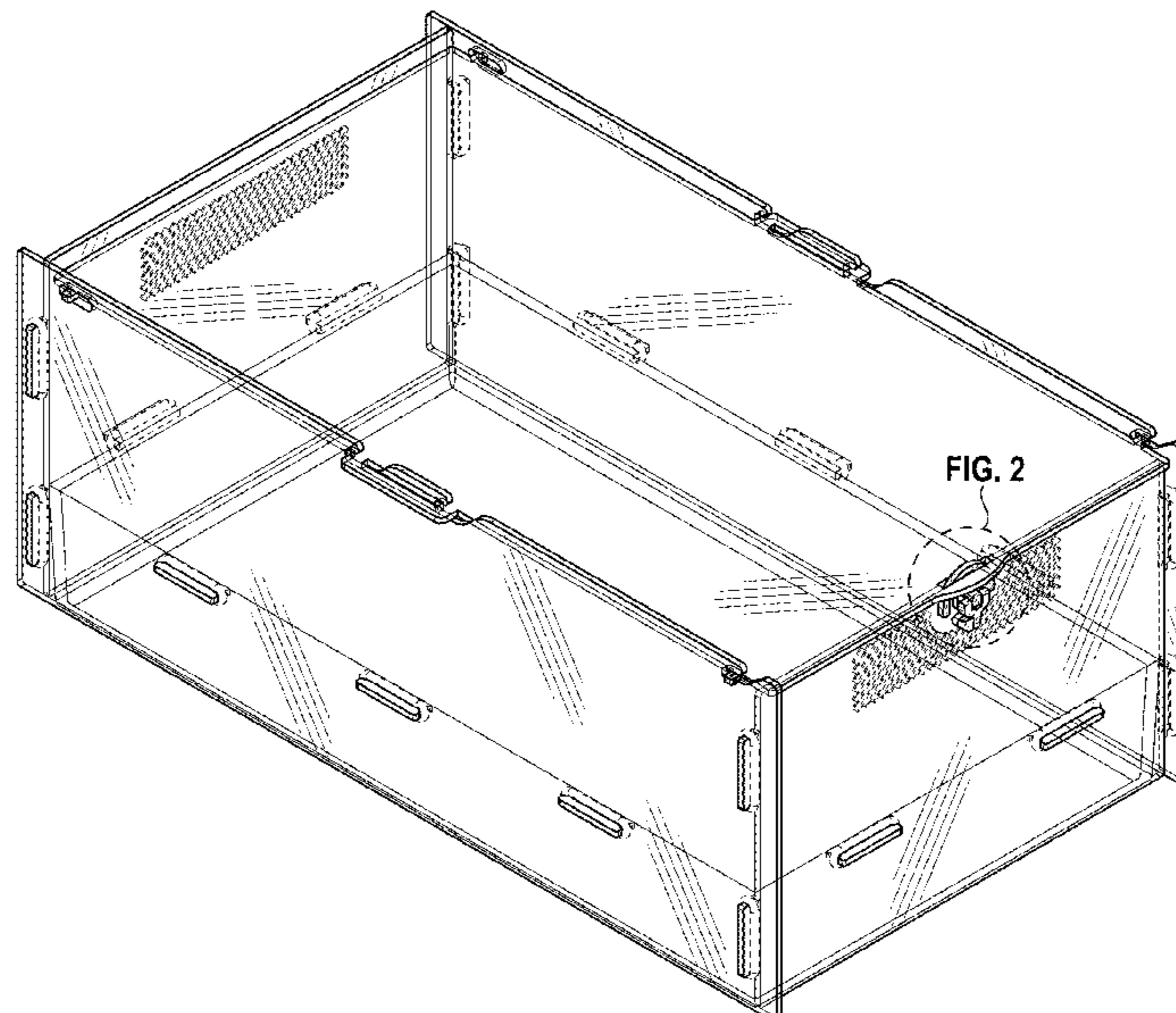
FIG. 6 is a side view thereof;

FIG. 7 is a top view thereof; and,

FIG. 8 is a bottom view thereof.

Portions of the animal habitat shown in broken lines in FIGS. 1-8 form no part of the claimed design.

1 Claim, 6 Drawing Sheets



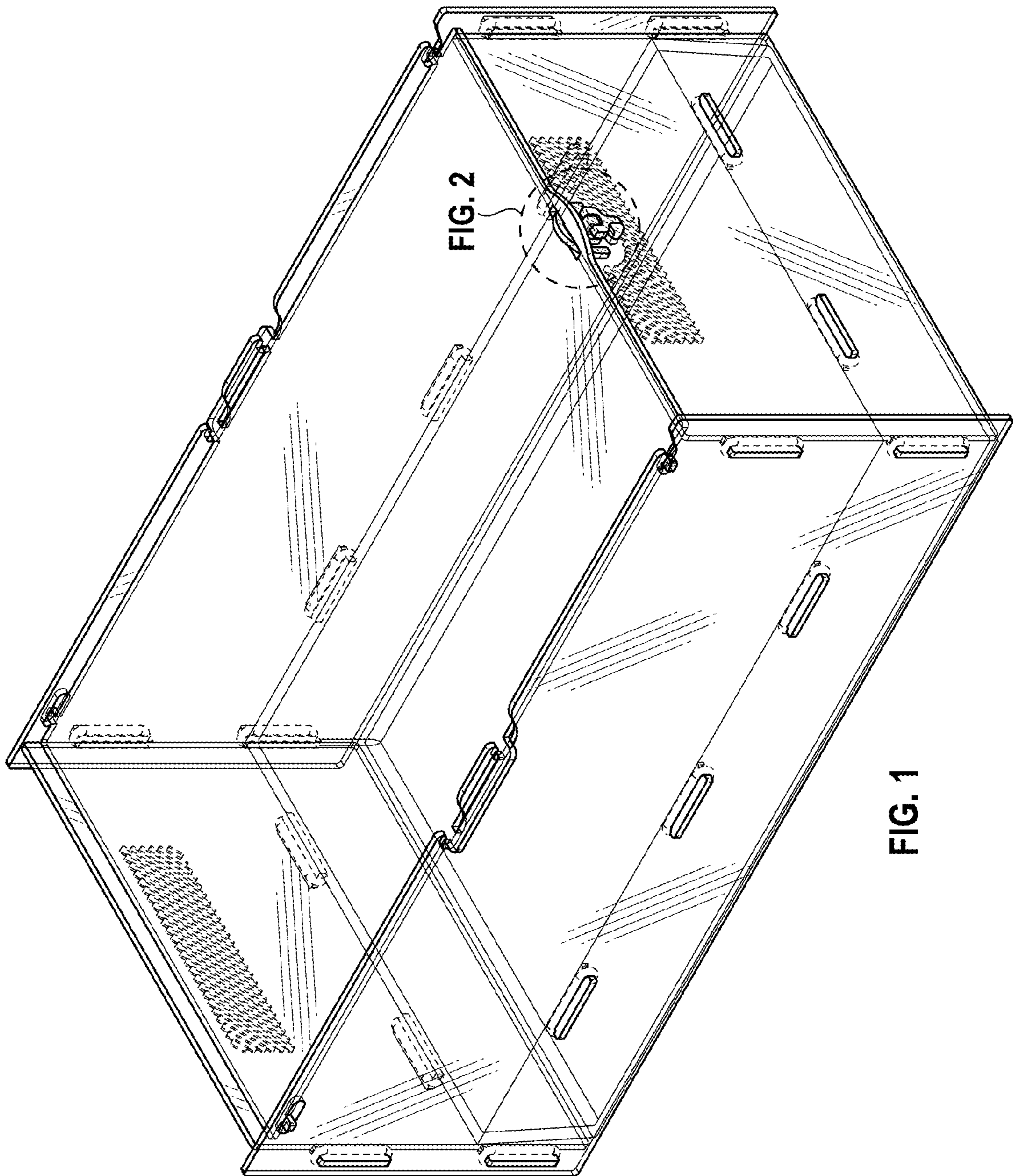


FIG. 1

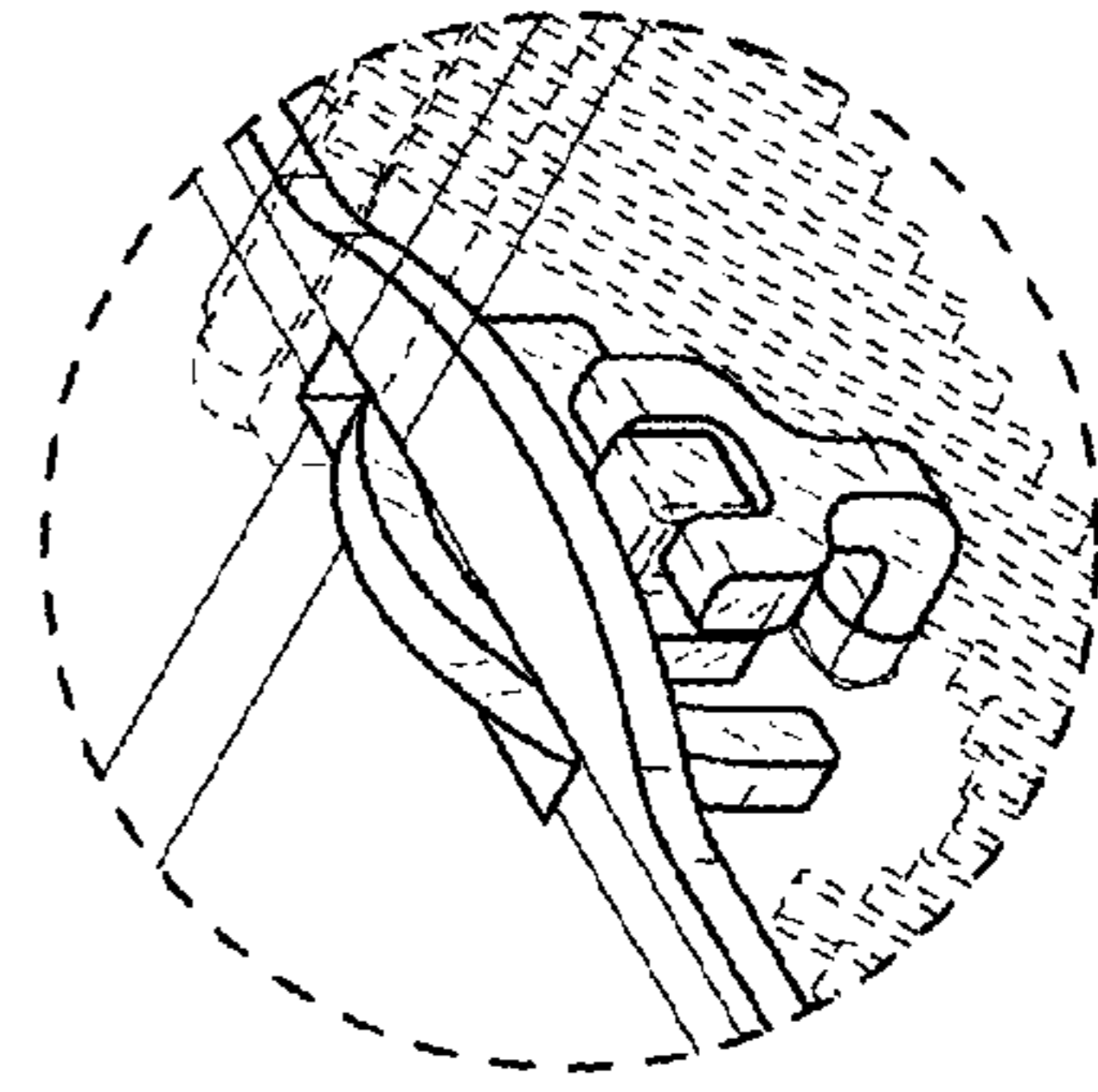


FIG. 2

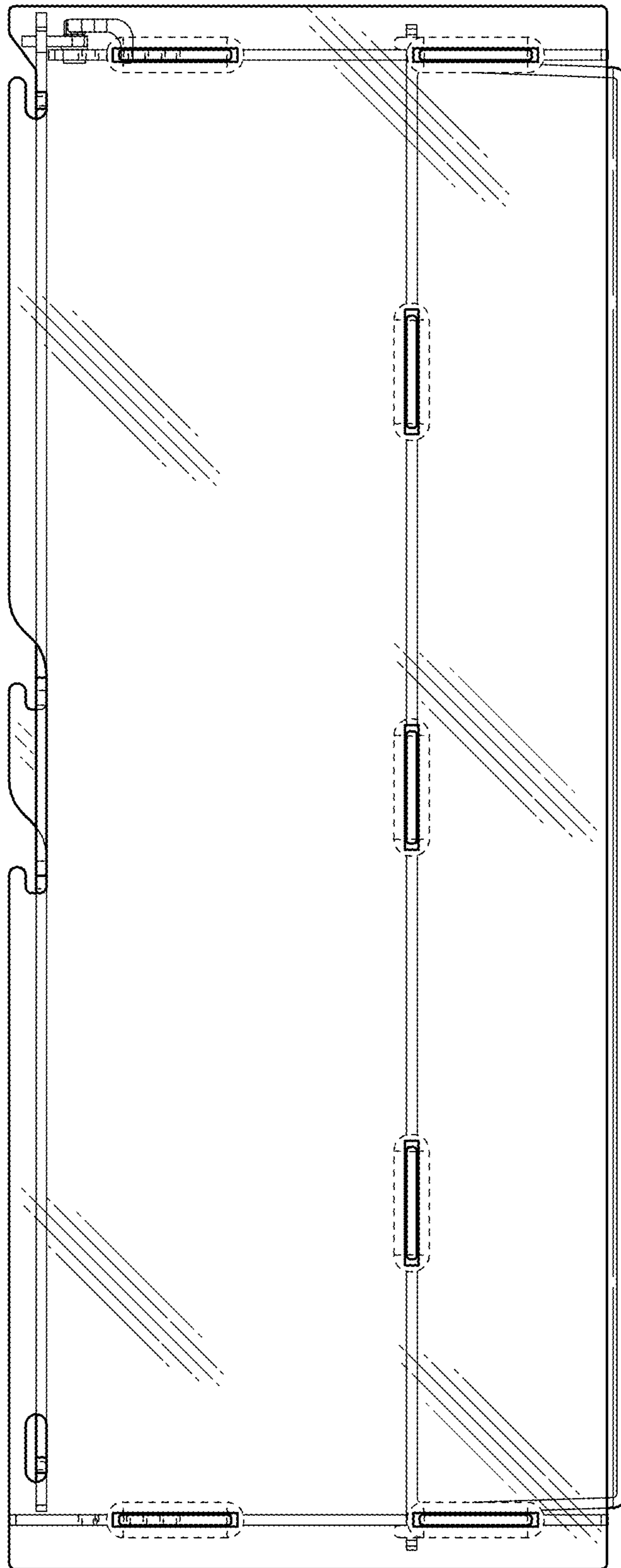


FIG. 3

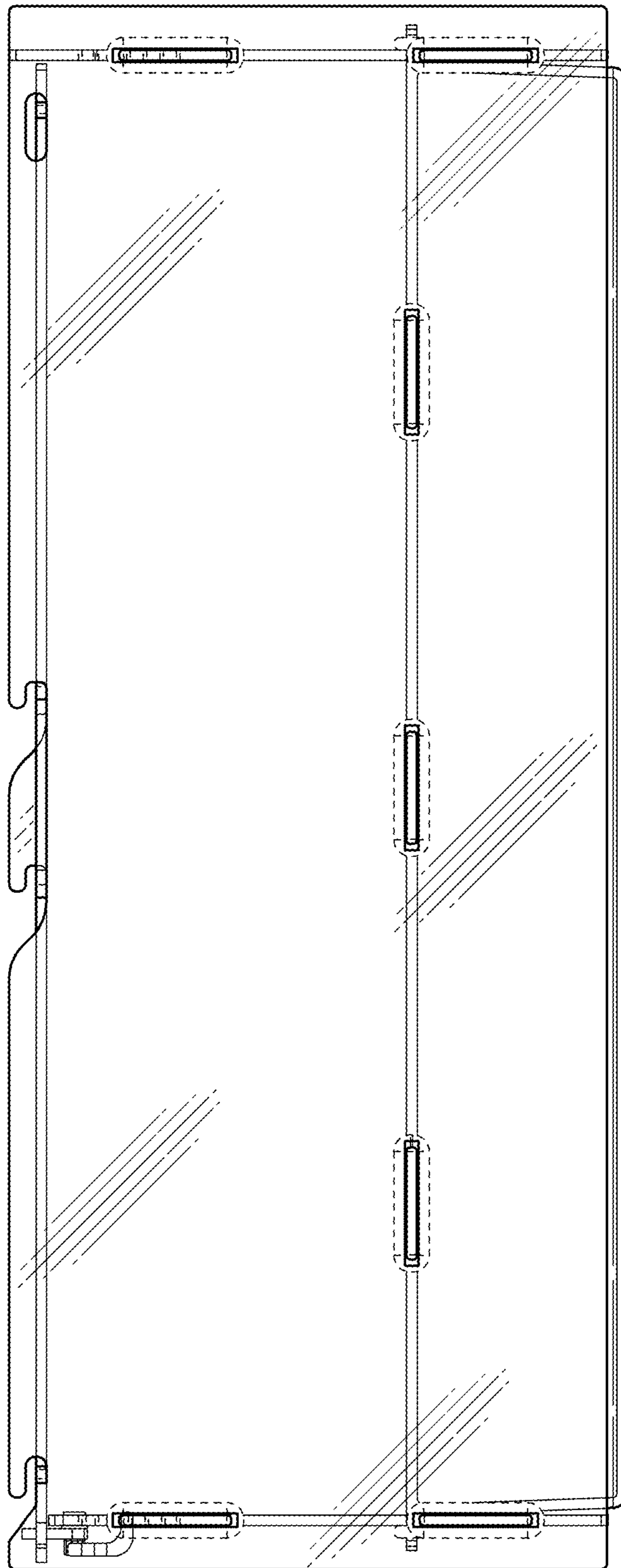


FIG. 4

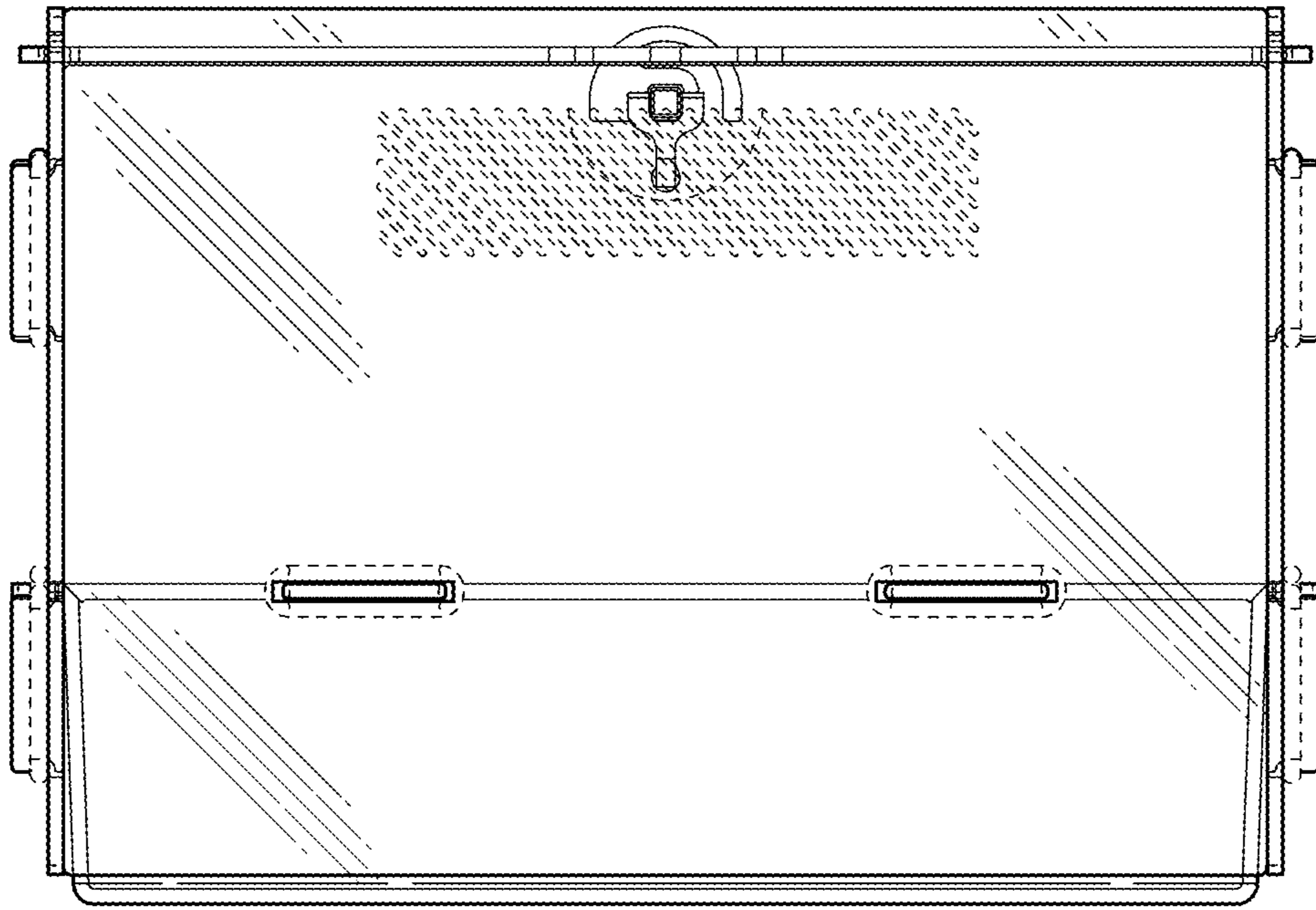


FIG. 5

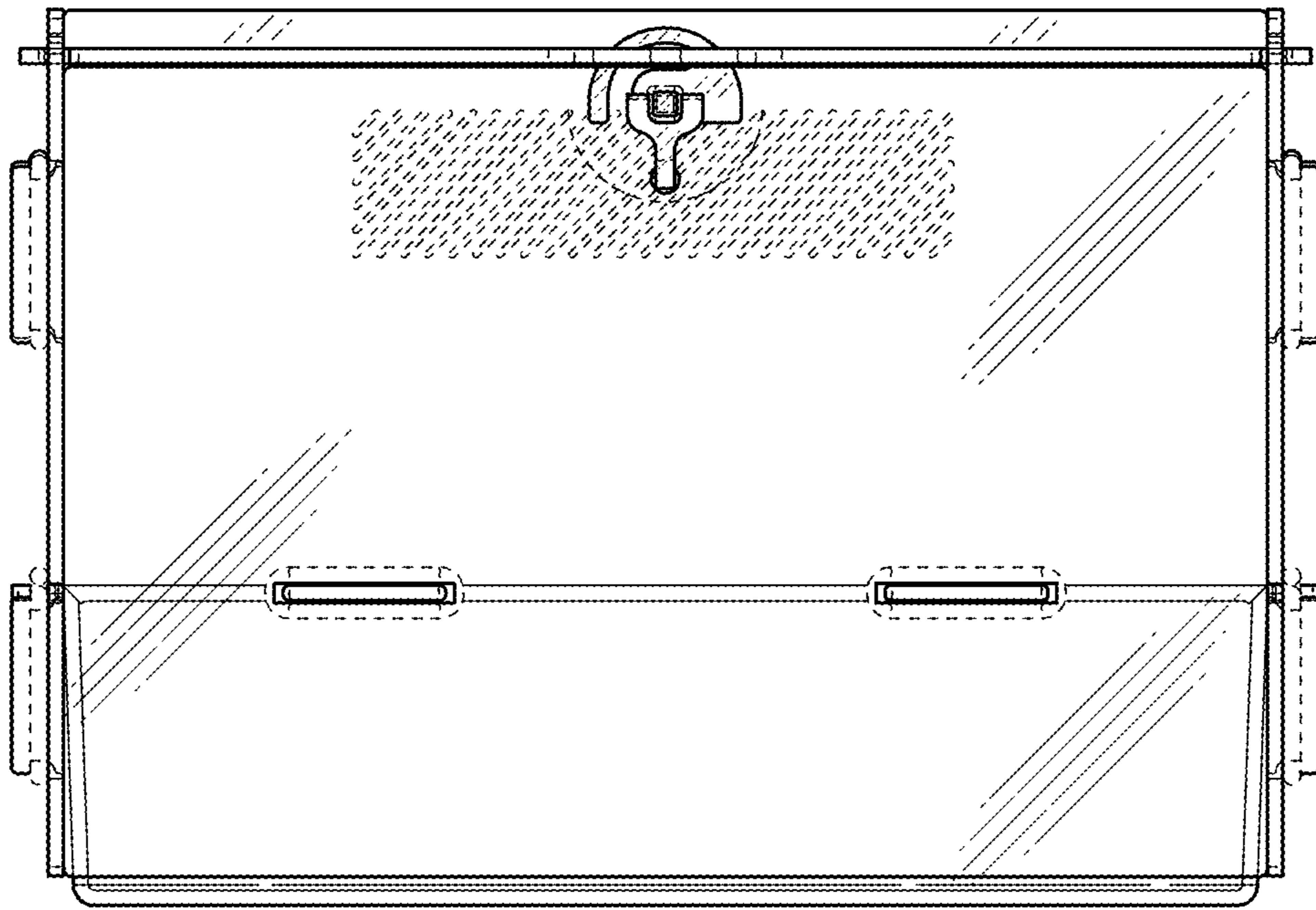


FIG. 6

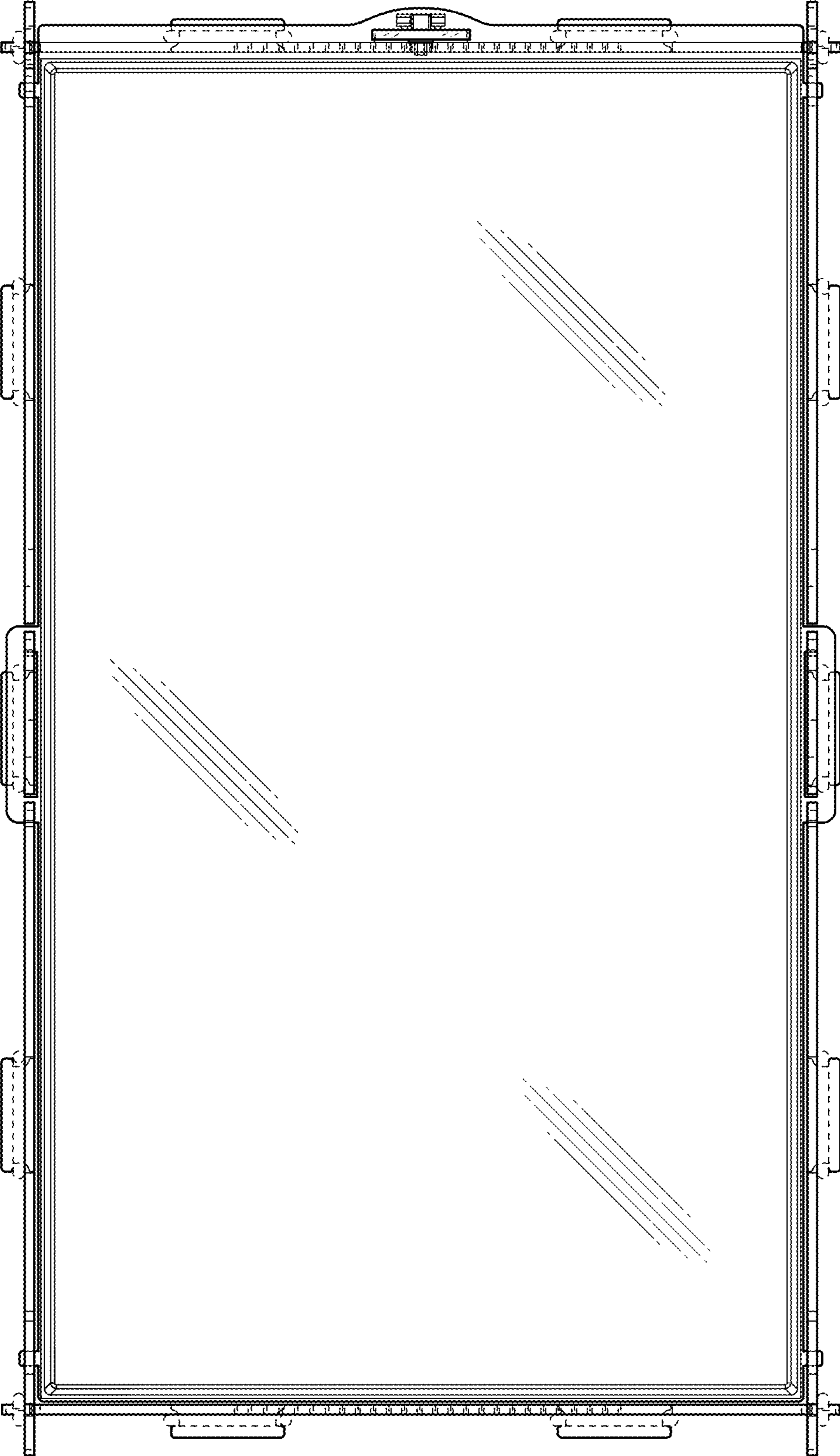


FIG. 7

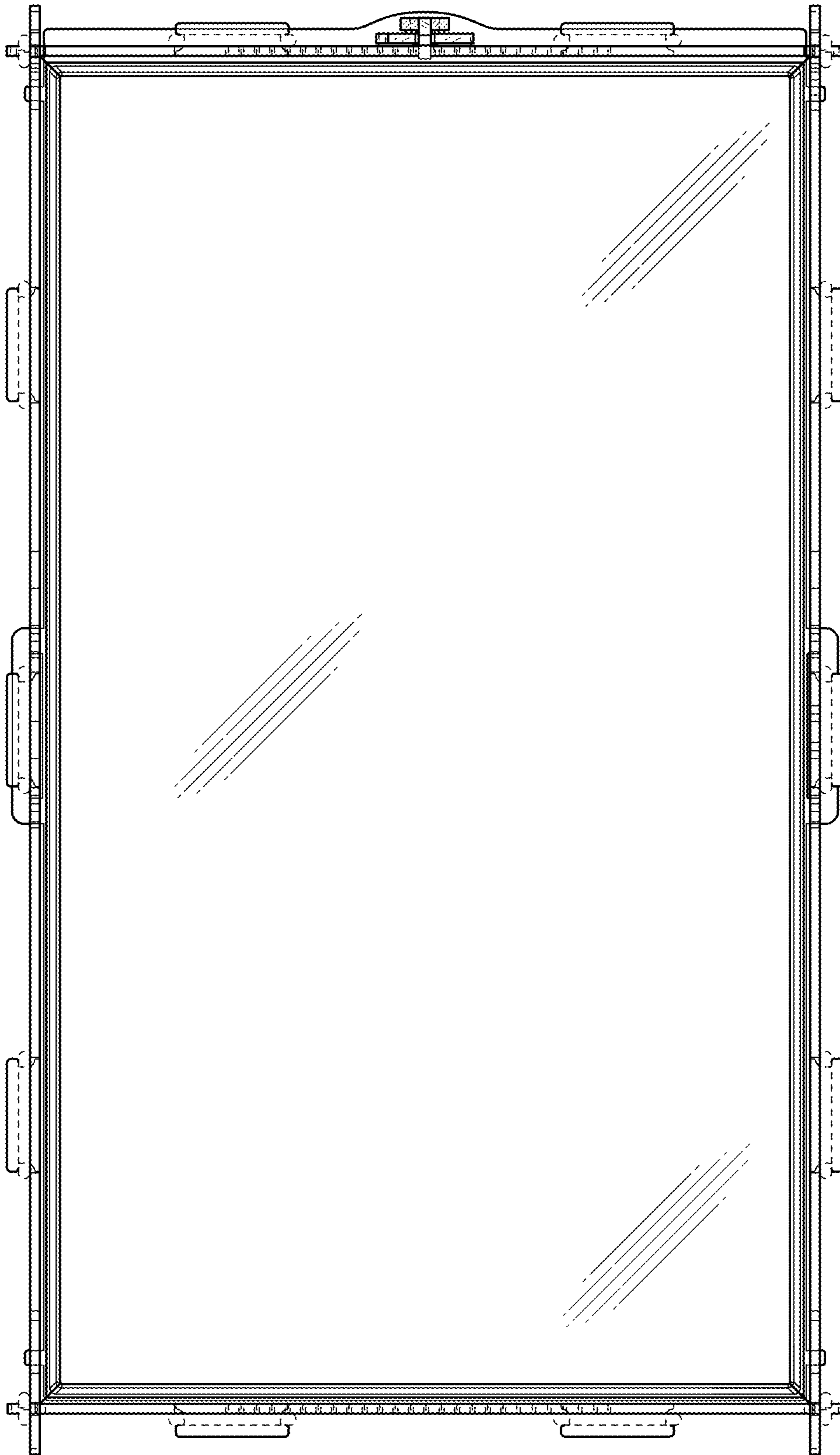


FIG. 8