



US00D957744S

(12) **United States Design Patent**  
**Wu**

(10) **Patent No.:** **US D957,744 S**

(45) **Date of Patent:** **\*\* Jul. 12, 2022**

(54) **STRENGTHEN SUCKER**

(71) Applicant: **Changli Wu**, Linyi (CN)

(72) Inventor: **Changli Wu**, Linyi (CN)

(73) Assignee: **Shandong Yarui Yuanda Technology Innovation Co., Ltd.**, Linyi (CN)

(\*\*) Term: **15 Years**

(21) Appl. No.: **29/775,504**

(22) Filed: **Mar. 24, 2021**

(30) **Foreign Application Priority Data**

Dec. 14, 2020 (CN) ..... 202030769461.1

(51) **LOC (13) Cl.** ..... **30-02**

(52) **U.S. Cl.**  
USPC ..... **D30/106**

(58) **Field of Classification Search**  
USPC ..... D30/101-107; D23/209; D15/8  
CPC ..... A01K 63/006; A01K 63/045; A01K 63/10  
See application file for complete search history.

(56) **References Cited**

**U.S. PATENT DOCUMENTS**

6,474,266 B1 \* 11/2002 Arnett ..... A01K 63/006  
119/256  
7,273,020 B2 \* 9/2007 Montoya ..... A01K 63/006  
119/51.04

D640,424 S \* 6/2011 Yen ..... D30/106  
8,632,677 B2 \* 1/2014 Sherman ..... A01K 63/10  
210/167.23

D716,507 S 10/2014 Mayer  
D880,078 S 3/2020 Liao et al.  
2007/0051320 A1 \* 3/2007 Yen ..... A01K 63/045  
119/264

\* cited by examiner

*Primary Examiner* — Wan Laymon

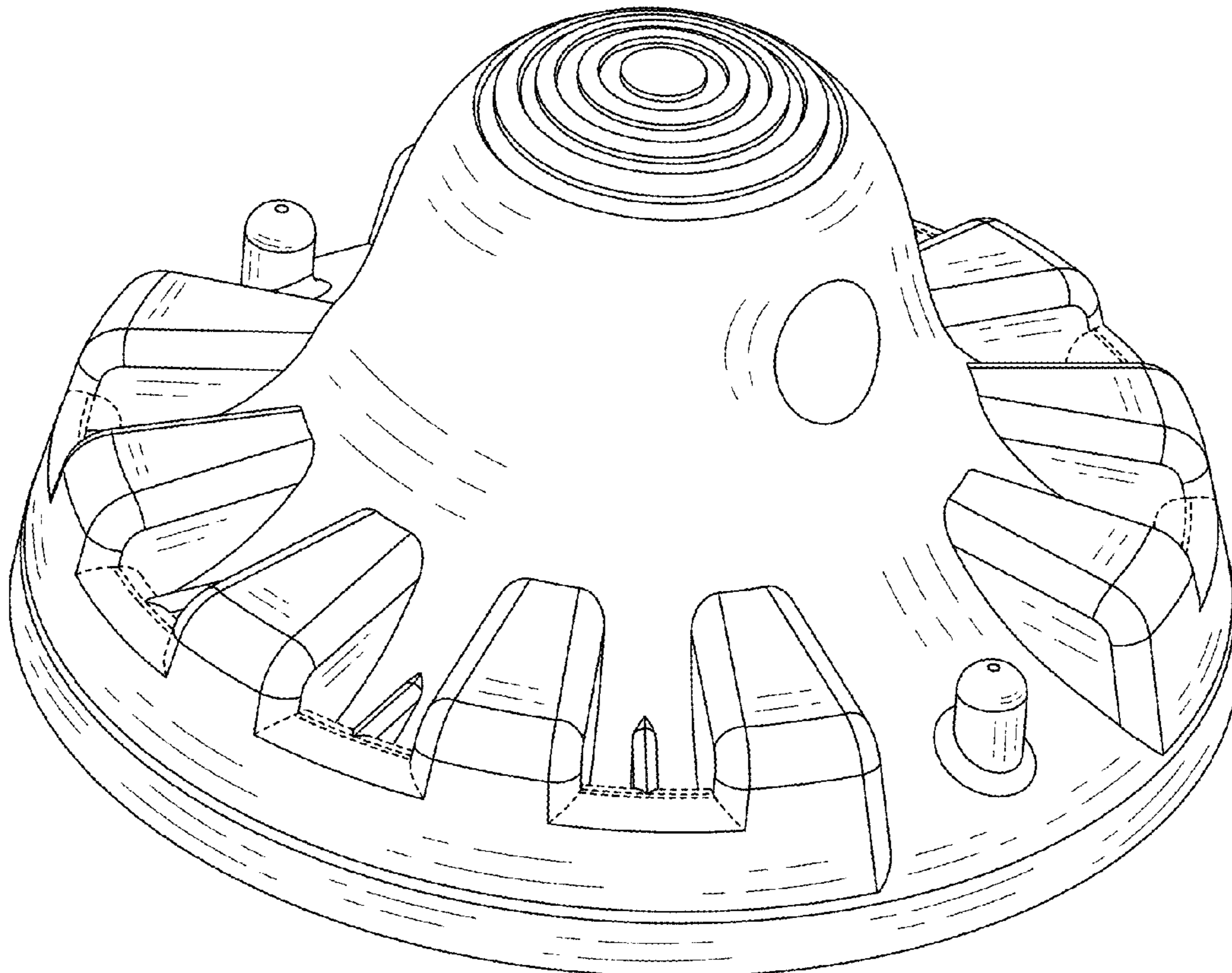
(57) **CLAIM**

The ornamental design for a strengthen sucker, as shown and described.

**DESCRIPTION**

FIG. 1 is a perspective view of a strengthen sucker showing my new design;  
FIG. 2 is a front elevational view thereof;  
FIG. 3 is a rear elevational view thereof;  
FIG. 4 is a left side elevational view thereof;  
FIG. 5 is a right side elevational view thereof;  
FIG. 6 is a top plan view thereof;  
FIG. 7 is a bottom plan view thereof; and,  
FIG. 8 is another perspective view thereof.  
The broken line shown in the drawings is included for the purpose of illustrating portions of the strengthen sucker and forms no part of the claimed design.

**1 Claim, 8 Drawing Sheets**



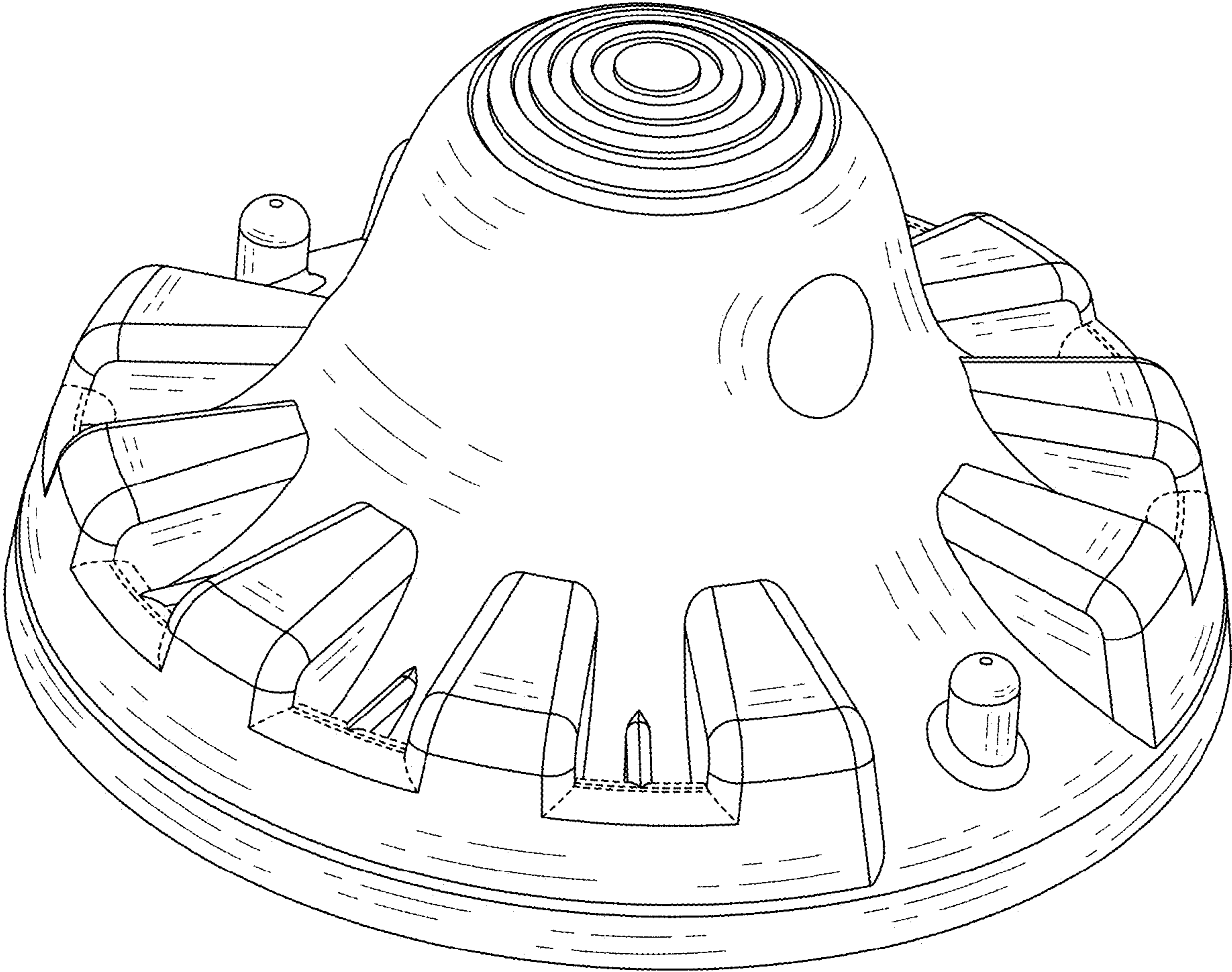


FIG.1

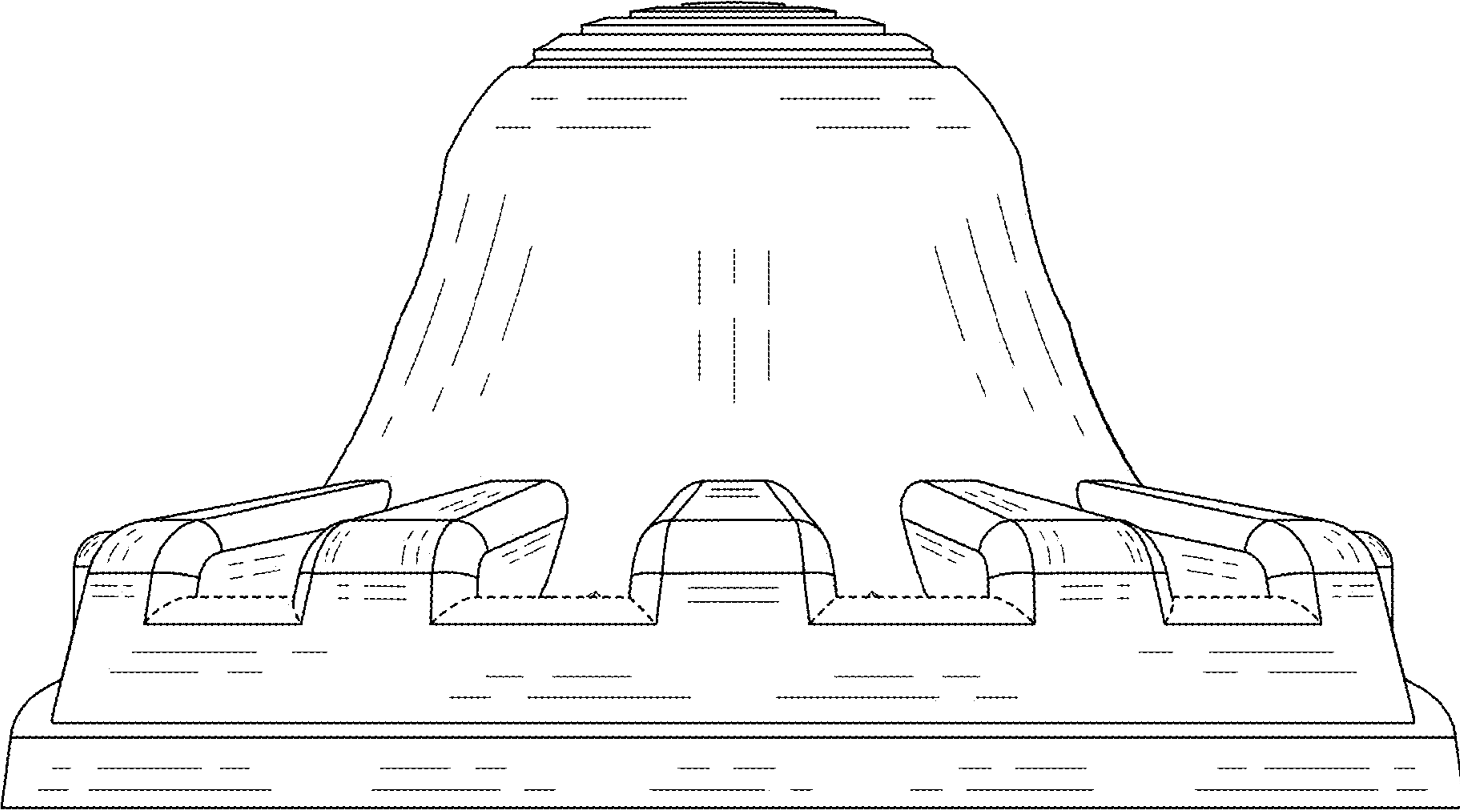


FIG.2

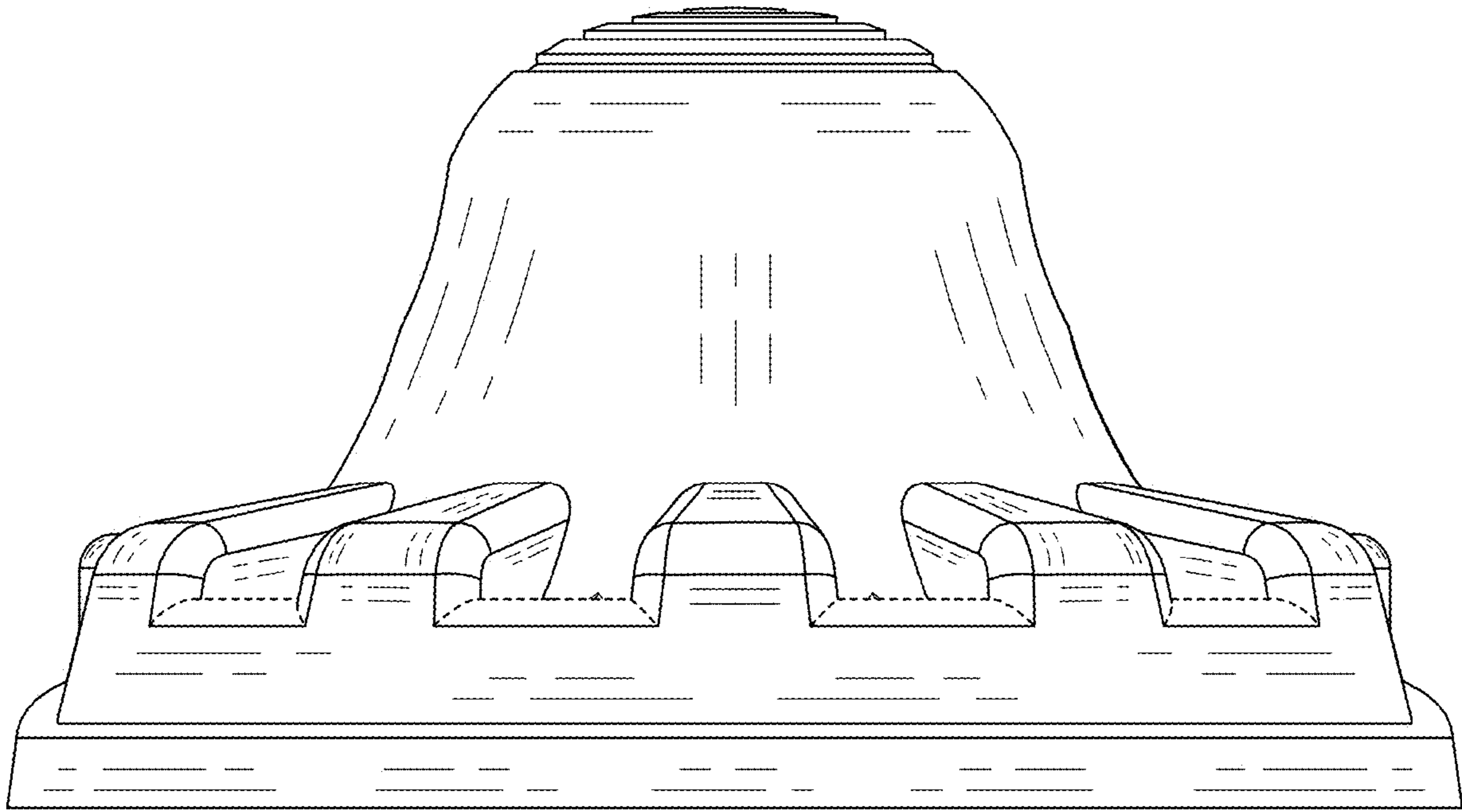


FIG.3

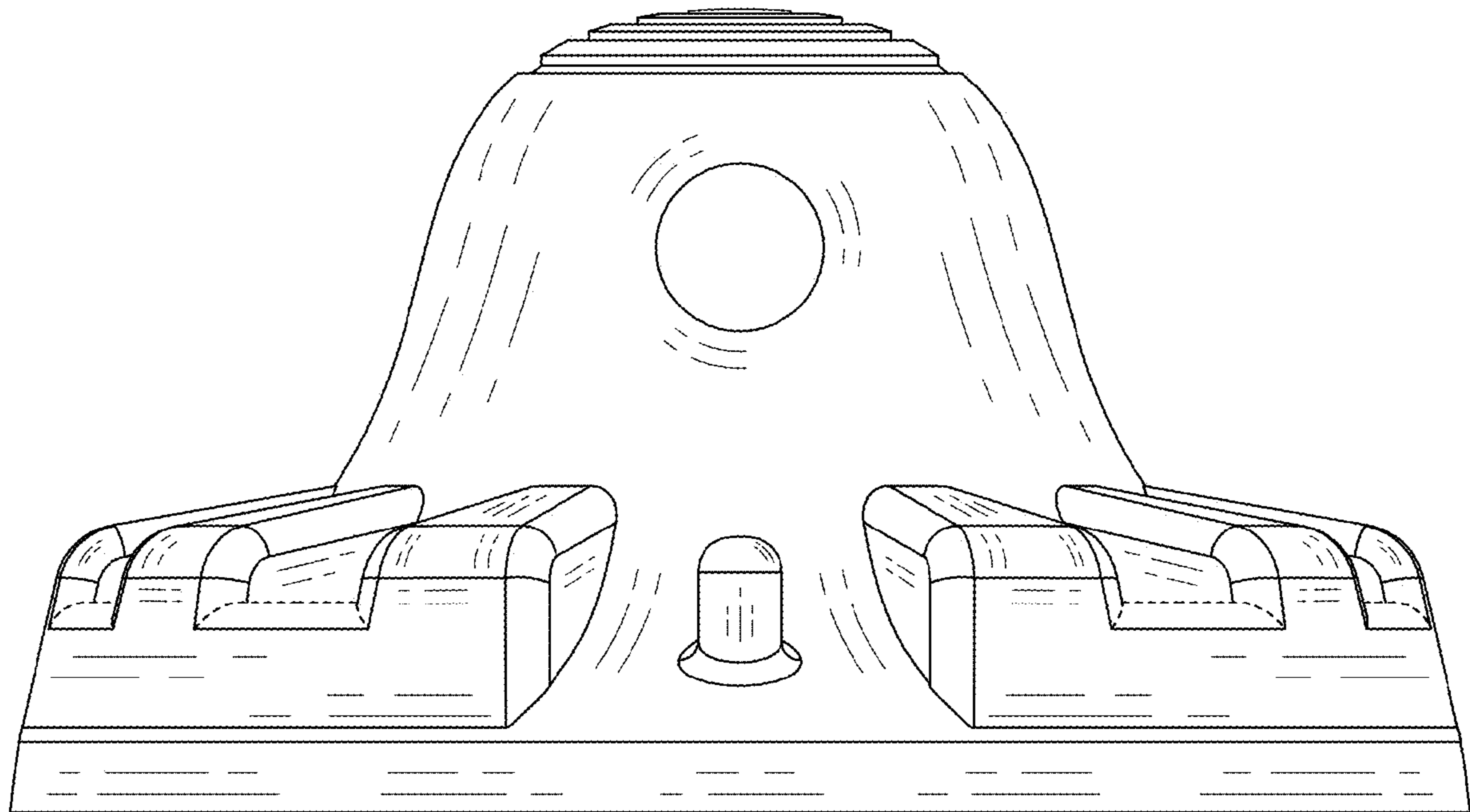


FIG.4

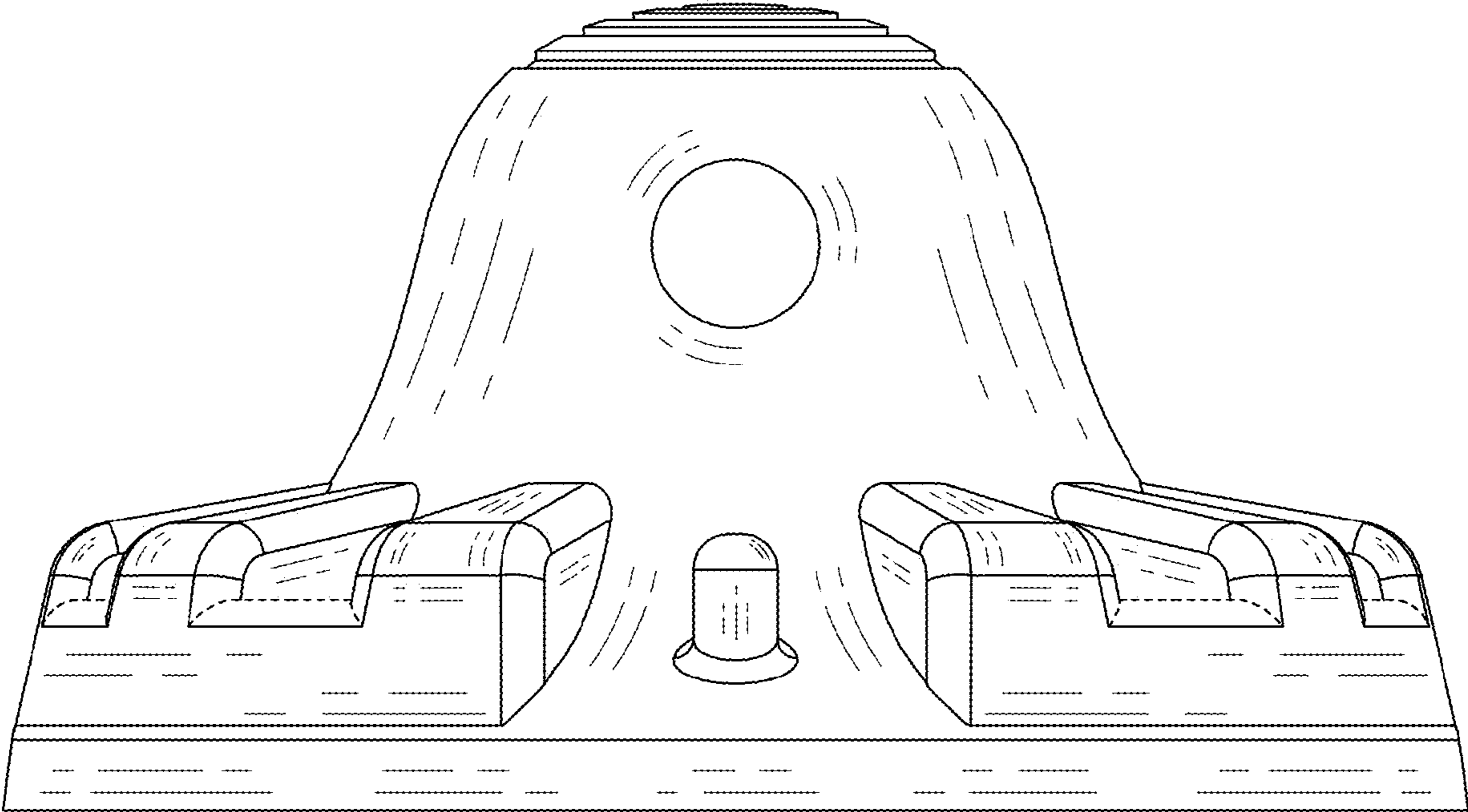


FIG.5

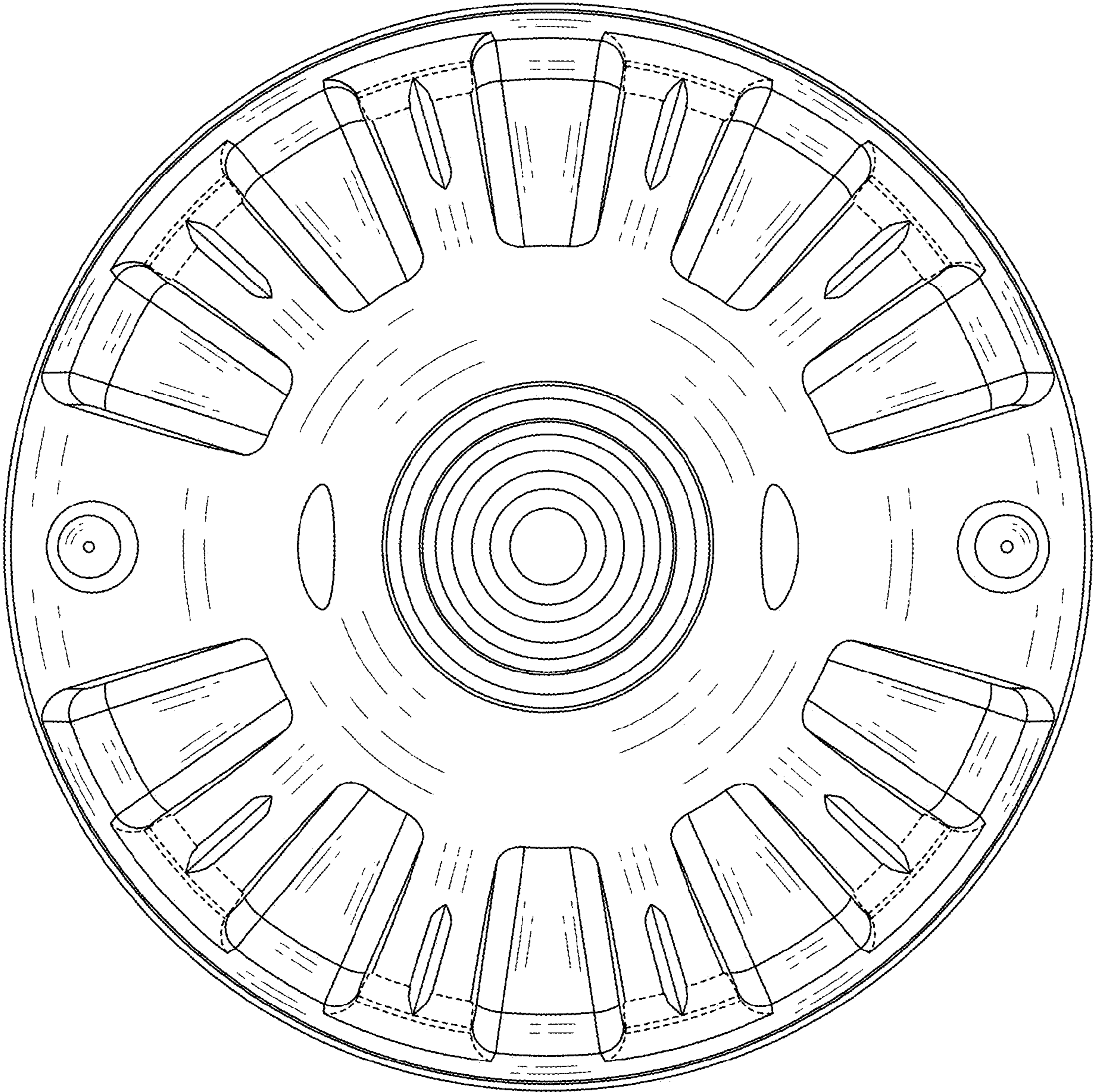


FIG.6

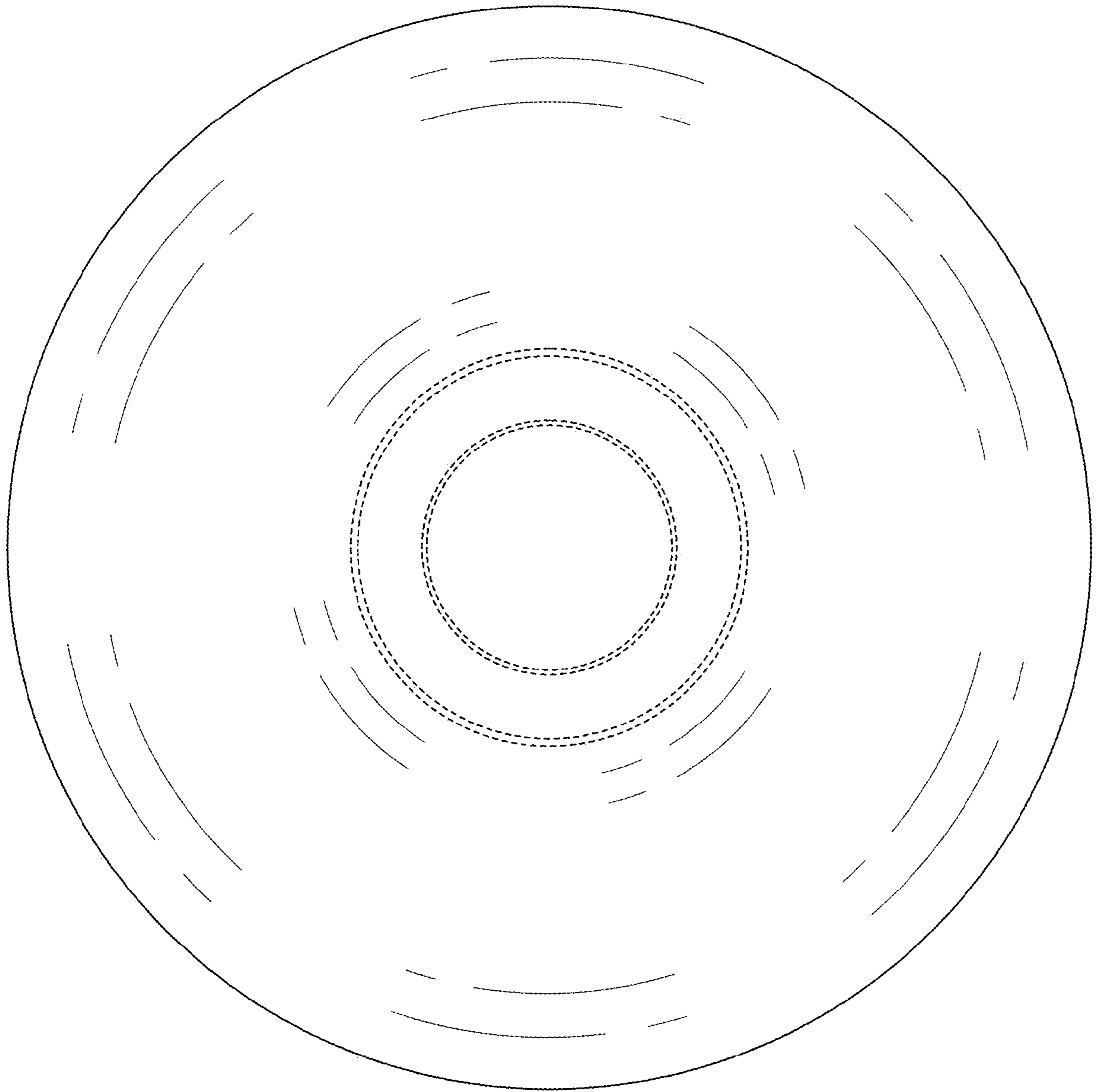


FIG.7



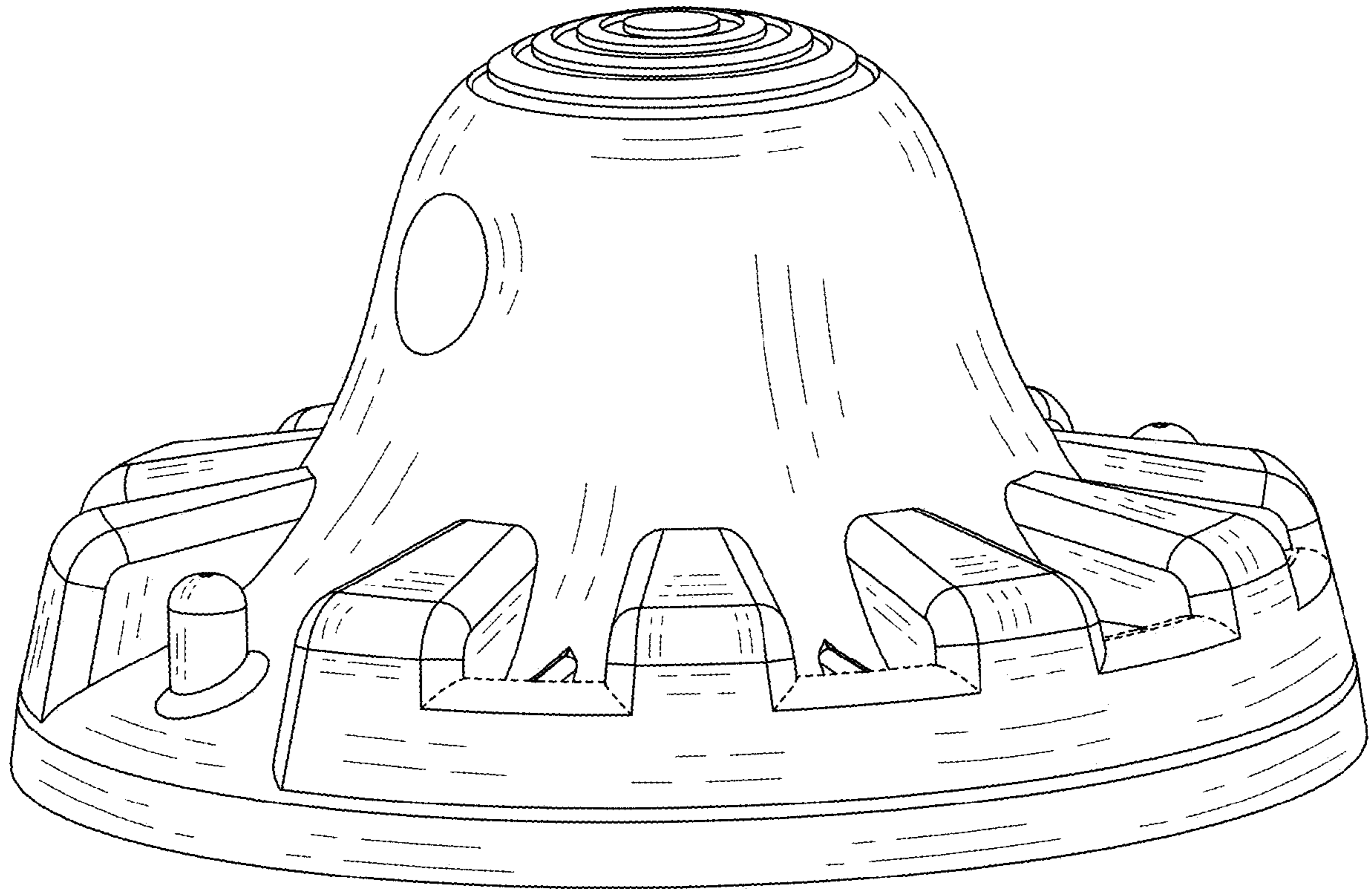


FIG.8