



US00D957741S

(12) **United States Design Patent**
Lanphear et al.

(10) **Patent No.:** **US D957,741 S**
(45) **Date of Patent:** **** Jul. 12, 2022**

(54) **SUPPLEMENTAL HELMET PROTECTION ATTACHMENT**

(71) Applicant: **VICIS IP, LLC**, New York, NY (US)

(72) Inventors: **Noah Lanphear**, Seattle, WA (US);
Kurt Fischer, Seattle, WA (US);
Miguel Herrera, Seattle, WA (US)

(73) Assignee: **Vicis IP, LLC**, New York, NY (US)

(**) Term: **15 Years**

(21) Appl. No.: **29/705,077**

(22) Filed: **Sep. 9, 2019**

(51) **LOC (13) Cl.** **02-03**

(52) **U.S. Cl.**
USPC **D29/122**

(58) **Field of Classification Search**
USPC D2/600, 602, 609, 865, 866, 867, 868,
D2/869, 870, 871, 872, 873, 874, 875,
D2/877, 878, 879, 881, 882, 886, 887,
D2/891, 892, 893, 895; D15/144, 144.1,
D15/144.2; D21/698, 780, 788;
D24/188, 190, 191; D29/100, 101.3,
D29/101.5, 102, 103, 104, 106, 107, 108,
D29/109, 110, 113, 115, 120.1, 122;
D6/601
CPC A41D 13/00; A41D 13/0512; A41D
13/0015; A41D 13/015; A41D 13/046;
A41D 13/0518; A41D 13/055; A41D
13/0556; A41D 13/0568; A41D 13/08;
A41D 13/081; A41D 13/084; A41D
13/088;

(Continued)

(56) **References Cited**

U.S. PATENT DOCUMENTS

D592,808 S * 5/2009 Murphy D29/102
D598,609 S * 8/2009 Durocher D29/102

(Continued)

OTHER PUBLICATIONS

Youtube, "Fox Rampage Pro Carbon", first available Mar. 28, 2019.
(https://www.youtube.com/watch?v=wFBY-PFM4_k&feature=emb_logo) (Year: 2019).*

(Continued)

Primary Examiner — Lauren D McVey

Assistant Examiner — Justin A Johnson

(74) *Attorney, Agent, or Firm* — Fish & Richardson P.C.

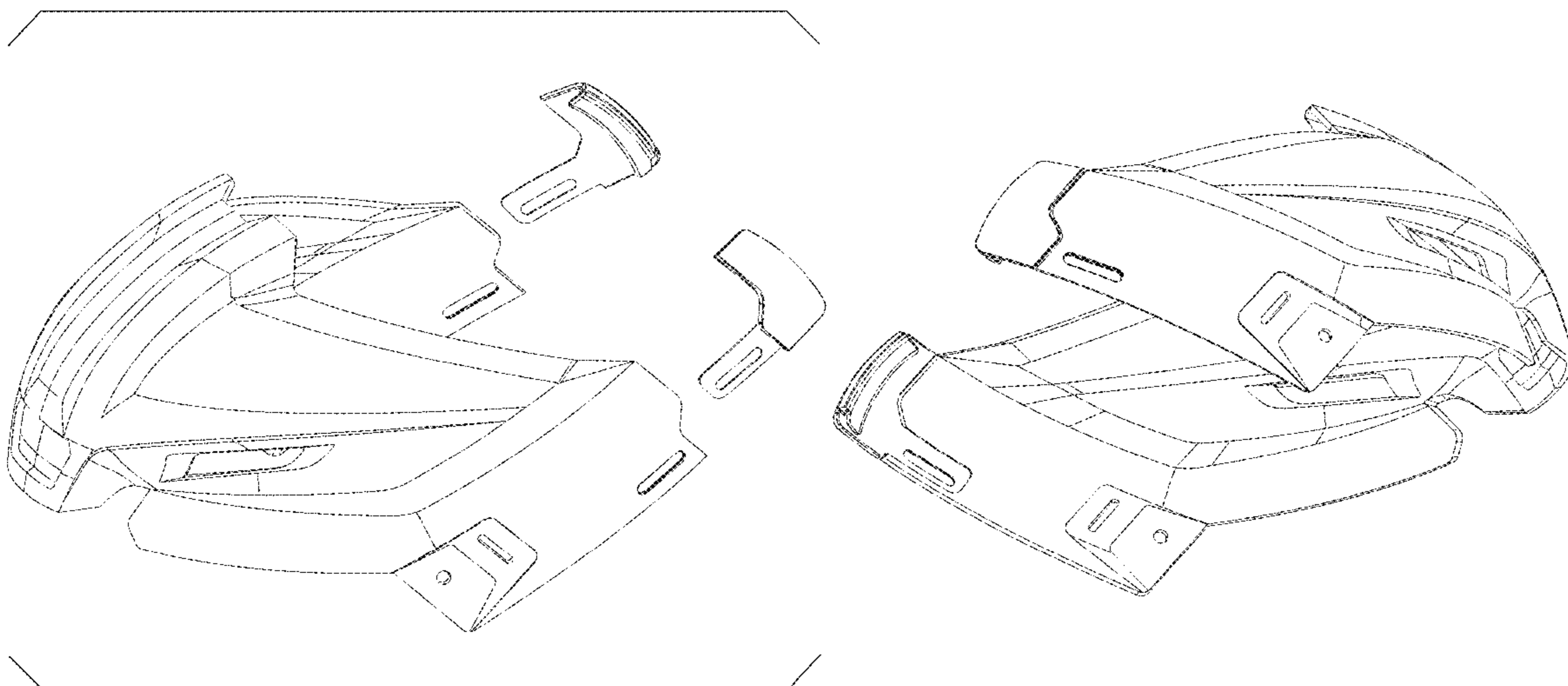
(57) **CLAIM**

The ornamental design for a supplemental helmet protection attachment, as shown and described.

DESCRIPTION

FIG. 1 is an exploded front-perspective view of Embodiment 1 of a supplemental helmet protection attachment; FIG. 2 is a front-perspective view thereof; FIG. 3 is a rear-perspective view thereof; FIG. 4 is a front view thereof; FIG. 5 is a rear view thereof; FIG. 6 is a top view thereof; FIG. 7 is a bottom view thereof; FIG. 8 is a right-side view thereof, the left-side view (not shown) being a mirror image; FIG. 9 is a right-side view thereof within its environment; FIG. 10 is a front-perspective view of Embodiment 2 of a supplemental helmet protection attachment; FIG. 11 is a rear-perspective view thereof; FIG. 12 is a front view thereof; FIG. 13 is a rear view thereof; FIG. 14 is a bottom view thereof; FIG. 15 is a top view thereof; and, FIG. 16 is a right-side view thereof, the left-side view (not shown) being a mirror image. The environmental structure shown in broken lines forms no part of the claimed design.

1 Claim, 16 Drawing Sheets



(58) **Field of Classification Search**

CPC A41D 2600/202; A41D 27/12; A41D 27/136; A42B 1/24; A42B 1/247; A42B 1/08; A42B 1/10; A42B 3/00; A42B 3/04; A42B 3/0473; A42B 3/06; A42B 3/062; A42B 3/063; A42B 3/064; A42B 3/065; A42B 3/066; A42B 3/10; A42B 3/105; A42B 3/12; A42B 3/121; A42B 3/122; A42B 3/124; A42B 3/125; A42B 3/127; A42B 3/128; A42B 3/16; A42B 3/18; A42B 3/185; A42B 3/22; A42B 3/221; A42B 3/225; A42B 3/0406; A47G 9/1081; A61B 2018/00619; A61F 9/06; A61F 9/065; A61H 1/0296; A61H 2201/1609; A61H 2205/04; A63B 2071/0063; A63B 21/4003; A63B 23/025; A63B 71/1291; Y10S 2/91

See application file for complete search history.

(56) **References Cited**

U.S. PATENT DOCUMENTS

D628,347 S * 11/2010 Chen D29/106
 D670,447 S * 11/2012 Emrich D29/106

D672,920 S * 12/2012 Durocher D29/102
 D677,006 S * 2/2013 Pfanner D29/102
 8,418,270 B2 * 4/2013 Desjardins A42B 3/00
 2/420
 D778,504 S * 2/2017 Collette D29/106
 D804,729 S * 12/2017 Bouchard-Fortin D29/104
 D836,253 S * 12/2018 Erb A42B 3/06
 D29/106
 D860,547 S * 9/2019 Daoust D29/122
 2018/0343953 A1 * 12/2018 Erb A42B 3/064
 2021/0000209 A1 * 1/2021 Neubauer A42B 3/063

OTHER PUBLICATIONS

Asphalt & Rubber, "Gear Review: Shoei NEOTEC II Modular Helmet", first available Apr. 2, 2018. (<https://www.asphaltandrubber.com/reviews/shoei-neotec-ii-modular-helmet-review/>) (Year: 2018).*
 Grainger, "Partial Crown, Headgear, Pinlock Faceshield Assembly", first accessed Feb. 4, 2021 (Year: 2021).*
 Team Motorcycle, "Icon Variant Double Stack Helmet Visor", first accessed Feb. 4, 2021 (<https://www.teammotorcycle.com/icon-variant-double-stack-helmet-visor>) (Year: 2021).*

* cited by examiner

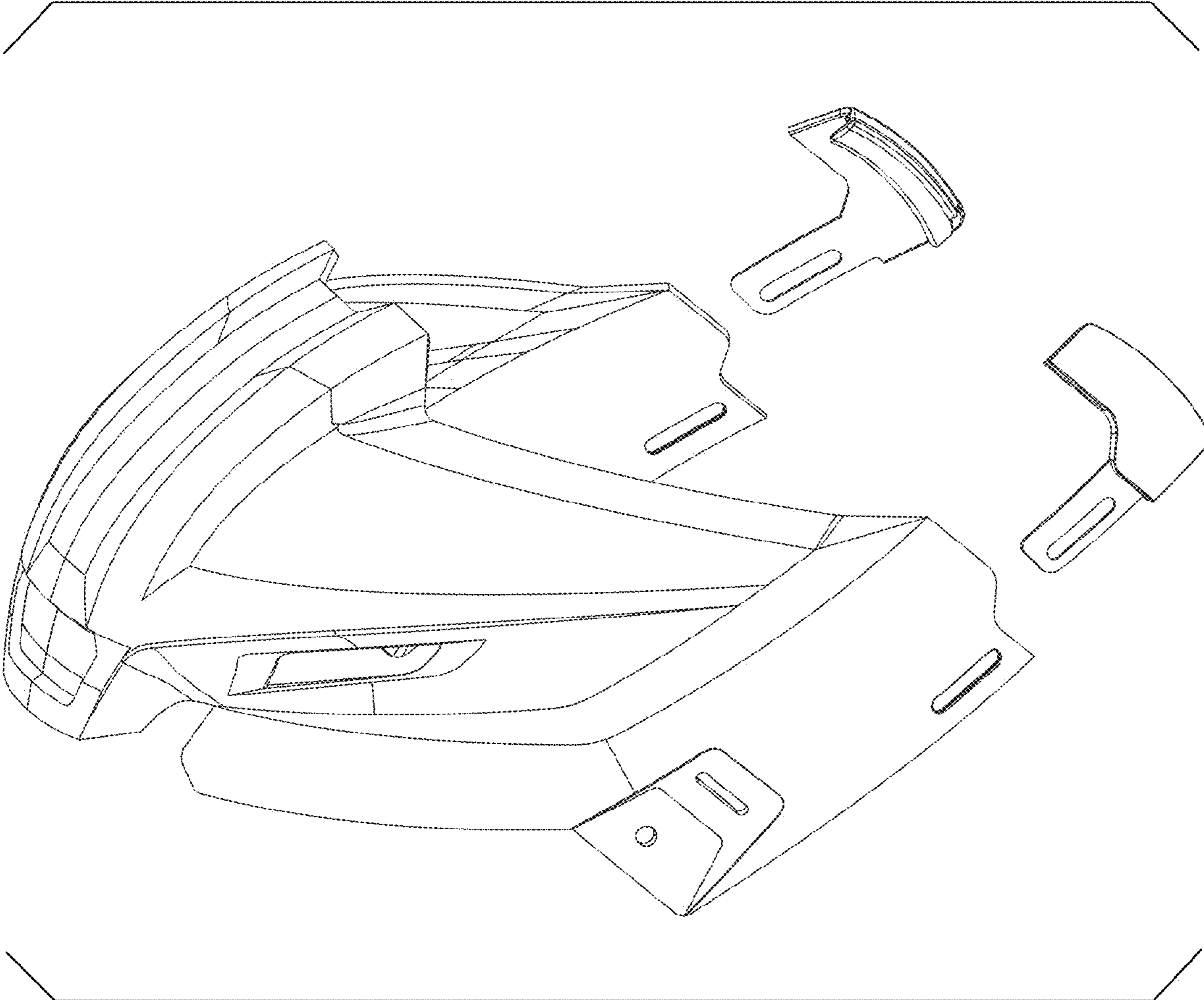


FIG. 1

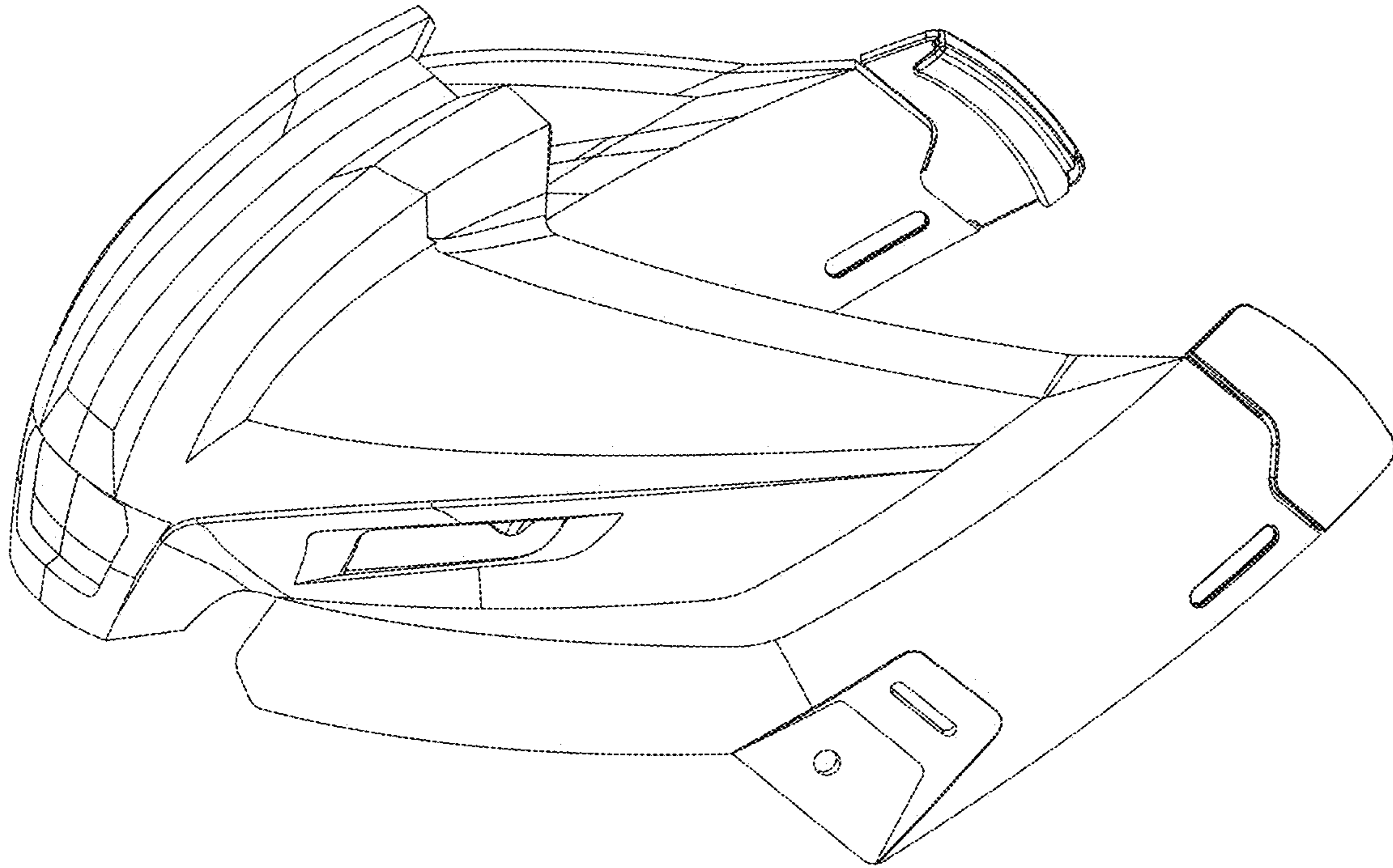


FIG. 2

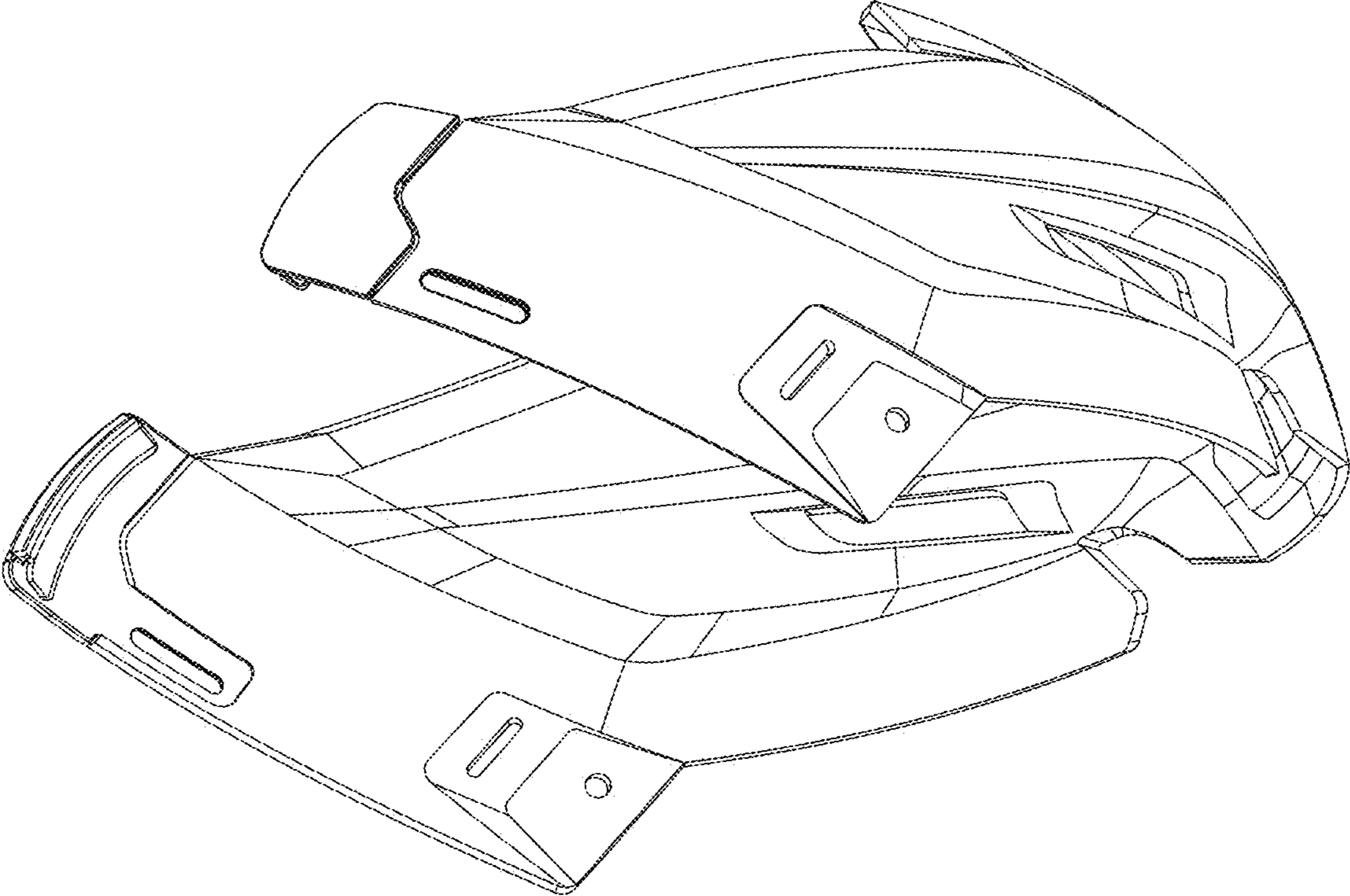


FIG. 3

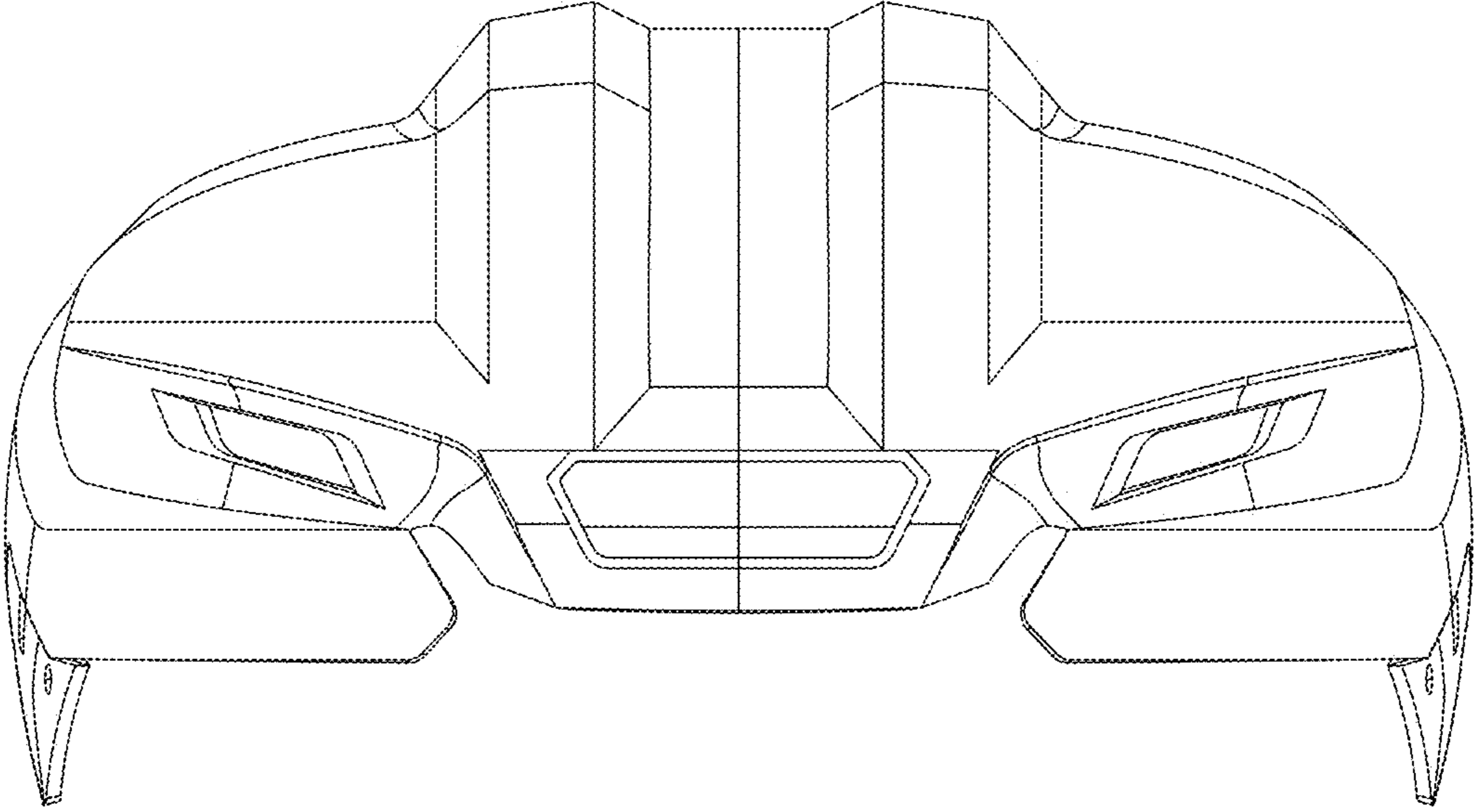


FIG. 4

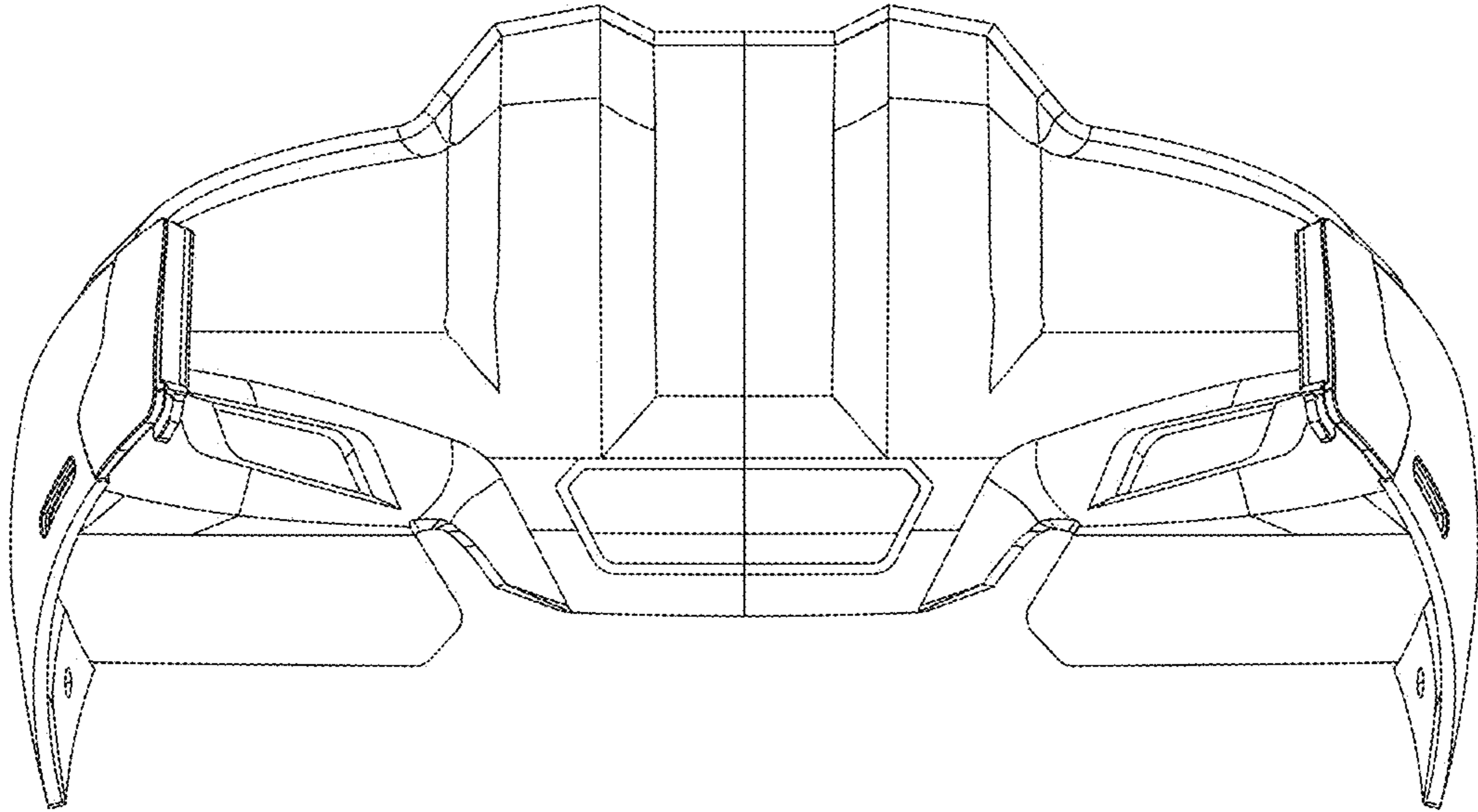


FIG. 5

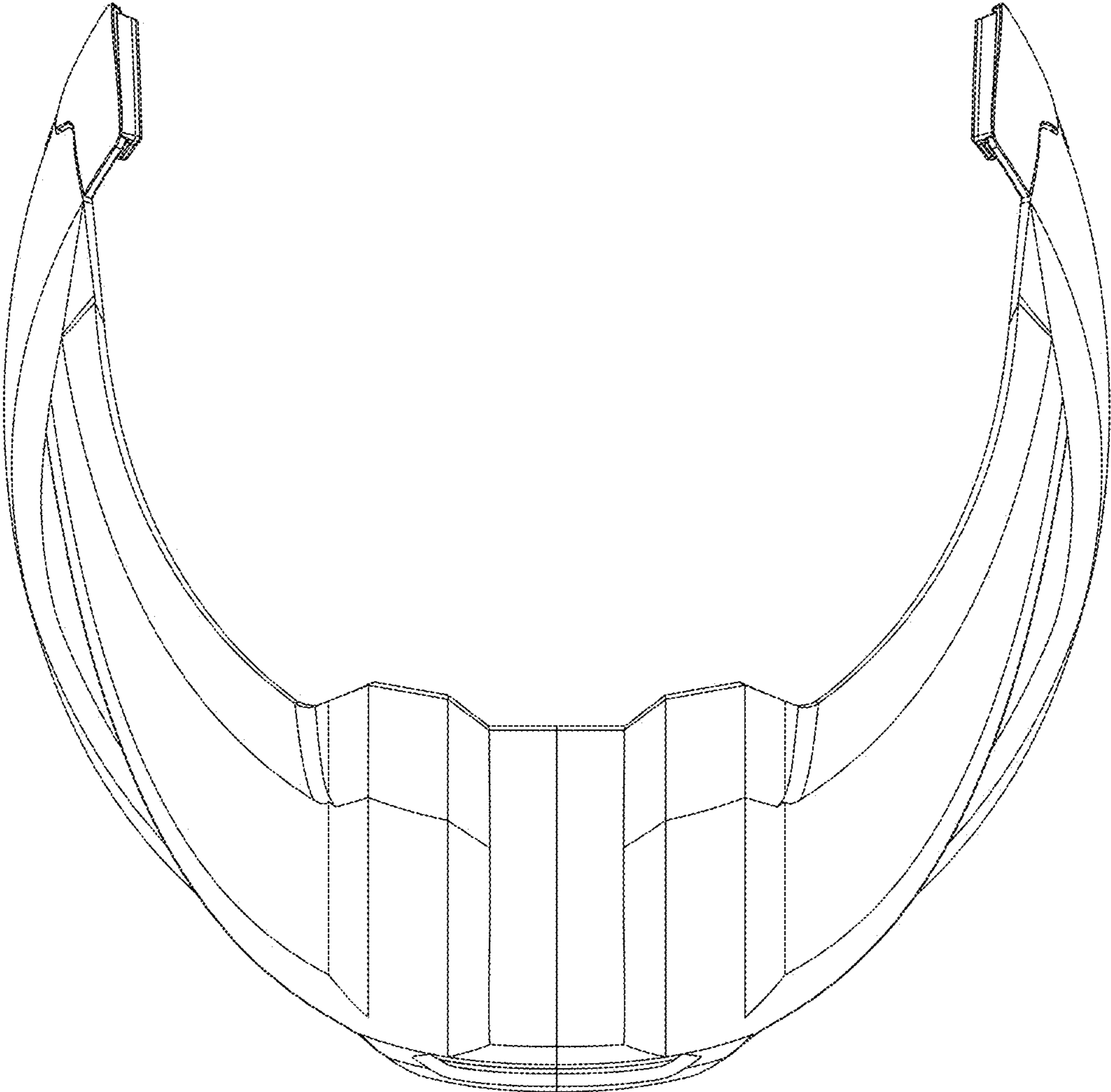


FIG. 6

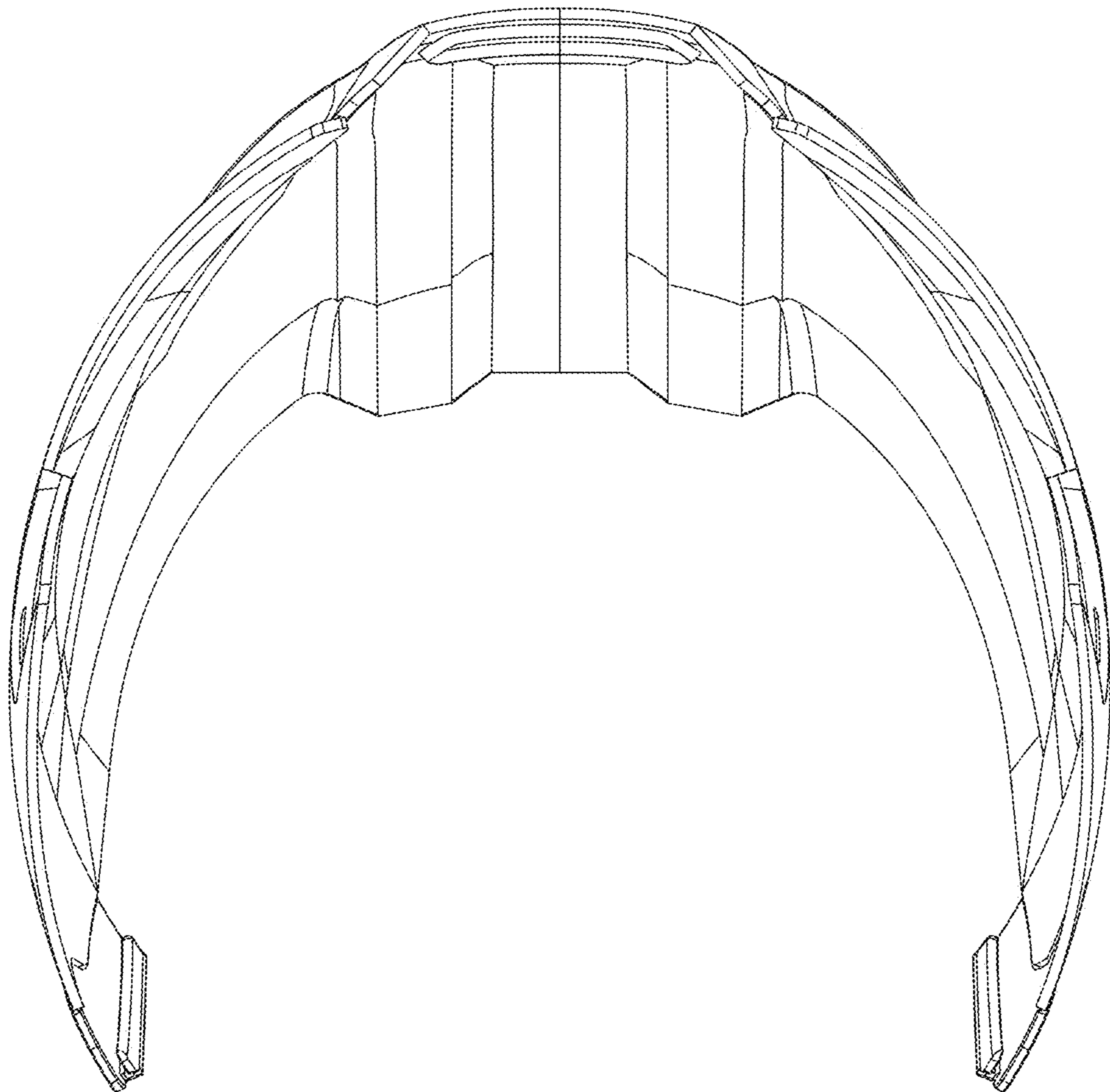


FIG. 7

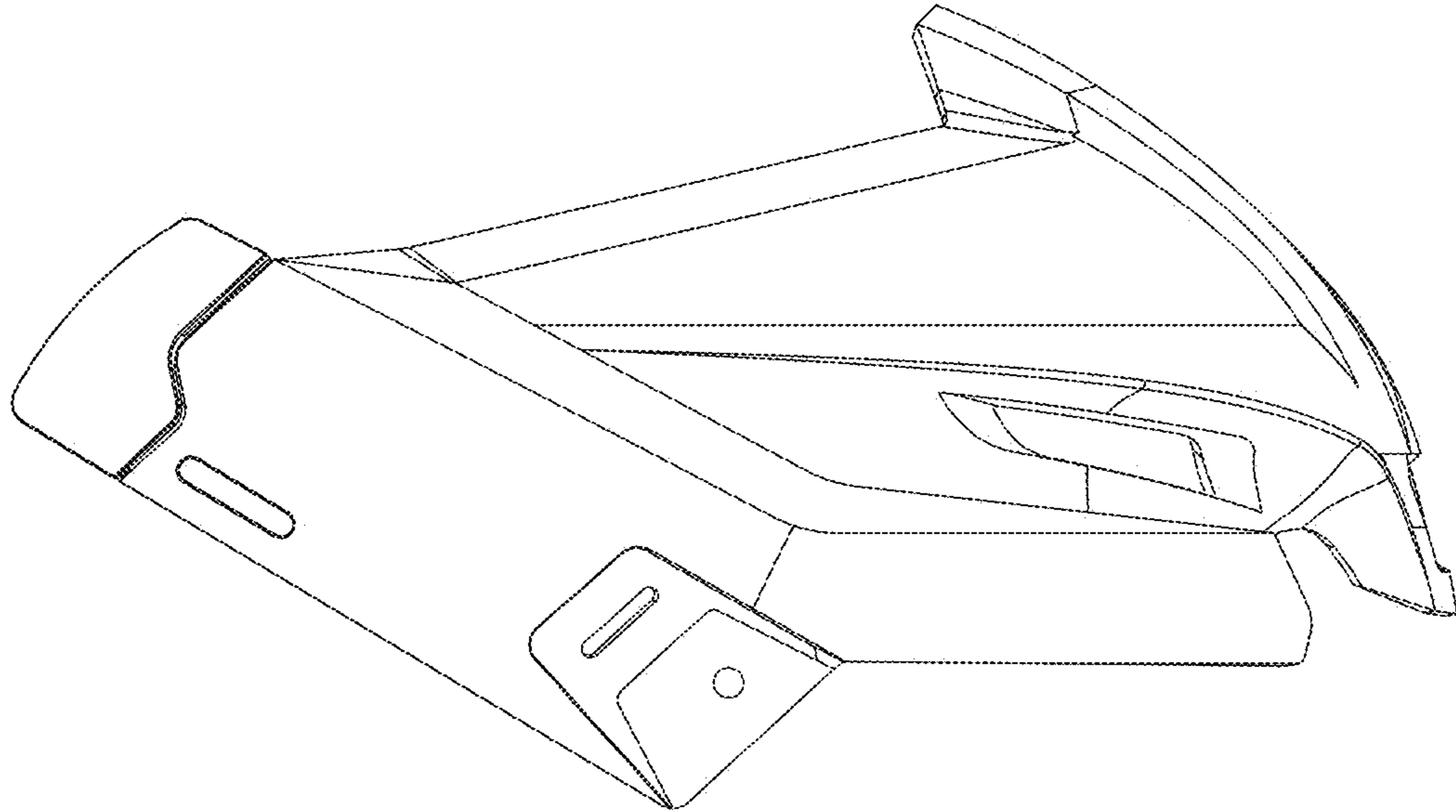


FIG. 8

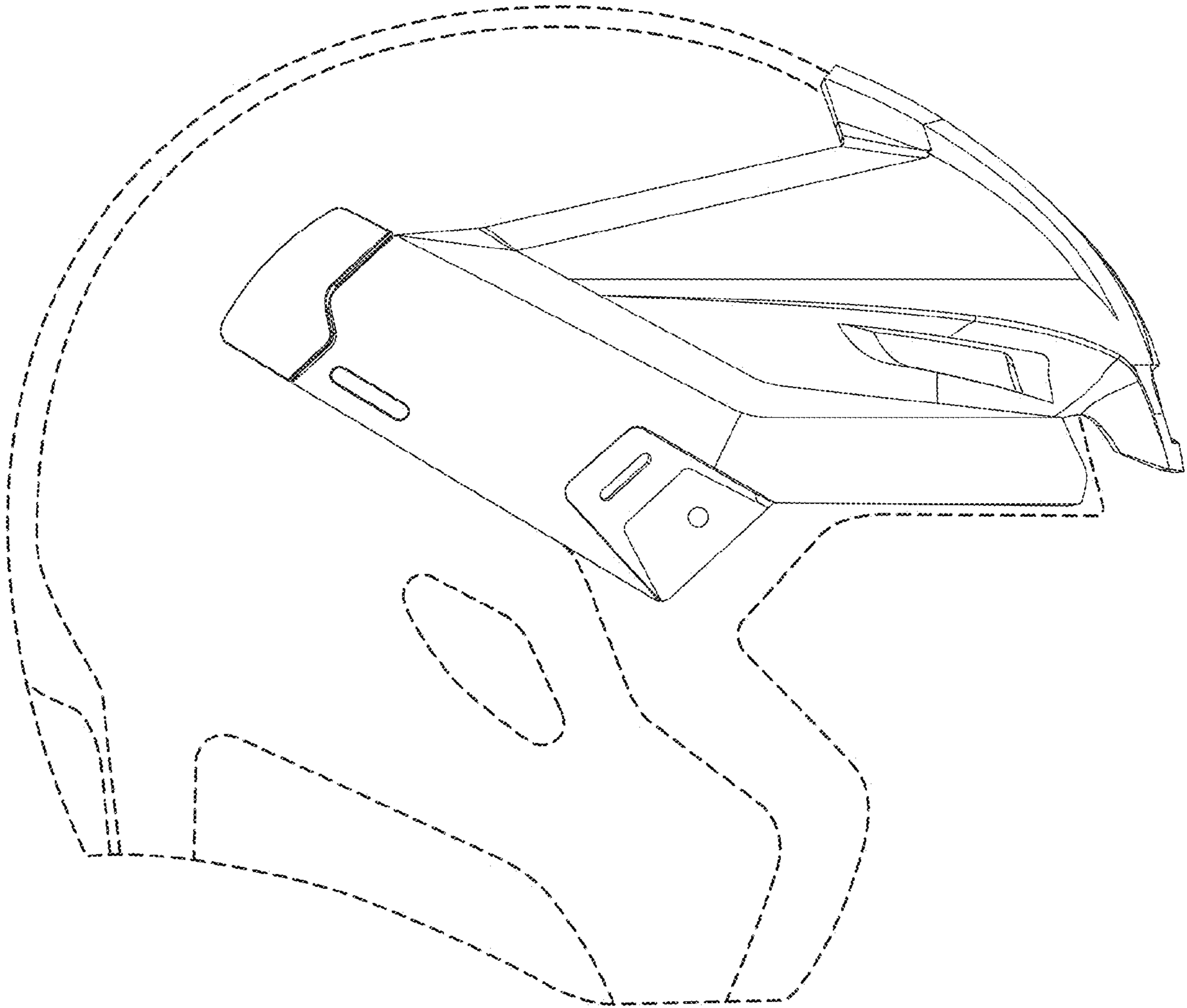


FIG. 9

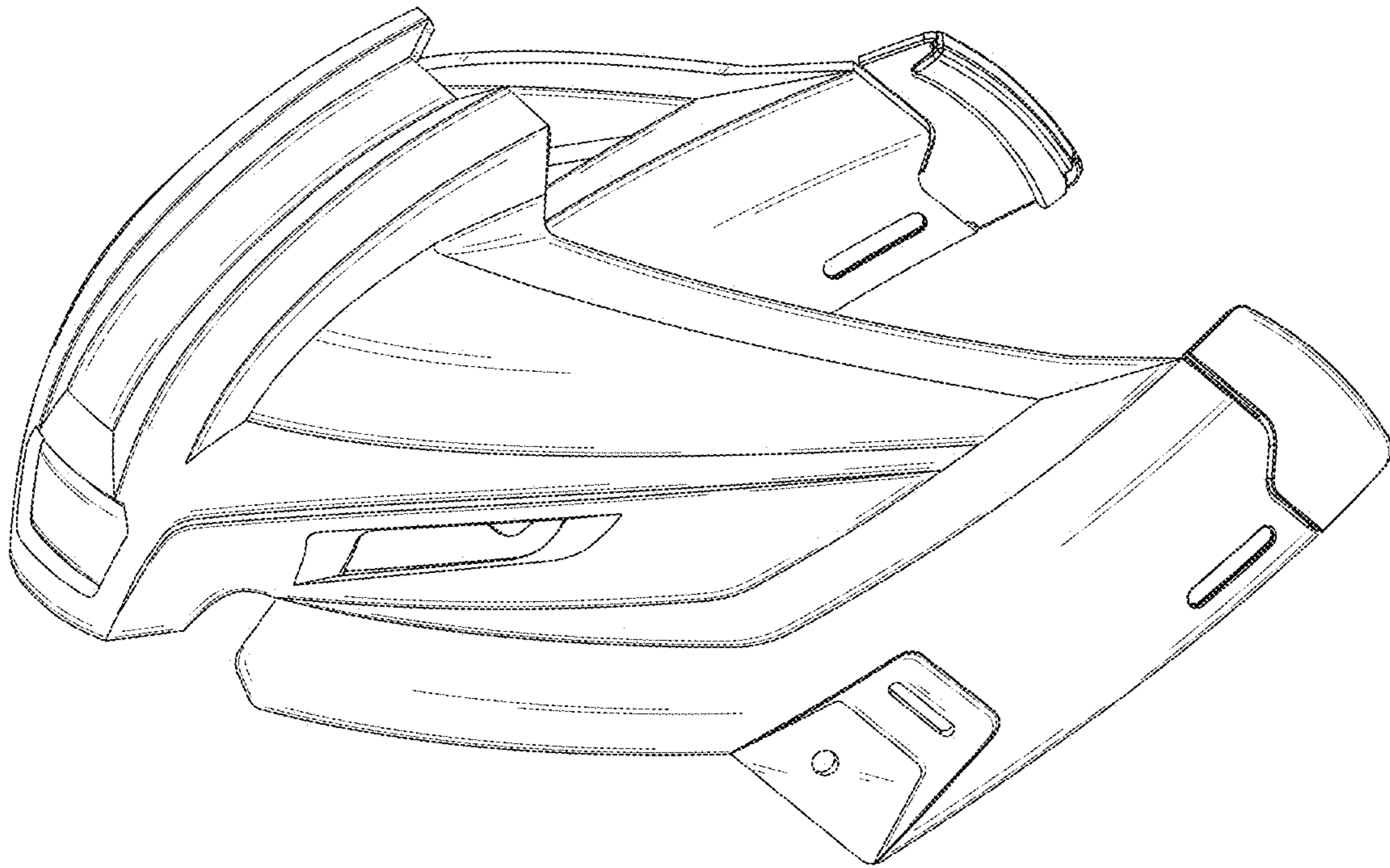


FIG. 10

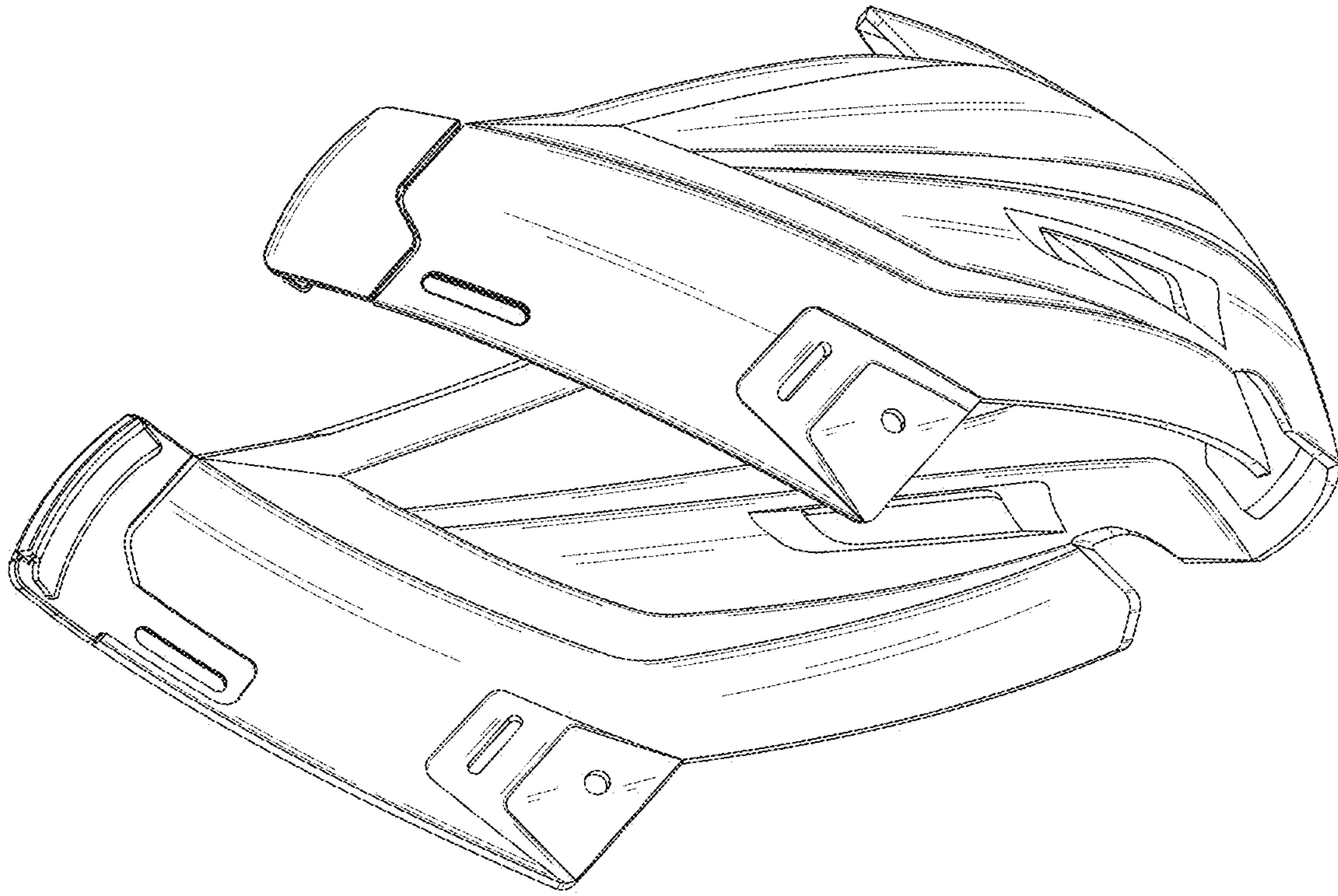


FIG. 11

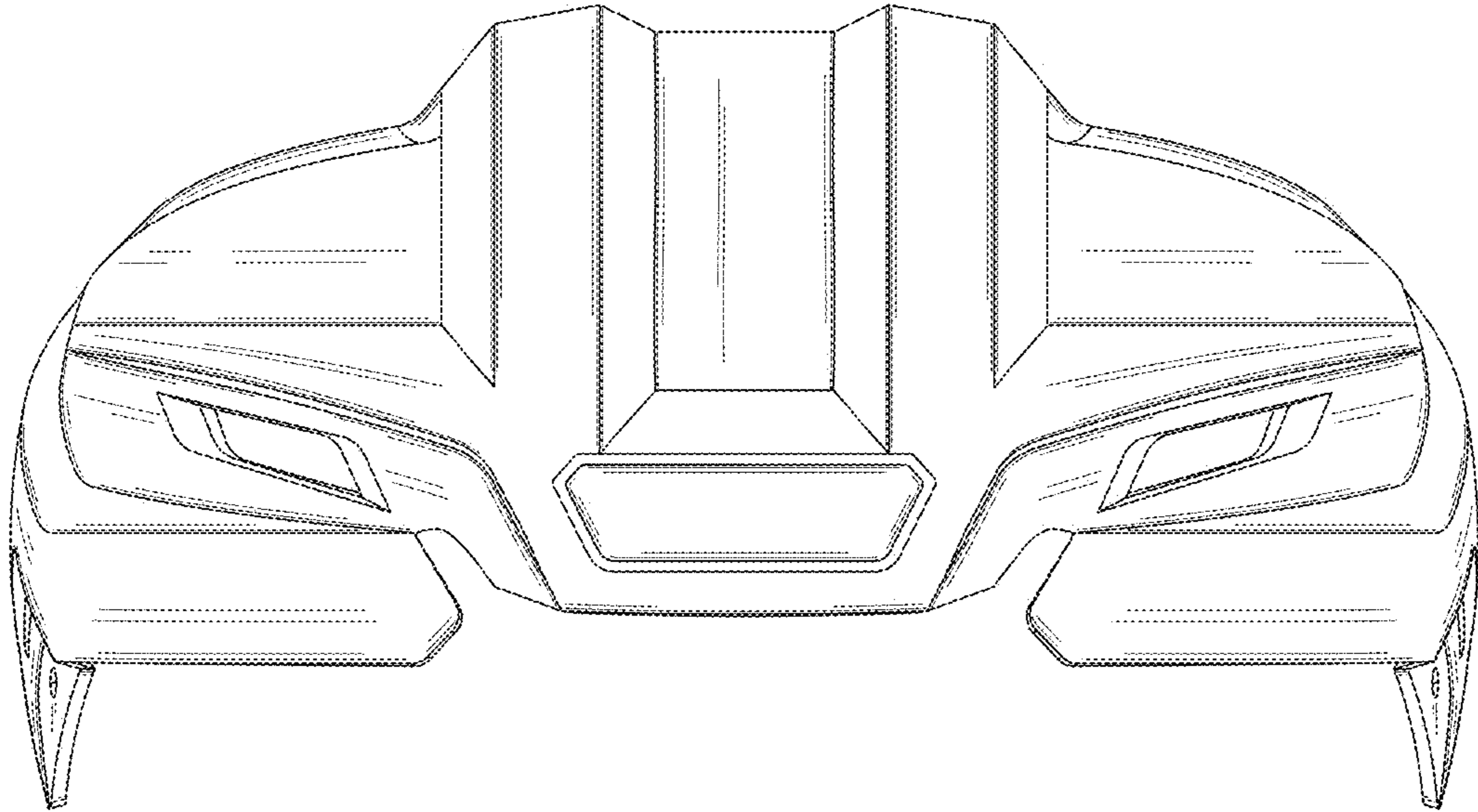


FIG. 12

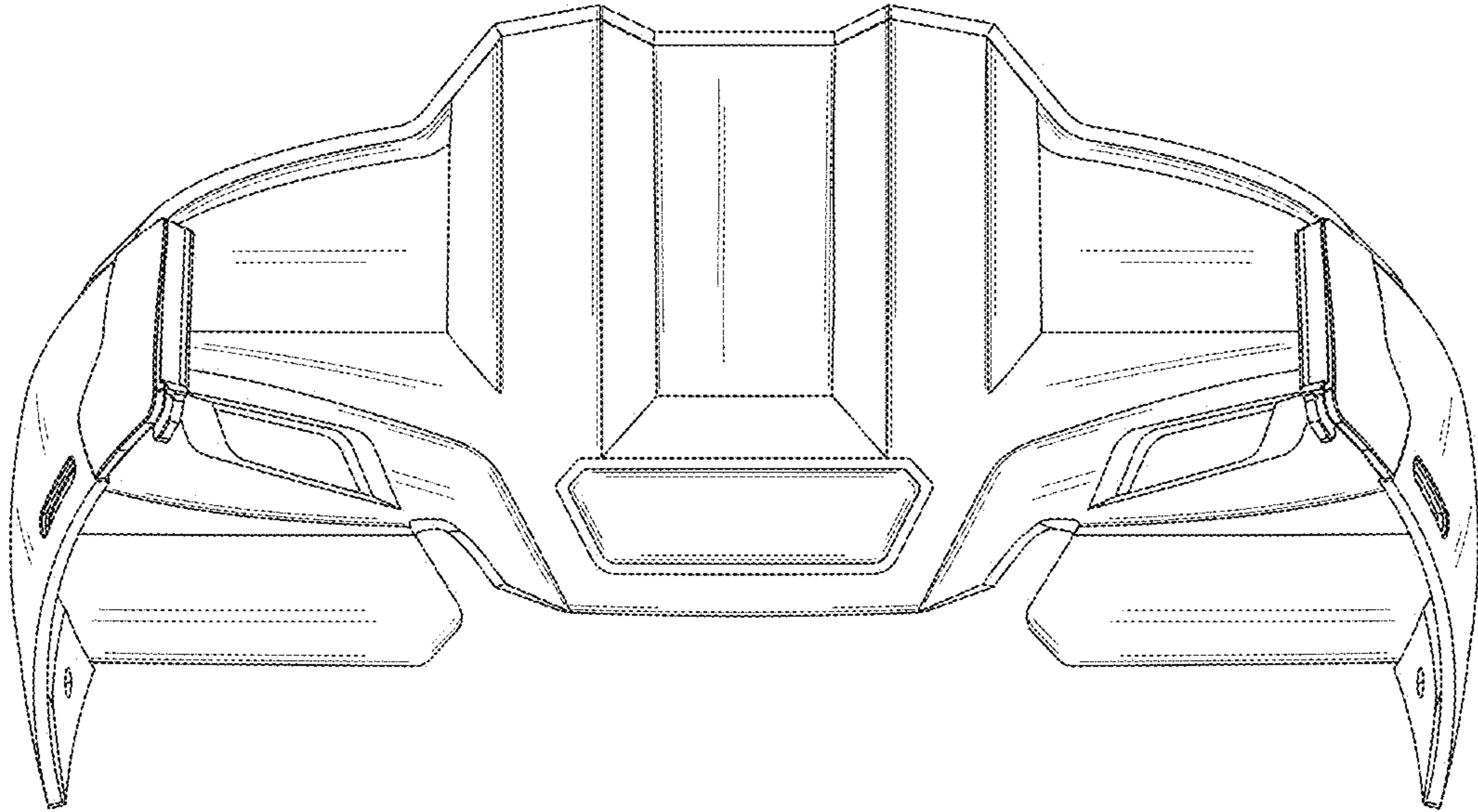


FIG. 13

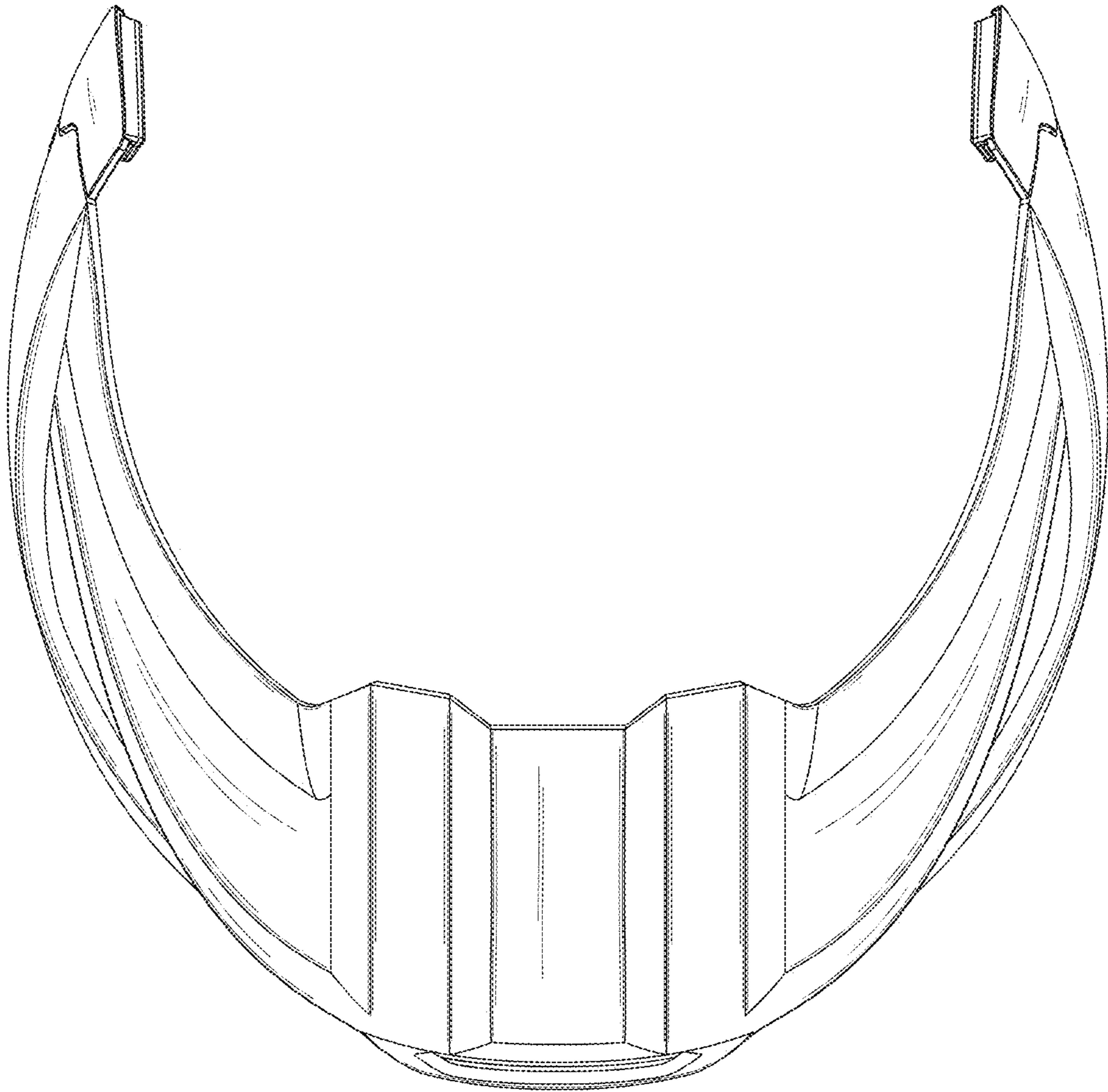


FIG. 14

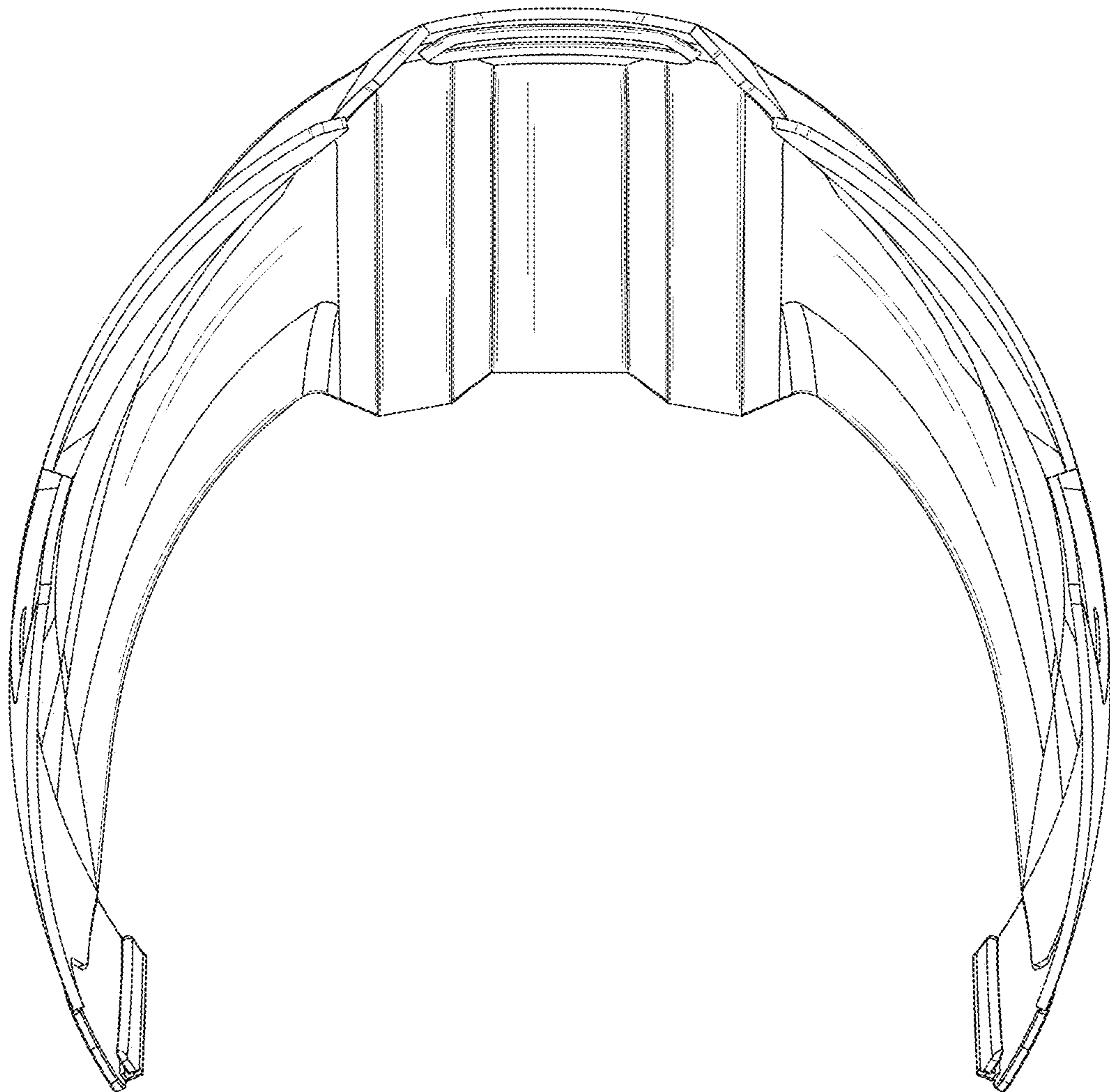


FIG. 15

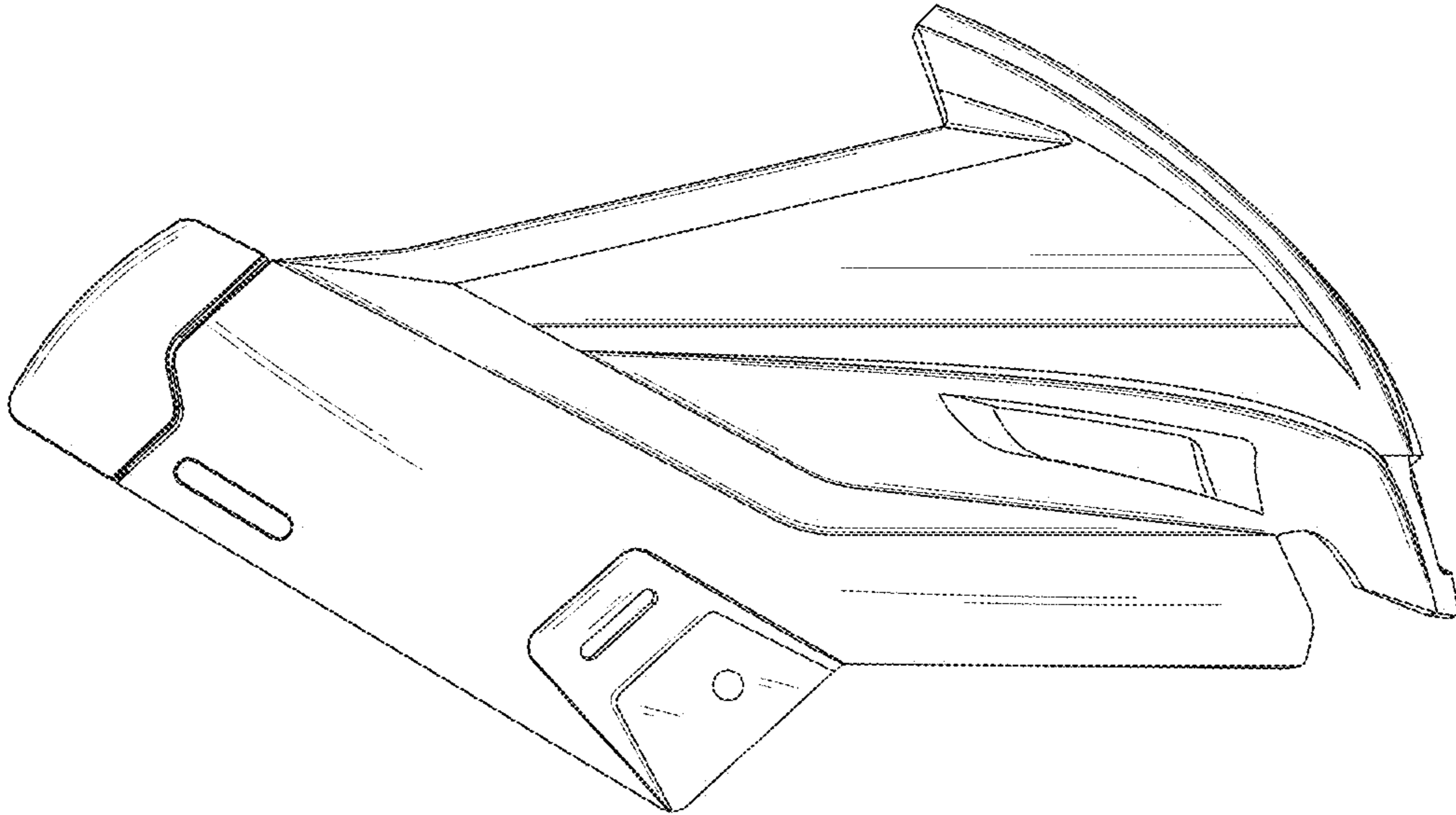


FIG. 16