



US00D957739S

(12) **United States Design Patent** (10) **Patent No.:** **US D957,739 S**
Ma (45) **Date of Patent:** **** Jul. 12, 2022**

(54) **PEDICURE TOOL**
(71) Applicant: **SHENZHEN YIHAITONG TRADING CO., LTD**, Shenzhen (CN)
(72) Inventor: **Dingdian Ma**, Enshi Tujia and Miao (CN)
(73) Assignee: **SHENZHEN YIHAITONG TRADING CO., LTD**, Shenzhen (CN)

D551,513 S * 9/2007 Fiorella D7/619.1
D551,803 S * 9/2007 Durante D28/61
7,648,108 B2 * 1/2010 Peterson A61B 17/54
132/73
D697,672 S * 1/2014 Pheng D28/61
D841,250 S 2/2019 Gobber et al.
D852,421 S * 6/2019 Solitt D28/61
2018/0235342 A1 * 8/2018 Wesley A47B 5/04

(**) Term: **15 Years**

(21) Appl. No.: **29/797,237**

(22) Filed: **Jun. 29, 2021**

(51) **LOC (13) Cl.** **28-03**

(52) **U.S. Cl.**
USPC **D28/61**

(58) **Field of Classification Search**
USPC D28/61
CPC A45D 29/00; A45D 29/18; A45D 29/20;
A45D 29/22; A47C 16/02; A47C 16/025
See application file for complete search history.

(56) **References Cited**

U.S. PATENT DOCUMENTS

4,294,268 A * 10/1981 Kitrell A45D 29/22
132/73
5,501,682 A * 3/1996 Edwards-Cofie A61H 23/02
601/16
D376,671 S * 12/1996 Schonhorn D28/61
D433,772 S * 11/2000 Capoano D28/61
6,325,069 B1 * 12/2001 Heims A45D 29/22
132/73
6,532,969 B2 * 3/2003 Nuzzo A45D 29/22
132/286
D487,533 S * 3/2004 Abbott A45D 29/22
D28/57
D490,570 S 5/2004 Boyd
6,832,688 B1 * 12/2004 Rivera A45D 29/20
132/288

OTHER PUBLICATIONS

Salon Step, www.amazon.com, 1 page, reviewed as early as Dec. 2020 (Year: 2020).*

* cited by examiner

Primary Examiner — Jennifer Rivard

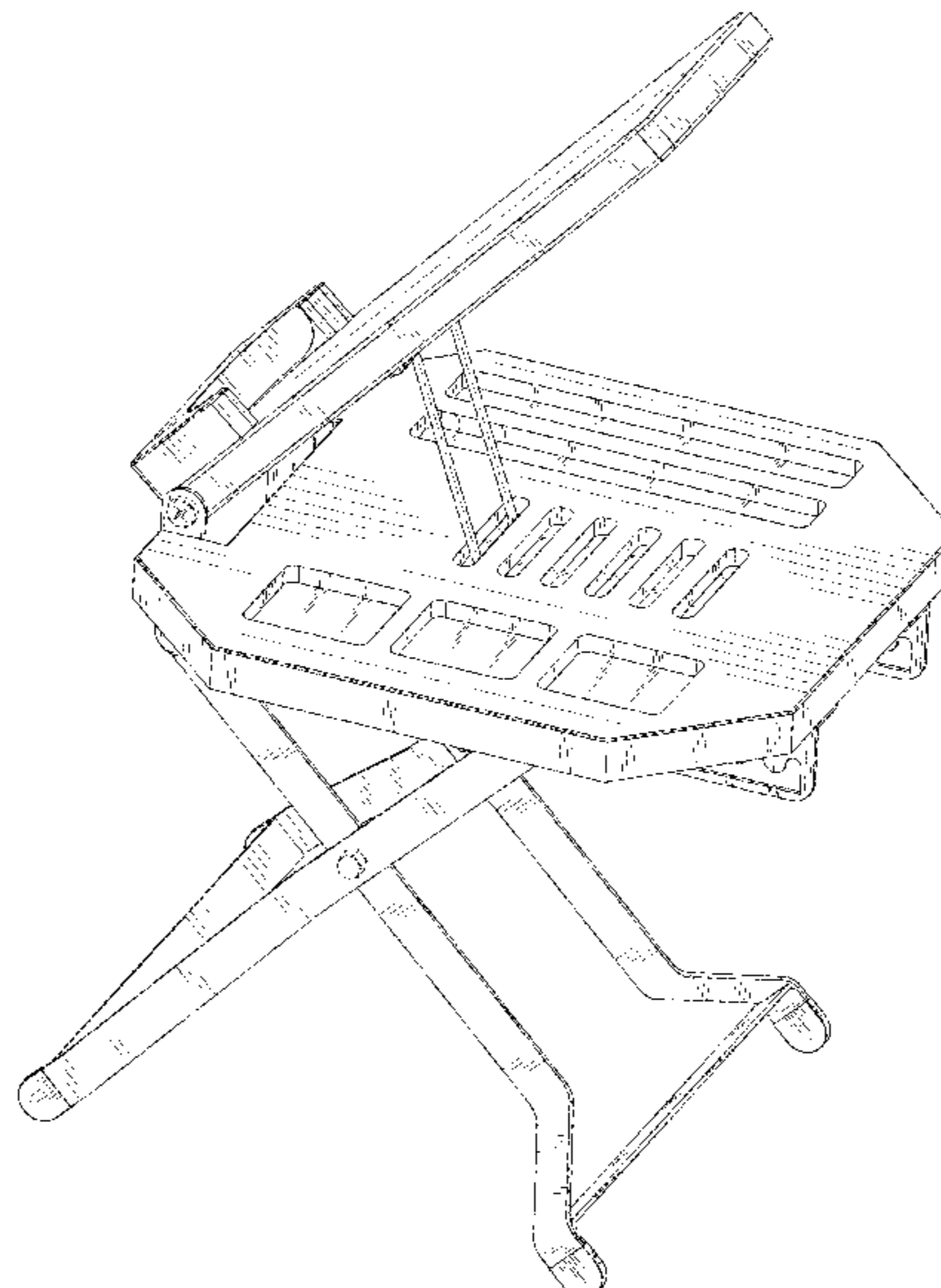
(57) **CLAIM**

The ornamental design for a pedicure tool, as shown and described.

DESCRIPTION

FIG. 1 is a perspective view of a pedicure tool showing my new design where the pedicure tool is in a first open position;
FIG. 2 is a front elevational view thereof;
FIG. 3 is a rear elevational view thereof;
FIG. 4 is a left side elevational view thereof;
FIG. 5 is a right side elevational view thereof;
FIG. 6 is a top plan view thereof;
FIG. 7 is a bottom plan view thereof;
FIG. 8 is a perspective view of the pedicure tool where the pedicure tool is in a second open position; and,
FIG. 9 is a perspective view of the pedicure tool where the pedicure tool is in a folded state.
The broken lines in the drawings depict portions of the pedicure tool that form no part of the claimed design.

1 Claim, 9 Drawing Sheets



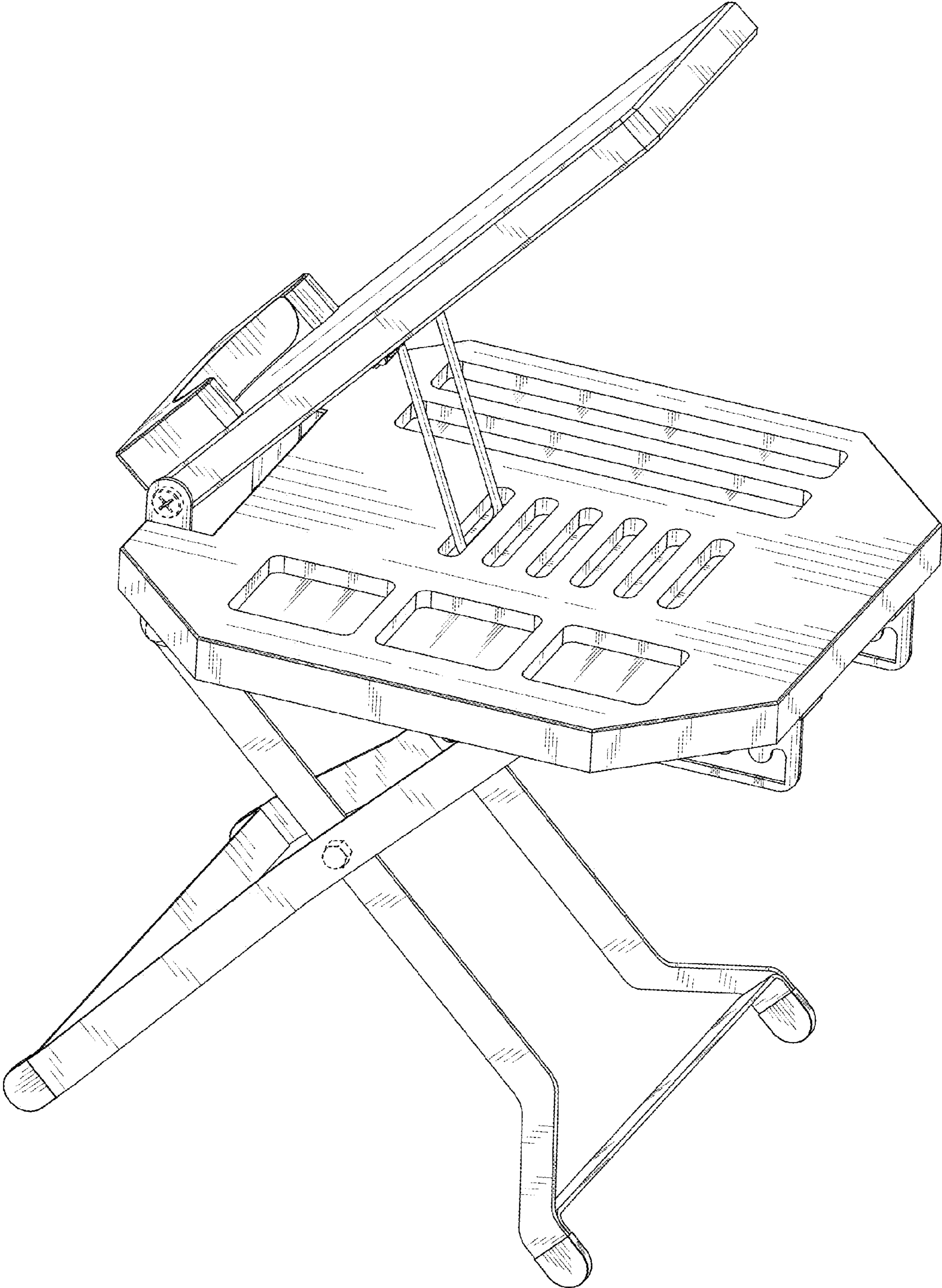


FIG.1

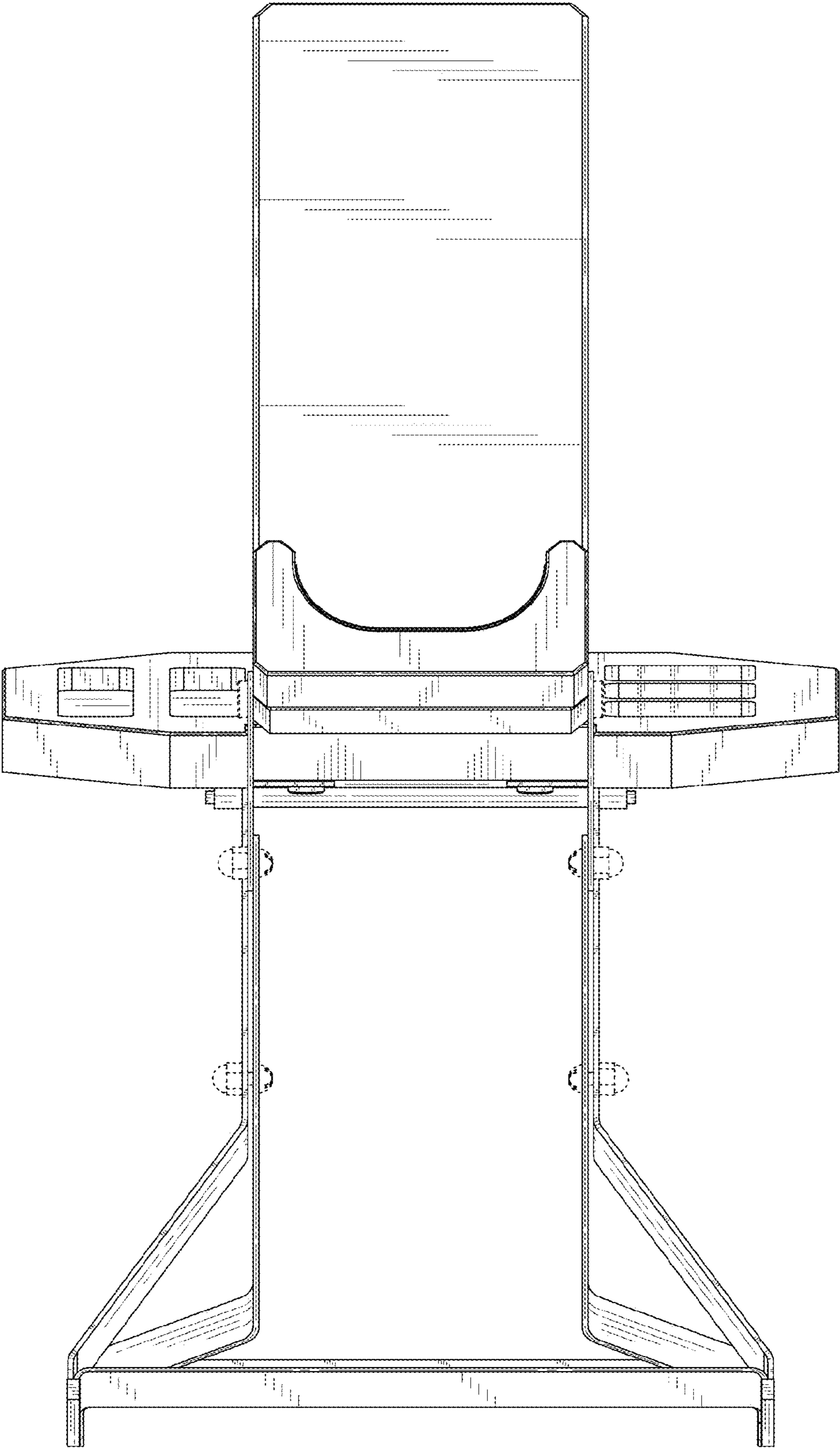


FIG.2

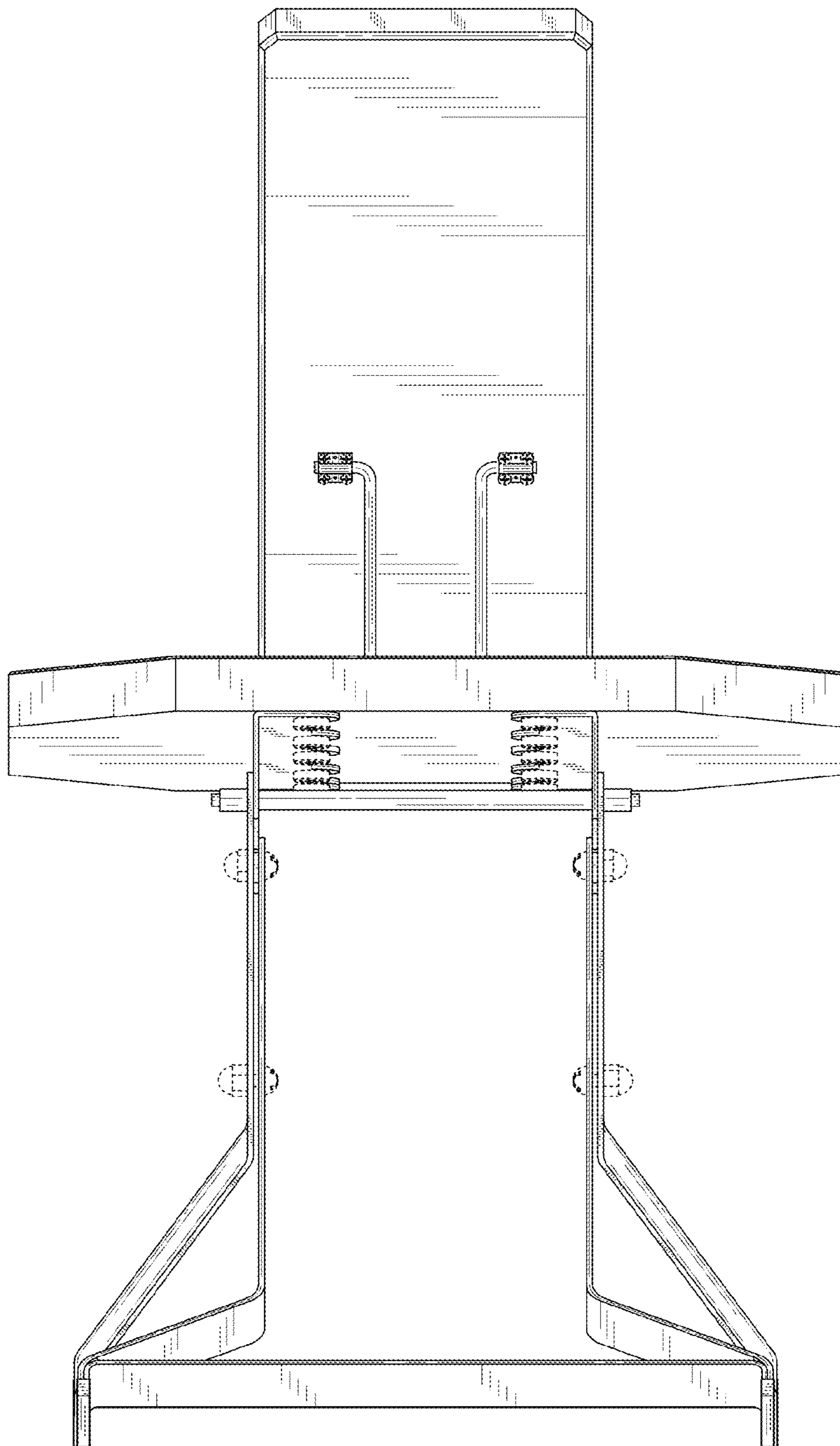


FIG. 3

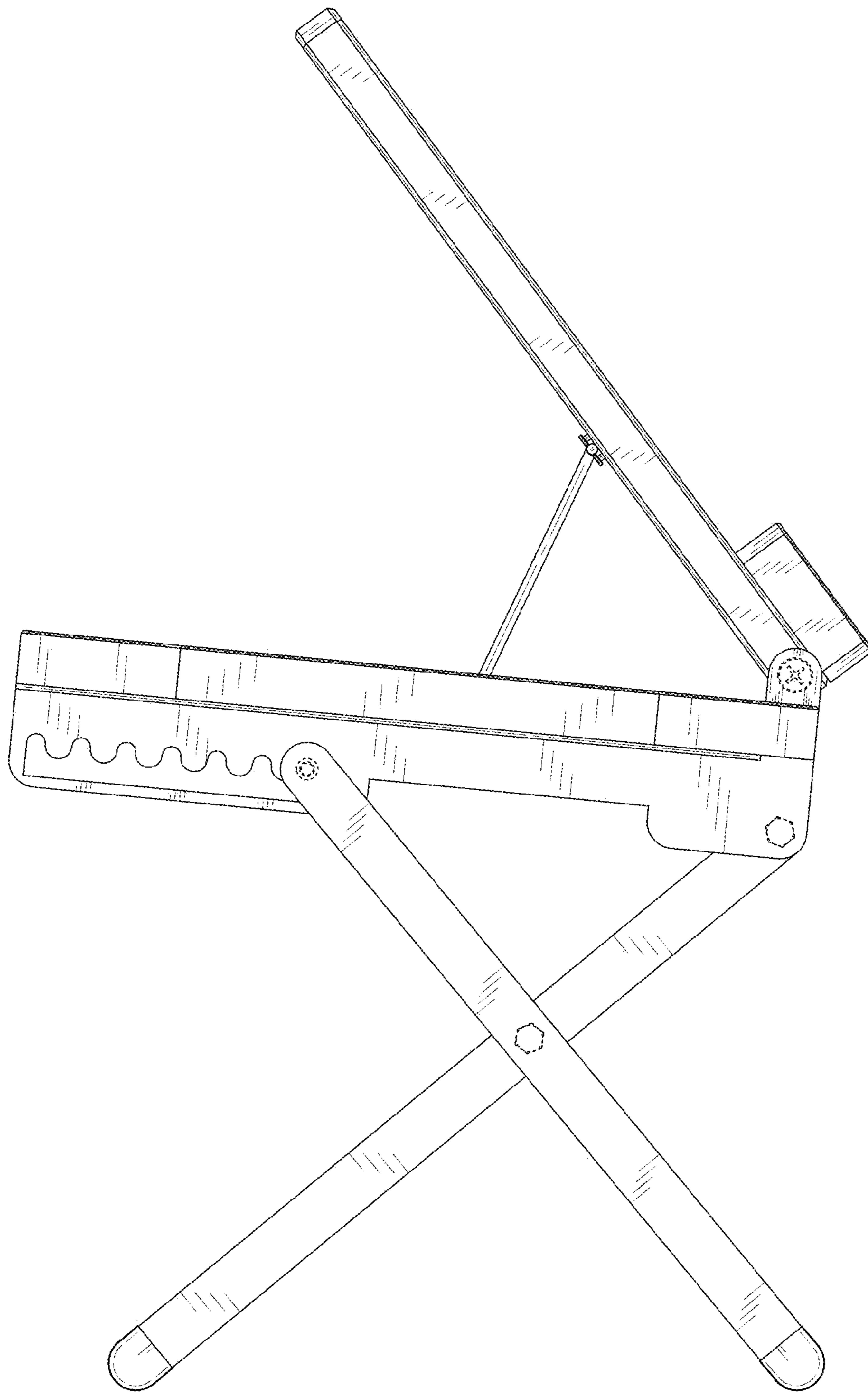


FIG.4

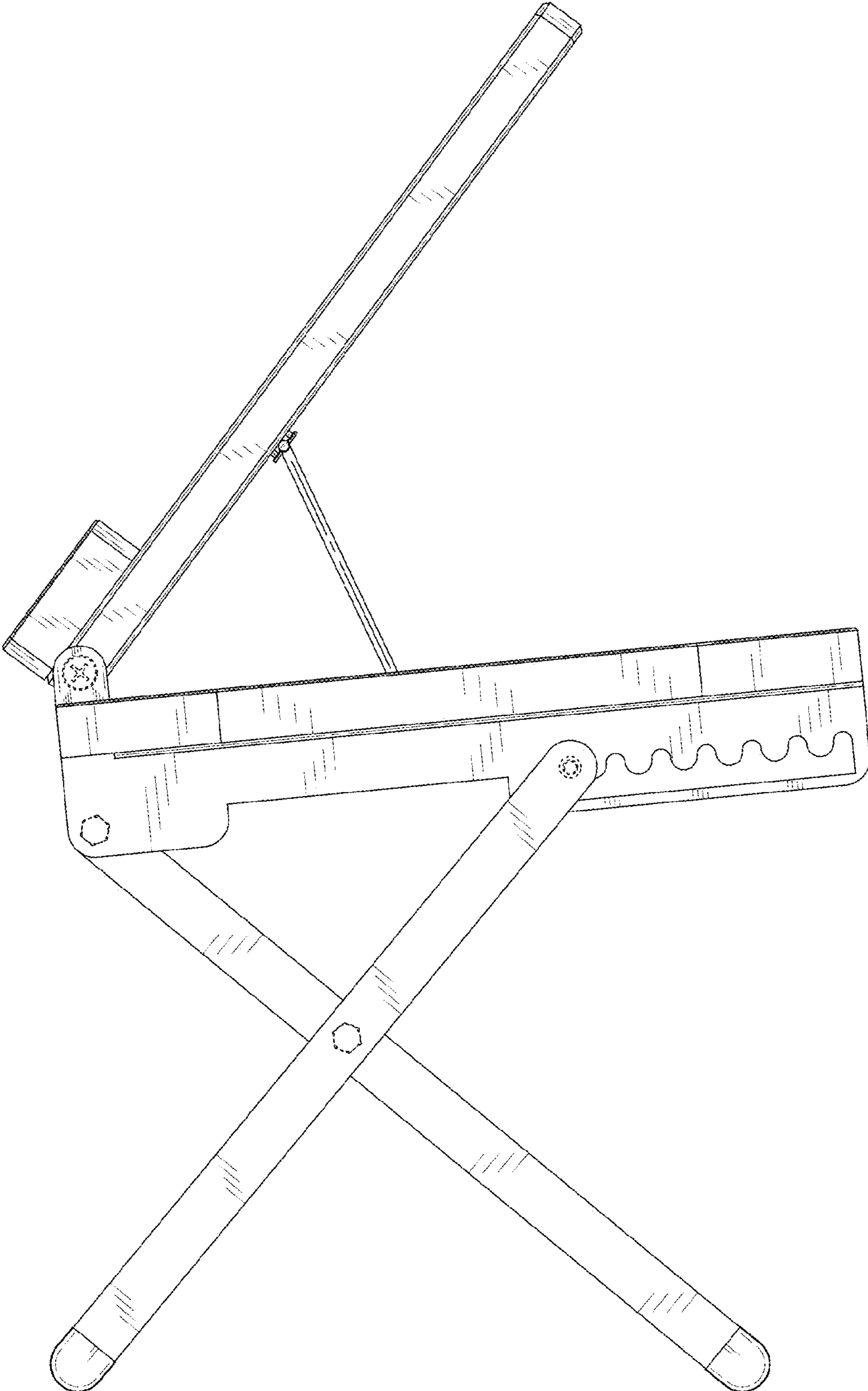


FIG.5

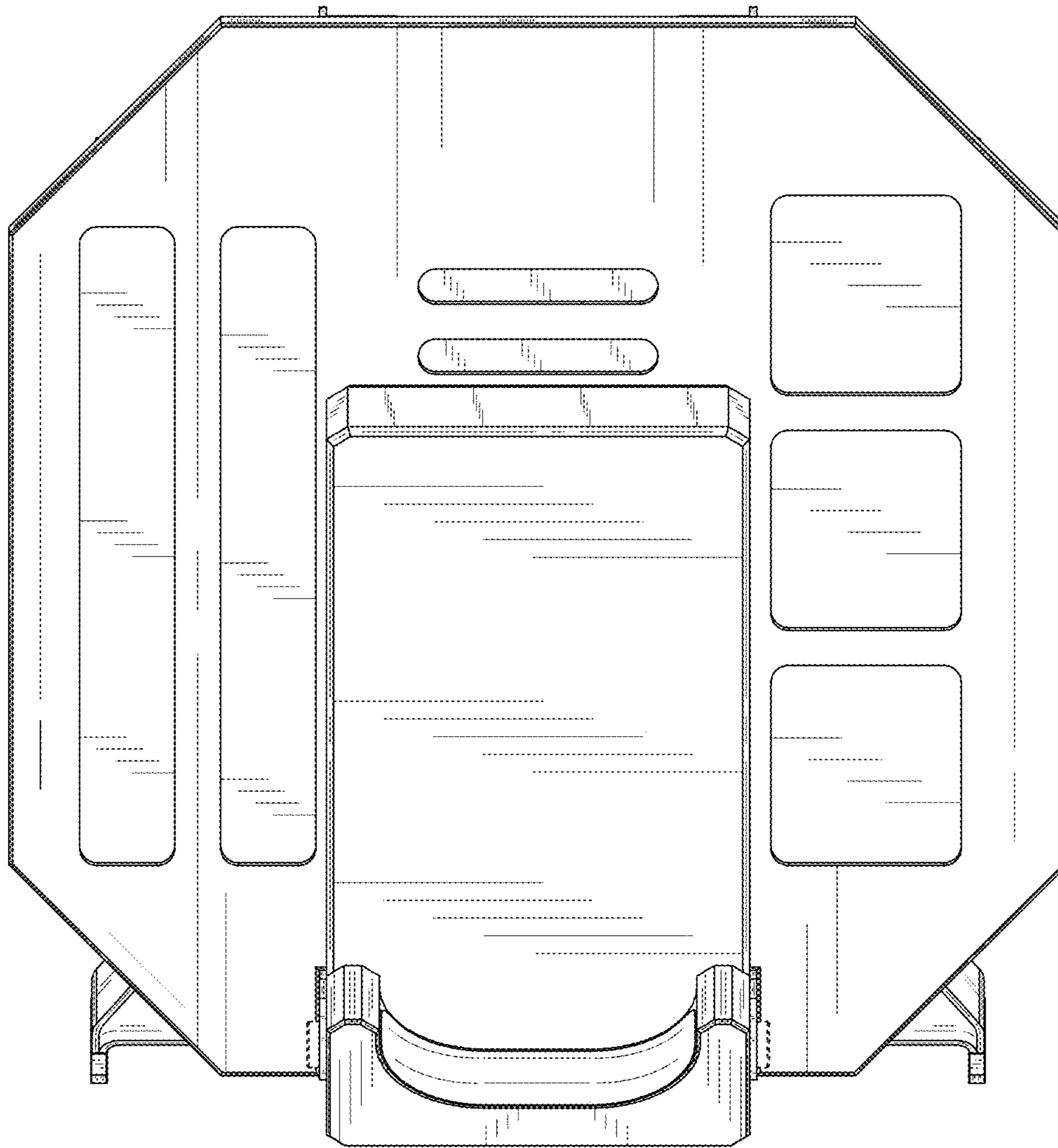


FIG.6

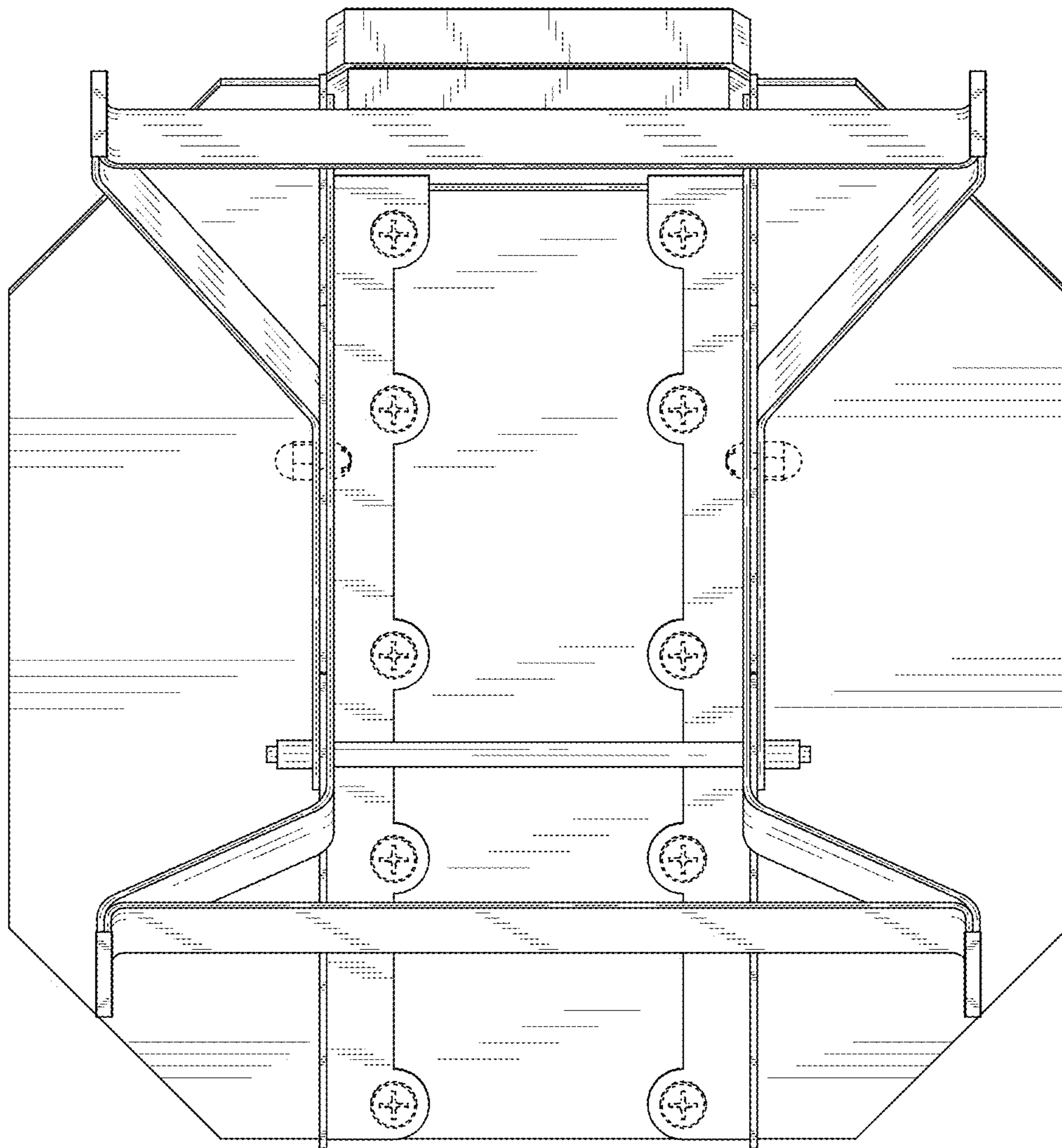


FIG.7

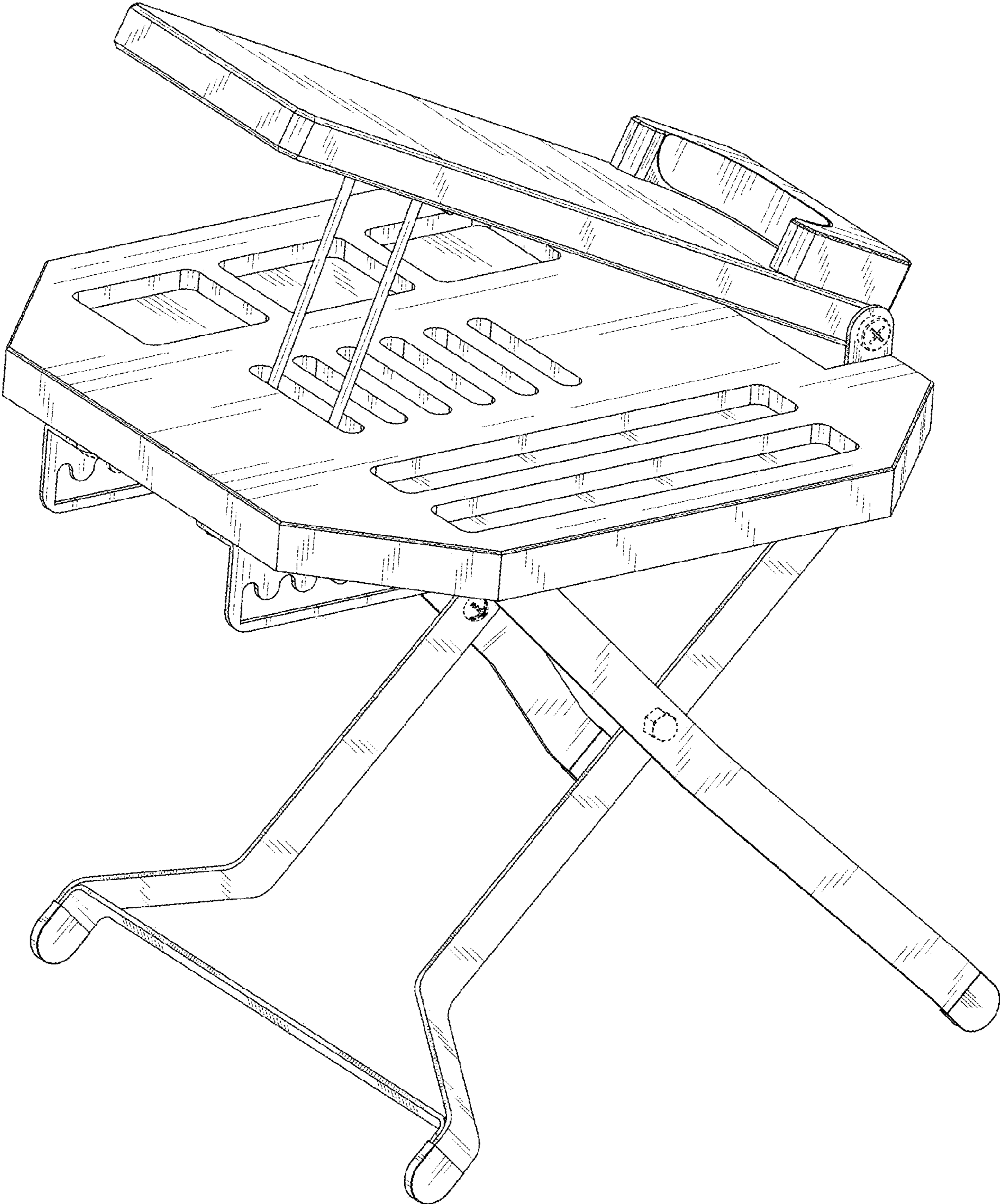


FIG.8

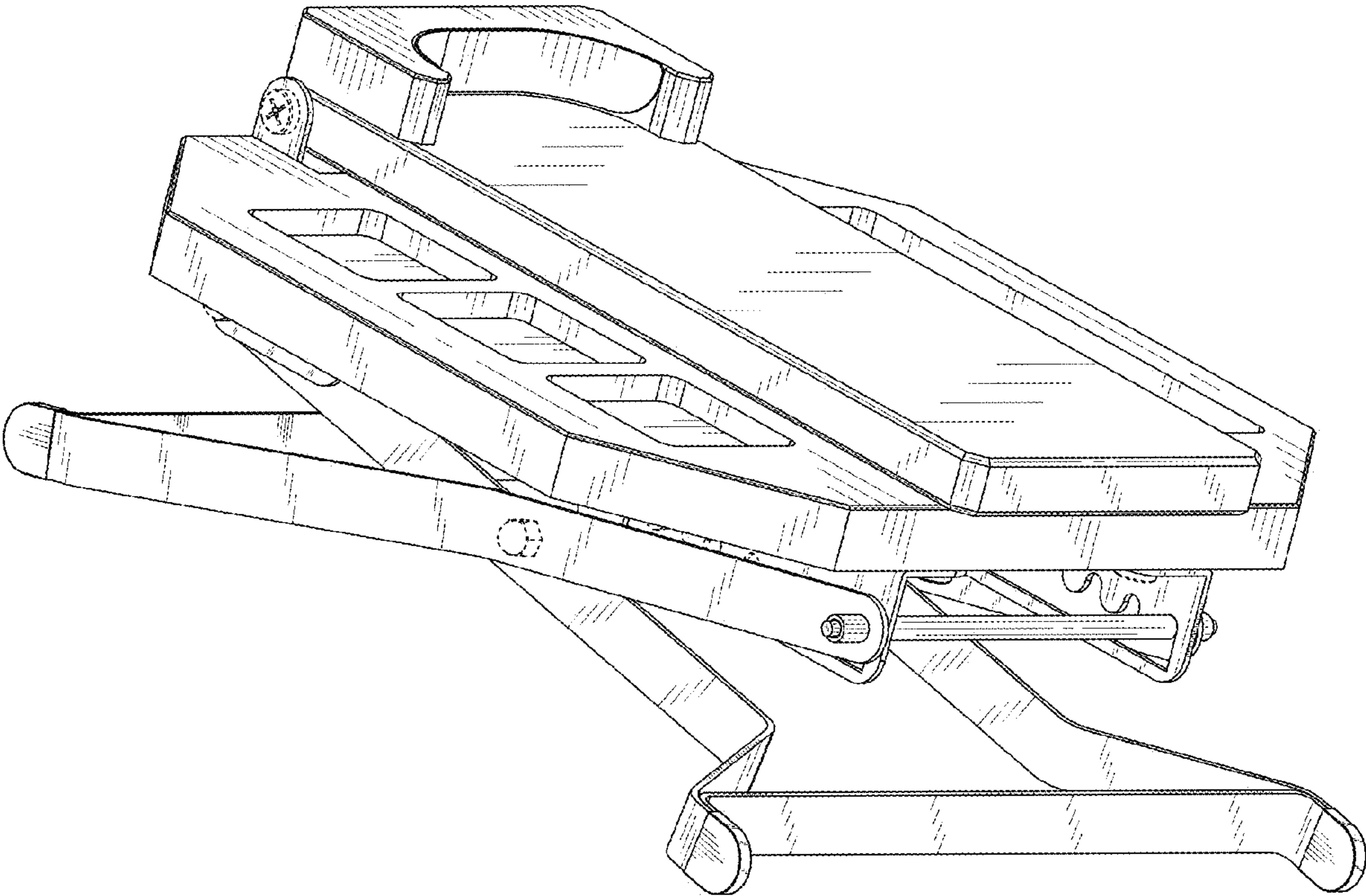


FIG.9