



US00D957736S

(12) **United States Design Patent**
Mu

(10) **Patent No.:** **US D957,736 S**

(45) **Date of Patent:** **** Jul. 12, 2022**

(54) **ELECTRONIC HOT AIR COMB**

(71) Applicant: **Fangbin Mu**, Ruian (CN)

(72) Inventor: **Fangbin Mu**, Ruian (CN)

(**) Term: **15 Years**

(21) Appl. No.: **29/798,216**

(22) Filed: **Jul. 7, 2021**

(51) **LOC (13) Cl.** **28-03**

(52) **U.S. Cl.**
USPC **D28/18**

(58) **Field of Classification Search**
USPC D28/12-19; D8/29.1
CPC A45D 20/00; A45D 20/04; A45D 20/08;
A45D 20/10; A45D 20/12; A45D
2020/128
See application file for complete search history.

(56) **References Cited**

U.S. PATENT DOCUMENTS

D160,922 S *	11/1950	Ciulla	D28/13
D200,521 S *	3/1965	Jopson	D28/13
D205,821 S	9/1966	Lattimer		
D225,284 S *	11/1972	Rizzuto	D28/24
D239,883 S *	5/1976	Long	D28/13
D246,606 S *	12/1977	Cousins	D28/18
D255,052 S *	5/1980	Haase	D28/15
D286,087 S *	10/1986	Camens	D28/13
D615,243 S	5/2010	Parodi		

D646,023 S	9/2011	Kim		
D658,330 S	4/2012	Yue		
D695,958 S	12/2013	Shami et al.		
D726,369 S	4/2015	Richmond et al.		
D729,979 S	5/2015	Gammack		
D732,737 S	6/2015	Kaizuka		
D749,783 S	2/2016	Norwid		
D788,978 S	6/2017	Kim		
D821,649 S	6/2018	Qin		
D853,637 S *	7/2019	Coulton	D28/18
D853,638 S *	7/2019	Tappenden	D28/18
D885,662 S	5/2020	Kan		
D917,886 S	5/2021	Ma		
D932,692 S *	10/2021	Wang	D28/12
D933,885 S *	10/2021	Li	D28/13

* cited by examiner

Primary Examiner — Zenia I Bennett

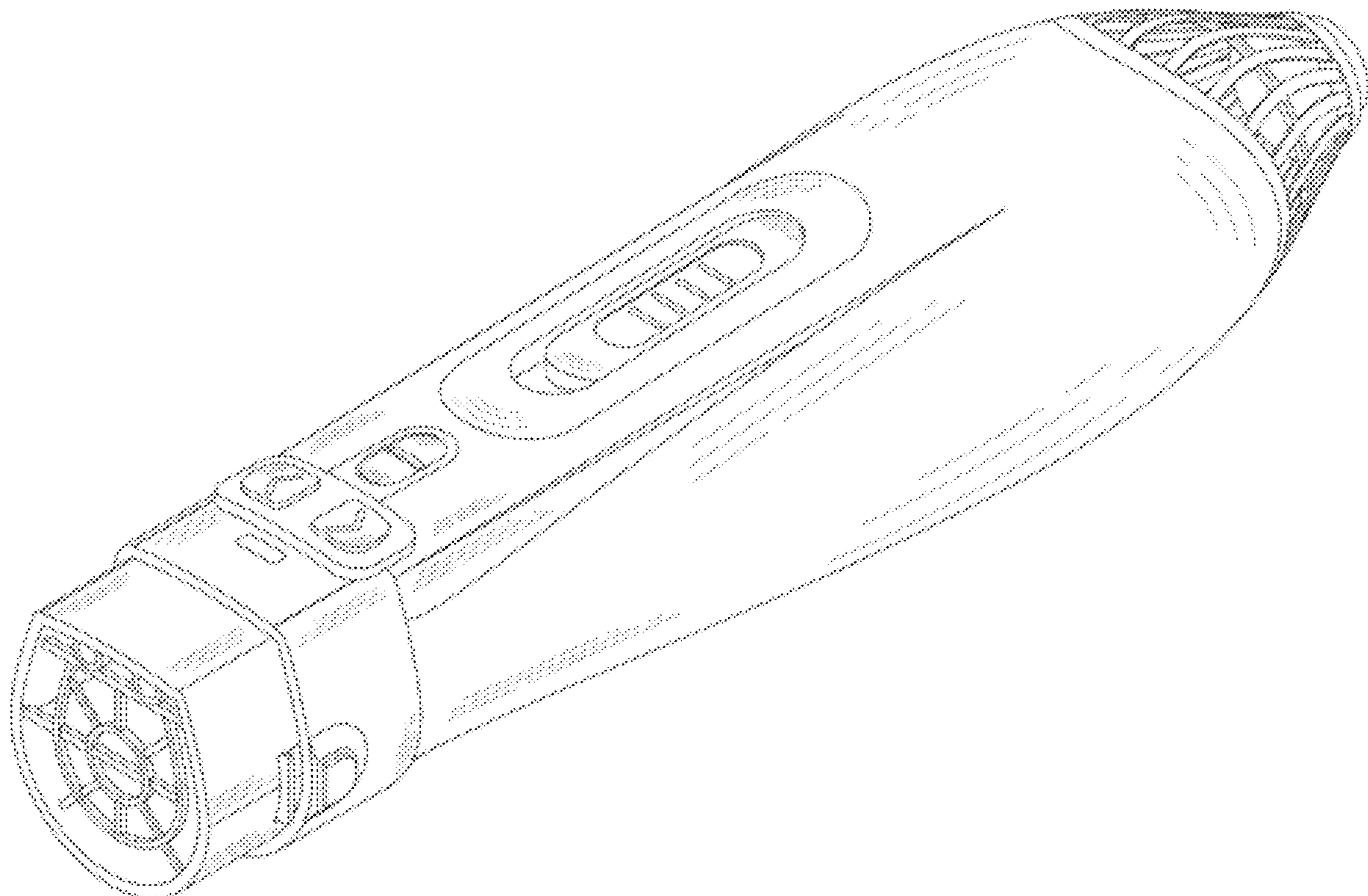
(57) **CLAIM**

The ornamental design for an electronic hot air comb, as shown and described.

DESCRIPTION

FIG. 1 is a front elevation view of an electronic hot air combmat showing my new design;
FIG. 2 is a back elevation view thereof;
FIG. 3 is a left-side view thereof;
FIG. 4 is a right-side view thereof;
FIG. 5 is a top plan view thereof;
FIG. 6 is a bottom plan view thereof; and,
FIG. 7 is a perspective view thereof.

1 Claim, 7 Drawing Sheets



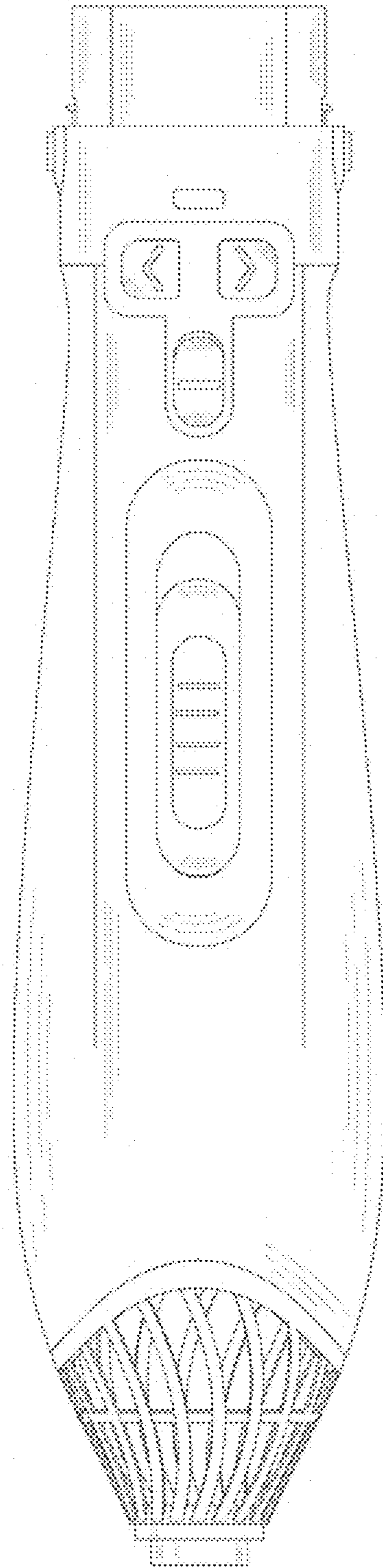


FIG. 1

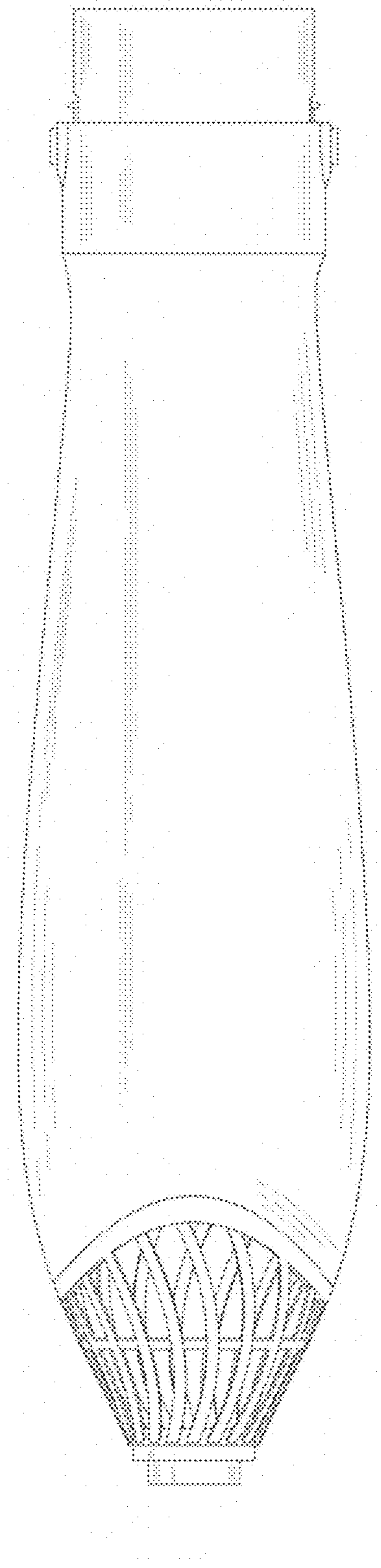


FIG.2

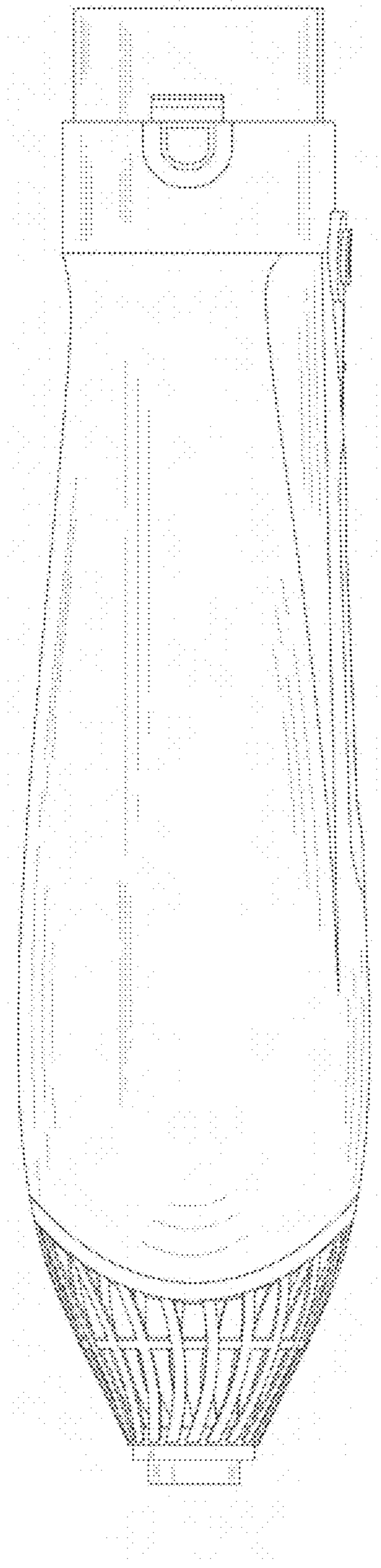


FIG.3

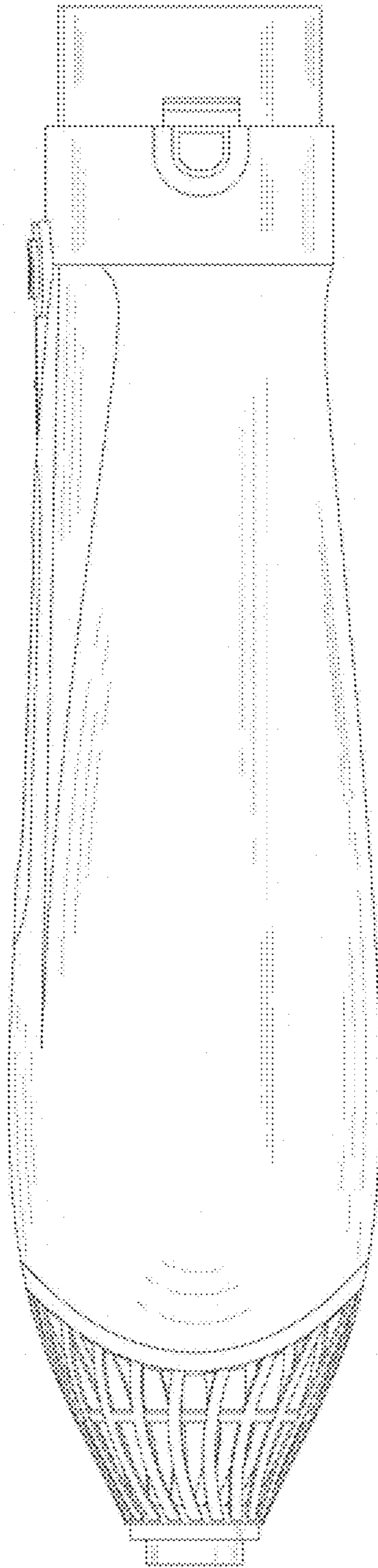


FIG.4

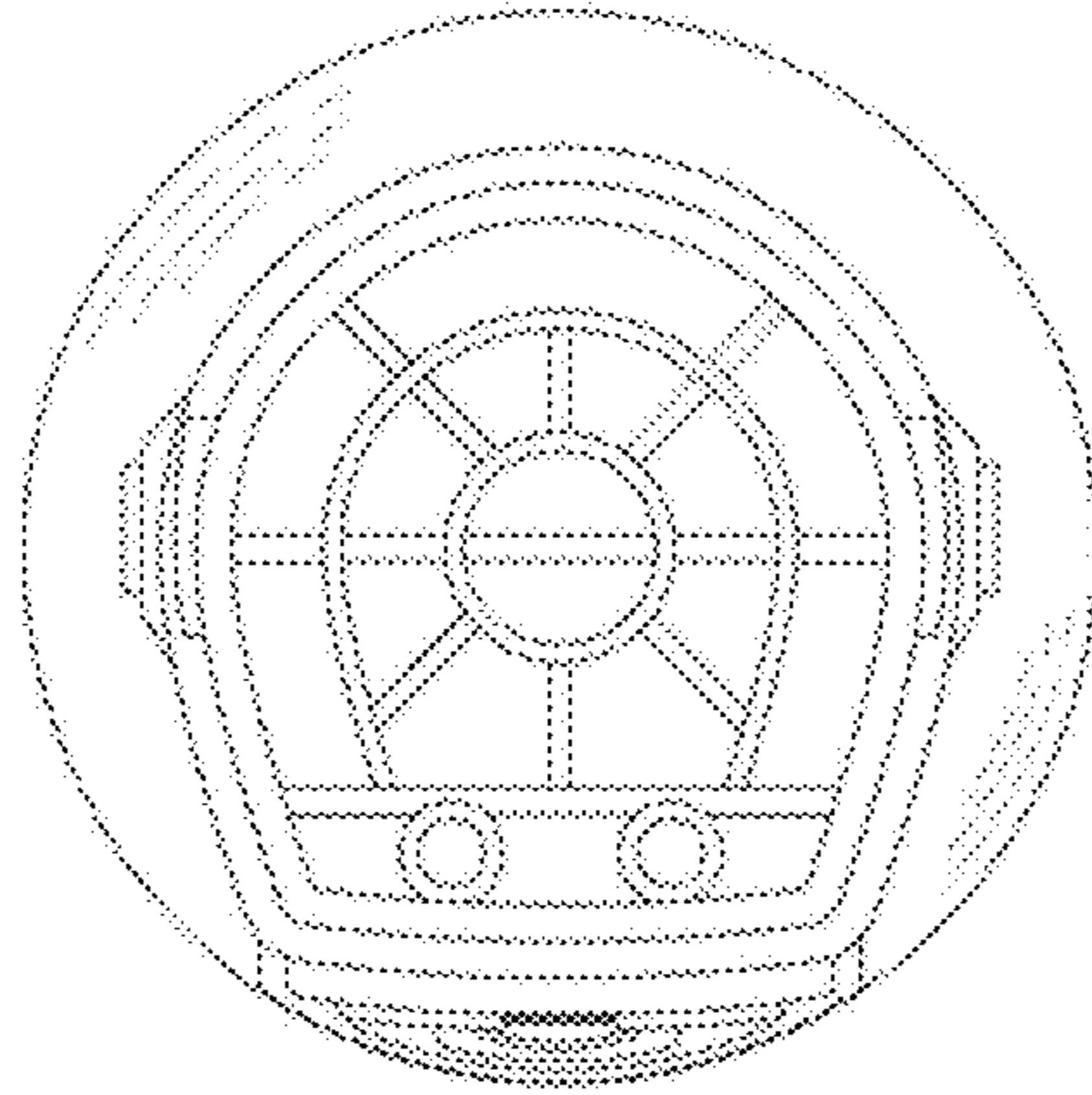


FIG. 5

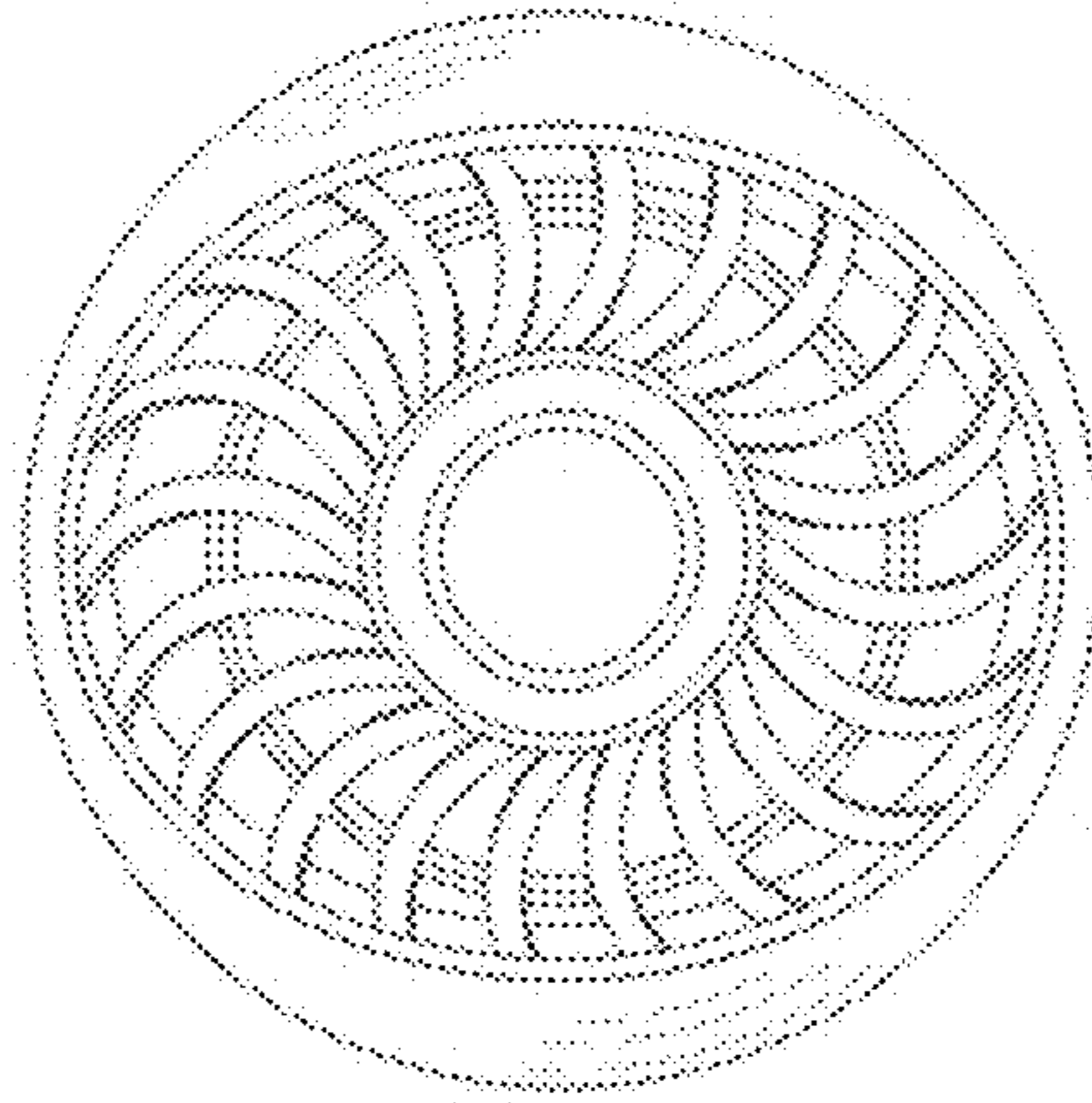


FIG.6

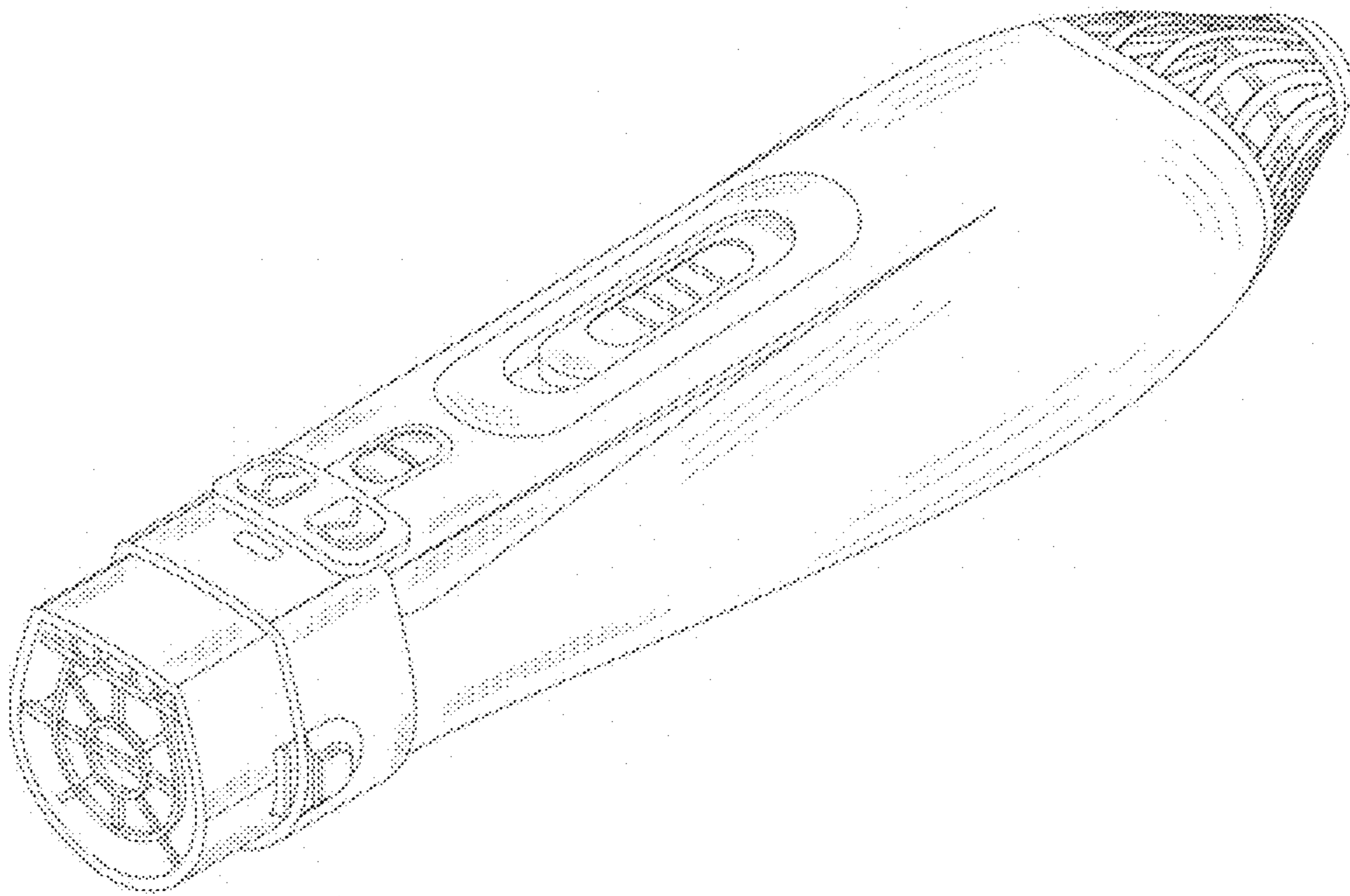


FIG.7