



US00D957732S

(12) **United States Design Patent**
Oliver, III

(10) **Patent No.:** **US D957,732 S**

(45) **Date of Patent:** **** Jul. 12, 2022**

- (54) **SMOKER'S ARTICLE**
- (71) Applicant: **Louis Oliver, III**, Sunrise, FL (US)
- (72) Inventor: **Louis Oliver, III**, Sunrise, FL (US)
- (73) Assignee: **HIGHLIGHTZ INTERNATIONAL, INC.**, Plantation, FL (US)
- (**) Term: **15 Years**
- (21) Appl. No.: **29/750,317**
- (22) Filed: **Sep. 12, 2020**
- (51) **LOC (13) Cl.** **27-99**
- (52) **U.S. Cl.**
USPC **D27/194**
- (58) **Field of Classification Search**
USPC D27/162, 100, 101, 163-165, 172,
D27/174-176, 183, 185-194; D24/110,
D24/110.5; D9/502, 516, 519, 545, 546,
D9/548, 574, 575
CPC A24F 47/002; A24F 47/004; A24F 47/006;
A24F 47/008; A61M 15/00; A61M 15/06;
A61M 15/0021
See application file for complete search history.

| | | | | | | |
|-----------|----|---|---------|--------------|-------|---------|
| D732,239 | S | * | 6/2015 | Chen | | D27/101 |
| D751,249 | S | * | 3/2016 | Chen | | D27/101 |
| D758,003 | S | * | 5/2016 | Merwin | | D27/163 |
| D761,998 | S | * | 7/2016 | Pinder | | D27/101 |
| 9,427,022 | B2 | | 8/2016 | Levin et al. | | |
| D782,728 | S | * | 3/2017 | Pinder | | D27/101 |
| D790,122 | S | * | 6/2017 | Hawes | | D27/101 |
| D802,839 | S | * | 11/2017 | Scott | | D27/194 |
| D821,641 | S | * | 6/2018 | Watson | | D27/194 |
| D838,900 | S | * | 1/2019 | Freese | | |
| D855,881 | S | * | 8/2019 | Hawes | | D27/194 |

(Continued)

Primary Examiner — Rebecca Tsehaye

(74) *Attorney, Agent, or Firm* — Mark C. Johnson;
Johnson Dalal

(57) **CLAIM**

The ornamental design for a smoker's article, as shown and described.

DESCRIPTION

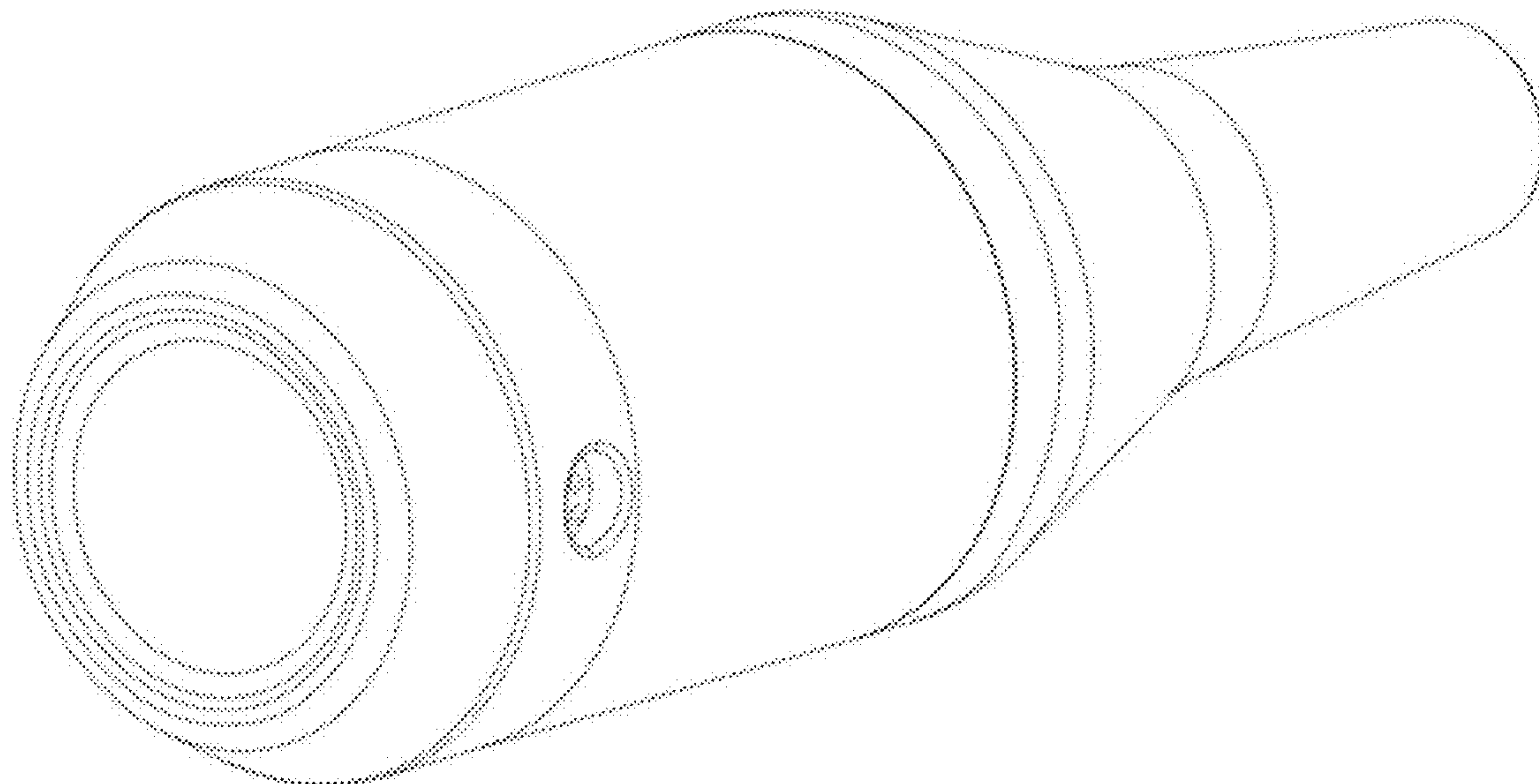
FIG. 1 is an elevational front view of an smoker's article in accordance with the present invention;
 FIG. 2 is an elevational rear view of the smoker's article in FIG. 1;
 FIG. 3 is a bottom plan view of the smoker's article in FIG. 1;
 FIG. 4 is a top plan view of the smoker's article in FIG. 1;
 FIG. 5 is an elevational left-side view of the smoker's article in FIG. 1;
 FIG. 6 is an elevational right-side view of the smoker's article in FIG. 1;
 FIG. 7 is a perspective view of the smoker's article in FIG. 1; and,
 FIG. 8 is another perspective view of the smoker's article in FIG. 1.
 The broken lines of environmental structure, namely sensors and rings, in FIGS. 1-3 and FIG. 7 forms no part of the claimed design.

1 Claim, 3 Drawing Sheets

(56) **References Cited**

U.S. PATENT DOCUMENTS

| | | | | |
|-----------|----|---------|----------------------|------------------------|
| 2,830,593 | A | 4/1958 | Campbell | |
| 5,269,327 | A | 12/1993 | Counts et al. | |
| D459,655 | S | * | 7/2002 | Darr D9/502 |
| D485,639 | S | 1/2004 | Stronski | |
| D588,741 | S | 3/2009 | Murdaugh, III et al. | |
| 8,156,844 | B2 | 4/2012 | MacArthur et al. | |
| D692,613 | S | 10/2013 | Morreale | |
| D720,094 | S | * | 12/2014 | Alima D27/101 |
| D720,095 | S | * | 12/2014 | Alima D27/163 |
| D723,215 | S | * | 2/2015 | Chen D27/101 |
| D723,216 | S | * | 2/2015 | Chen D27/101 |
| D724,264 | S | * | 3/2015 | Chambers D27/101 |



(56)

References Cited

U.S. PATENT DOCUMENTS

| | | | |
|------------------|---------|------------------|-----------------------|
| D871,662 S * | 12/2019 | Volodarsky | D27/101 |
| D921,969 S * | 6/2021 | Simrell | D27/162 |
| 2016/0066619 A1 | 3/2016 | Di Carlo | |
| 2016/0113327 A1* | 4/2016 | Wu | A24F 40/40 131/329 |
| 2016/0235118 A1 | 8/2016 | Riederer | |
| 2017/0099878 A1 | 4/2017 | Murison et al. | |

* cited by examiner

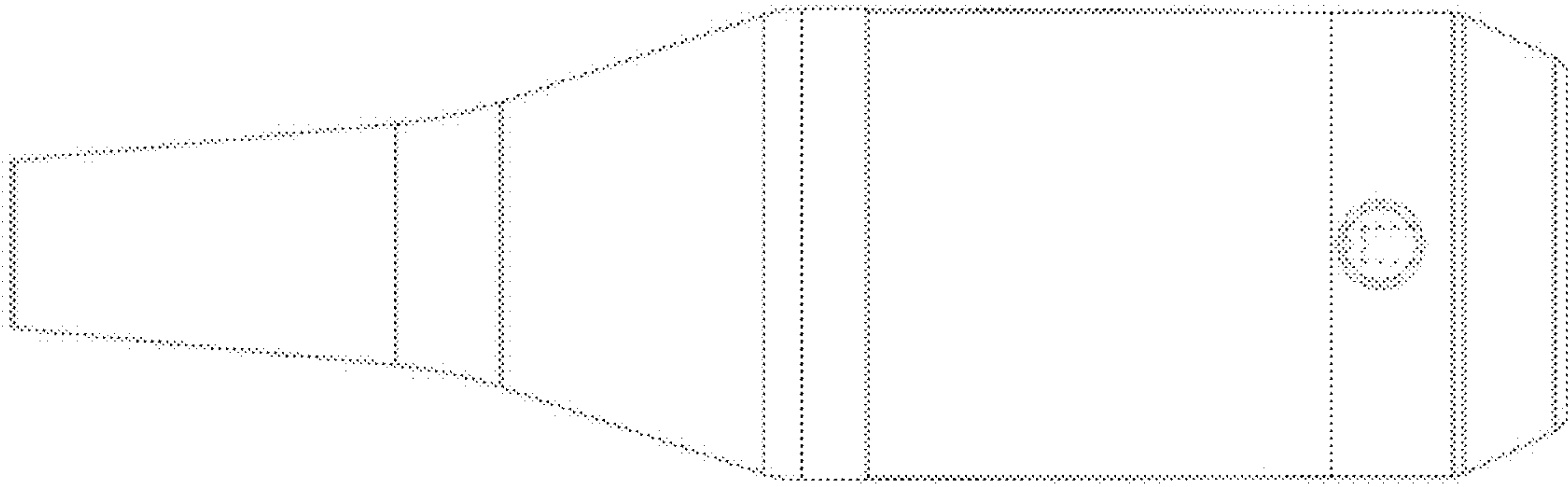


FIG. 1

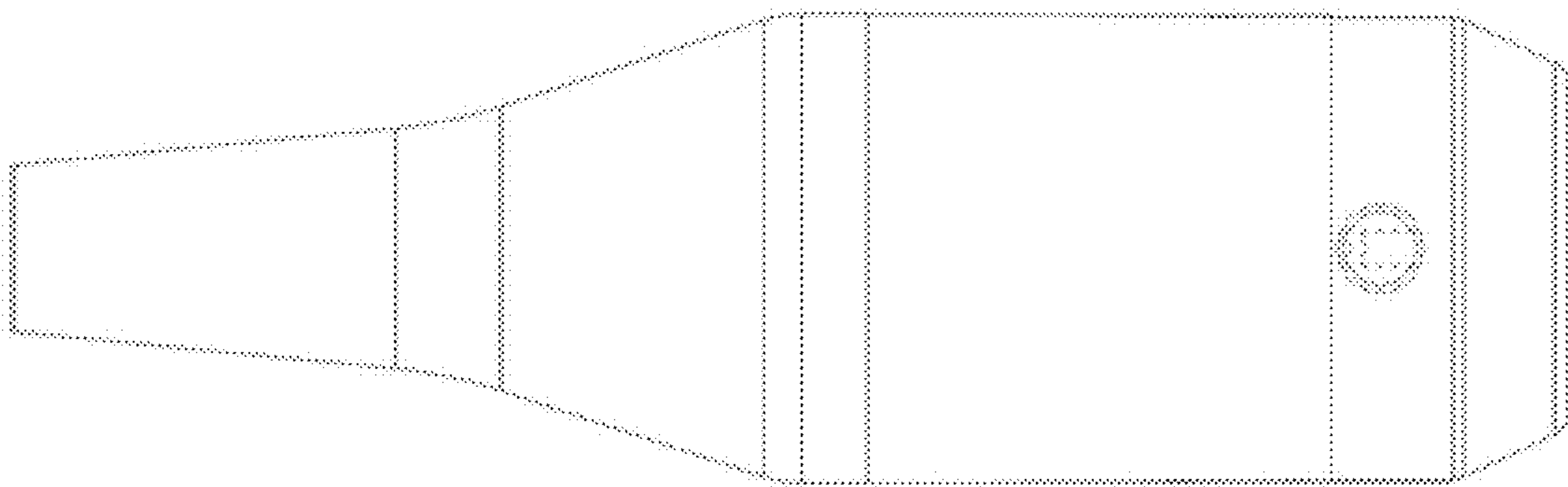


FIG. 2

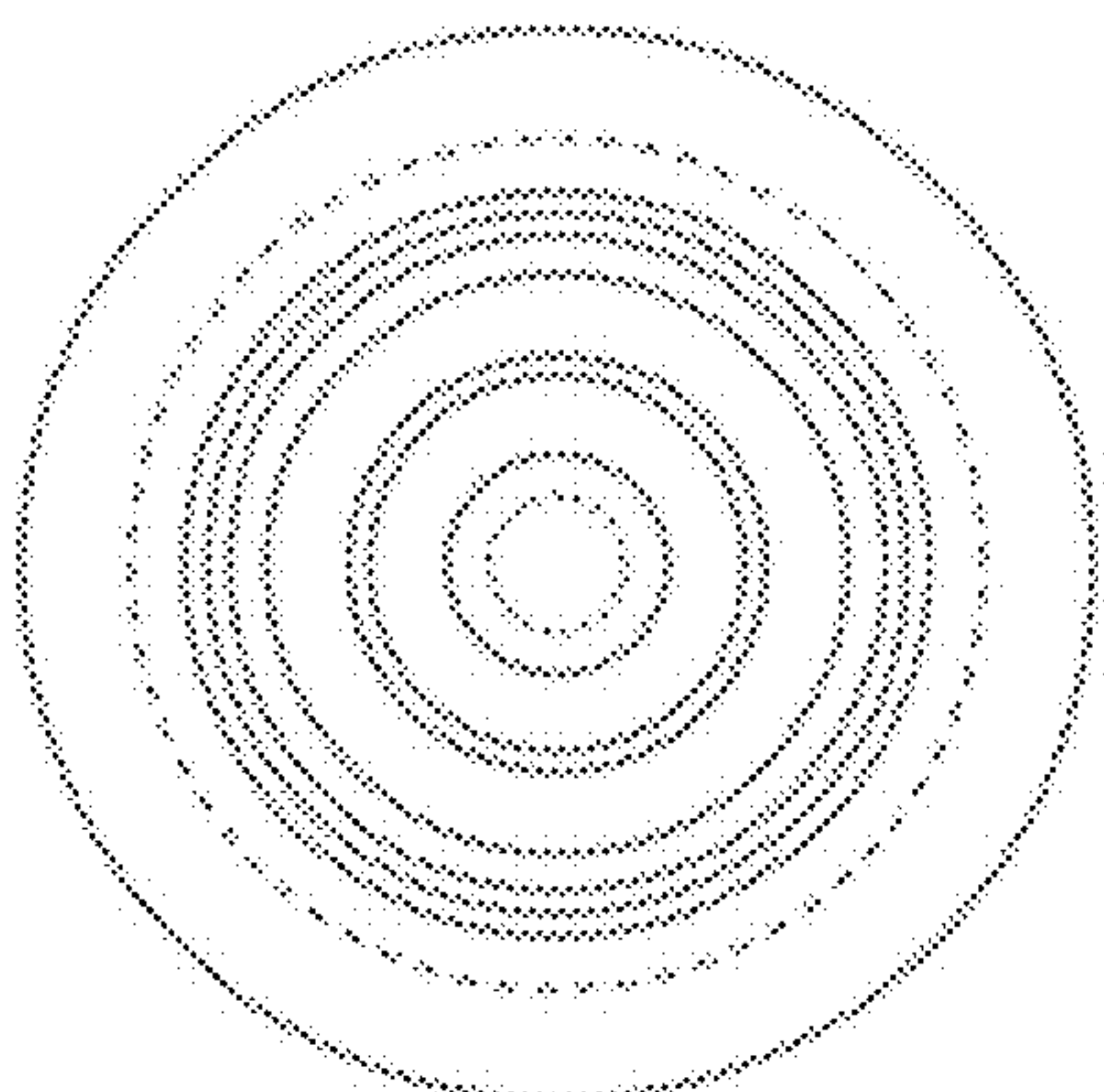


FIG. 3

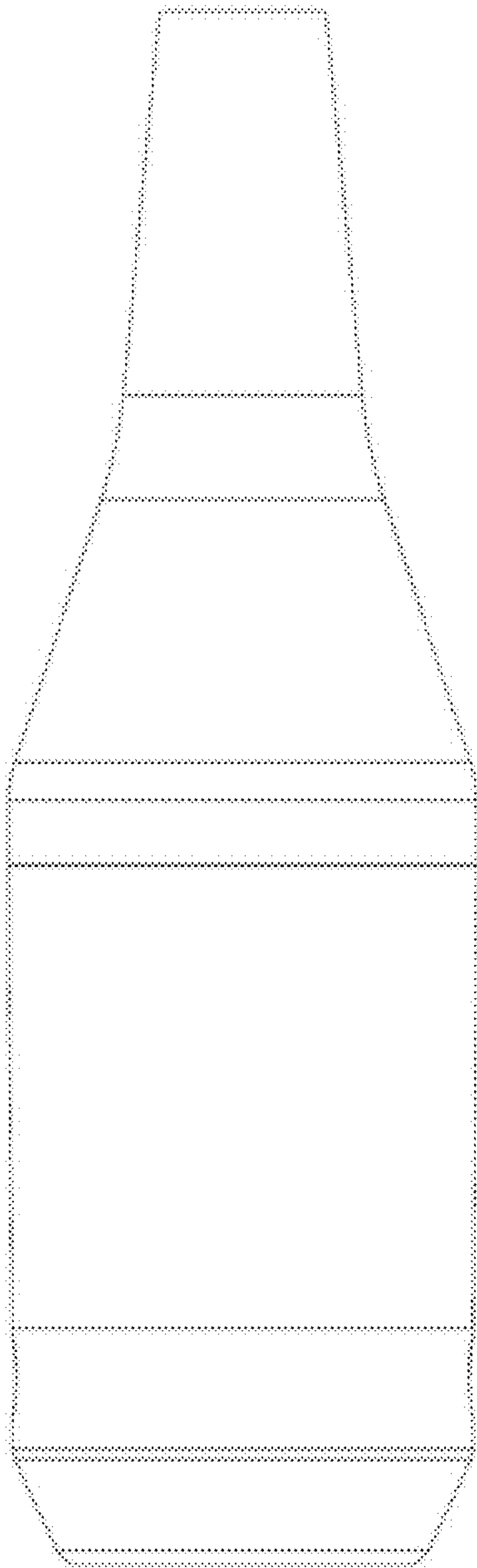


FIG. 5

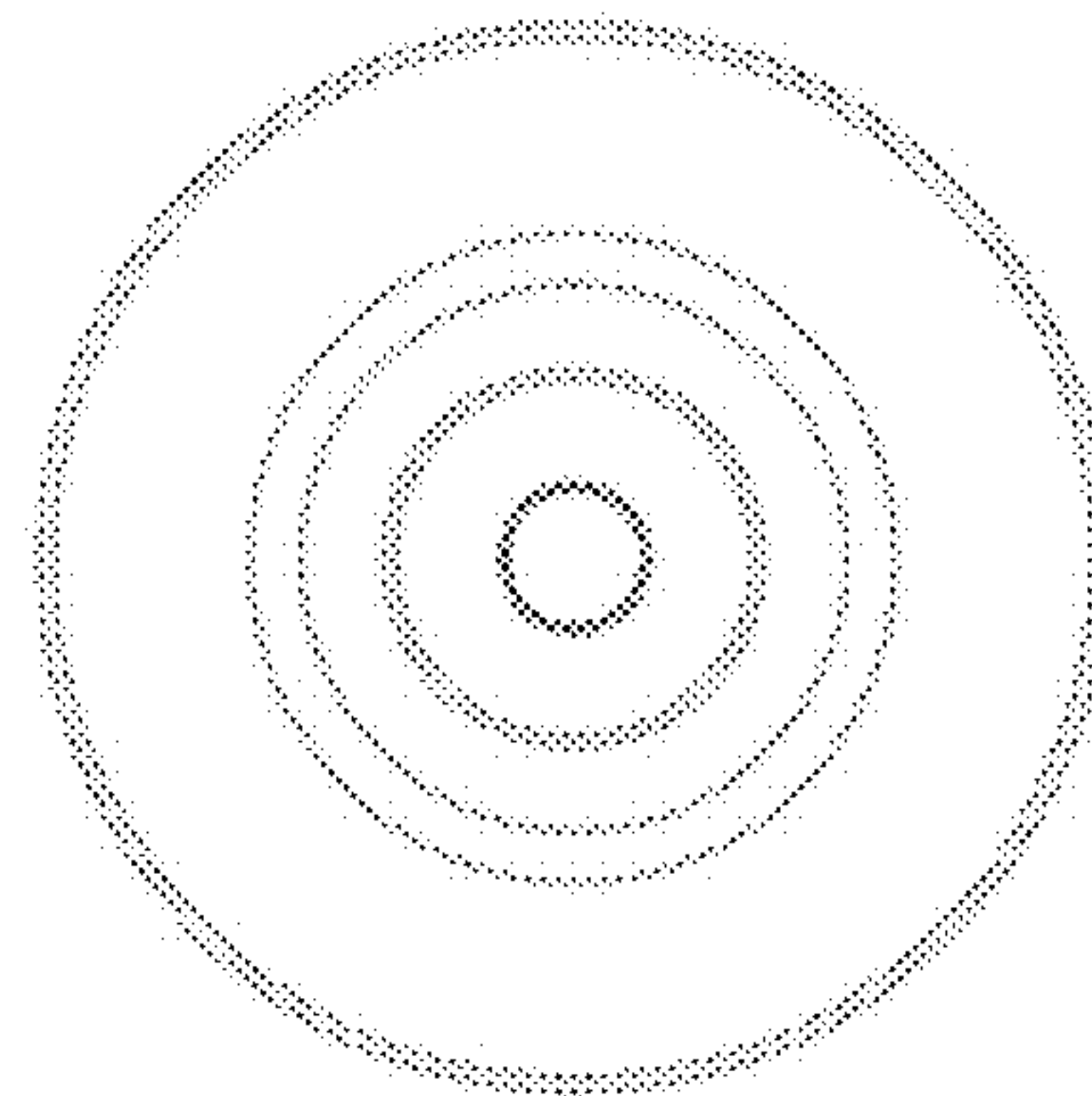


FIG. 4

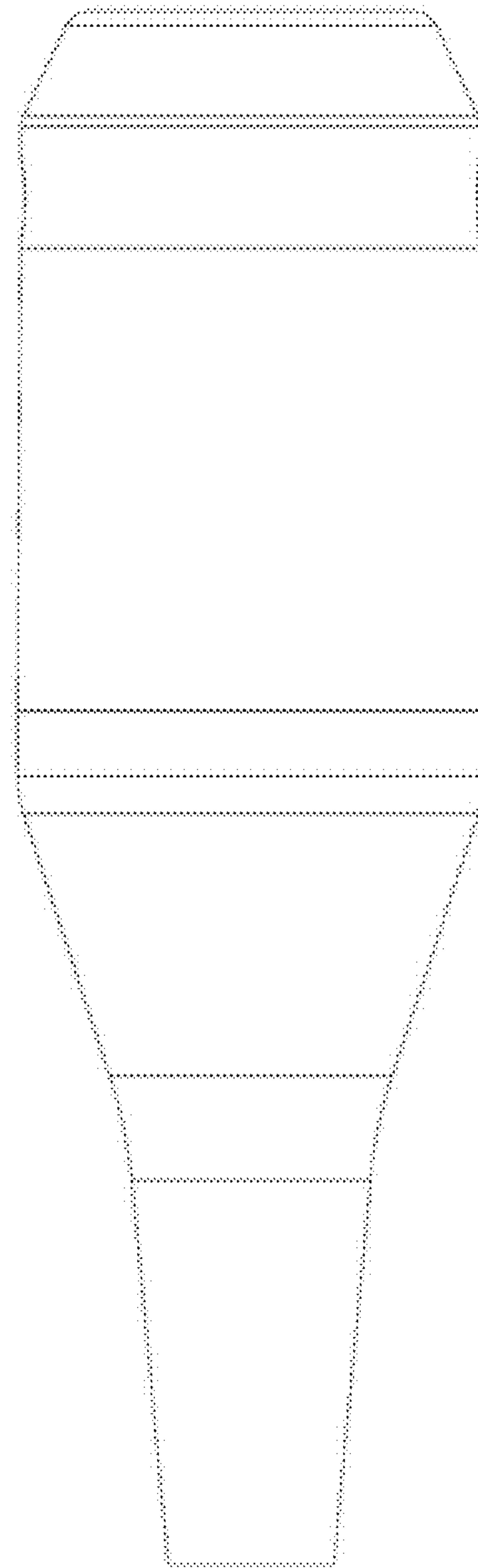


FIG. 6

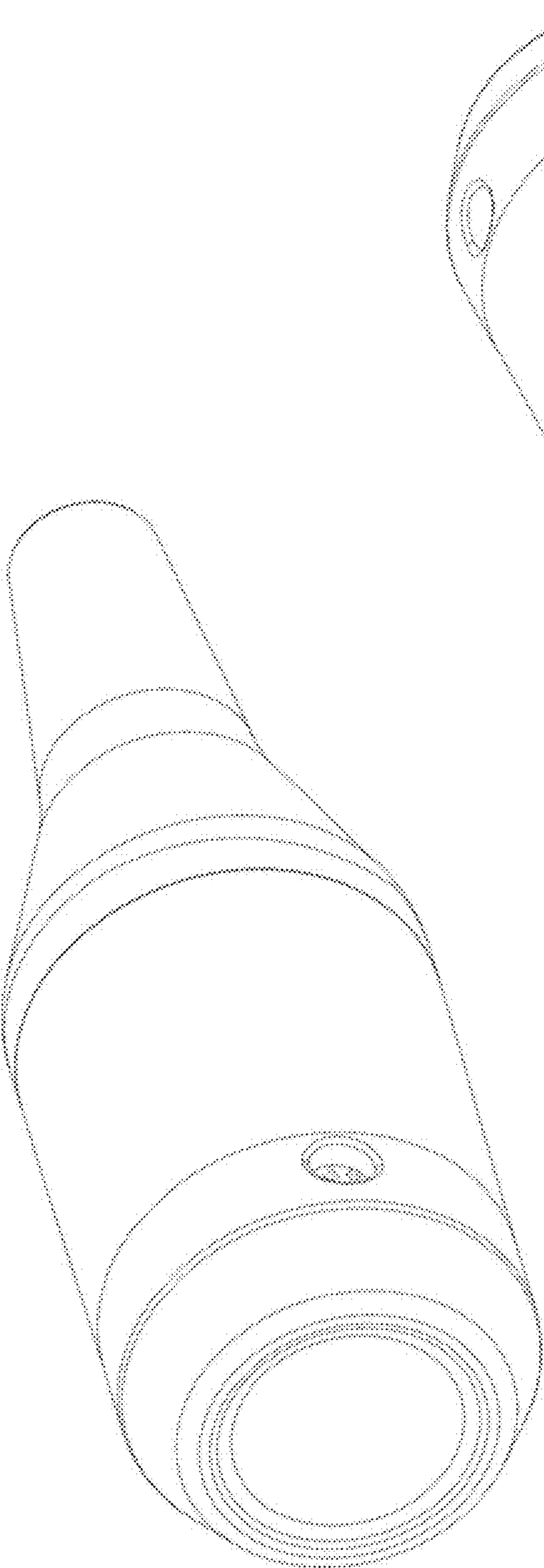


FIG. 7

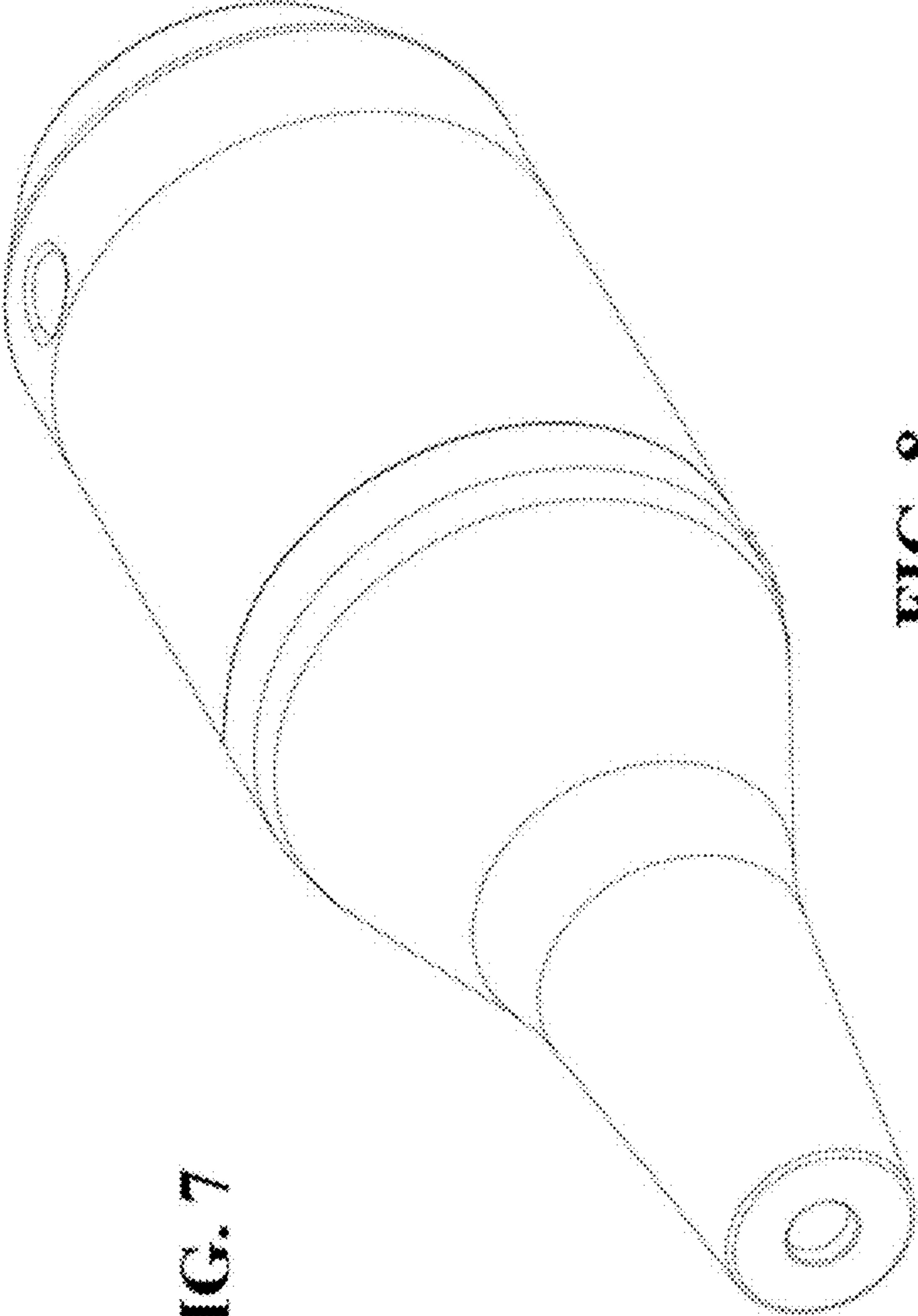


FIG. 8