



US00D957731S

(12) **United States Design Patent** (10) **Patent No.:** **US D957,731 S**
Chen (45) **Date of Patent:** **** Jul. 12, 2022**

(54) **CIGAR HUMIDOR ASSEMBLY**
(71) Applicant: **Kang Chen**, Minhou (CN)
(72) Inventor: **Kang Chen**, Minhou (CN)
(**) Term: **15 Years**
(21) Appl. No.: **29/796,586**
(22) Filed: **Jun. 25, 2021**
(51) **LOC (13) Cl.** **27-06**
(52) **U.S. Cl.**
USPC **D27/189**
(58) **Field of Classification Search**
USPC D27/127, 186–189, 183, 172; D3/295,
D3/294, 201, 203.1, 205, 211
CPC A24F 25/02; A24F 25/00
See application file for complete search history.

Primary Examiner — Rebecca Tsehaye
(74) *Attorney, Agent, or Firm* — Runit Ranjit Kanakia

(57) **CLAIM**

The ornamental design for a cigar humidor assembly, as shown and described.

DESCRIPTION

FIG. 1 is a front elevation view of a cigar humidor assembly showing my new design;
FIG. 2 is a rear elevation view thereof;
FIG. 3 is a left side elevation view thereof;
FIG. 4 is a right side elevation view thereof;
FIG. 5 is a top plan view thereof;
FIG. 6 is a bottom plan view thereof;
FIG. 7 is a rear, side perspective view thereof;
FIG. 8 is a front, top side perspective view thereof;
FIG. 9 is a front, bottom, side perspective view thereof;
FIG. 10 is a front elevation view of a plate removed from the assembly for clarity of disclosure;
FIG. 11 is a rear elevation view of the plate thereof;
FIG. 12 is a left side view of the plate thereof;
FIG. 13 is a right side view of the plate thereof;
FIG. 14 is a top plan view of the plate thereof;
FIG. 15 is a bottom plan view of the plate thereof;
FIG. 16 is a top perspective view of the plate removed from the assembly for clarity of disclosure;
FIG. 17 is a front perspective view of the cigar humidor assembly in open configuration; and,
FIG. 18 is another front perspective view showing that the cover of the cigar humidor assembly is open and the plate structure of the cigar humidor assembly is separated from the cigar humidor assembly.
The broken lines in the figures are for the purpose of illustrating portions of the cigar humidor assembly, that form no part of the claimed design.

(56) **References Cited**

U.S. PATENT DOCUMENTS

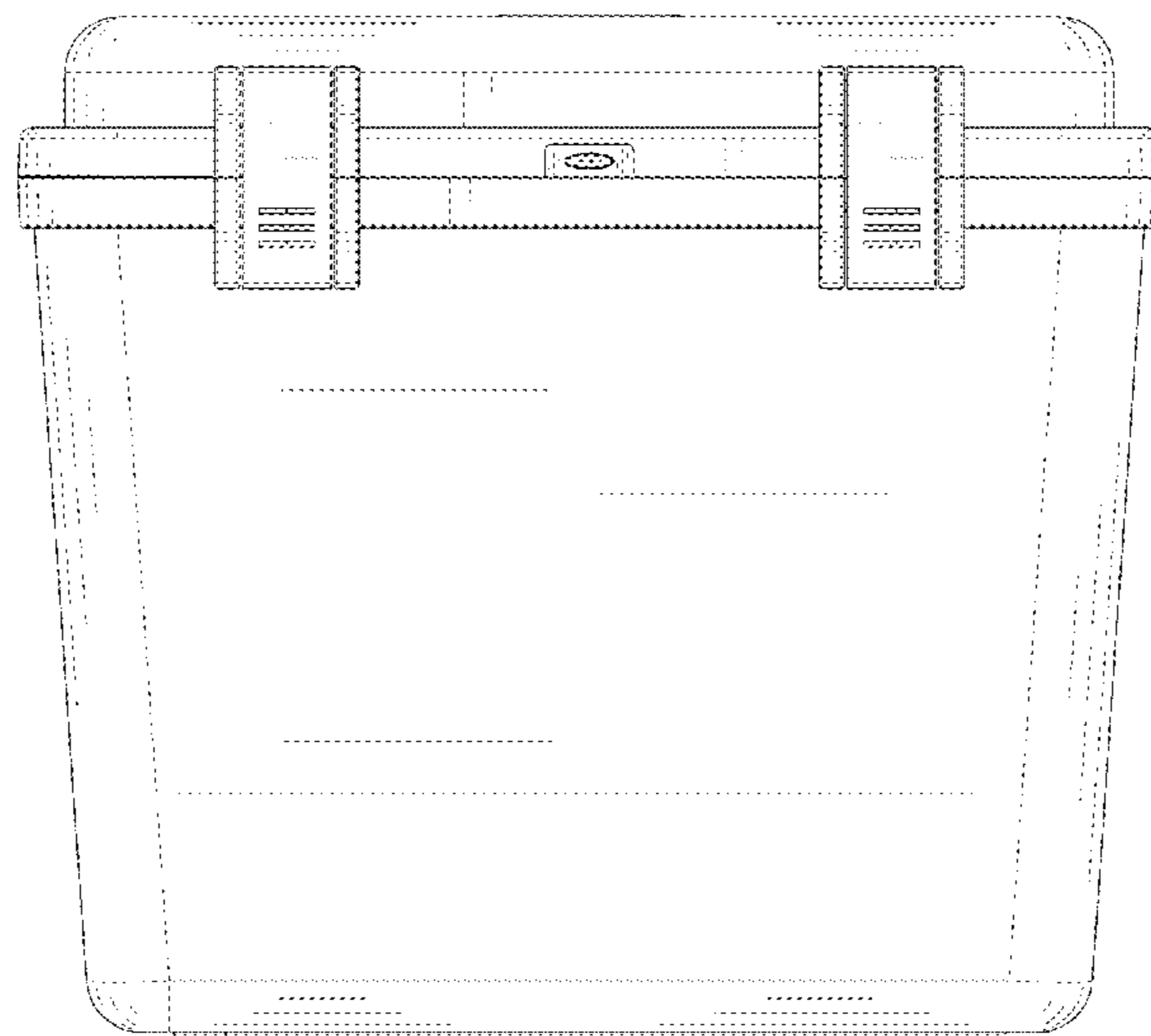
5,607,051 A * 3/1997 Espinosa B65D 85/12
206/256
D381,512 S * 7/1997 Green D3/273
D398,715 S * 9/1998 Descalzo D27/189
5,803,247 A * 9/1998 Holmes A24F 25/02
206/256
D399,598 S * 10/1998 Perkins D27/189
D400,299 S * 10/1998 Feldman D27/186
D409,329 S * 5/1999 Bucher D27/189
D409,793 S 5/1999 Sabol
D410,566 S 6/1999 Bartolotta
D416,105 S 11/1999 Garrison
5,975,288 A * 11/1999 Crowder A24F 25/02
206/242
D419,260 S 1/2000 Manzo, Jr.
D434,180 S 11/2000 Perkins

(Continued)

OTHER PUBLICATIONS

Bald Eagle Handmade Cigar Humidor By: Bald Eagle found on Amazon (Mar. 22, 2022) <https://www.amazon.com/Handmade-Humidor-Hygrometer-Humidifier-Front-Mount/dp/B07D7MF9G7> (Nov. 7, 2018).*

1 Claim, 18 Drawing Sheets



(56)

References Cited

U.S. PATENT DOCUMENTS

D577,928 S * 10/2008 Wong D6/407
D600,402 S * 9/2009 Chen
D612,095 S * 3/2010 Brown
7,892,327 B2 * 2/2011 Neff A24F 25/02
55/516
8,178,854 B1 * 5/2012 Elliott A61L 2/10
312/231
D736,519 S * 8/2015 Chui D3/276
D828,028 S * 9/2018 Seiders D3/294
D856,673 S * 8/2019 Stirnimann D3/273
D881,812 S * 4/2020 Yang D13/103
D910,912 S * 2/2021 Slate D27/189
D922,677 S 6/2021 Ziering
D922,678 S 6/2021 Ziering
D922,679 S 6/2021 Ziering
D929,733 S * 9/2021 Xiang D3/276
D938,161 S * 12/2021 Lateef D99/28
D941,523 S * 1/2022 Elkind D9/504
D943,823 S * 2/2022 Yang D27/189

* cited by examiner

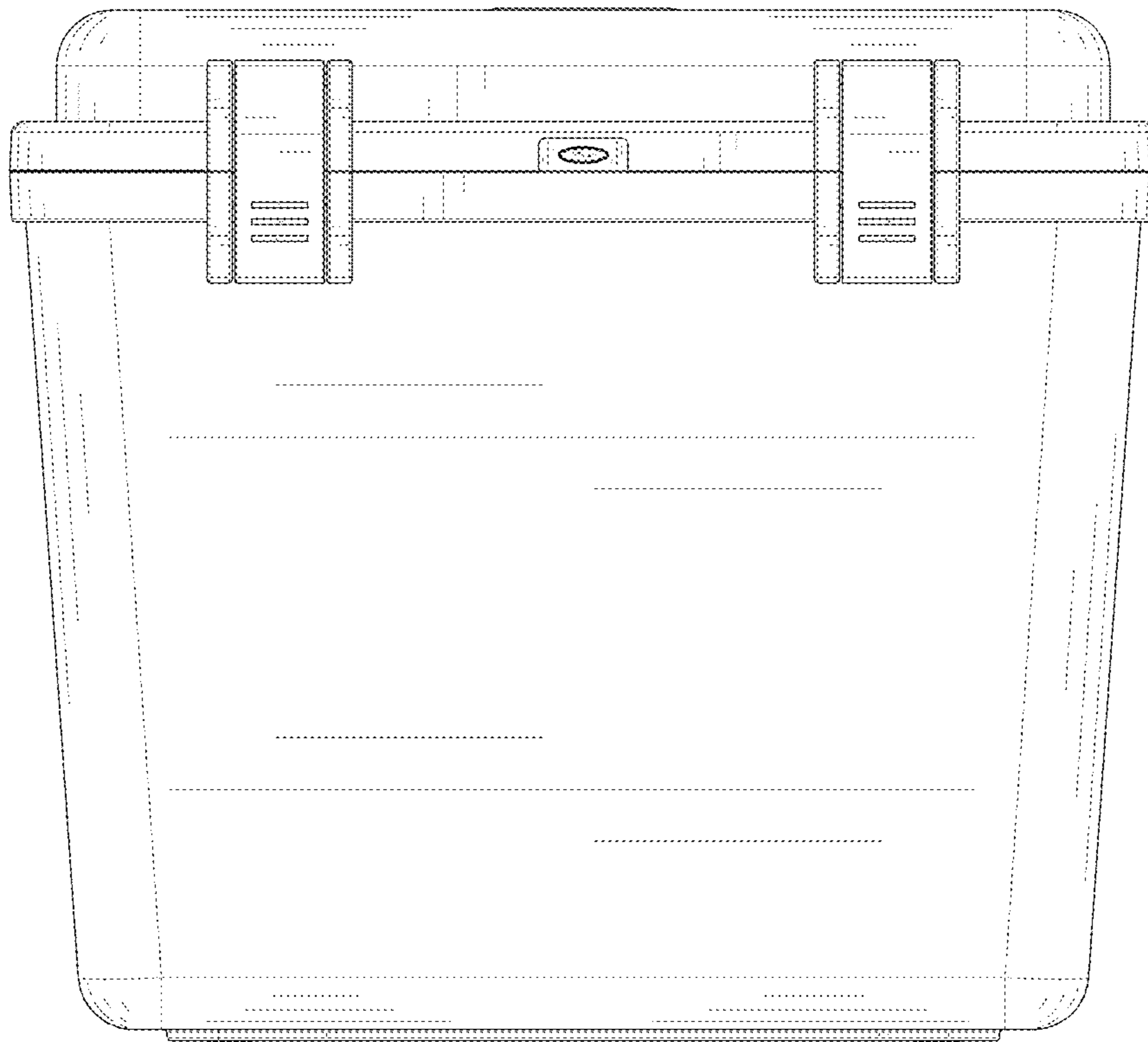


FIG. 1

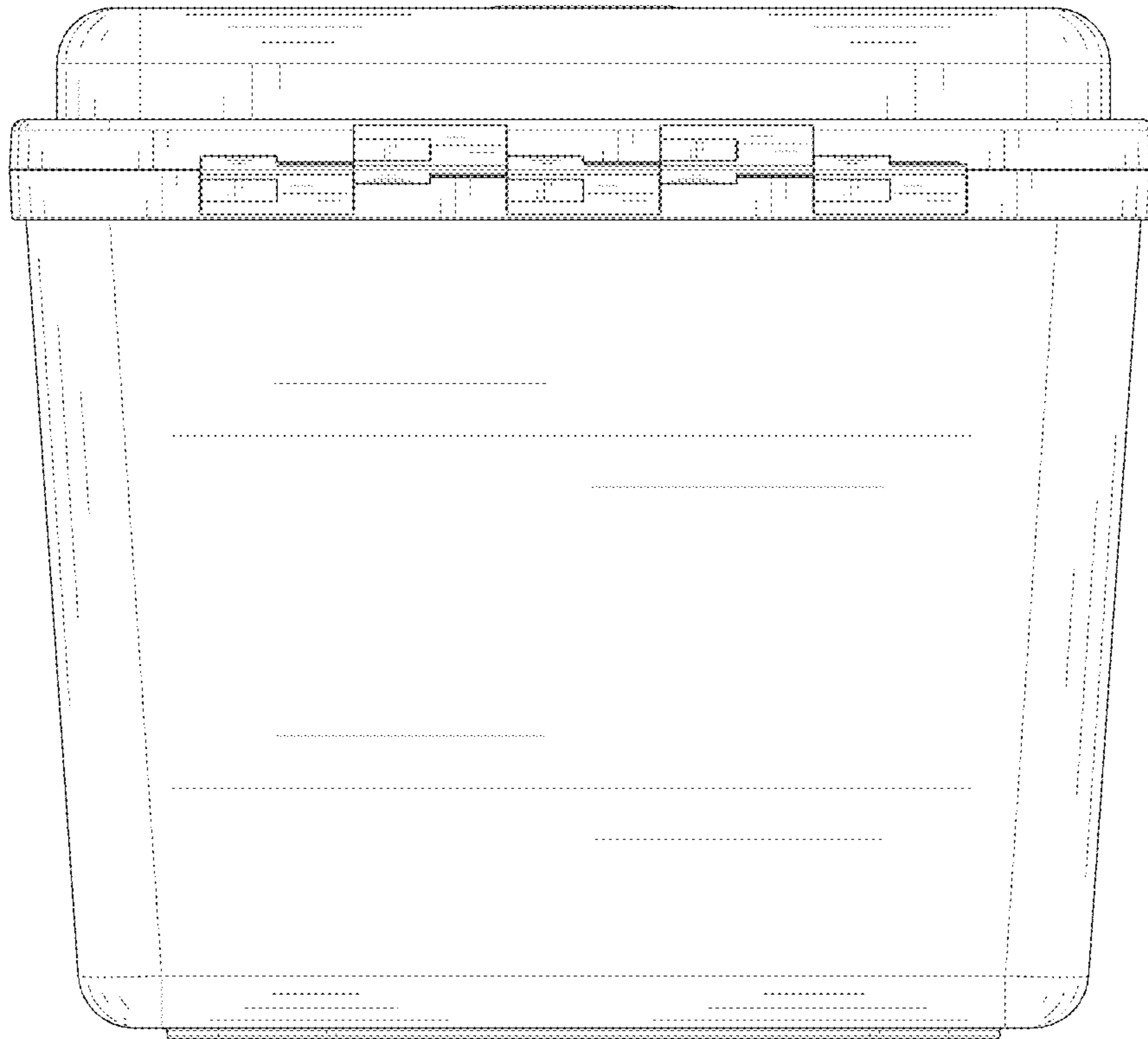


FIG. 2

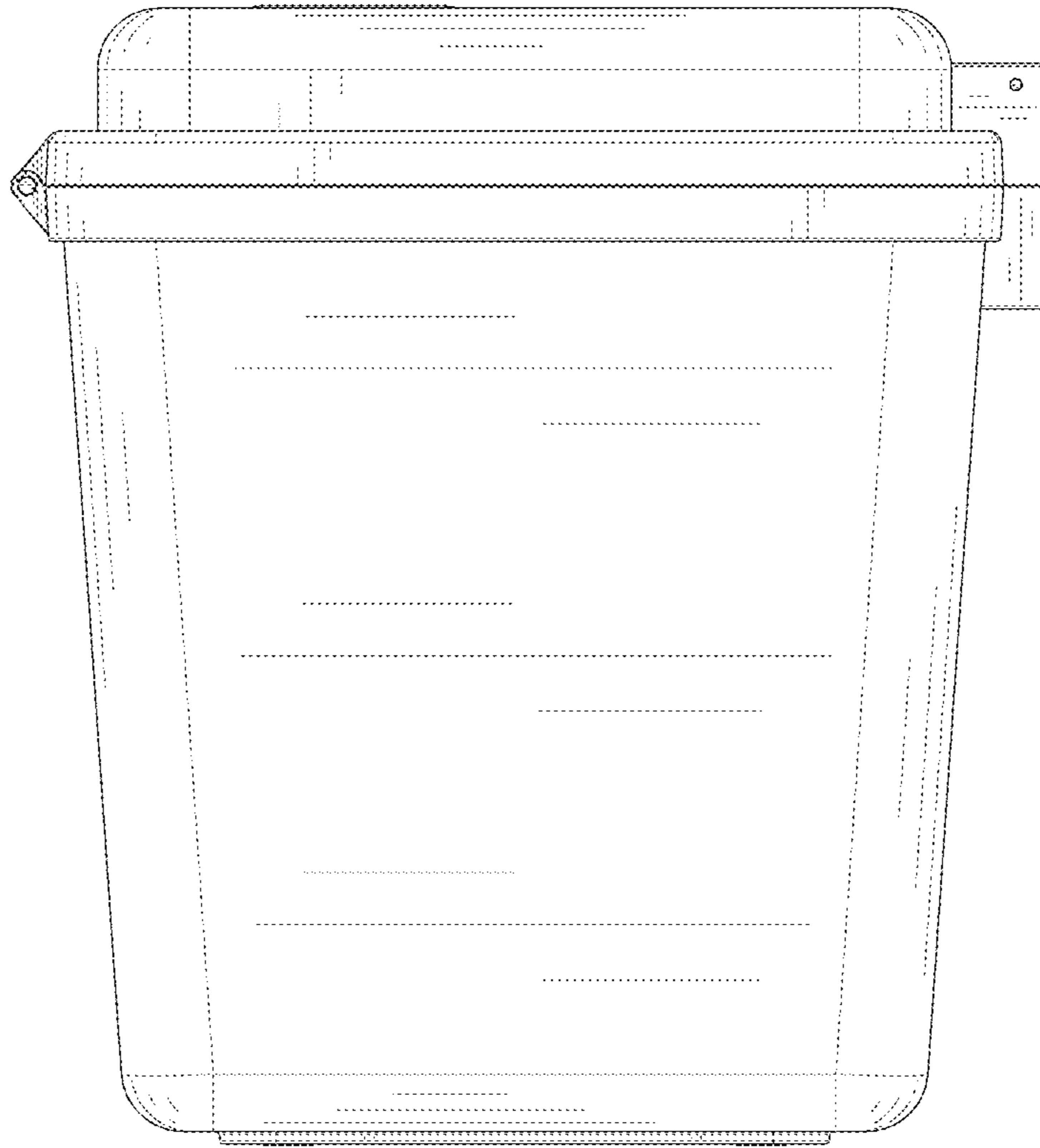


FIG. 3

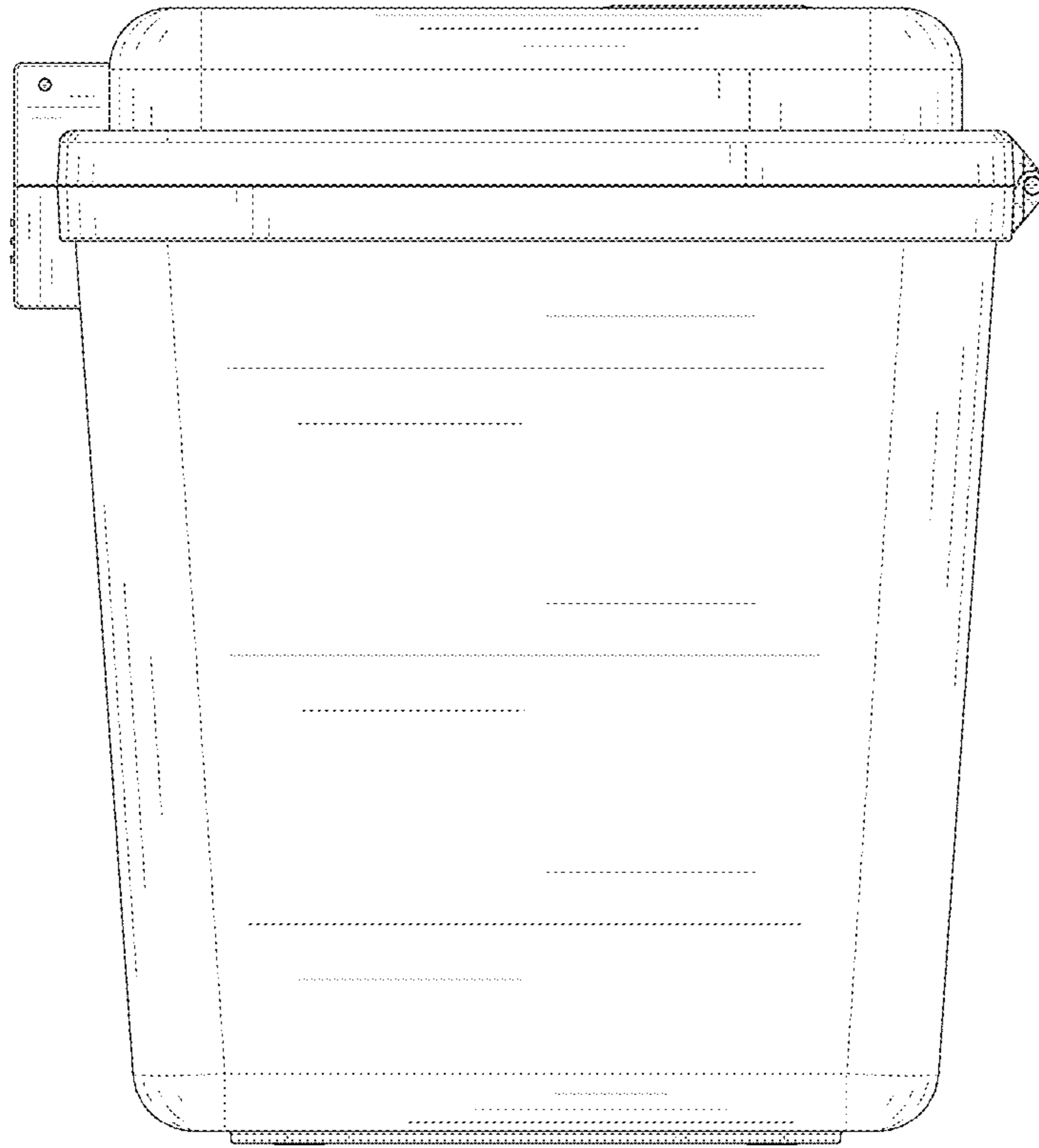


FIG.4

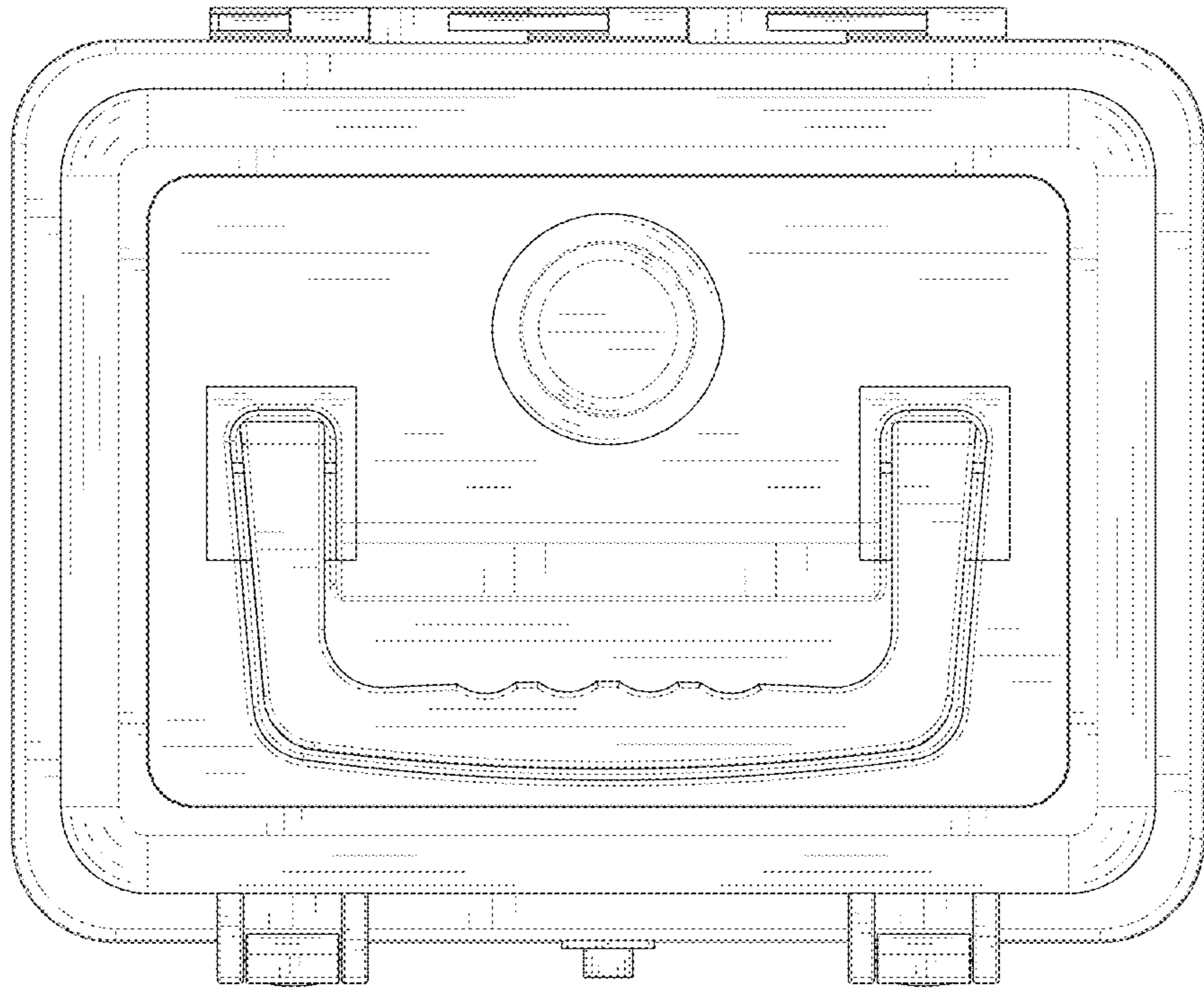


FIG. 5

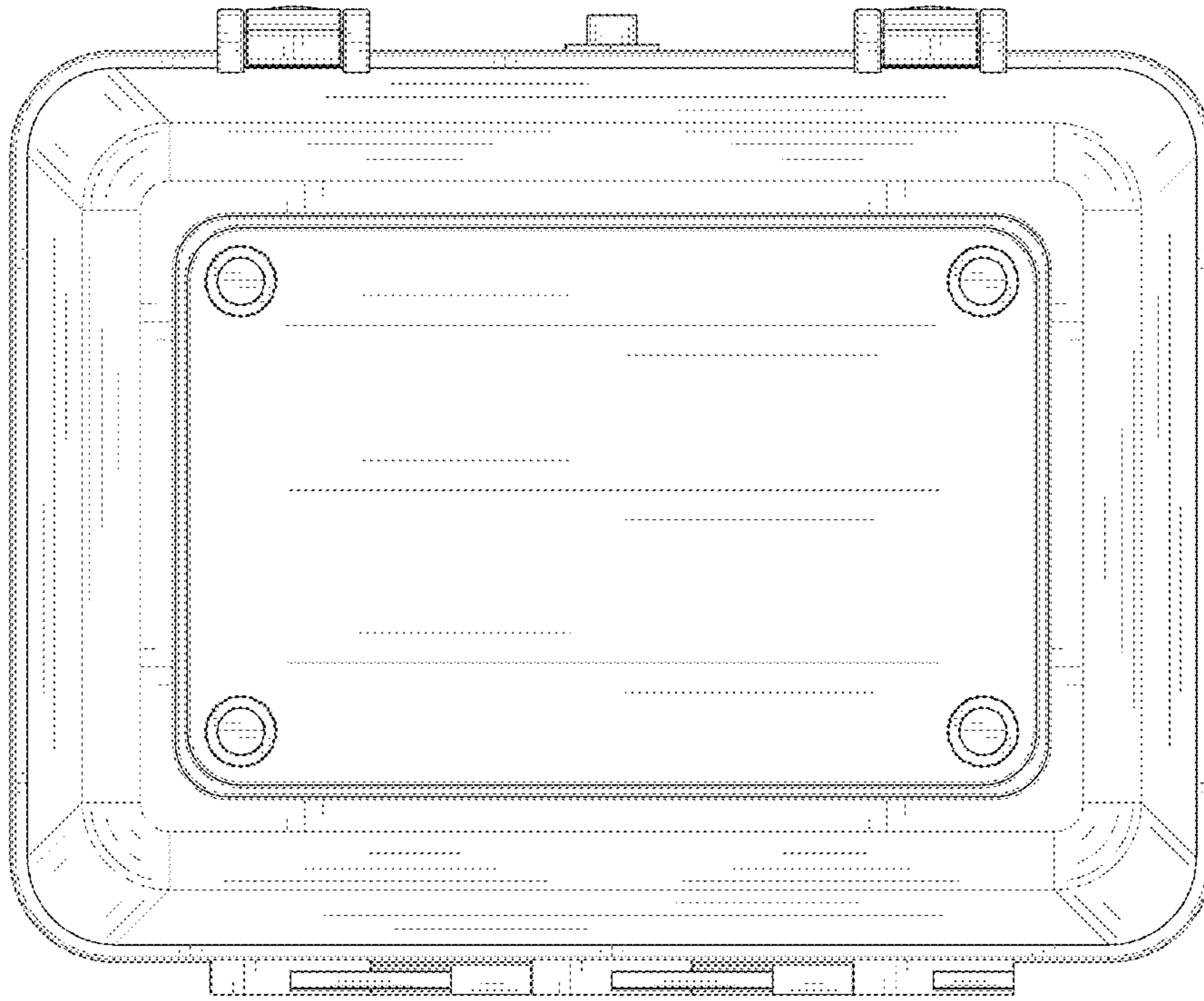


FIG. 6

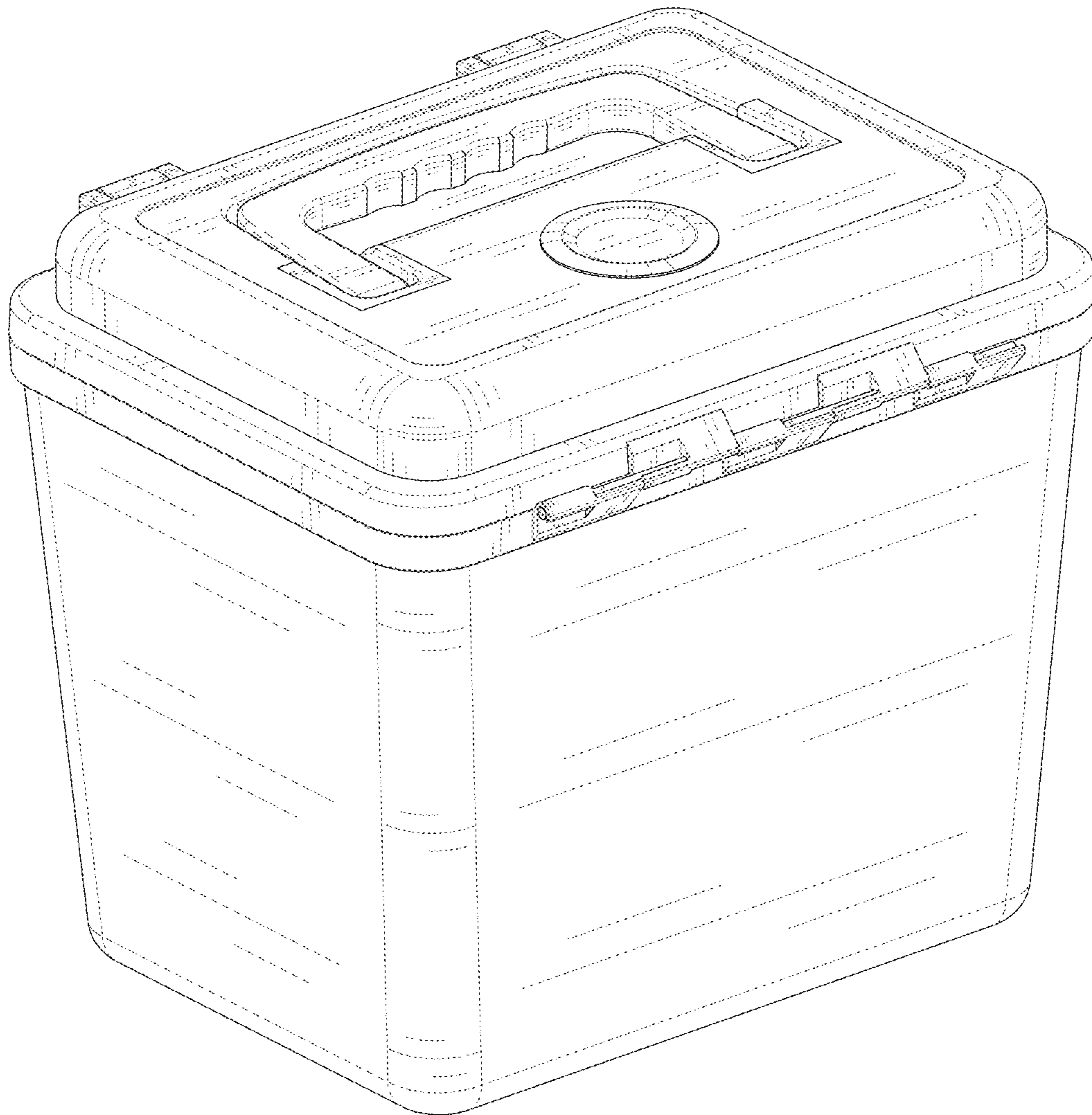


FIG. 7

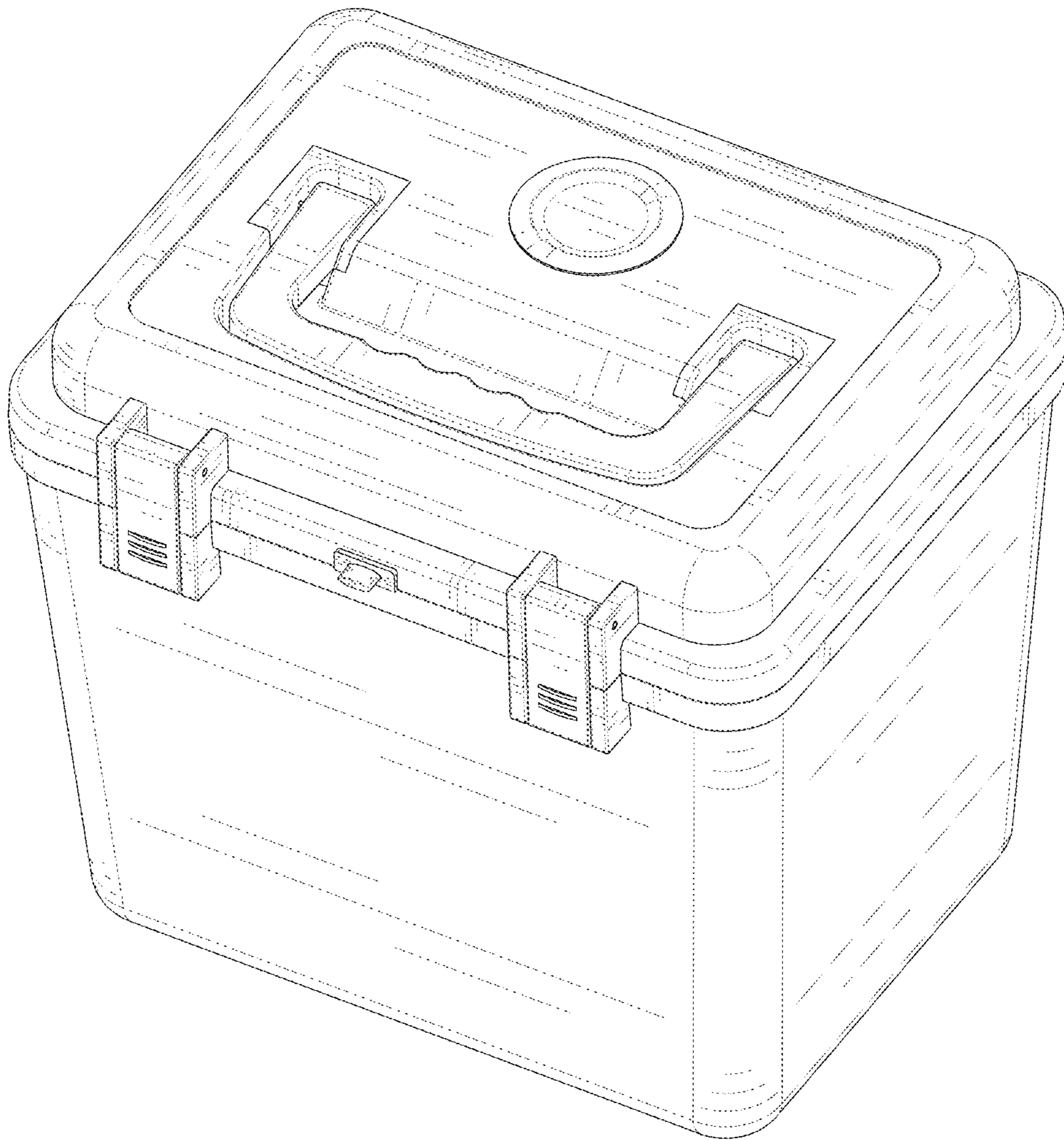


FIG. 8

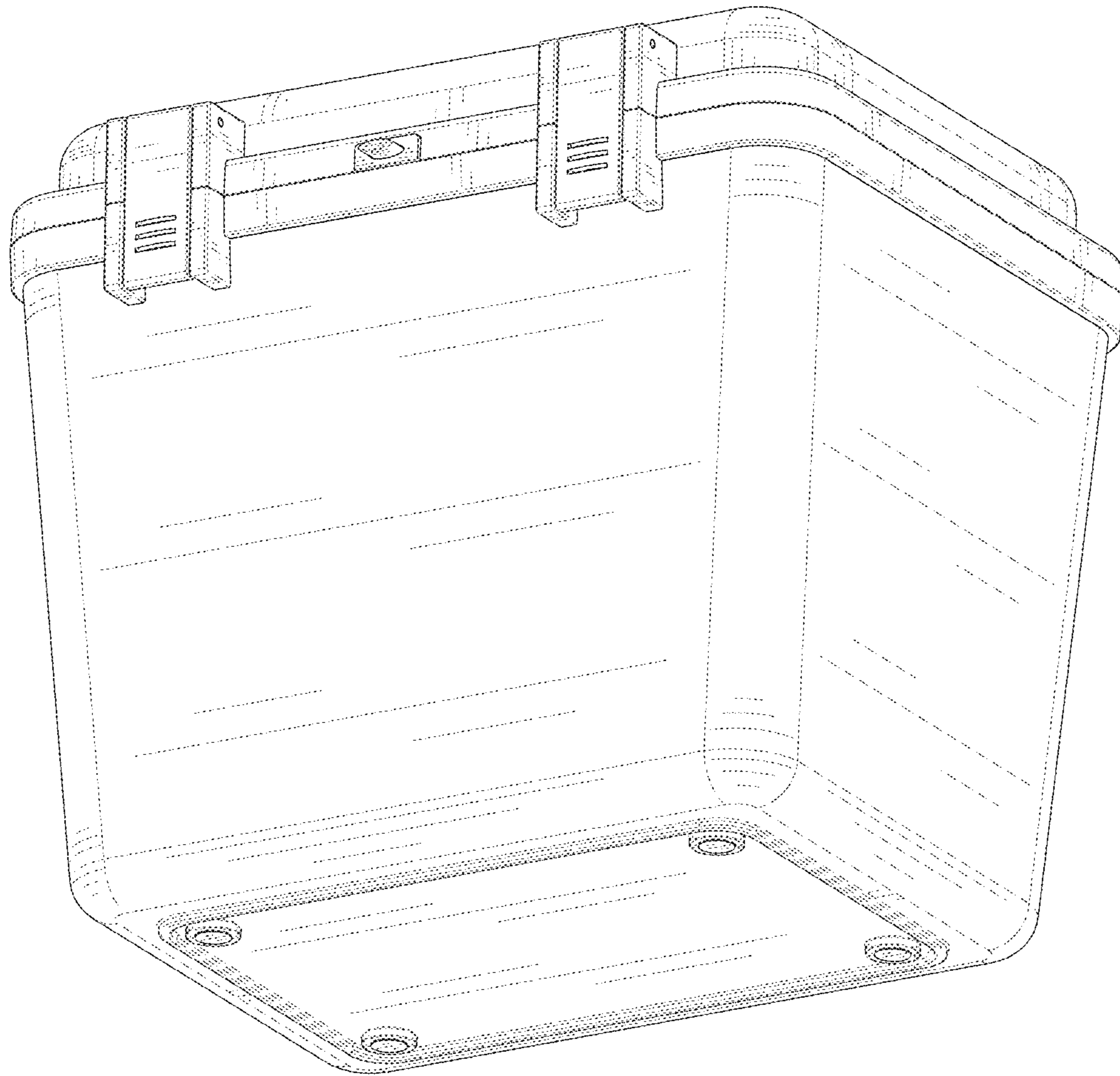


FIG. 9

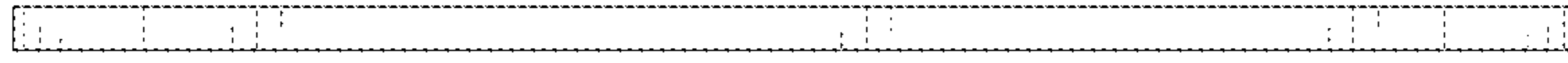


FIG. 10

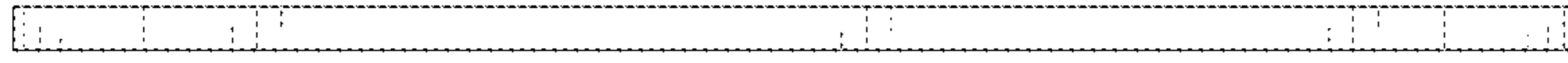


FIG. 11

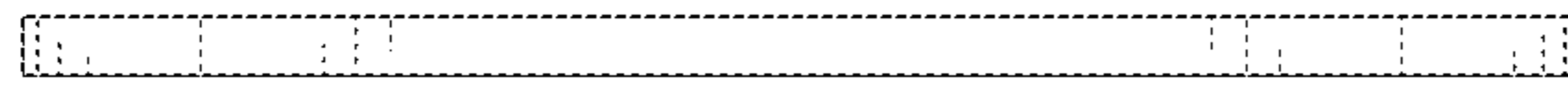


FIG. 12

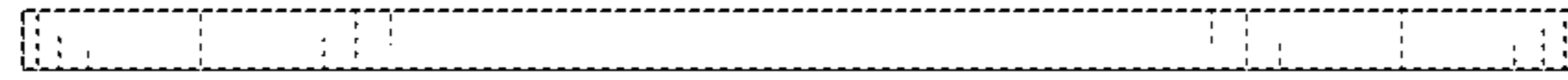


FIG. 13

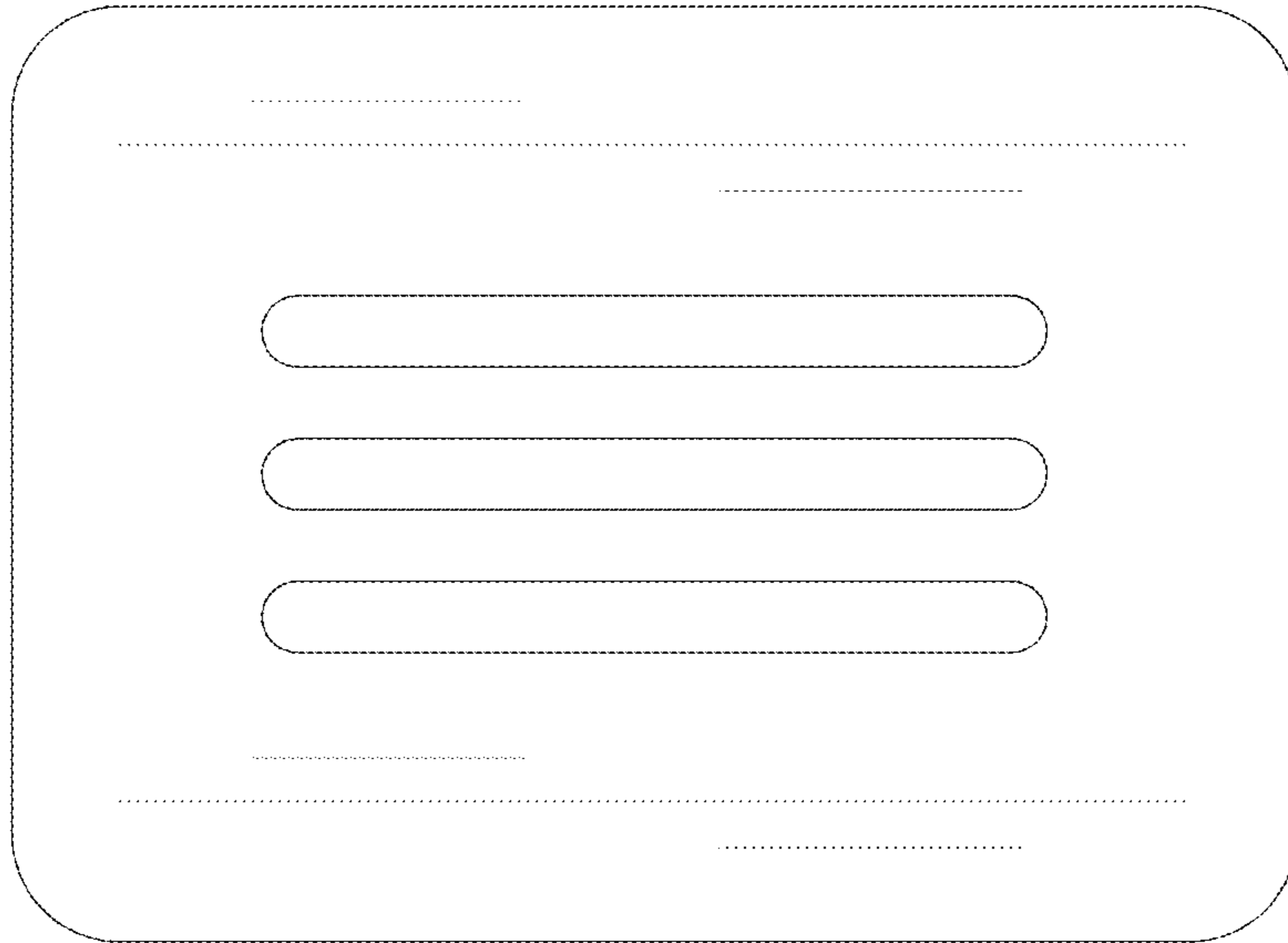


FIG. 14

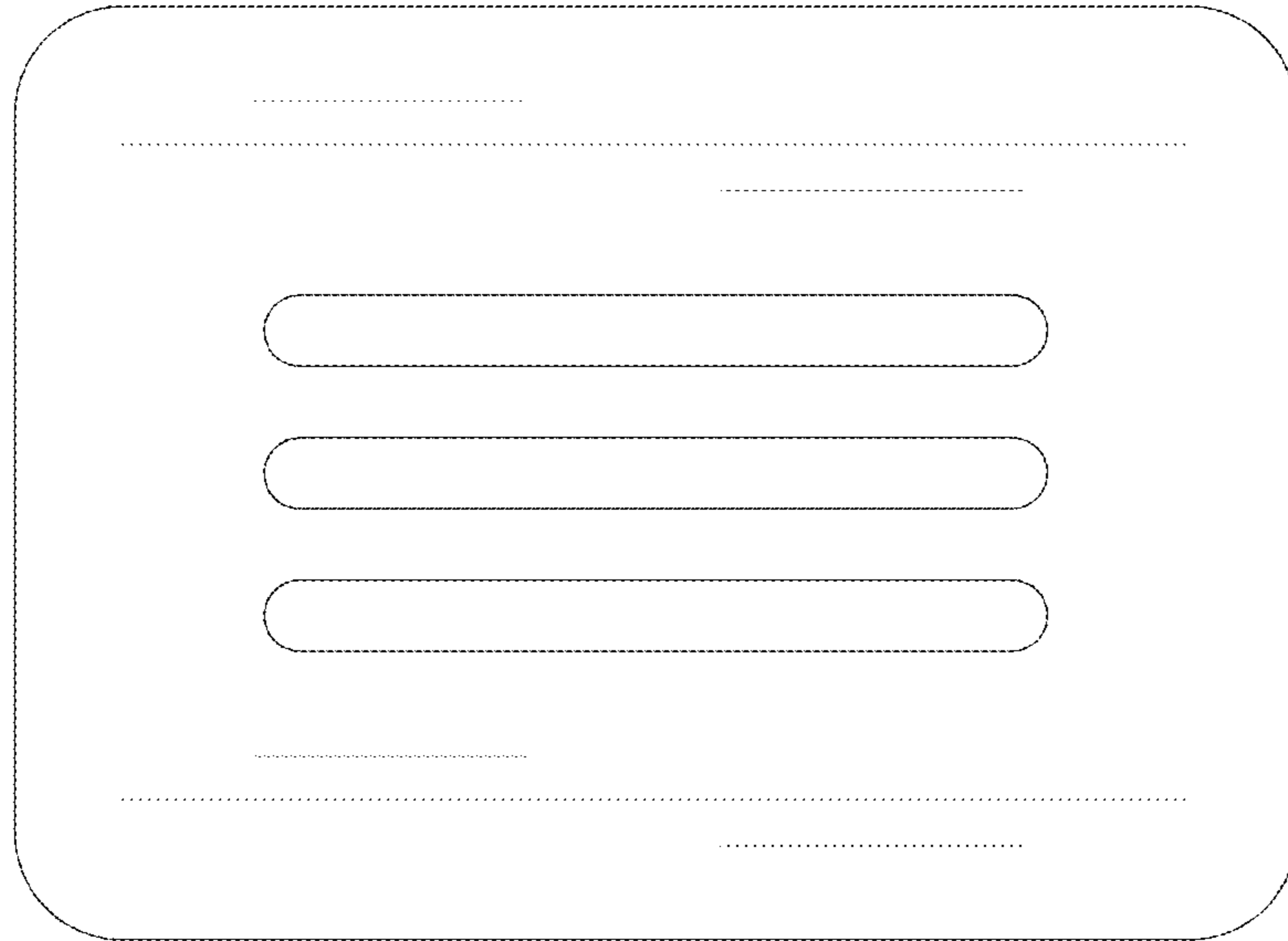


FIG. 15

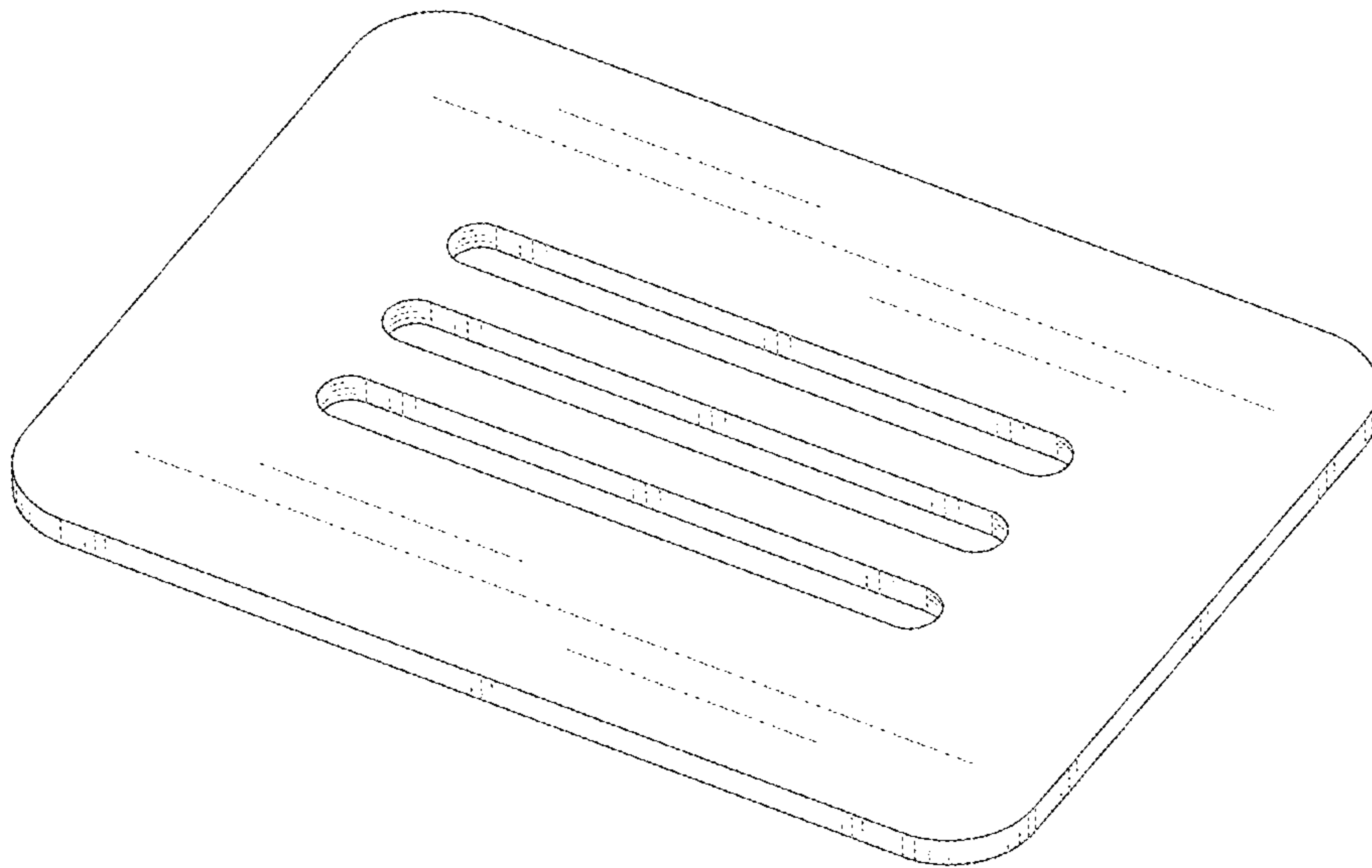


FIG. 16

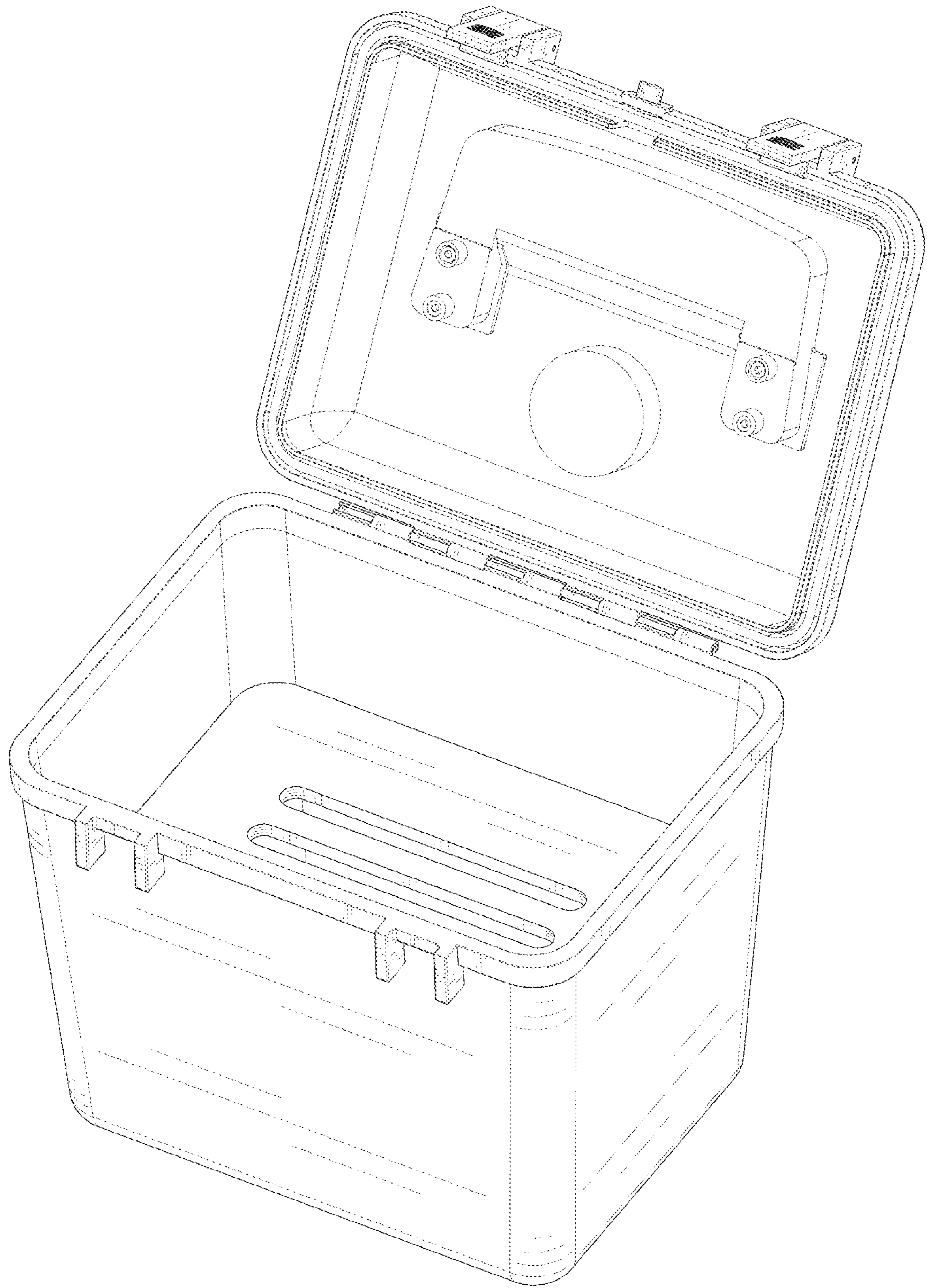


FIG. 17

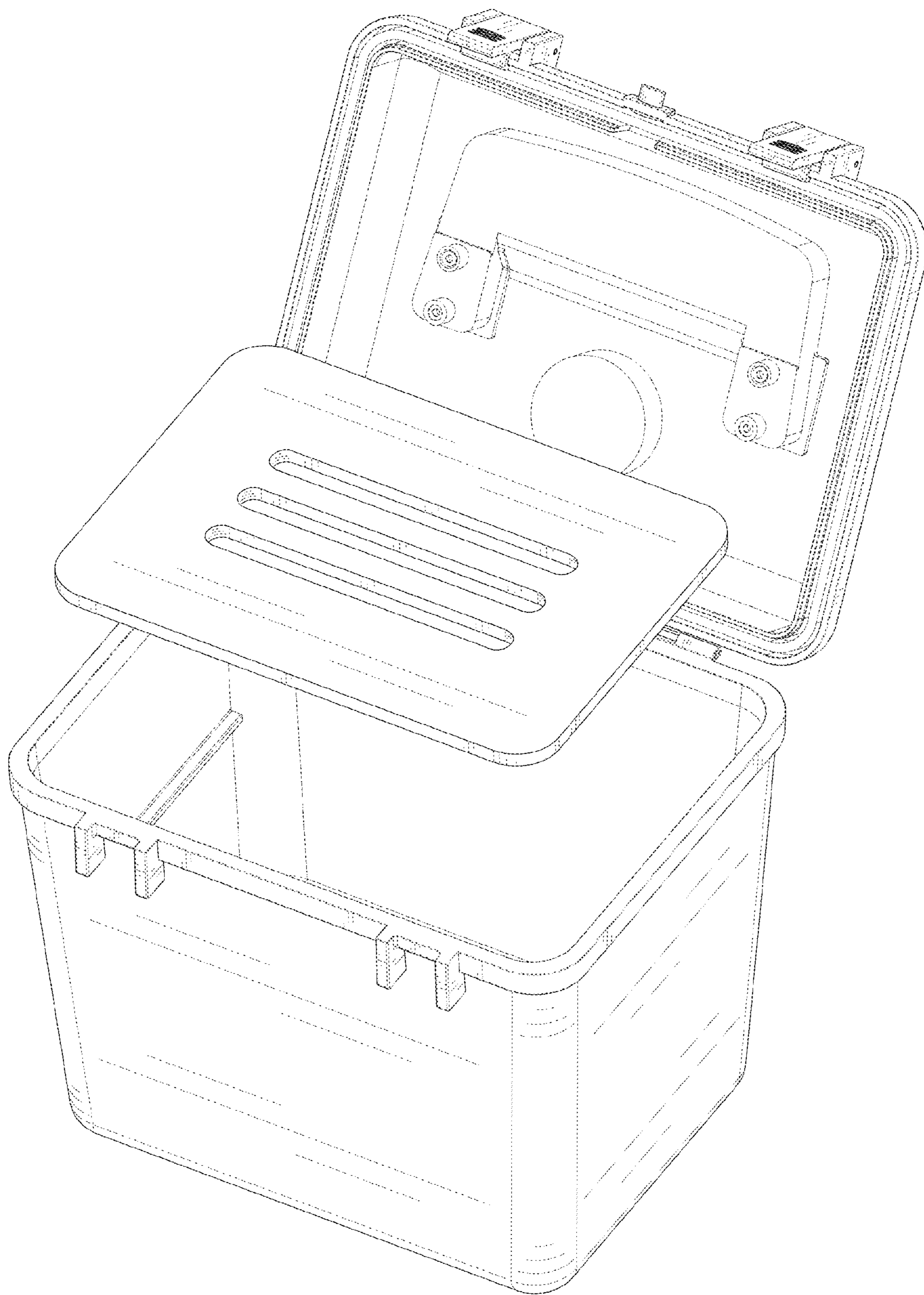


FIG. 18