



US00D957727S

(12) **United States Design Patent** (10) **Patent No.:** **US D957,727 S**
Gassenfeit et al. (45) **Date of Patent:** **** Jul. 12, 2022**

(54) **VAPORIZER** D802,111 S 11/2017 Storz
D808,073 S * 1/2018 Leidel D27/162
(71) Applicant: **CANOPY GROWTH** D814,007 S 3/2018 Storz
CORPORATION, Smiths Falls (CA) D821,640 S 6/2018 Qui
D828,953 S * 9/2018 Chen D27/167
(Continued)

(72) Inventors: **Roy Gassenfeit**, Zimmern (DE);
Markus Storz, Tuttlingen (DE)

FOREIGN PATENT DOCUMENTS

(73) Assignee: **CANOPY GROWTH** DE 10042396 6/2009
CORPORATION, Smiths Falls (CA) EP 1884254 2/2006
(Continued)

(**) Term: **15 Years**

OTHER PUBLICATIONS

(21) Appl. No.: **29/767,675**

Crifty Vaporizer By: Storz and Bickel found on line (May 10, 2022)
<https://www.planetofthevapes.com/products/crafty-plus-vaporizer#Reviews> (Apr. 6, 2020).*

(22) Filed: **Jan. 25, 2021**

(Continued)

(51) **LOC (13) Cl.** **27-02**

(52) **U.S. Cl.**
USPC **D27/162**

(58) **Field of Classification Search**
USPC D27/162, 100, 101, 163-165, 172,
D27/174-176, 183, 185-194; D24/110,
D24/110.5; D23/360, 363, 366
CPC A24F 47/002; A24F 47/006; A24F 47/008;
A61M 15/00; A61M 15/06
See application file for complete search history.

Primary Examiner — Rebecca Tsehaye

(74) *Attorney, Agent, or Firm* — Stinson LLP

(57) **CLAIM**

The ornamental design for a vaporizer, as shown and described.

DESCRIPTION

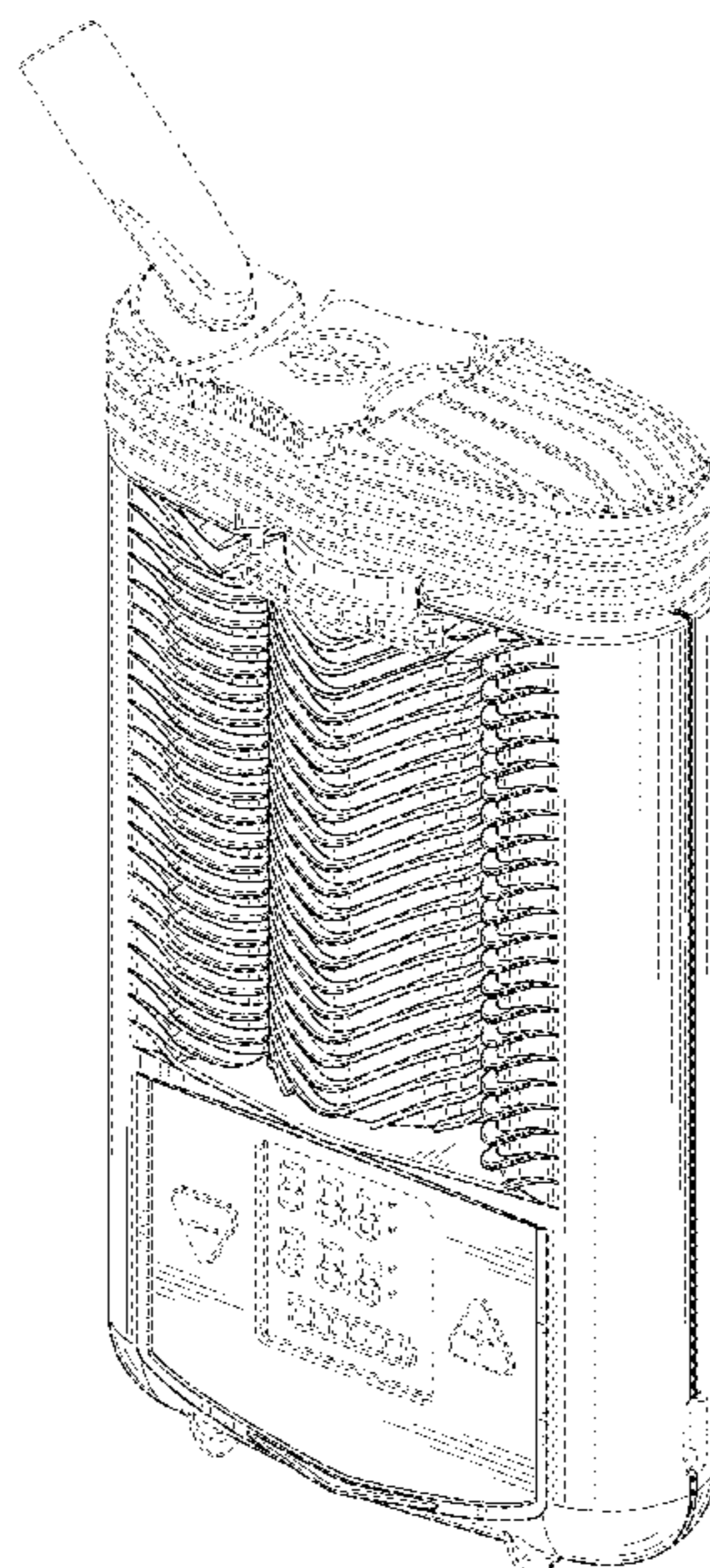
(56) **References Cited**

U.S. PATENT DOCUMENTS

6,513,524 B1 2/2003 Storz
D472,968 S * 4/2003 Christianson D23/364
D640,359 S * 6/2011 Irvin D23/366
D654,160 S * 2/2012 Yomtov D23/360
D721,432 S 1/2015 Storz
9,272,103 B2 3/2016 Storz
D769,520 S * 10/2016 Hua D27/167
D776,051 S * 1/2017 Wang D27/101
D788,363 S * 5/2017 Chen D27/163
D788,364 S * 5/2017 Chen D27/163
D801,507 S * 10/2017 Kelnhofer D27/141

FIG. 1 is a perspective view of the vaporizer;
FIG. 2 is a front elevational view of the vaporizer of FIG. 1;
FIG. 3 is a rear elevational view of the vaporizer of FIG. 1;
FIG. 4 is a left side elevational view of the vaporizer of FIG. 1;
FIG. 5 is a right side elevational view of the vaporizer of FIG. 1;
FIG. 6 is a top plan view of the vaporizer of FIG. 1; and,
FIG. 7 is a bottom plan view of the vaporizer of FIG. 1.
The broken lines in the drawings illustrate portions of the vaporizer that form no part of the claimed design.

1 Claim, 5 Drawing Sheets



(56)

References Cited

U.S. PATENT DOCUMENTS

D842,237	S	*	3/2019	Qiu	D27/101
D842,238	S	*	3/2019	Qiu	D27/101
D881,459	S	*	4/2020	Ouyang	D27/162
D889,740	S	*	7/2020	Beer	D27/194
D906,954	S	*	1/2021	Ouyang	D27/101
D943,158	S	*	2/2022	Belisle	D27/162
D943,808	S	*	2/2022	Gassenfeit	D27/162
2013/0032641	A1	*	2/2013	Muderlak	A61L 9/12 239/34

FOREIGN PATENT DOCUMENTS

EP	2599513	6/2011
EP	2599514	6/2011

OTHER PUBLICATIONS

U.S. Appl. No. 29/711,249, filed Oct. 20, 2019, Gassenfeit.
Puffitup, Crafty, on sale prior to Oct. 29, 2018, <https://www.puffitup.com/Crafty-Vaporizer-p/vol.craft.htm>. (12 pgs).
YouTube screenshots from, "How to use the Crafty Vaporizer", by Storz and Bickel, Aug. 31, 2015, Found on the internet on Jan. 5, 2021 (5 pgs).
Non-Final Office Action dated Jan. 27, 2021 to U.S. Appl. No. 29/711,249, filed Oct. 29, 2019 (11 pgs).

* cited by examiner

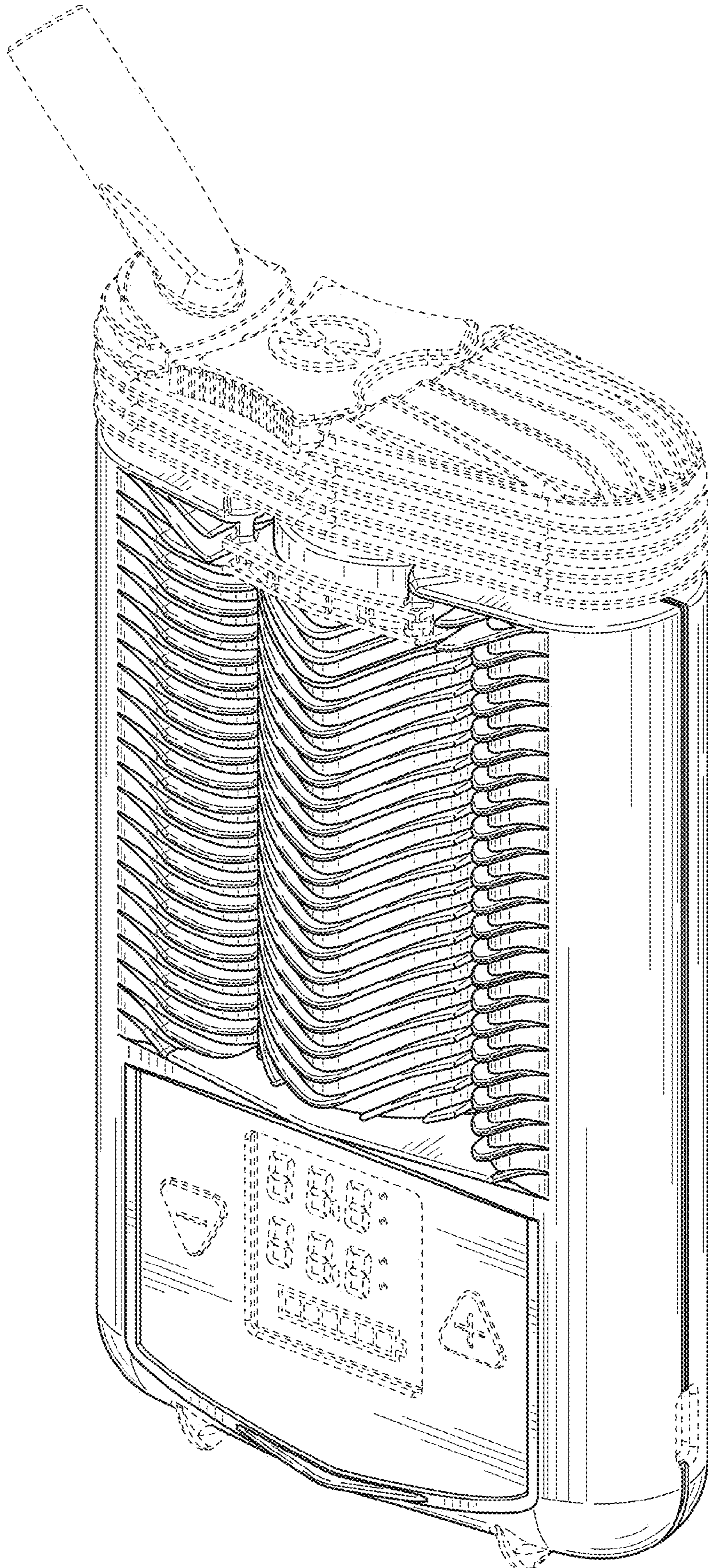


FIG. 1

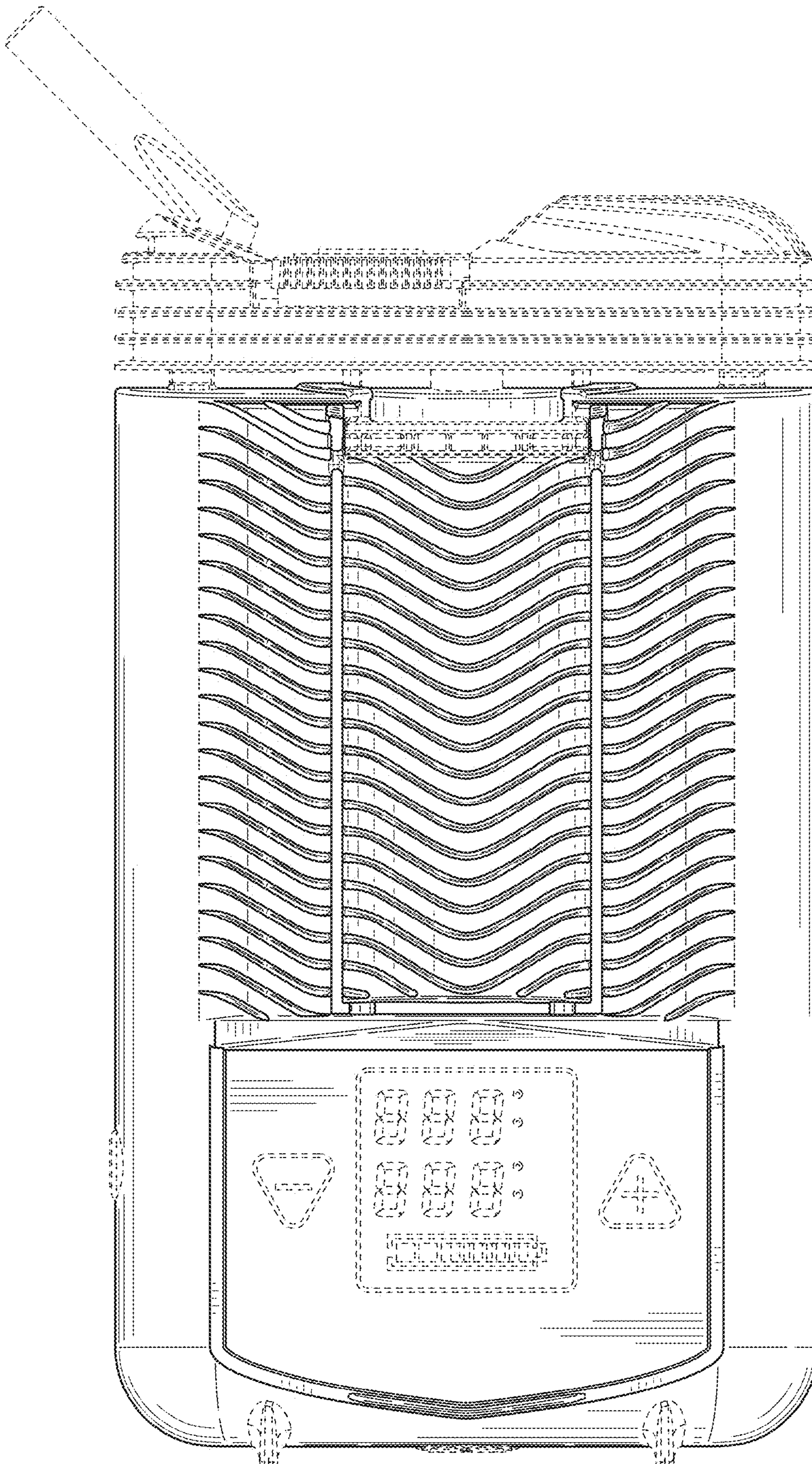


FIG. 2

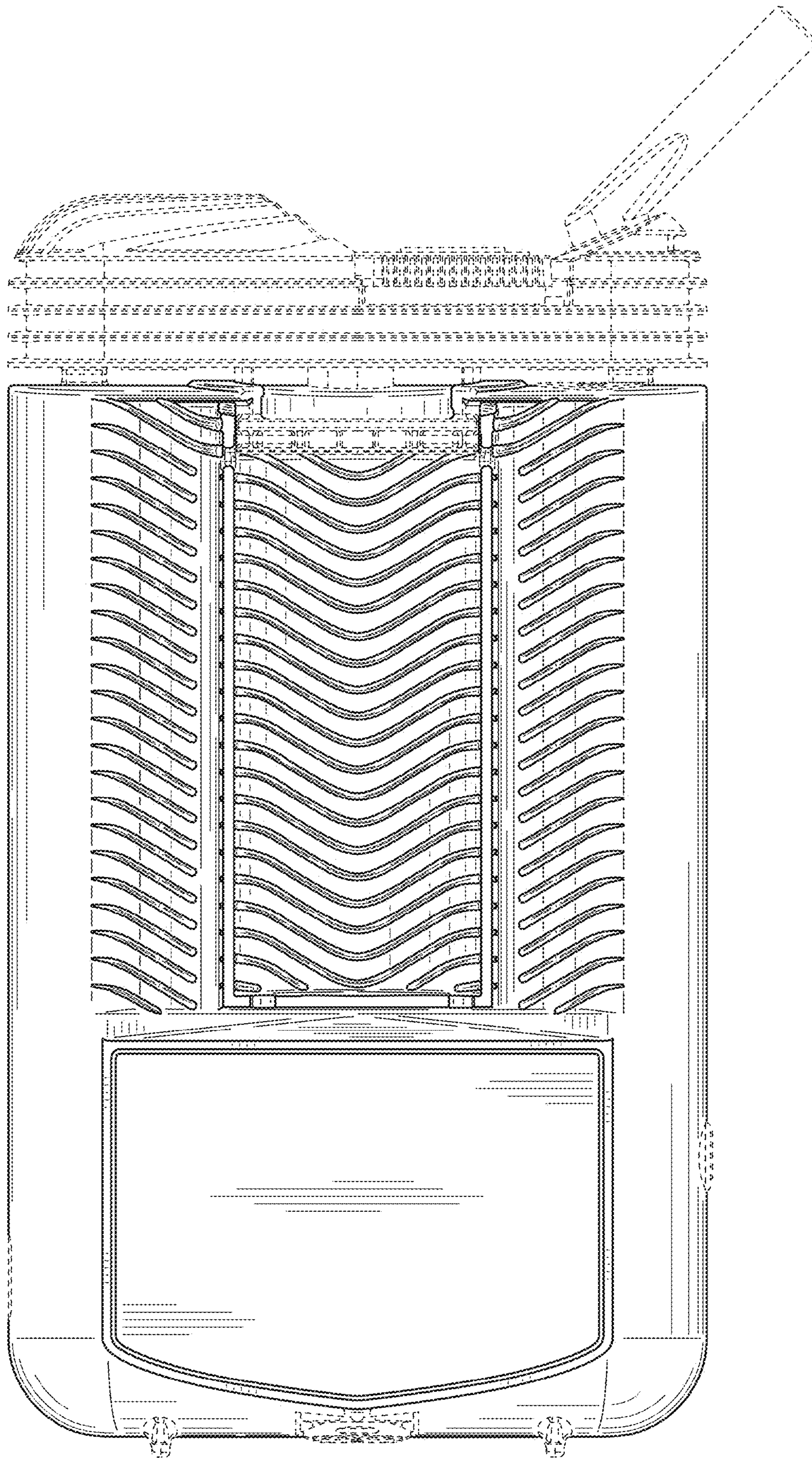


FIG. 3

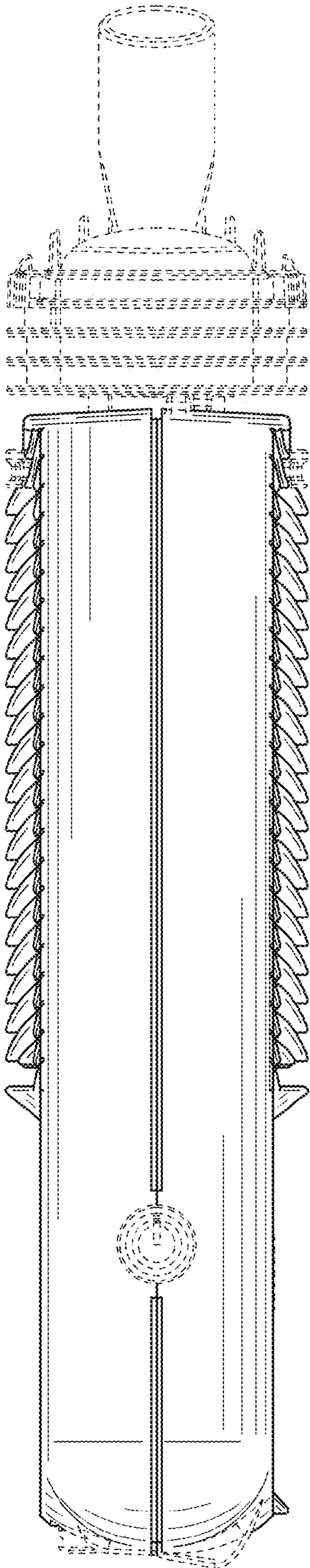


FIG. 4

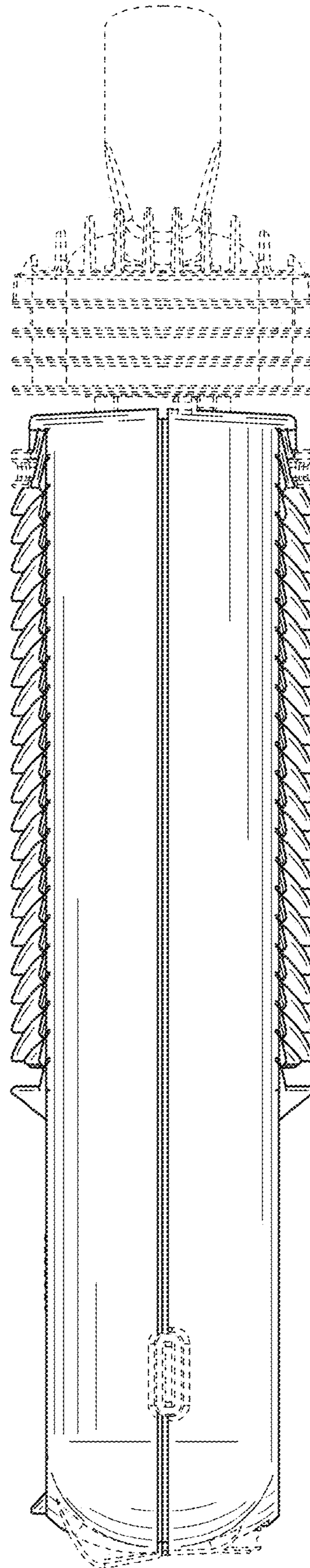


FIG. 5

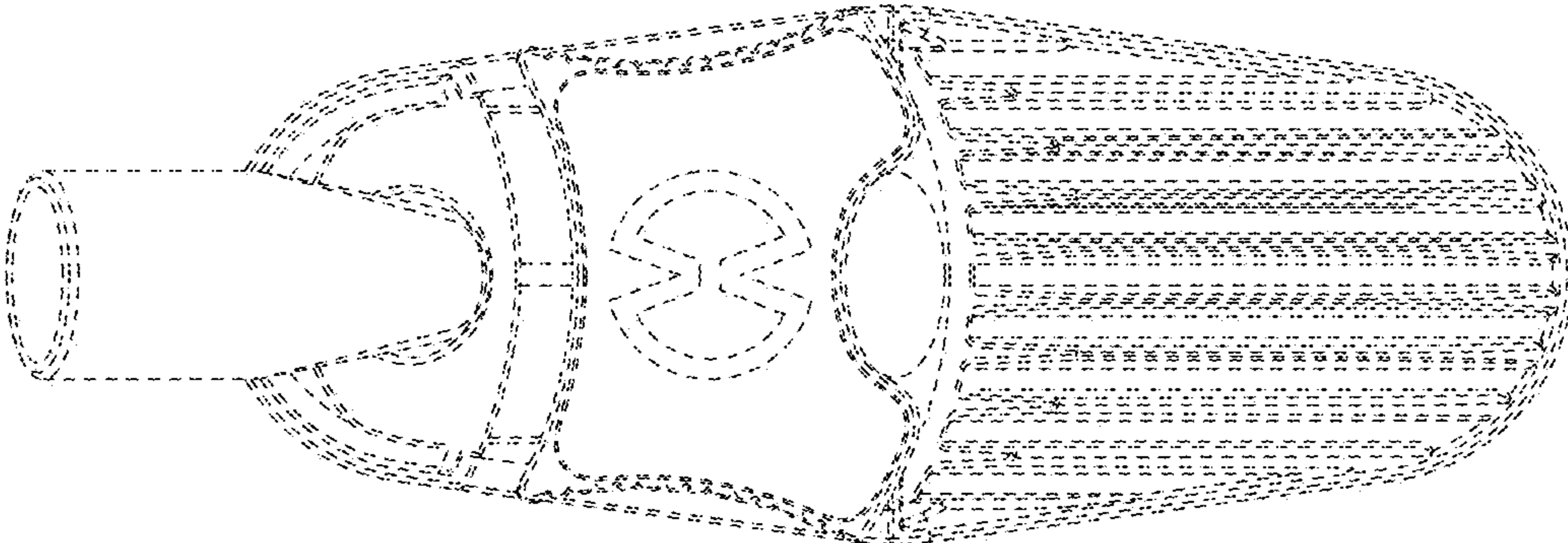


FIG. 6

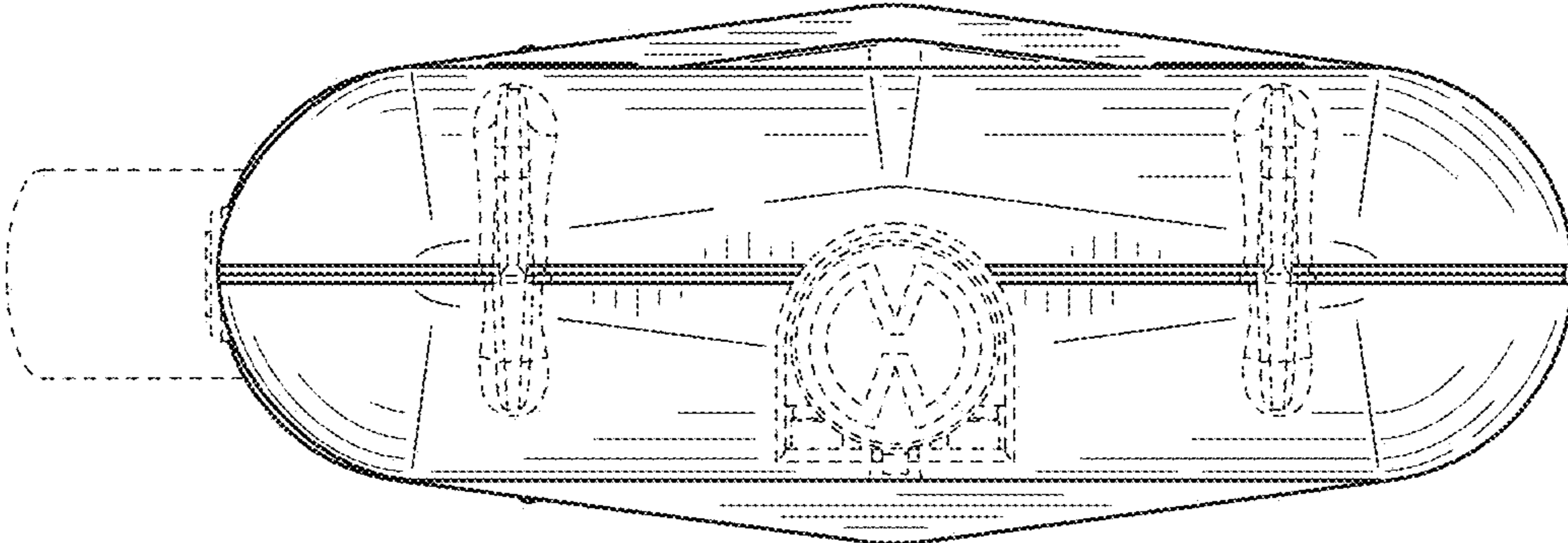


FIG. 7