



US00D957726S

(12) **United States Design Patent**
Liu et al.

(10) **Patent No.:** **US D957,726 S**
(45) **Date of Patent:** **** Jul. 12, 2022**

- (54) **ATOMIZER**
- (71) Applicant: **Shenzhen Smoore Technology Limited**, Shenzhen (CN)
- (72) Inventors: **Yu Liu**, Shenzhen (CN); **You Shi**, Shenzhen (CN); **Baosheng Lai**, Shenzhen (CN)
- (73) Assignee: **SHENZHEN SMOORE TECHNOLOGY LIMITED**, Shenzhen (CN)
- (**) Term: **15 Years**
- (21) Appl. No.: **29/754,995**
- (22) Filed: **Oct. 16, 2020**

Related U.S. Application Data

- (63) Continuation of application No. 29/748,575, filed on Aug. 31, 2020.

(30) **Foreign Application Priority Data**

May 19, 2020 (CN) 202030231809.1

- (51) **LOC (13) Cl.** **27-02**

- (52) **U.S. Cl.**
USPC **D27/162**

- (58) **Field of Classification Search**
USPC D27/162, 100, 101, 163–165, 167, 169, D27/172–176, 185–194; D24/110, 110.5; D23/356, 360, 363, 366; D13/103, 107, D13/108

CPC A24F 47/002; A24F 47/006; A24F 47/008; A61M 15/00; A61M 15/06
See application file for complete search history.

(56) **References Cited**

U.S. PATENT DOCUMENTS

- D870,368 S * 12/2019 Leon Duque D27/162
- D875,305 S * 2/2020 Lai D27/167

- D875,306 S * 2/2020 Pan D27/167
- D893,094 S * 8/2020 Wang D27/162
- D900,385 S * 10/2020 Wang D27/162
- D900,386 S * 10/2020 Wang D27/162
- D902,473 S * 11/2020 Li D27/101
- D902,480 S * 11/2020 Chen D27/194
- D908,279 S * 1/2021 Li D27/162
- D911,600 S * 2/2021 Chen D27/162

(Continued)

Primary Examiner — Rebecca Tsehaye

(57) **CLAIM**

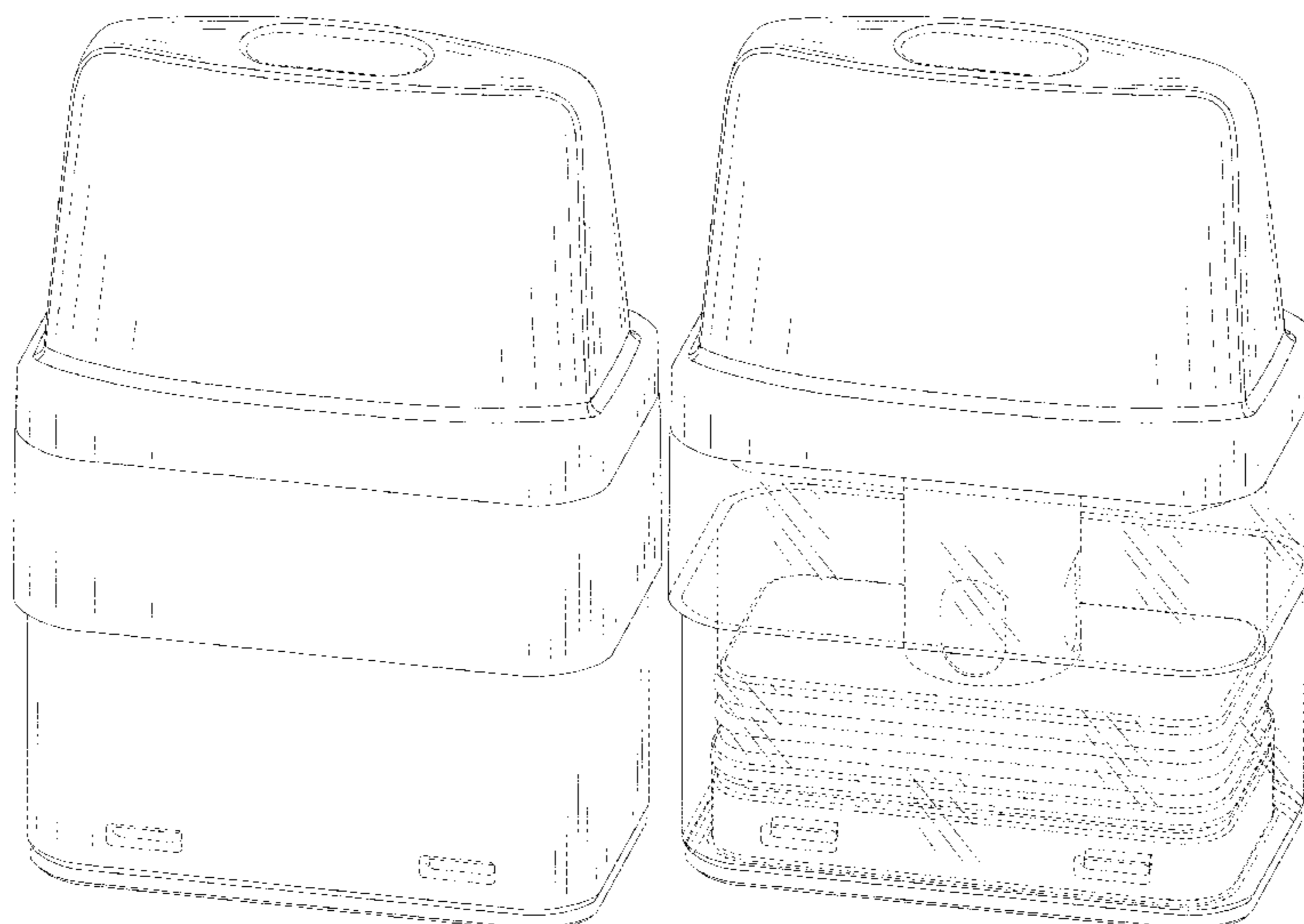
The ornamental design for the atomizer, as shown and described.

DESCRIPTION

FIG. 1 is a perspective view of an atomizer according to a first embodiment;
 FIG. 2 is another perspective view thereof;
 FIG. 3 is a front elevational view thereof;
 FIG. 4 is a rear elevational view thereof;
 FIG. 5 is a left side elevational view thereof;
 FIG. 6 is a right side elevational view thereof;
 FIG. 7 is a top plan view thereof;
 FIG. 8 is a bottom plan view thereof;
 FIG. 9 is a perspective view of an atomizer according to a second embodiment;
 FIG. 10 is another perspective view thereof;
 FIG. 11 is a front elevational view thereof;
 FIG. 12 is a rear elevational view thereof;
 FIG. 13 is a left side elevational view thereof;
 FIG. 14 is a right side elevational view thereof;
 FIG. 15 is a top plan view thereof; and,
 FIG. 16 is a bottom plan view thereof.

The broken lines in the drawings depict portions of the atomizer that form no part of the claimed design.
 The oblique shaded lines in the drawings depict portions of the atomizer that are transparent.

1 Claim, 16 Drawing Sheets



(56)

References Cited

U.S. PATENT DOCUMENTS

D914,276 S *	3/2021	Lai	D27/162
D918,467 S *	5/2021	Wang	D27/162
D923,240 S *	6/2021	Wang	D27/162
D923,864 S *	6/2021	Carlberg	D27/162
D927,772 S *	8/2021	Han	D27/162
D928,394 S *	8/2021	Jones	D27/162
D929,034 S *	8/2021	Li	D27/162
D929,648 S *	8/2021	Wang	D27/162
D930,236 S *	9/2021	Fornarelli	D27/167
D932,094 S *	9/2021	Laidlaw	D27/162
D933,285 S *	10/2021	Wang	D27/162
D933,286 S *	10/2021	Weiss	D27/162
D934,491 S *	10/2021	Han	D27/162
D937,477 S *	11/2021	Li	D27/162

* cited by examiner

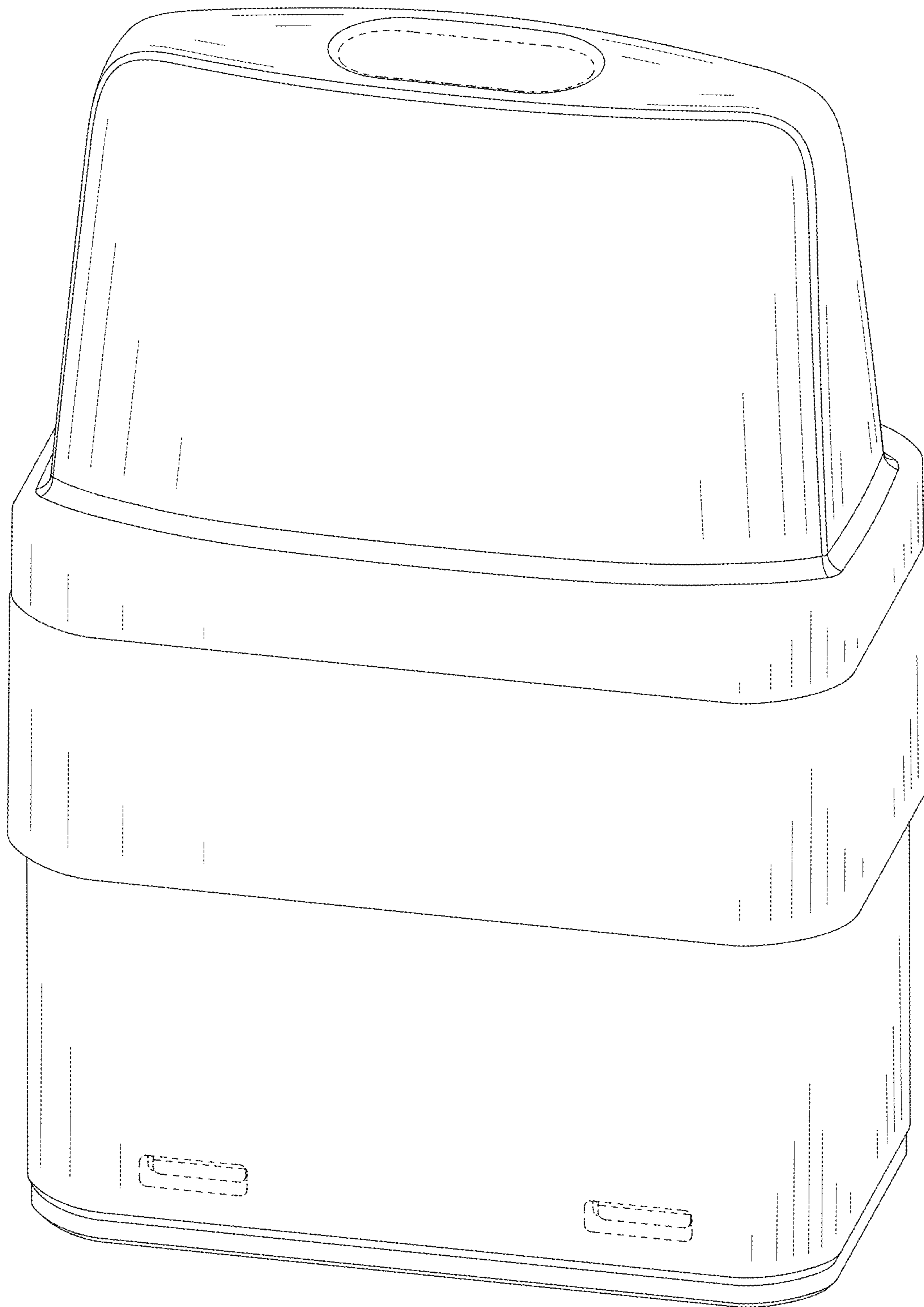


FIG. 1

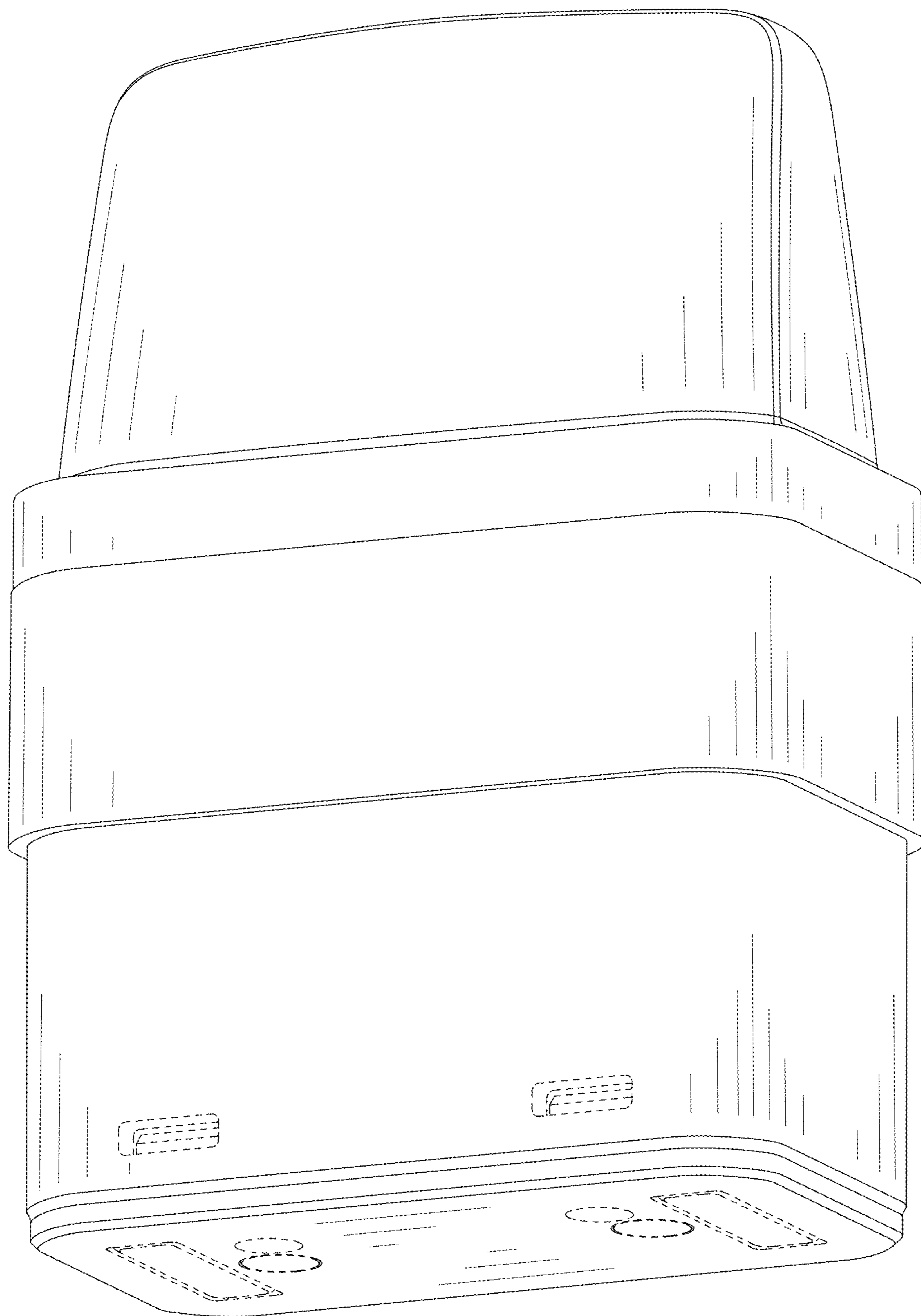


FIG. 2

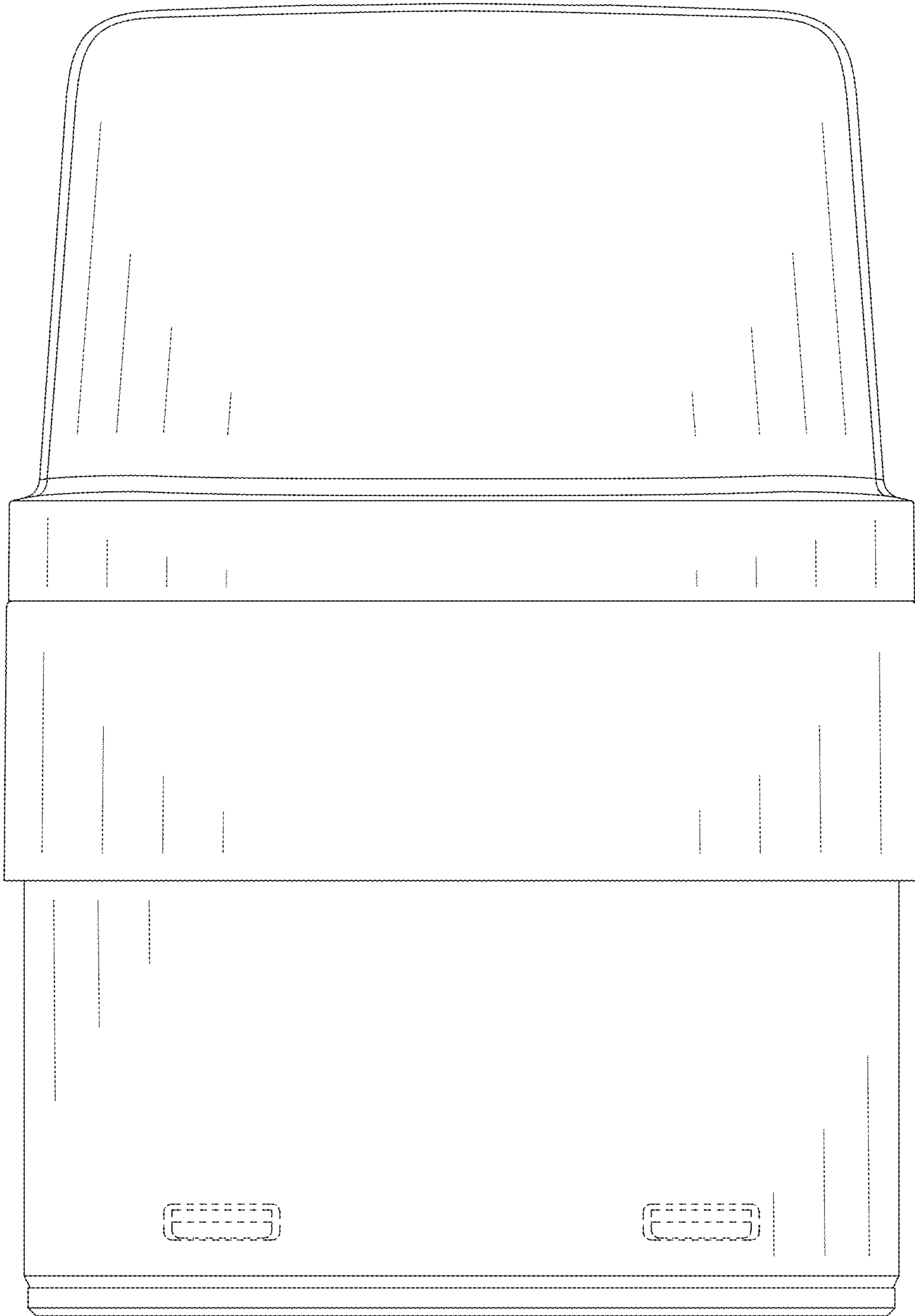


FIG. 3

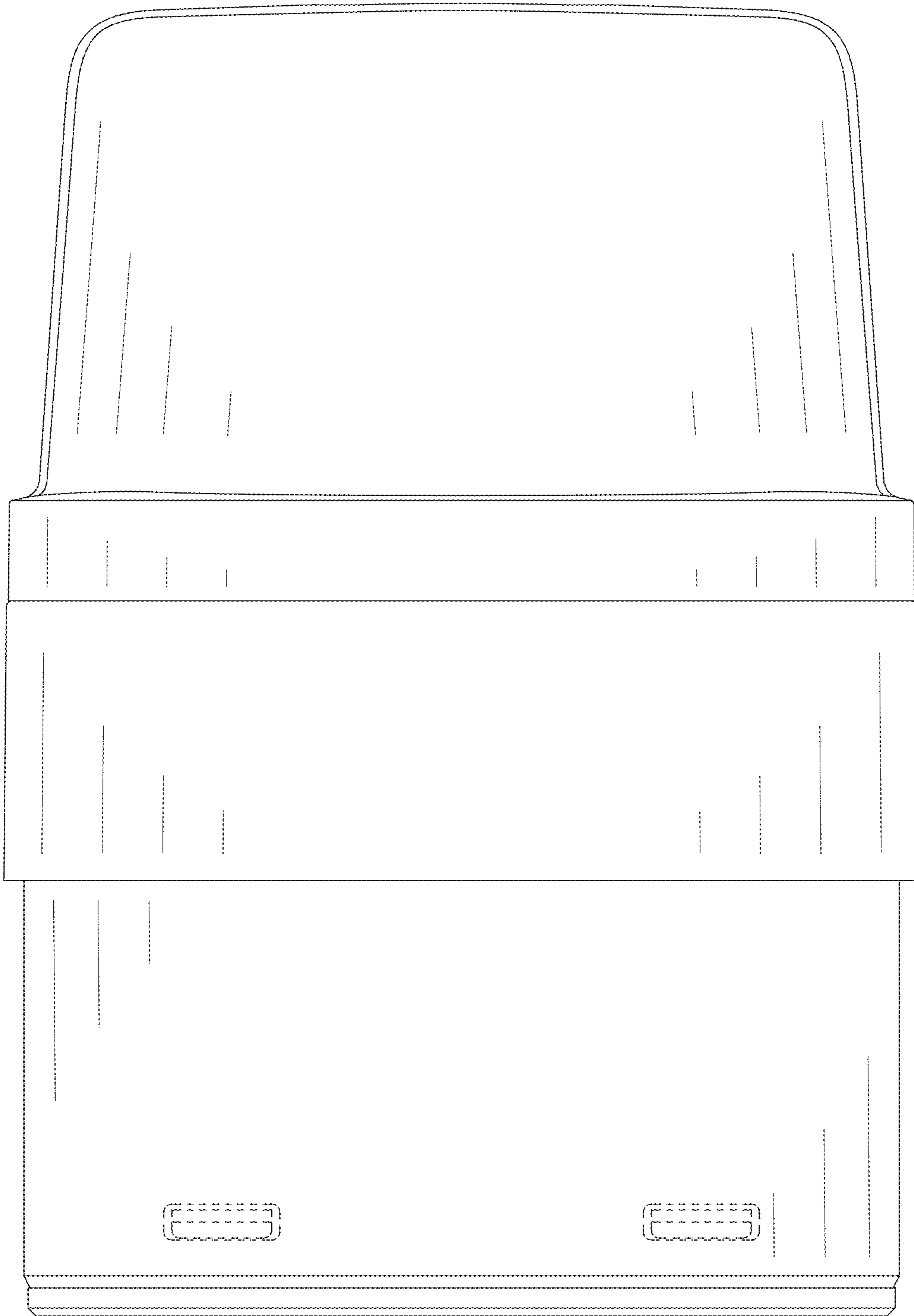


FIG. 4

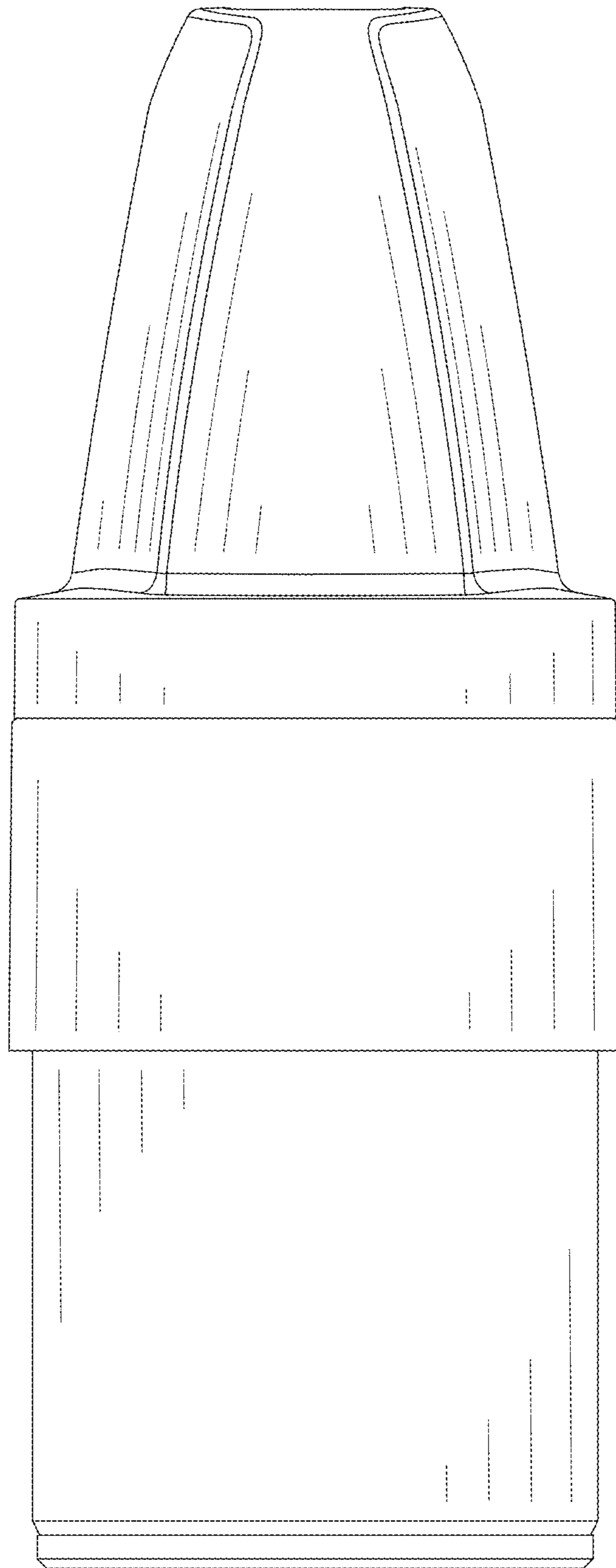


FIG. 5

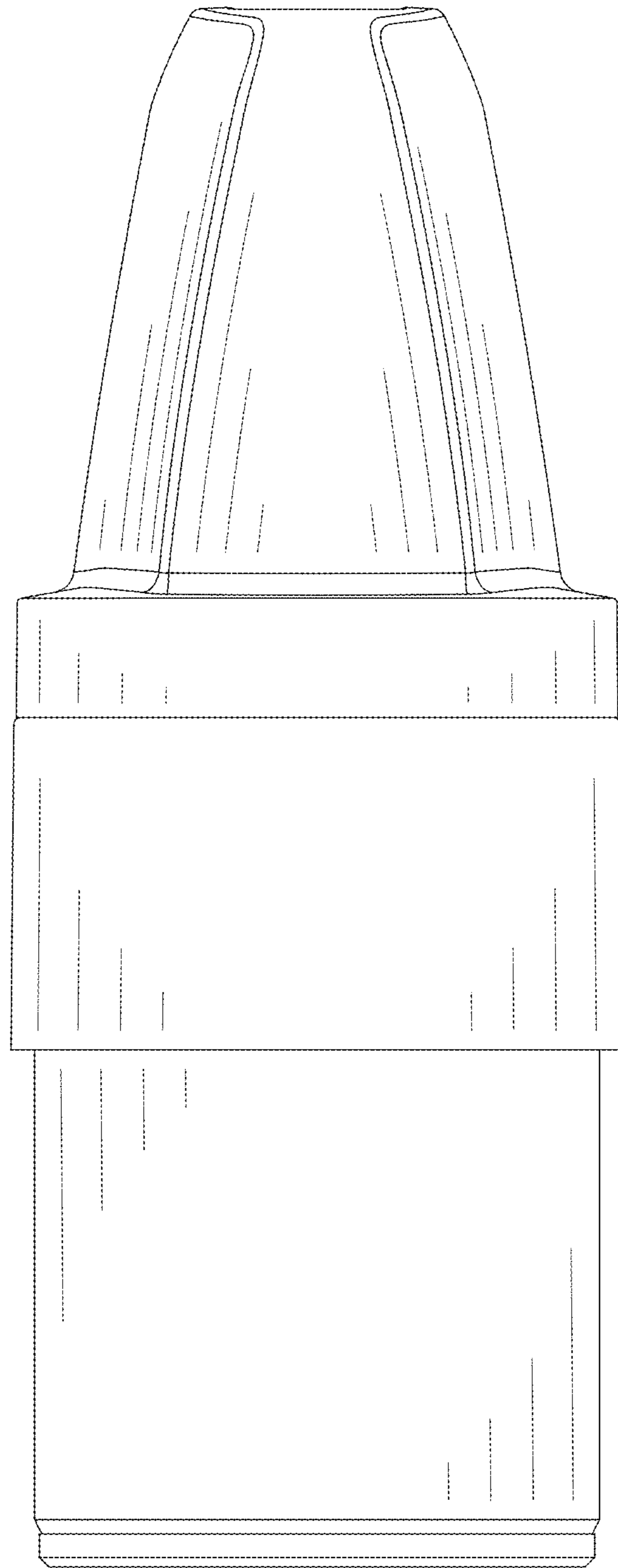


FIG. 6

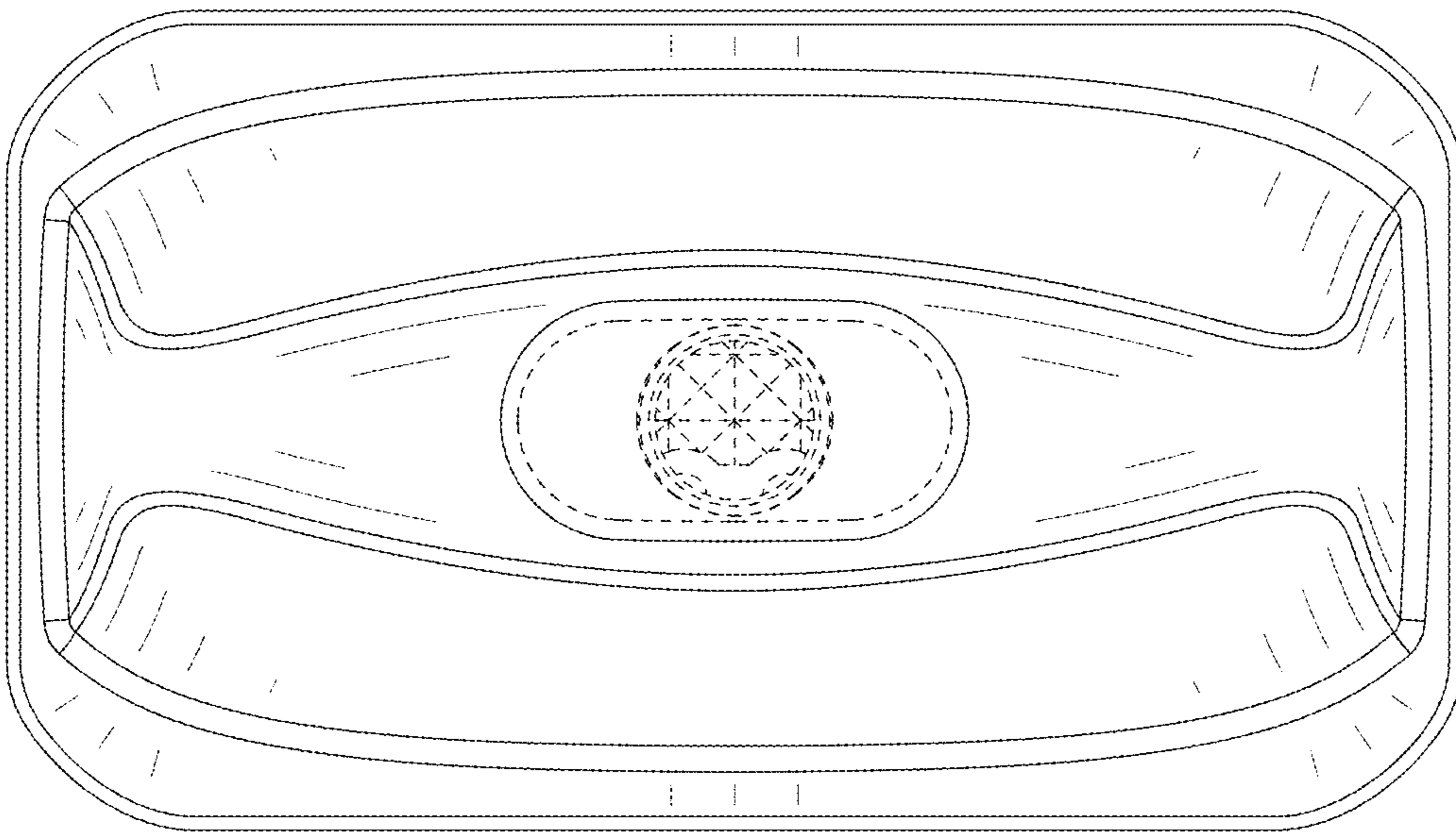


FIG. 7

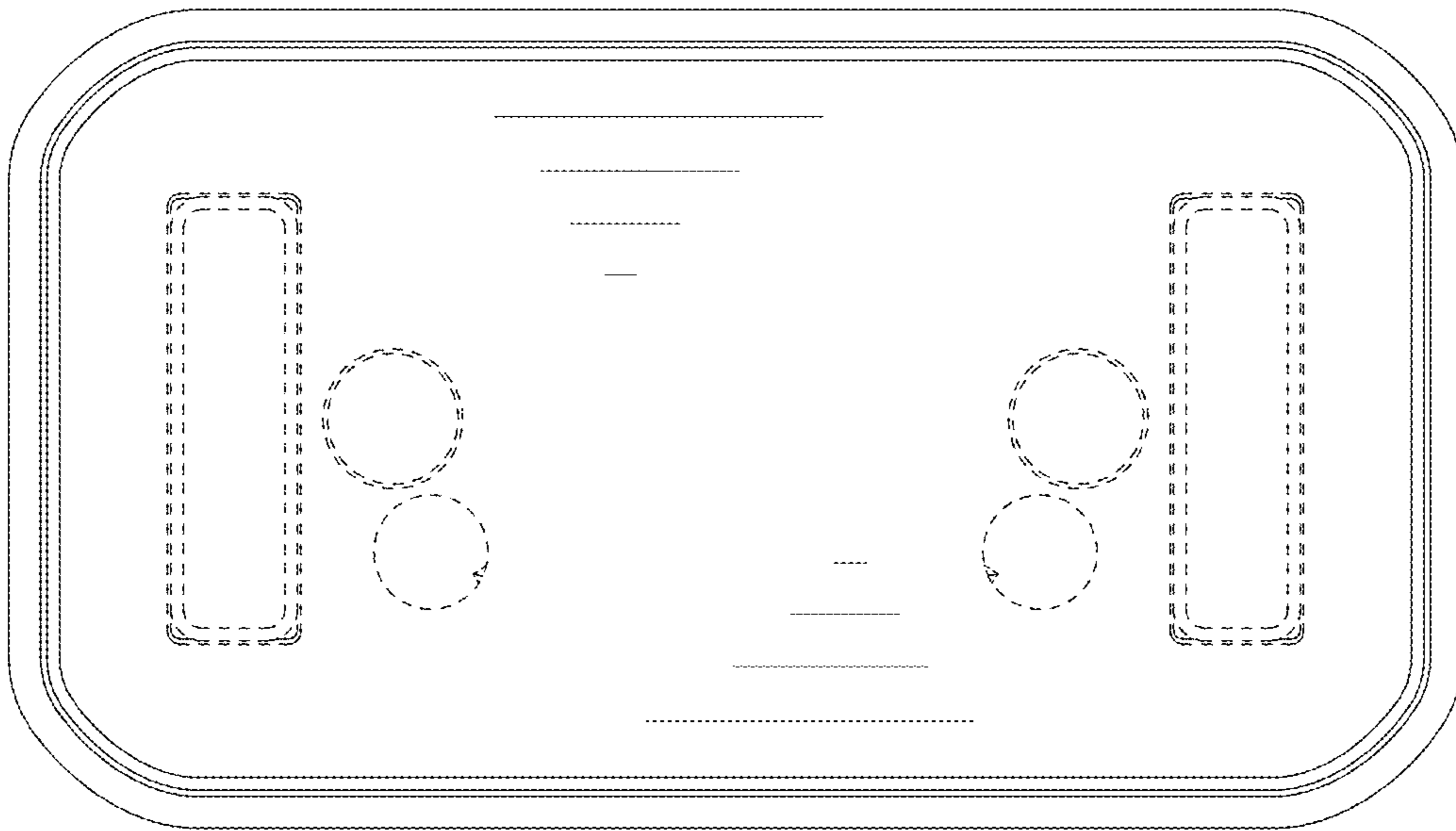


FIG. 8

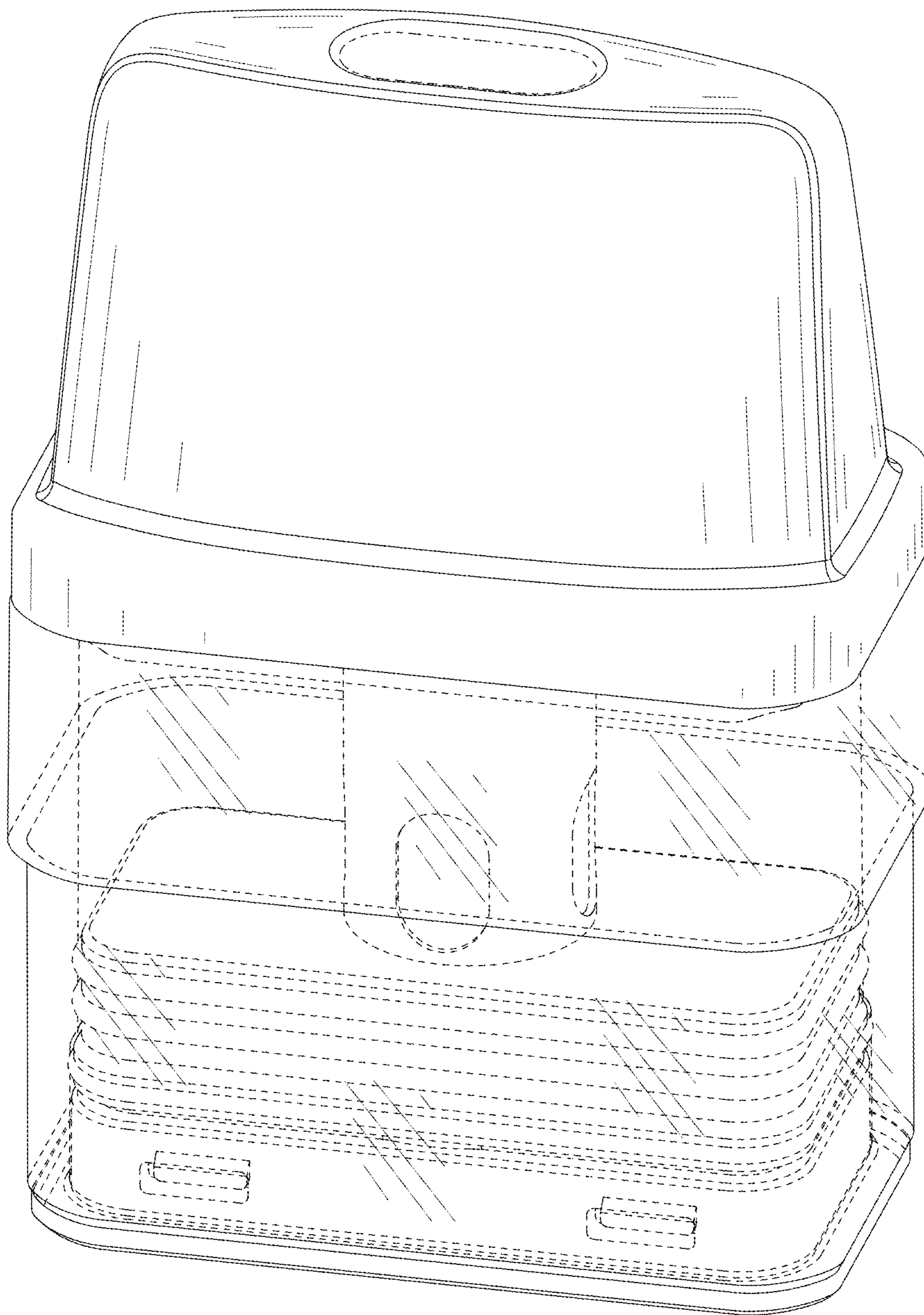


FIG. 9

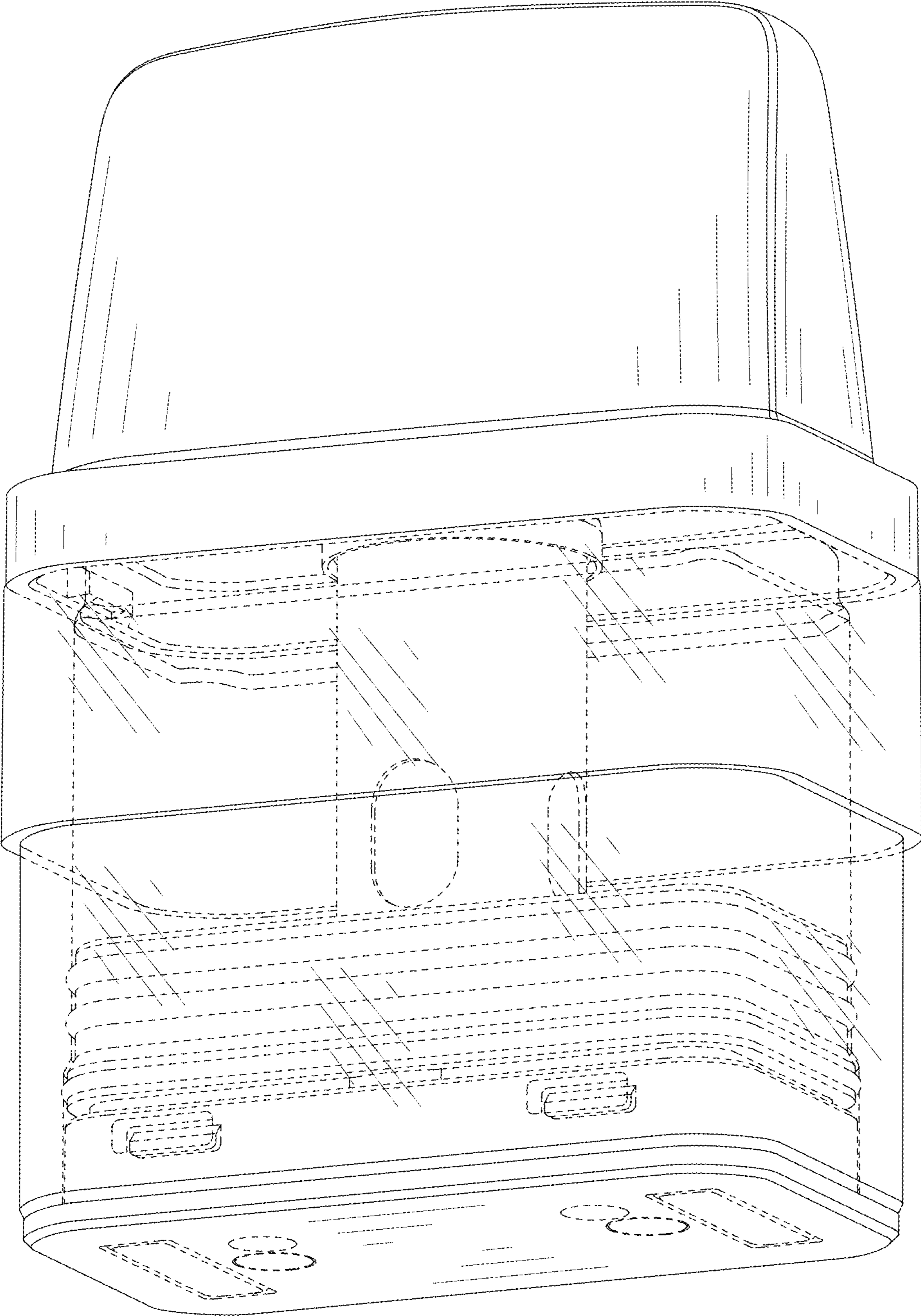


FIG. 10

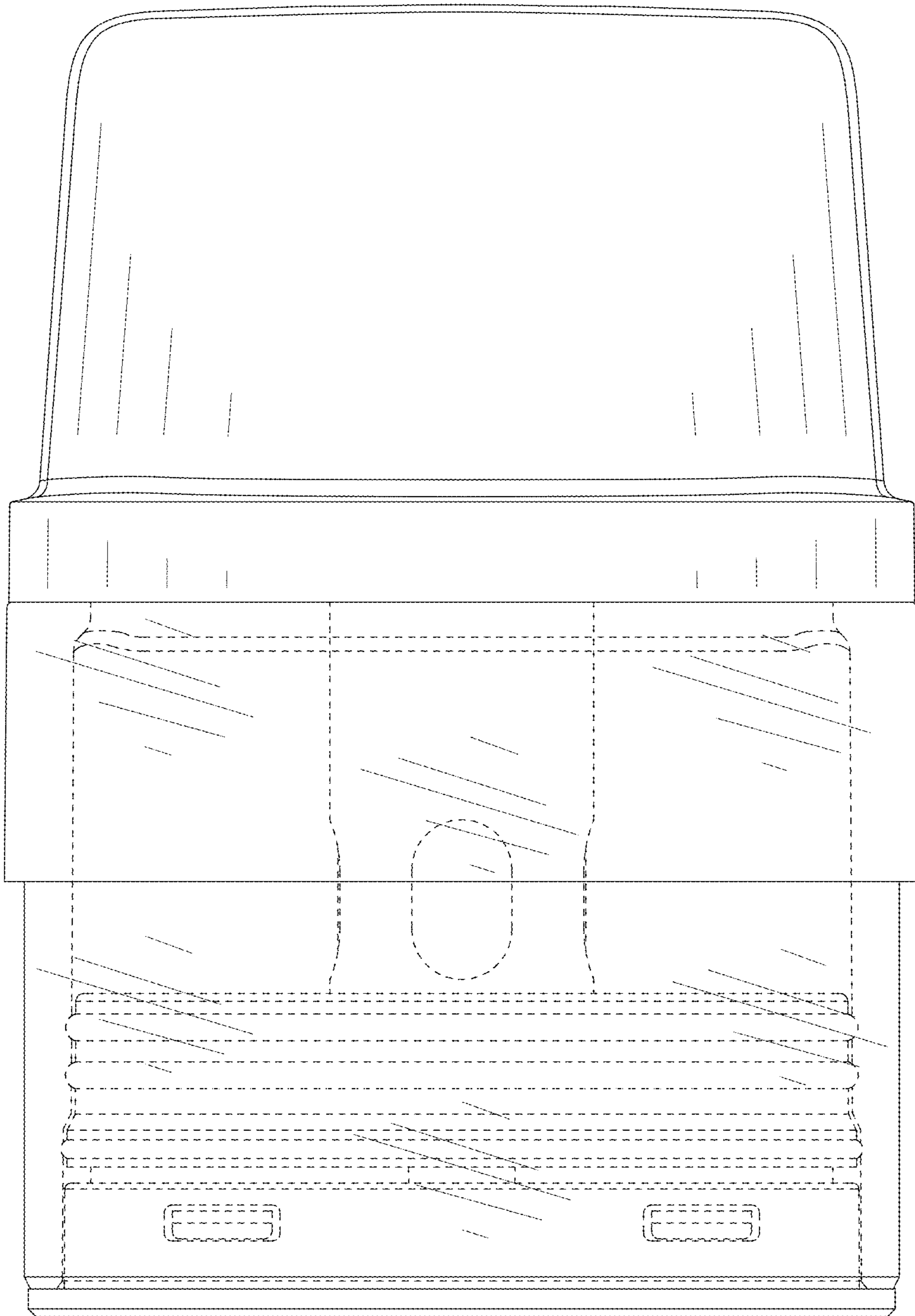


FIG. 11

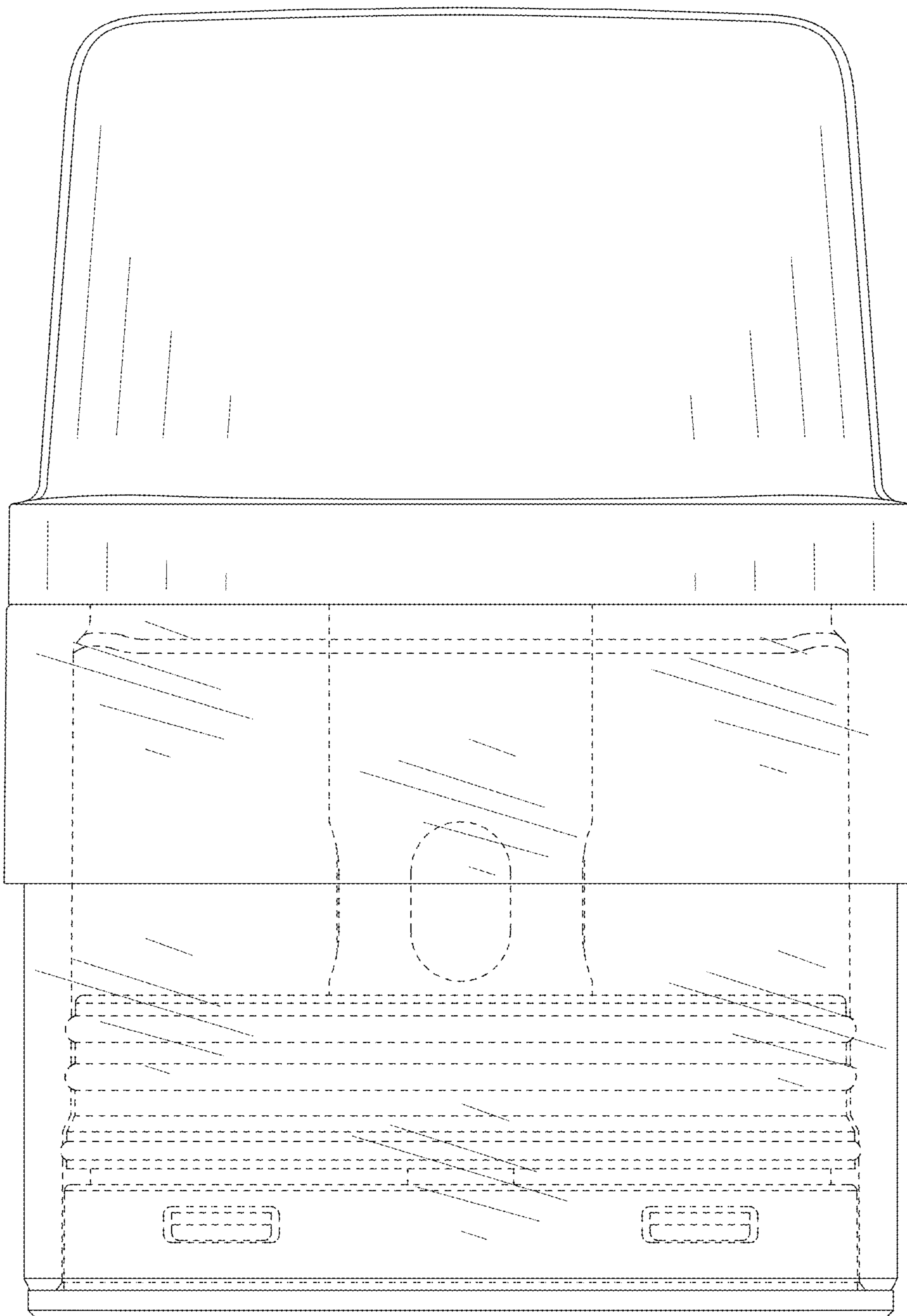


FIG. 12

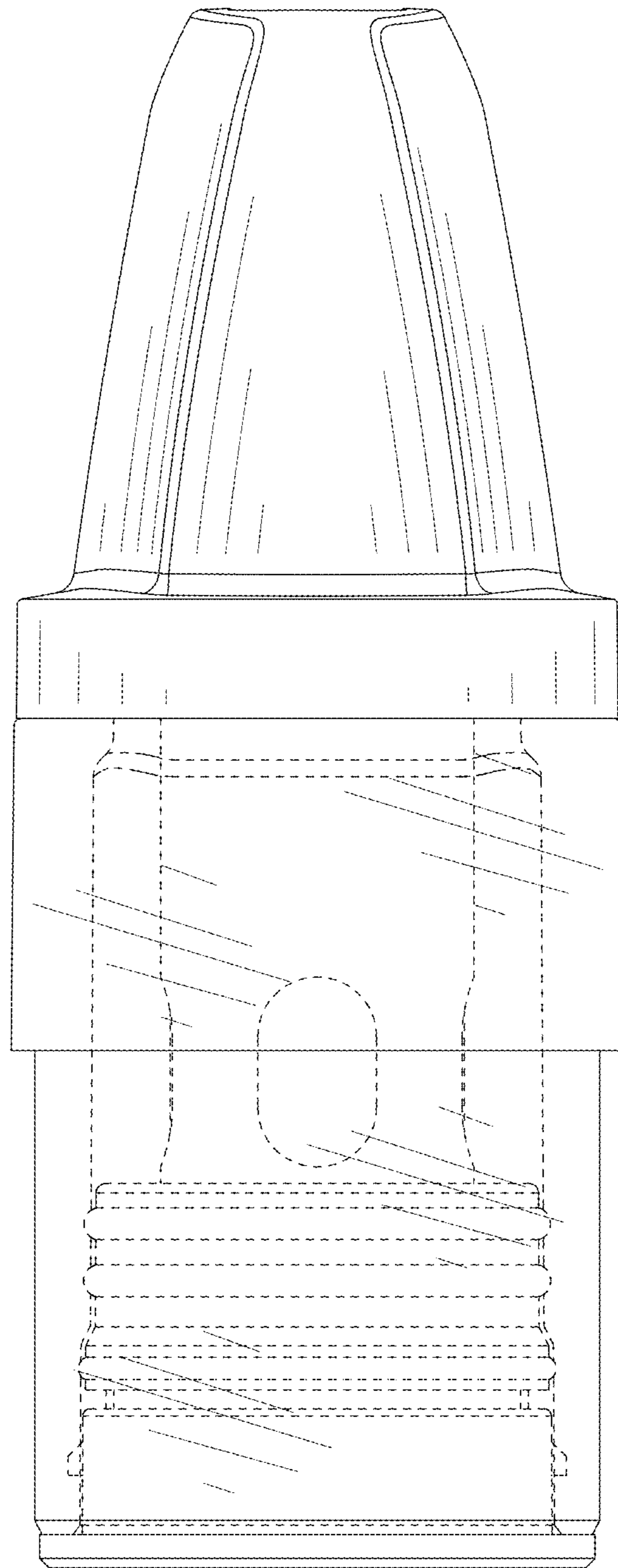


FIG. 13

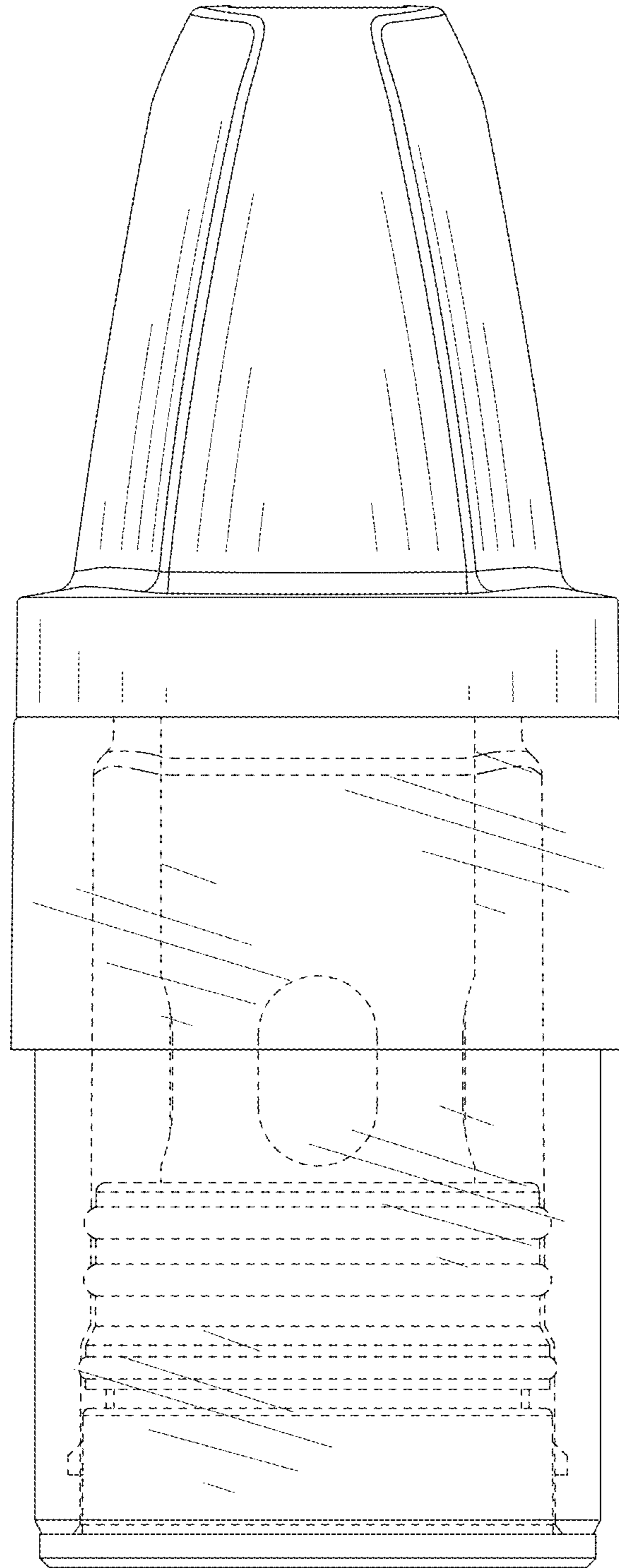


FIG. 14

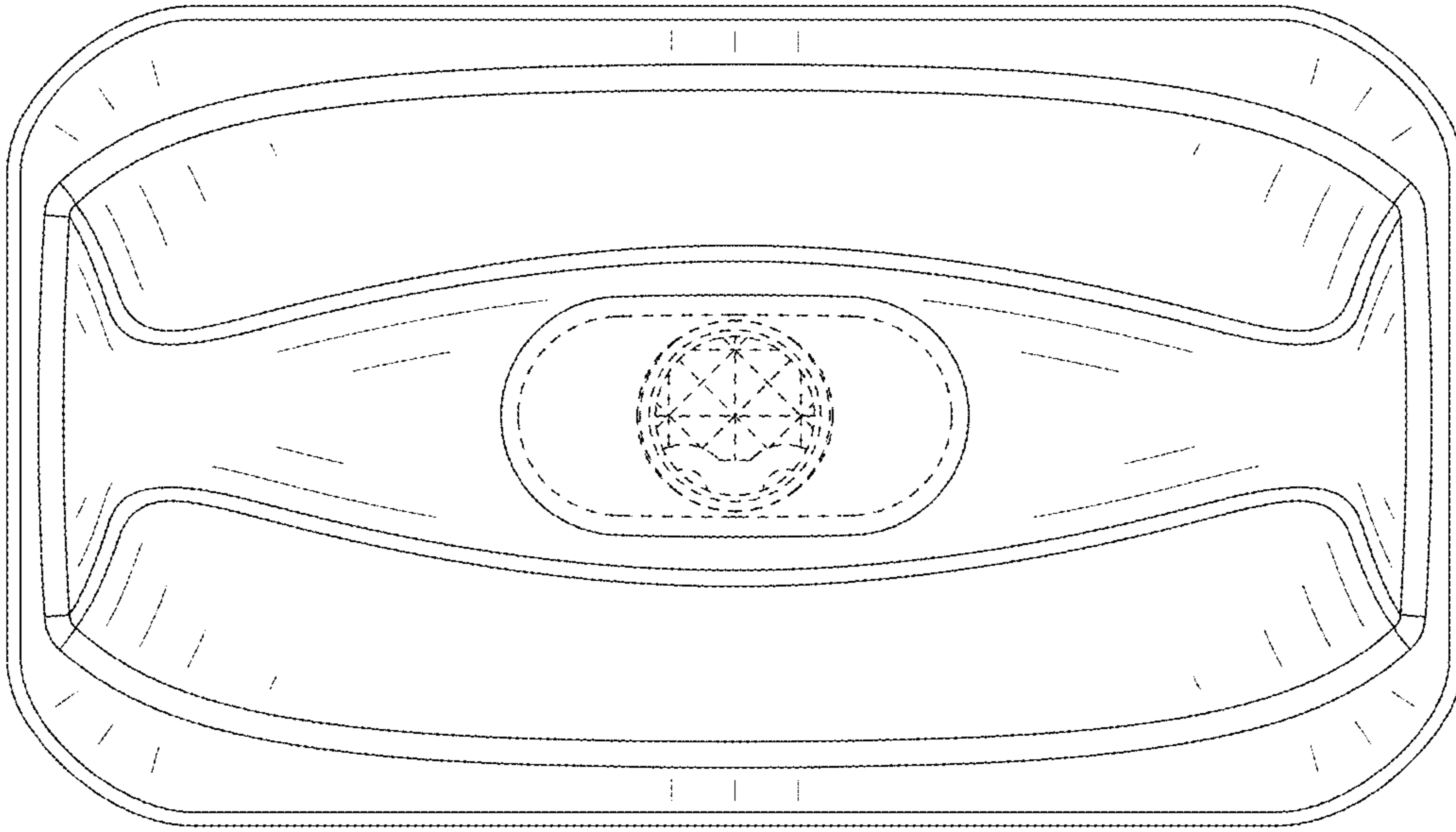


FIG. 15

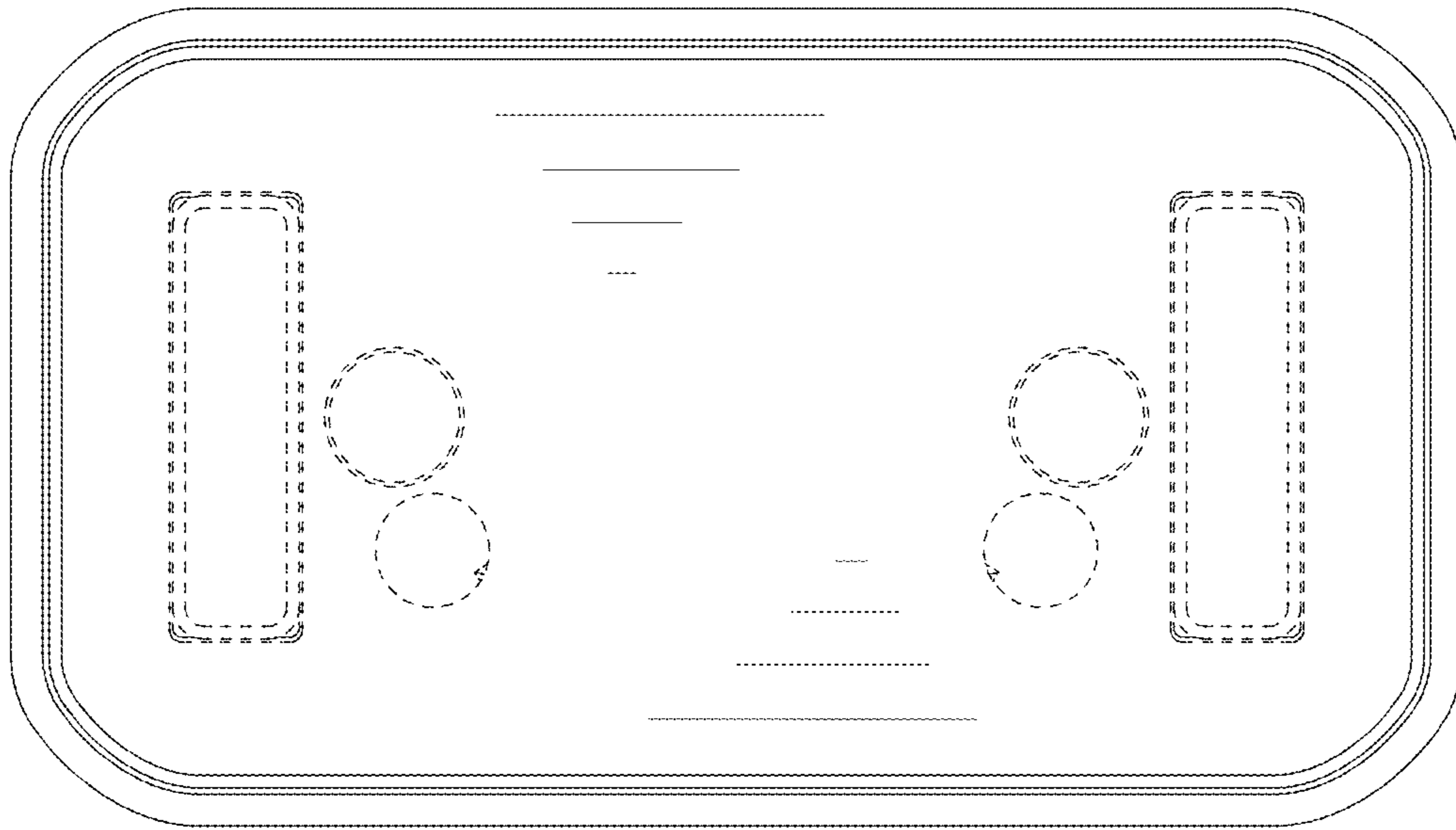


FIG. 16