



US00D957725S

(12) **United States Design Patent** (10) **Patent No.:** **US D957,725 S**
Yang (45) **Date of Patent:** **** Jul. 12, 2022**

(54) **KITCHEN LIGHTER**
(71) Applicant: **Jincheng Yang, Yicheng (CN)**
(72) Inventor: **Jincheng Yang, Yicheng (CN)**
(**) Term: **15 Years**
(21) Appl. No.: **29/774,534**
(22) Filed: **Mar. 17, 2021**
(51) **LOC (13) Cl.** **27-05**
(52) **U.S. Cl.**
USPC **D27/157; D27/141**
(58) **Field of Classification Search**
USPC D27/141, 139, 142, 148, 153, 154,
D27/157-159, 161; D23/211.1
CPC F23Q 2/00; F23Q 2/02; F23Q 2/16; F23Q
2/161; F23Q 2/162; F23Q 2/164; F23Q
2/167; F23Q 7/00; F23Q 7/14; F23Q
7/16; F23Q 7/24; F23Q 7/10
See application file for complete search history.

(56) **References Cited**

U.S. PATENT DOCUMENTS

D376,302 S * 12/1996 Tsai D8/29.1
5,667,377 A * 9/1997 Lin F23D 14/28
126/406
6,129,544 A * 10/2000 Chen F23Q 2/164
431/153
D444,912 S * 7/2001 Xie D27/157
D465,978 S * 11/2002 Miyanaga D8/30
D477,747 S * 7/2003 Hsu D7/416
D551,387 S * 9/2007 Smith D27/157
D667,993 S * 9/2012 Lin D27/139
D667,994 S * 9/2012 Lin D27/139
D759,298 S 6/2016 Ichikawa et al.
D805,349 S 12/2017 Looft
D840,753 S 2/2019 Müller

D861,429 S * 10/2019 Lin D7/416
D867,655 S * 11/2019 Chen D27/157
D869,749 S * 12/2019 Pan D27/159
D872,356 S * 1/2020 Pan D27/159
D875,300 S * 2/2020 Chen D27/159
2010/0261129 A1* 10/2010 Lin F23D 14/38
431/344
2019/0093889 A1* 3/2019 Ho F23D 14/38
2019/0093890 A1* 3/2019 Shen F23D 14/38
2020/0103109 A1* 4/2020 Barber F23Q 2/164

OTHER PUBLICATIONS

Culinary Butane Torch By: Cughys found on Amazon (Jan. 13, 2022) [https://www.amazon.com/Culinary-Refillable-Adjustable-Desserts-Soldering/dp/B099ZVZWTK/ref=sr_1_6?crd=138FI4RGVR4C4&keywords=Blow+torch&qid=\(Aug. 19, 2021\).*](https://www.amazon.com/Culinary-Refillable-Adjustable-Desserts-Soldering/dp/B099ZVZWTK/ref=sr_1_6?crd=138FI4RGVR4C4&keywords=Blow+torch&qid=(Aug. 19, 2021).*)

* cited by examiner

Primary Examiner — Rebecca Tsehaye

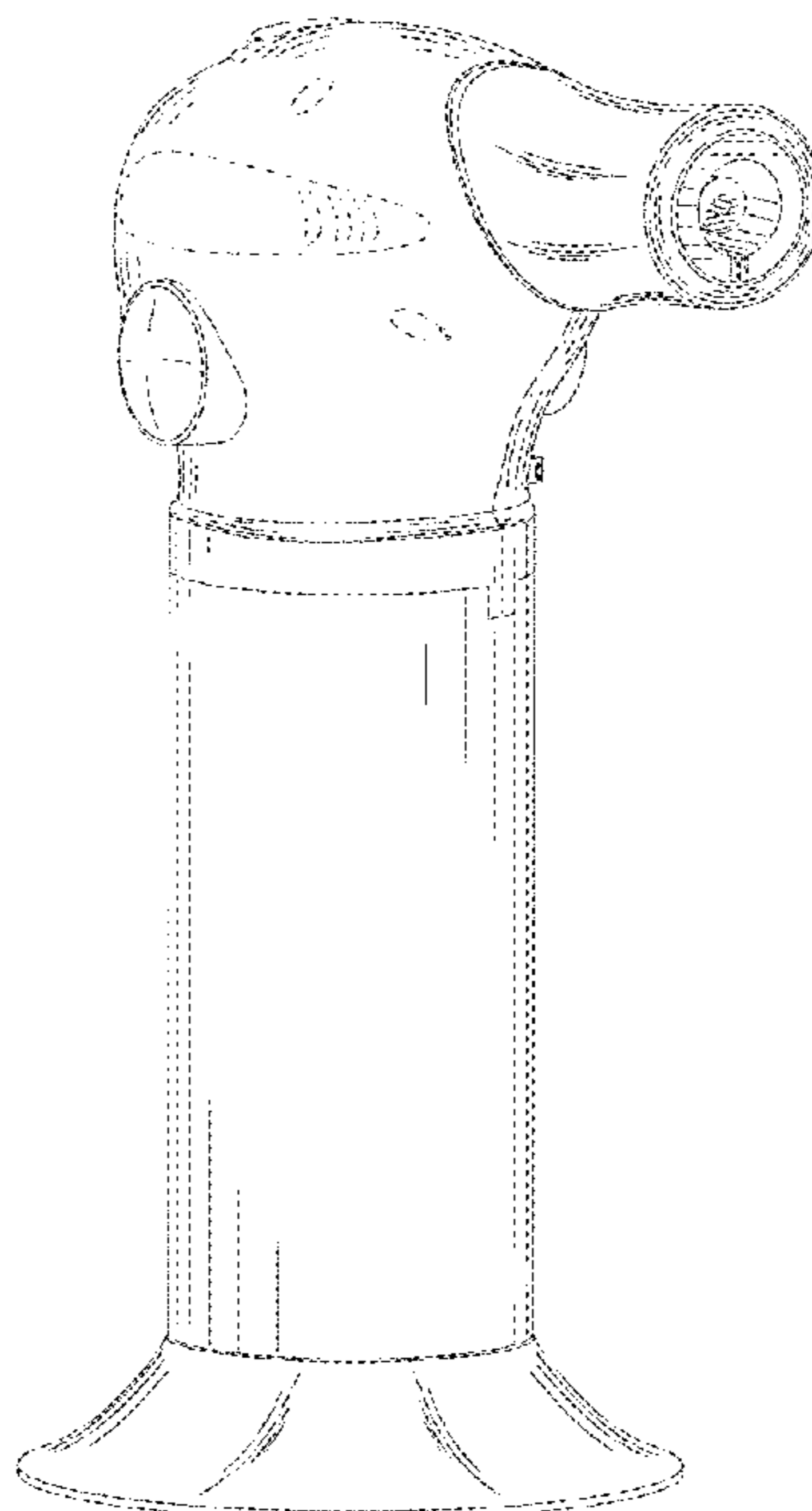
(57) **CLAIM**

The ornamental design for kitchen lighter, as shown and described.

DESCRIPTION

FIG. 1 is a perspective view of a kitchen lighter showing my new design;
FIG. 2 is a front view thereof;
FIG. 3 is a rear view thereof;
FIG. 4 is a right side view thereof;
FIG. 5 is a left side view thereof;
FIG. 6 is a top plan view thereof; and,
FIG. 7 is a bottom plan view thereof.
The broken lines depict portions of the kitchen lighter and form no part of the claimed design.

1 Claim, 7 Drawing Sheets



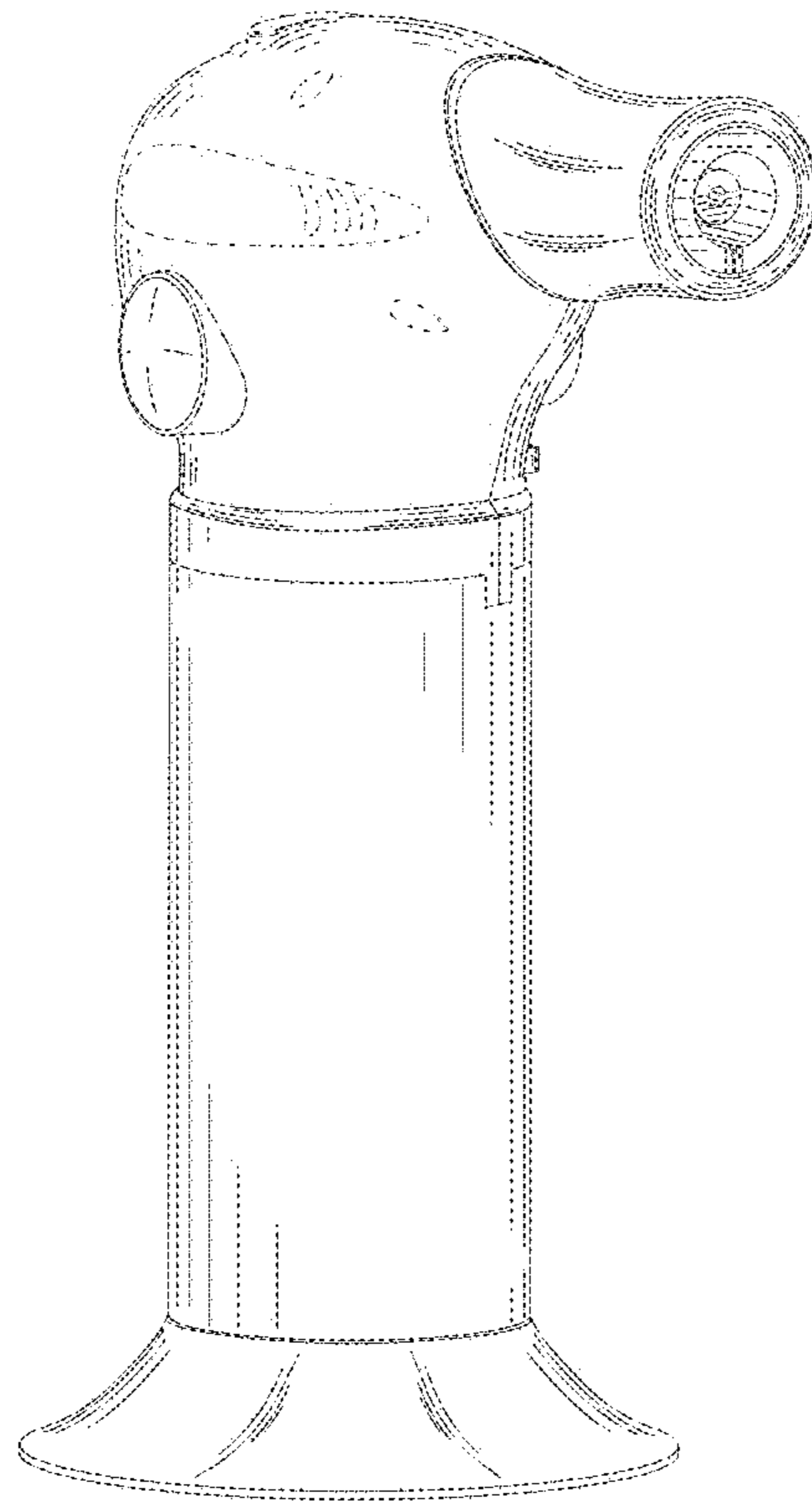


FIG. 1

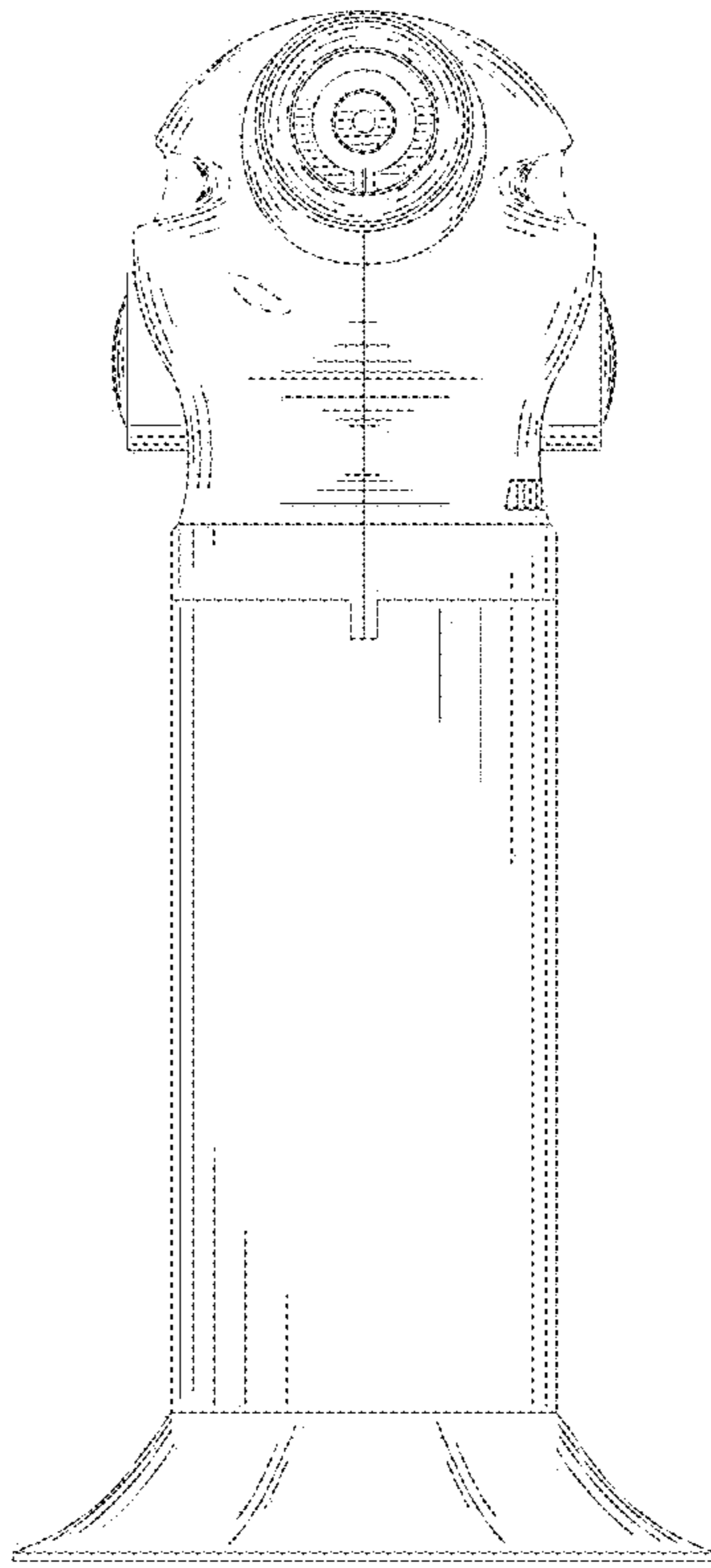


FIG. 2

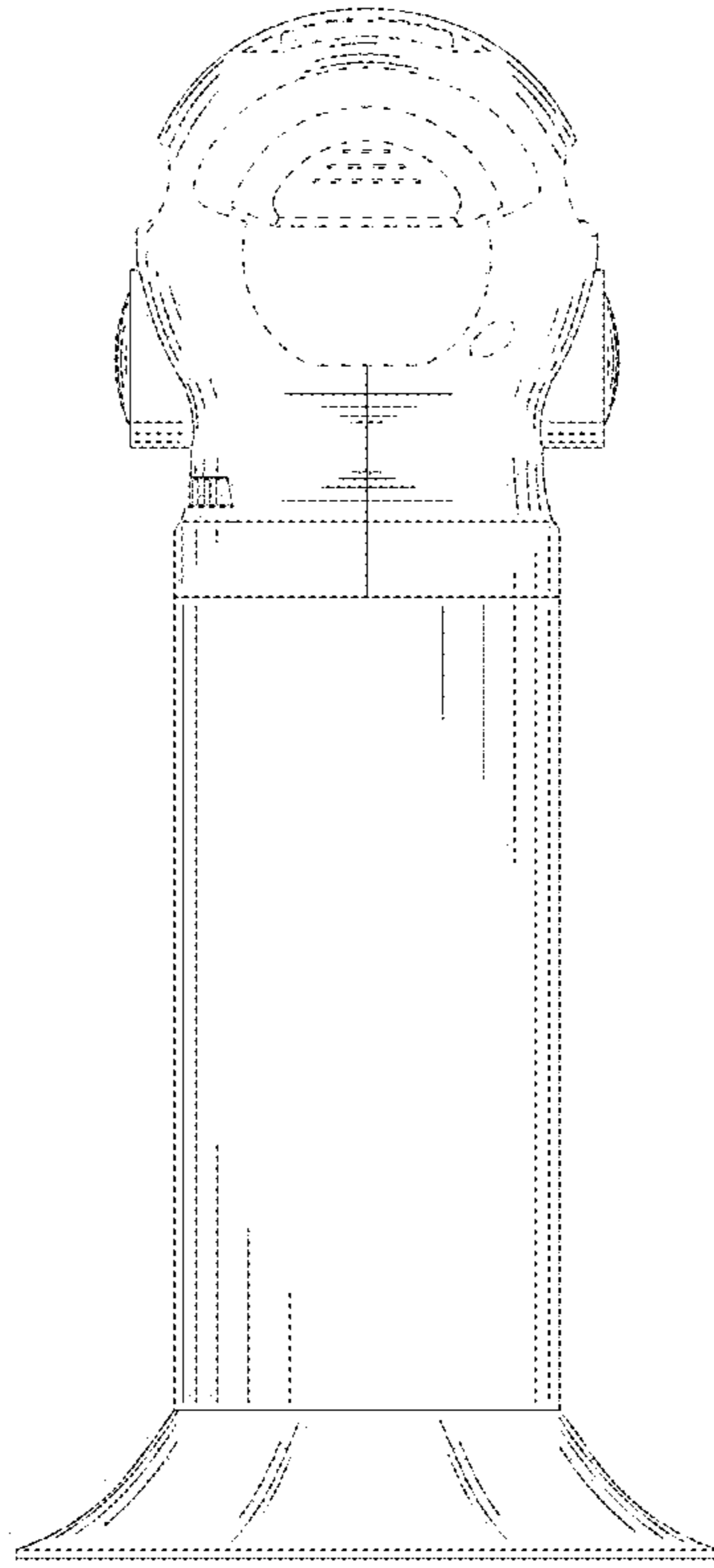


FIG. 3

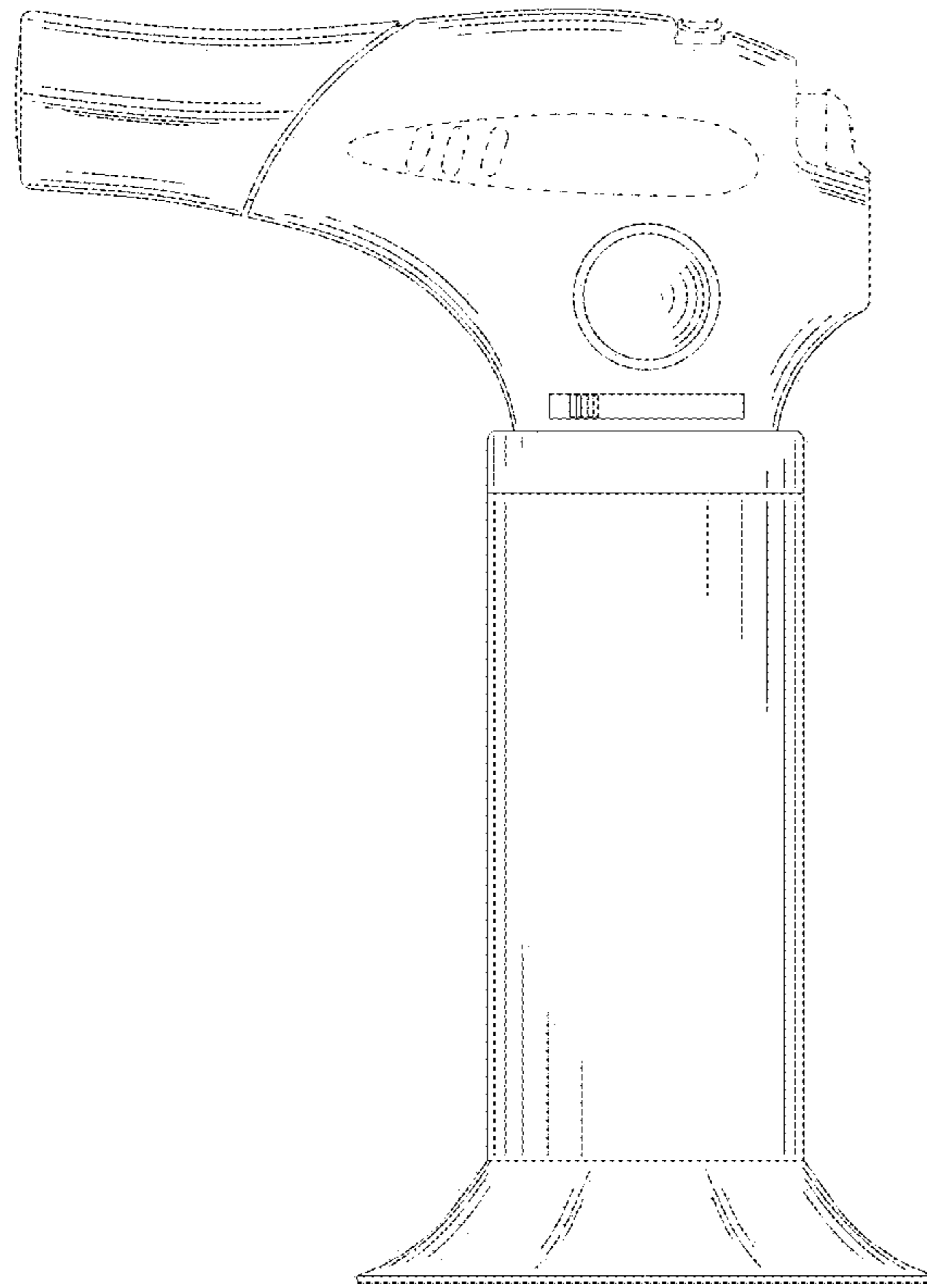


FIG. 4

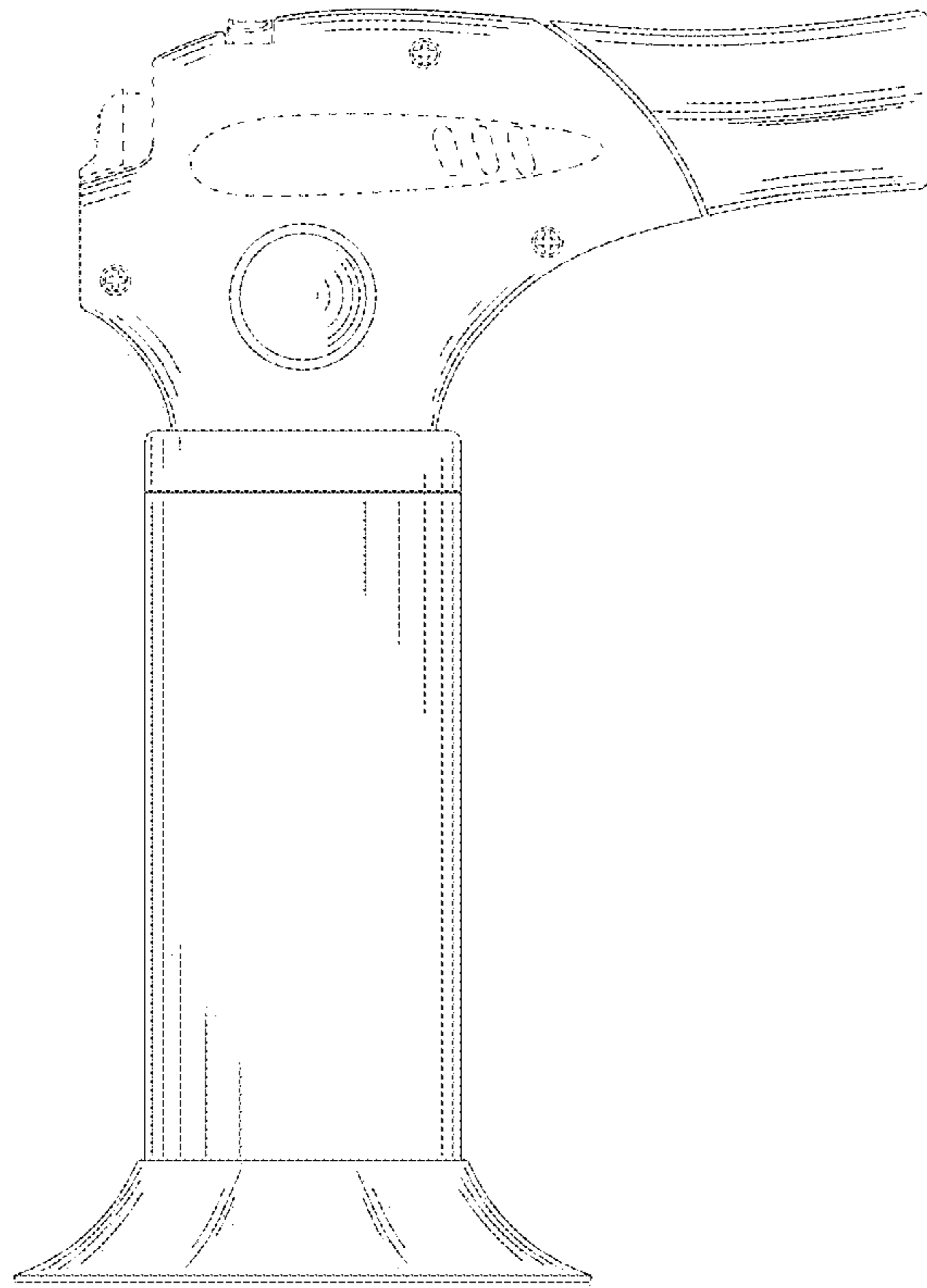


FIG. 5

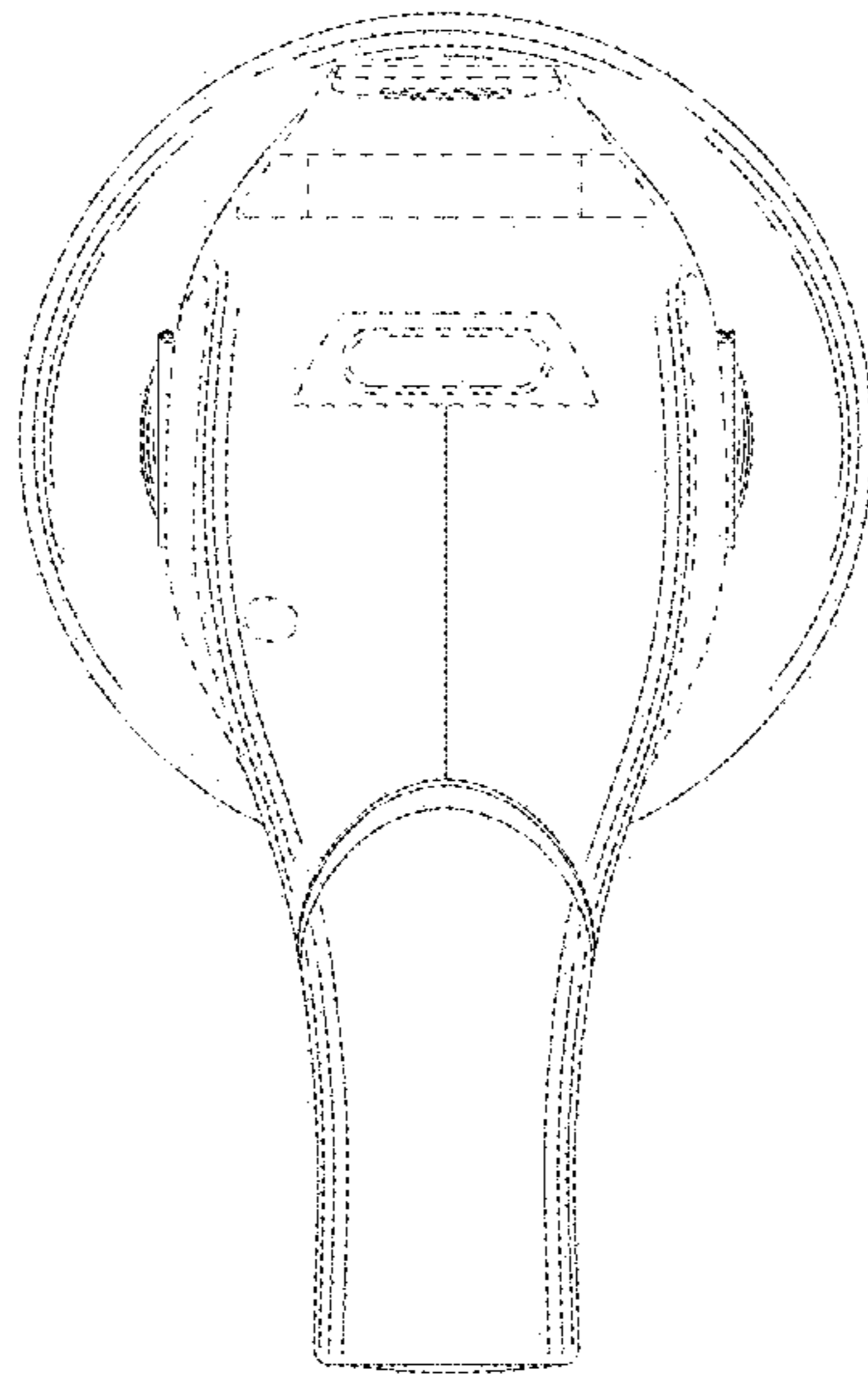


FIG. 6

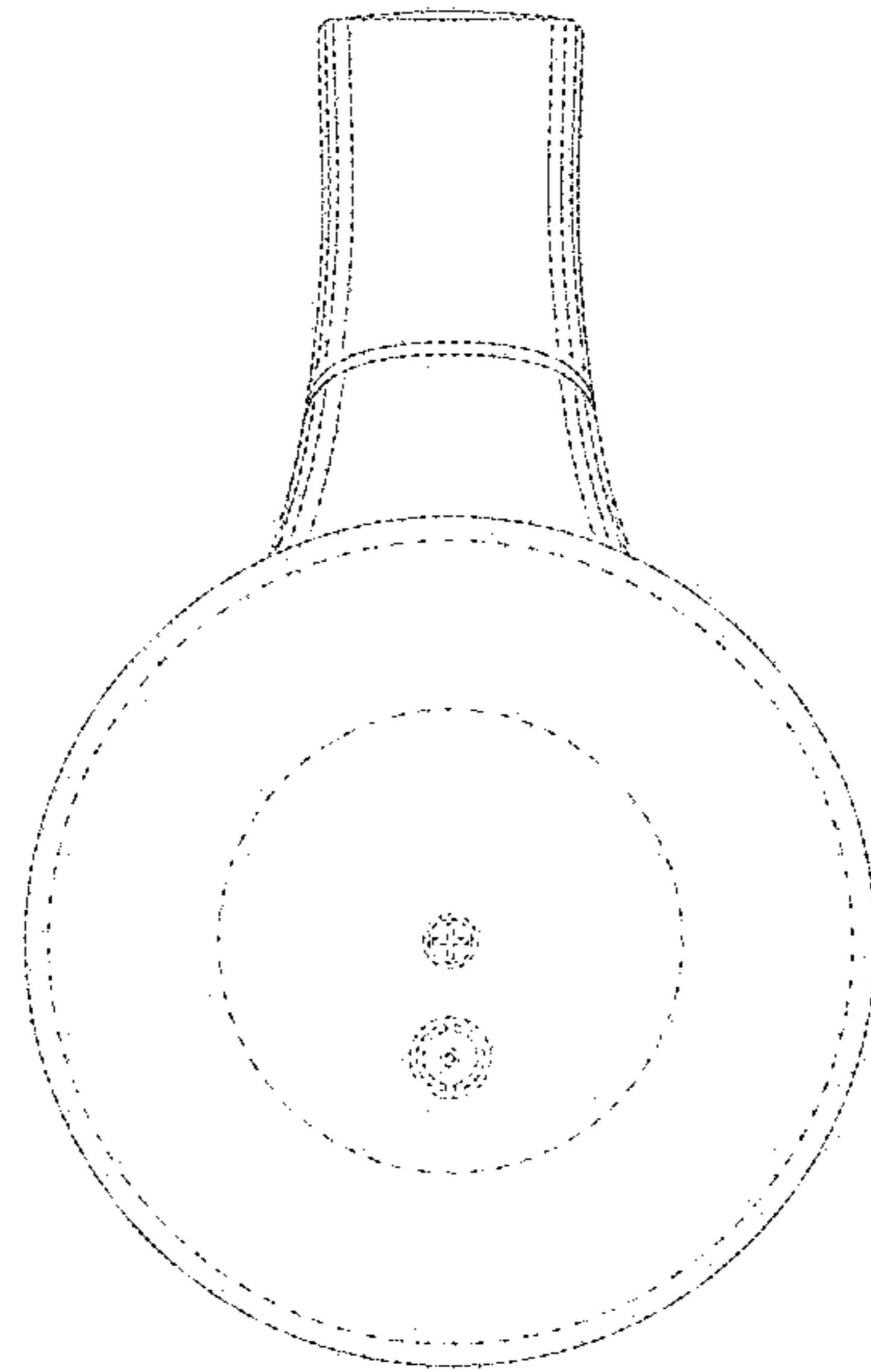


FIG. 7