



US00D957724S

(12) **United States Design Patent** (10) **Patent No.:** **US D957,724 S**  
**Stone** (45) **Date of Patent:** **\*\* Jul. 12, 2022**

(54) **ELECTRONIC CIGARETTE**  
(71) Applicant: **Altria Client Services LLC**,  
Richmond, VA (US)  
(72) Inventor: **Mitchell Stone**, Staffordshire (GB)  
(73) Assignee: **Altria Client Services LLC**,  
Richmond, VA (US)  
(\*\*) Term: **15 Years**  
(21) Appl. No.: **29/756,805**  
(22) Filed: **Oct. 30, 2020**

**Related U.S. Application Data**

(62) Division of application No. 29/710,943, filed on Oct. 28, 2019, now Pat. No. Des. 901,758, which is a  
(Continued)

**Foreign Application Priority Data**

(30) Jul. 31, 2016 (EM) ..... 003325349-0001  
Jul. 31, 2016 (EM) ..... 003325349-0002  
Jul. 31, 2016 (EM) ..... 003325349-0003  
Jul. 31, 2016 (EM) ..... 003325349-0004  
Jul. 31, 2016 (EM) ..... 003325349-0005  
Jul. 31, 2016 (EM) ..... 003325349-0006  
Jul. 31, 2016 (EM) ..... 003325349-0007  
Jul. 31, 2016 (EM) ..... 003325349-0008  
(Continued)

(51) **LOC (13) Cl.** ..... **27-01**  
(52) **U.S. Cl.**  
USPC ..... **D27/101**  
(58) **Field of Classification Search**  
USPC ..... D27/162, 100, 101, 163-170, 172, 183,  
D27/185-192, 194; D23/360, 366;  
D24/110, 110.5

(Continued)

(56) **References Cited**  
U.S. PATENT DOCUMENTS

D142,842 S 11/1945 Daze  
D167,230 S 7/1952 Rehfeld  
(Continued)

FOREIGN PATENT DOCUMENTS

CN 303162041 S 4/2015  
CN 303482767 S 12/2015  
(Continued)

OTHER PUBLICATIONS

Taiwanese Office Action dated Dec. 12, 2017 in Taiwanese Appli-  
cation No. 106300550.

(Continued)

*Primary Examiner* — Rebecca Tsehaye  
(74) *Attorney, Agent, or Firm* — Harness, Dickey &  
Pierce, P.L.C.

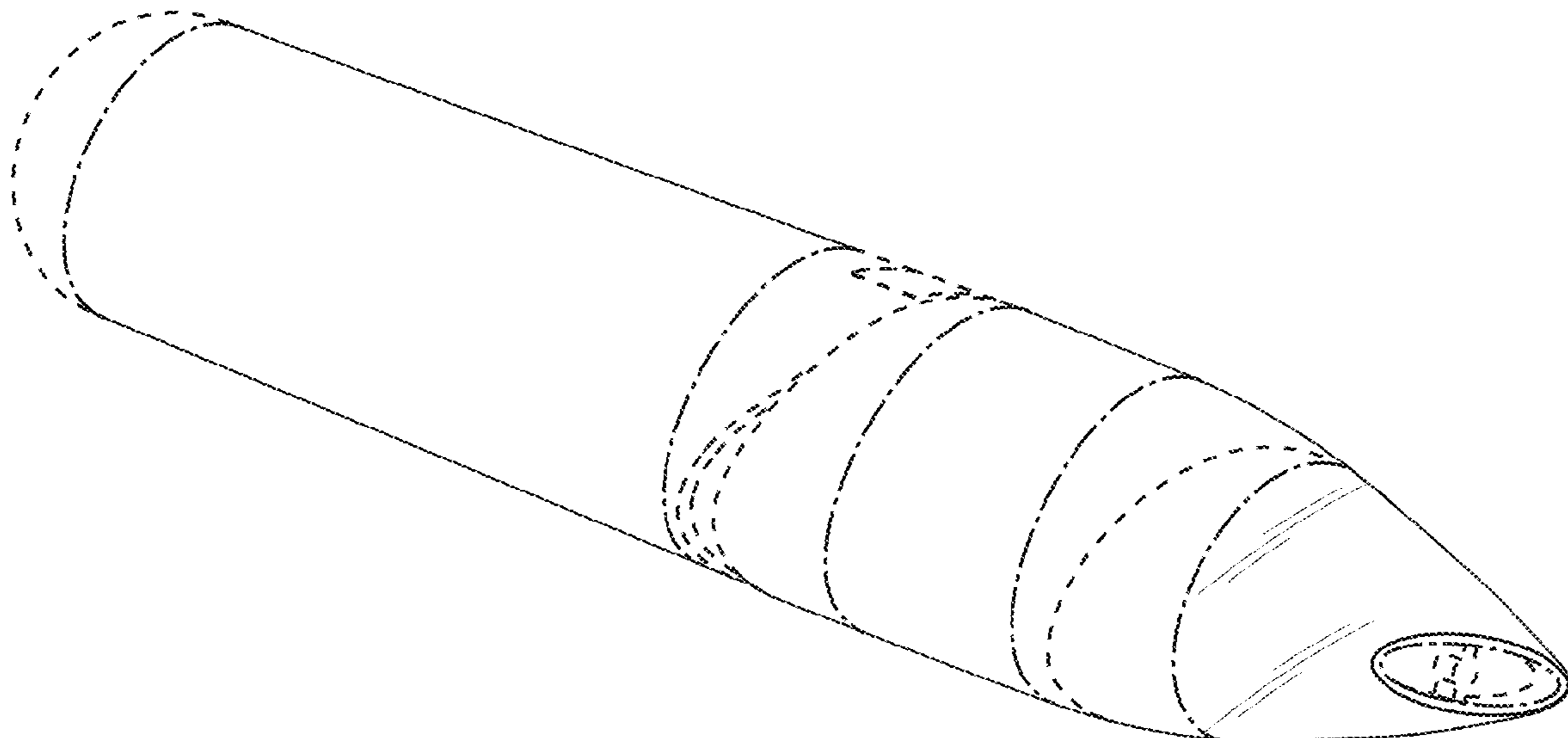
(57) **CLAIM**

The ornamental design for an electronic cigarette, as shown  
and described.

**DESCRIPTION**

FIG. 1 is a perspective view of an electronic cigarette;  
FIG. 2 is a front view of the electronic cigarette;  
FIG. 3 is a rear view of the electronic cigarette;  
FIG. 4 is a bottom side view of the electronic cigarette;  
FIG. 5 is a top view of the electronic cigarette;  
FIG. 6 is a left side view of the electronic cigarette; and,  
FIG. 7 is a right side view of the electronic cigarette.  
The evenly spaced broken lines in the drawings depict  
portions of the electronic cigarette that form no part of the  
claimed design; the dash-dot-dash lines represent boundary  
lines for the claimed design.

**1 Claim, 7 Drawing Sheets**



**Related U.S. Application Data**

division of application No. 29/662,843, filed on Sep. 10, 2018, now Pat. No. Des. 868,360, which is a division of application No. 29/592,199, filed on Jan. 27, 2017, now Pat. No. Des. 830,625.

(30) **Foreign Application Priority Data**

Aug. 12, 2016 (EM) ..... 003339829-0001  
 Aug. 12, 2016 (EM) ..... 003339829-0002  
 Aug. 12, 2016 (EM) ..... 003339829-0003  
 Aug. 12, 2016 (EM) ..... 003339829-0004

(58) **Field of Classification Search**

CPC .... A24F 47/008; A24F 47/006; A24F 47/002;  
 A61M 15/00; A61M 15/06  
 See application file for complete search history.

(56) **References Cited**

U.S. PATENT DOCUMENTS

D223,879 S 6/1972 Chernack  
 D224,760 S 9/1972 Chernack  
 D272,184 S 1/1984 Karpowicz  
 D281,011 S 10/1985 Helfer  
 D436,225 S 1/2001 Garofano et al.  
 6,357,448 B1 3/2002 Sinclair, Jr.  
 D532,927 S 11/2006 Sann  
 D590,991 S 4/2009 Hon  
 D632,014 S 2/2011 Lee  
 D655,036 S 2/2012 Zhou  
 D666,355 S 8/2012 Alelov  
 D683,897 S 6/2013 Liu  
 D684,311 S 6/2013 Liu  
 D685,522 S 7/2013 Potter et al.  
 D691,766 S 10/2013 Tucker et al.  
 D718,492 S 11/2014 Albanese  
 D720,499 S 12/2014 Alima  
 D720,882 S 1/2015 Albanese  
 D721,202 S 1/2015 Liu  
 D722,196 S 2/2015 Tucker et al.  
 D722,956 S 2/2015 Alima  
 D723,732 S 3/2015 Alima  
 D724,262 S 3/2015 Hearn et al.  
 D725,310 S 3/2015 Eksouzian  
 D728,852 S 5/2015 Hearn et al.  
 D732,733 S 6/2015 Spagnolo et al.  
 D738,566 S 9/2015 Tucker et al.  
 D738,567 S 9/2015 Tucker et al.  
 D739,597 S 9/2015 Lavanchy et al.  
 D739,598 S 9/2015 Lavanchy et al.  
 D739,599 S 9/2015 Liu  
 D742,065 S 10/2015 Leidel  
 D743,097 S 11/2015 Tucker et al.  
 D743,622 S 11/2015 Alima  
 D747,545 S 1/2016 Liu  
 D747,546 S 1/2016 Liu  
 D747,547 S 1/2016 Liu  
 D748,323 S 1/2016 Tucker et al.  
 D748,853 S 2/2016 Seibel et al.  
 D750,834 S 3/2016 Wei  
 D752,278 S 3/2016 Verleur et al.  
 D752,281 S 3/2016 Alima  
 D753,873 S 4/2016 Schuessler  
 D754,919 S 4/2016 Alarcon et al.  
 D755,440 S 5/2016 Collen  
 D756,031 S 5/2016 Wu  
 D756,564 S 5/2016 Yerkic-Husejnovic et al.  
 D757,352 S 5/2016 Bagai  
 D757,353 S 5/2016 Nunnally et al.  
 D757,996 S 5/2016 Hua  
 D759,296 S 6/2016 Abroff et al.  
 D759,303 S 6/2016 Afridi  
 D760,430 S 6/2016 Hanna  
 D760,948 S 7/2016 Eksouzian

D763,501 S 8/2016 McGarry et al.  
 D763,503 S 8/2016 Bramley et al.  
 D764,098 S 8/2016 Liu  
 D764,702 S 8/2016 Di Bari  
 D766,503 S 9/2016 Liu  
 D767,200 S 9/2016 Liu  
 D767,820 S 9/2016 Jordan et al.  
 D769,518 S 10/2016 Liu  
 D769,519 S 10/2016 Chen  
 D770,087 S 10/2016 Di Bari  
 9,480,286 B2 11/2016 Liu  
 9,497,999 B2 11/2016 Lord  
 D773,727 S 12/2016 Eksouzian  
 D773,729 S 12/2016 Jordan et al.  
 D774,693 S 12/2016 Liu  
 D776,337 S 1/2017 Levin et al.  
 D776,868 S 1/2017 Rado  
 D778,492 S 2/2017 Liu  
 D778,493 S 2/2017 Scott  
 D779,124 S 2/2017 Houyoux  
 D779,719 S 2/2017 Qiu  
 D779,722 S 2/2017 Volodarsky  
 D779,725 S 2/2017 Bramley et al.  
 D780,991 S 3/2017 Liu  
 D780,993 S 3/2017 Bramley et al.  
 D782,108 S 3/2017 Jordan et al.  
 D782,728 S 3/2017 Pinder  
 D786,497 S 5/2017 Sudlow et al.  
 D787,114 S 5/2017 Scott  
 D790,123 S 6/2017 Beer et al.  
 D790,124 S 6/2017 Beer et al.  
 D790,125 S 6/2017 Beer et al.  
 D790,680 S 6/2017 Afridi  
 9,675,107 B2 6/2017 Levitz et al.  
 D792,021 S 7/2017 Beer et al.  
 D792,643 S 7/2017 Wong et al.  
 D795,495 S 8/2017 Li et al.  
 D795,496 S 8/2017 Beer et al.  
 D797,369 S 9/2017 Yamada et al.  
 D797,990 S 9/2017 Hawes et al.  
 D799,108 S 10/2017 Meyer et al.  
 D799,110 S 10/2017 Qiu  
 D799,112 S 10/2017 Qiu  
 D799,113 S 10/2017 Qiu  
 D799,741 S 10/2017 Liu  
 D799,744 S 10/2017 Qiu  
 D799,745 S 10/2017 Qiu  
 D799,748 S 10/2017 Freese  
 D799,749 S 10/2017 Freese  
 D800,381 S 10/2017 Chen  
 D800,383 S 10/2017 Verleur et al.  
 D802,207 S 11/2017 Bramley et al.  
 D802,835 S 11/2017 Bagai  
 D802,839 S 11/2017 Scott  
 D803,475 S 11/2017 Scheiber  
 D804,090 S 11/2017 Verleur et al.  
 D804,091 S 11/2017 Fornarelli  
 D805,248 S 12/2017 Chen et al.  
 D805,684 S 12/2017 Thuery  
 D806,942 S 1/2018 Qiu  
 D806,943 S 1/2018 Liu et al.  
 D807,574 S 1/2018 Hawes et al.  
 D808,580 S 1/2018 Kwitel et al.  
 9,894,931 B2 2/2018 Zhou  
 D812,807 S 3/2018 Thuery  
 D813,155 S 3/2018 Yamada et al.  
 D813,445 S 3/2018 Scott  
 D813,447 S 3/2018 Watson  
 D814,102 S 3/2018 Lehoux  
 D814,103 S 3/2018 Levinson  
 D815,340 S 4/2018 Bramley et al.  
 D815,341 S 4/2018 Qiu  
 D816,266 S 4/2018 Thuery  
 9,936,732 B2 4/2018 Liu  
 D817,540 S 5/2018 Yamada et al.  
 D818,635 S 5/2018 Pinder et al.  
 D818,636 S 5/2018 Qiu  
 D818,638 S 5/2018 Wright et al.  
 D819,263 S 5/2018 Zhu

(56)		References Cited			
		U.S. PATENT DOCUMENTS			
D819,881	S	6/2018	Qiu	D868,364	S * 11/2019 Stone ..... D27/101
D821,028	S	6/2018	Tucker et al.	D869,085	S 12/2019 Campbell et al.
9,999,246	B2	6/2018	Suzuki et al.	D869,747	S 12/2019 Stone
9,999,252	B2	6/2018	Liu	D869,753	S 12/2019 Yang
9,999,253	B2	6/2018	Li et al.	D870,369	S 12/2019 Greenbaum et al.
D822,271	S	7/2018	Eksouzian	D870,372	S 12/2019 Zhu
D822,592	S	7/2018	Cavalli, III et al.	D874,059	S 1/2020 Bailey et al.
D822,896	S	7/2018	Durand	D877,976	S 3/2020 Ding et al.
D823,537	S	7/2018	Beaver	D878,671	S 3/2020 Stone
D823,689	S	7/2018	Durand	D880,055	S 3/2020 Luo
D824,100	S	7/2018	Scott et al.	10,602,774	B2 3/2020 Hawes et al.
10,015,991	B1	7/2018	Tucker et al.	D881,457	S 4/2020 Ouyang
D825,099	S	8/2018	Wright et al.	10,609,958	B2 4/2020 Robinson et al.
D825,102	S	8/2018	Bowen et al.	10,609,962	B2 4/2020 Zhu
D825,103	S	8/2018	Wright et al.	D883,566	S 5/2020 Filleul et al.
D825,834	S	8/2018	Chen	D901,067	S * 11/2020 Powell ..... D27/101
D825,835	S	8/2018	Verleur et al.	D901,068	S 11/2020 Stone
D825,837	S	8/2018	Abroff et al.	D901,069	S 11/2020 Stone
D825,838	S	8/2018	Abroff et al.	D901,757	S 11/2020 Stone
D825,844	S	8/2018	Verleur et al.	D901,758	S * 11/2020 Stone ..... D27/101
D826,470	S	8/2018	Huang et al.	D905,331	S * 12/2020 Stone ..... D27/170
D827,195	S	8/2018	Chen	D907,285	S * 1/2021 Stone ..... D27/101
D827,922	S	9/2018	Hawes et al.	D907,843	S * 1/2021 Stone ..... D27/101
D829,369	S	9/2018	Stone	D915,666	S 4/2021 Choe
D829,370	S *	9/2018	Stone ..... D27/101	D929,651	S * 8/2021 Powell ..... D27/162
D829,371	S	9/2018	Durand	D930,897	S 9/2021 Qiu et al.
D829,373	S	9/2018	Huang et al.	2011/0290244	A1 12/2011 Schennum
D829,974	S *	10/2018	Stone ..... D27/101	2013/0068239	A1 3/2013 Youn
D829,975	S	10/2018	Stone	2013/0319438	A1 12/2013 Liu
D829,976	S	10/2018	Stone	2014/0060524	A1 3/2014 Liu
D829,977	S *	10/2018	Stone ..... D27/101	2014/0196716	A1 7/2014 Liu
D829,978	S *	10/2018	Stone ..... D27/101	2015/0020827	A1 1/2015 Liu
D829,980	S	10/2018	Qiu	2015/0020828	A1 1/2015 Liu
D830,625	S *	10/2018	Stone ..... D27/101	2015/0027467	A1 1/2015 Liu
D831,271	S	10/2018	Qiu	2015/0034104	A1 2/2015 Zhou
D831,885	S	10/2018	Wang et al.	2015/0059784	A1 3/2015 Liu
D832,499	S	10/2018	Qiu	2015/0128973	A1 5/2015 Li et al.
D832,500	S	10/2018	Qiu	2015/0196056	A1 7/2015 Liu
D832,503	S	10/2018	Blanding	2015/0296889	A1 10/2015 Liu
D833,064	S	11/2018	Verleur et al.	2015/0313288	A1 11/2015 Liu
D834,246	S	11/2018	Qiu	2015/0335072	A1 11/2015 Giller
D834,702	S	11/2018	Evans et al.	2016/0073692	A1 3/2016 Alarcon et al.
D834,743	S	11/2018	Tucker et al.	2016/0073694	A1 3/2016 Liu
D835,337	S	12/2018	Beer et al.	2016/0113327	A1 4/2016 Wu
D836,190	S	12/2018	Evans et al.	2016/0120222	A1 5/2016 Bagai et al.
D836,833	S	12/2018	Simon	2016/0120226	A1 5/2016 Rado
10,143,237	B2	12/2018	Watson	2016/0121058	A1 5/2016 Chen
10,159,285	B2	12/2018	Watson	2016/0135502	A1 5/2016 Wang et al.
D838,900	S	1/2019	Freese	2016/0150821	A1 6/2016 Liu
D841,231	S	2/2019	Hawes et al.	2016/0183593	A1 6/2016 Liu
10,201,188	B2	2/2019	Lin	2016/0183596	A1 6/2016 Rado
D843,648	S	3/2019	Santos	2016/0270446	A1 9/2016 Shenkal et al.
D843,649	S	3/2019	Rasmussen et al.	2016/0331912	A1 11/2016 Trzeciecki
D843,650	S	3/2019	Verleur et al.	2016/0338405	A1 11/2016 Liu
D844,221	S	3/2019	Tucker et al.	2016/0345626	A1 12/2016 Wong et al.
D844,222	S	3/2019	Yamada et al.	2016/0353805	A1 12/2016 Hawes et al.
D844,233	S	3/2019	Yamada et al.	2016/0374396	A1 12/2016 Jordan et al.
D849,318	S	5/2019	Deng et al.	2016/0374397	A1 12/2016 Jordan et al.
10,292,436	B2	5/2019	Cirillo et al.	2017/0127722	A1 5/2017 Davis et al.
D855,251	S	7/2019	Qiu et al.	2017/0143040	A1 5/2017 Liu
D855,877	S	8/2019	Folkerts et al.	2017/0202265	A1 7/2017 Hawes et al.
D855,879	S	8/2019	Sudlow	2017/0215478	A1 8/2017 Harrison et al.
D856,575	S	8/2019	Folkerts et al.	2017/0294804	A1 10/2017 Sur
D859,736	S	9/2019	Sudlow	2017/0295845	A1 10/2017 Bajpai et al.
D862,793	S	10/2019	Chang et al.	2018/0116281	A1 5/2018 Anderson, Jr.
D862,795	S	10/2019	Caldas	2018/0169355	A1 6/2018 Reeve
D863,670	S	10/2019	He et al.	2018/0177234	A1 6/2018 Lee
D863,674	S	10/2019	Chang et al.	2018/0213847	A1 8/2018 Reeve
10,426,198	B2	10/2019	Dendy et al.	2018/0255835	A1 9/2018 Crowe et al.
10,433,585	B2	10/2019	Tucker et al.	2018/0271149	A1 9/2018 Holtz et al.
10,440,993	B2	10/2019	Minskoff et al.	2018/0271151	A1 9/2018 Litten
D868,360	S *	11/2019	Stone ..... D27/101	2018/0279674	A1 10/2018 Watson
D868,361	S *	11/2019	Stone ..... D27/101	2018/0279682	A1 10/2018 Guo et al.
D868,362	S *	11/2019	Stone ..... D27/101	2018/0310618	A1 11/2018 Watson
D868,363	S *	11/2019	Stone ..... D27/101	2018/0339118	A1 11/2018 Ouyang et al.
				2019/0008207	A1 1/2019 Crowe

(56)

**References Cited**

U.S. PATENT DOCUMENTS

2019/0090542 A1 3/2019 Harrison et al.  
2019/0090551 A1 3/2019 Hon

FOREIGN PATENT DOCUMENTS

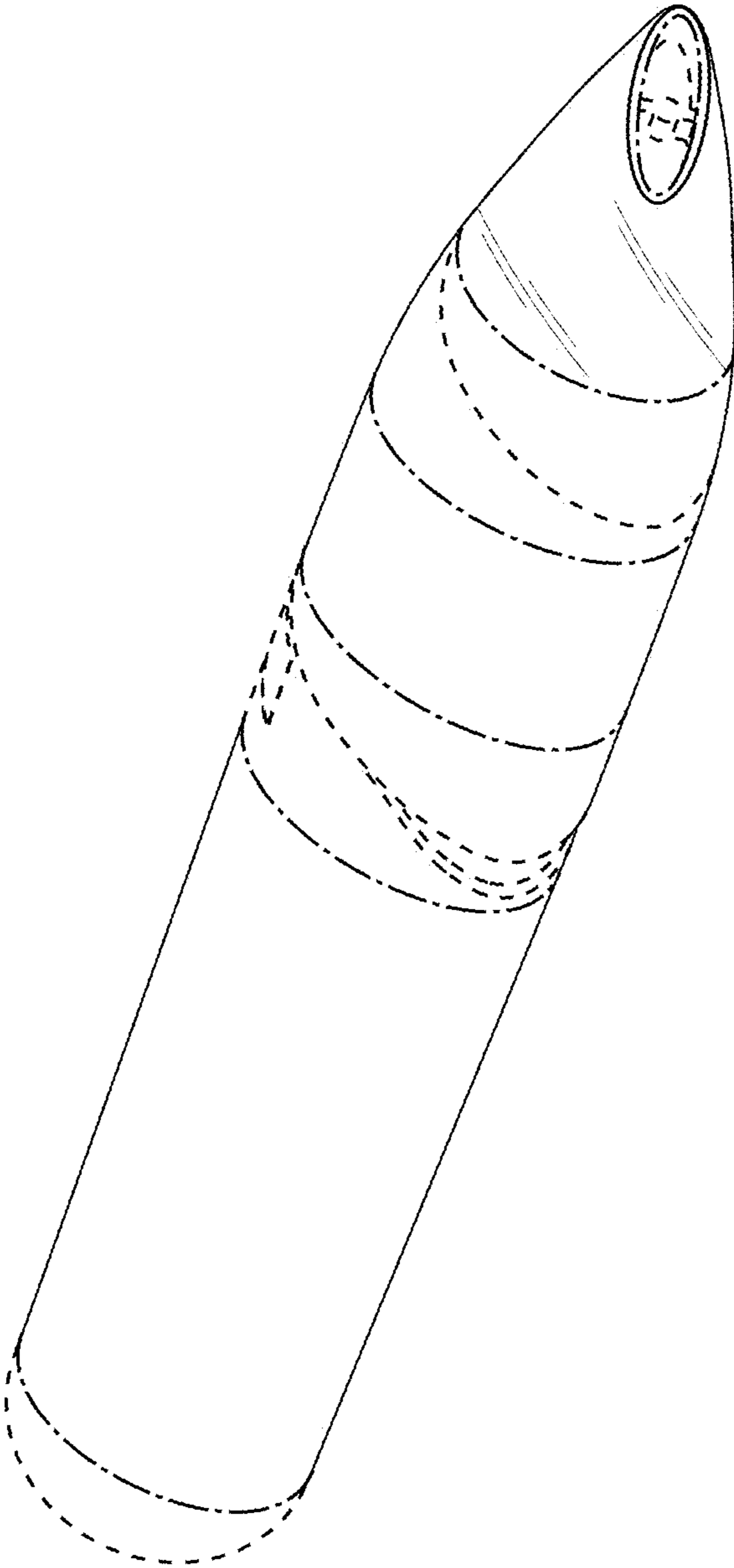
CN	303657684 S	4/2016
TW	D148448	8/2012
TW	D155436	8/2013
TW	D155654	8/2013

OTHER PUBLICATIONS

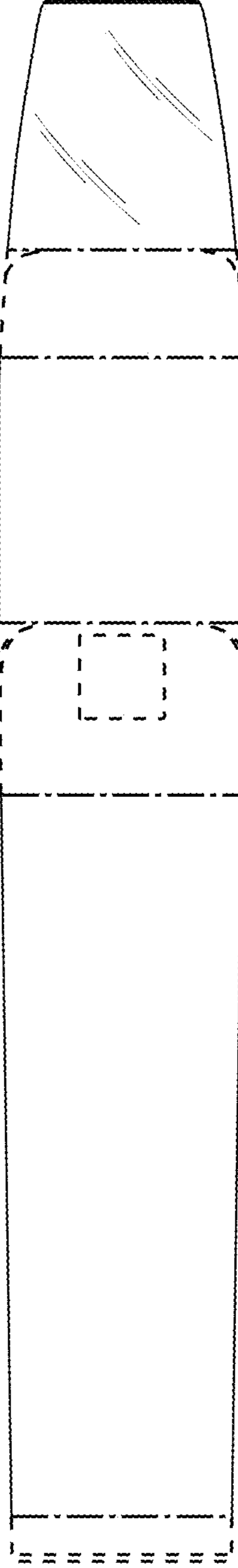
Taiwanese Office Action dated Dec. 12, 2017 in Taiwanese Application No. 106300548.  
Taiwanese Office Action dated Dec. 27, 2017 in Taiwanese Application No. 106300549.  
U.S. Notice of Allowance and Corrected Notice of Allowance dated Jan. 17, 2018 and Feb. 13, 2018 in related U.S. Appl. No. 29/592,199.  
U.S. Office Action dated Jan. 4, 2018 in related U.S. Appl. No. 29/592,185.  
U.S. Office Action dated Jan. 4, 2018 in related U.S. Appl. No. 29/592,202.  
U.S. Notice of Allowance and Corrected Notice of Allowance dated Jan. 17, 2018 and Feb. 13, 2018 in related U.S. Appl. No. 29/592,193.  
U.S. Office Action dated Jan. 5, 2018 in related U.S. Appl. No. 29/592,191.  
U.S. Office Action dated Jan. 4, 2018 in related U.S. Appl. No. 29/592,186.  
U.S. Office Action dated Jan. 4, 2018 in related U.S. Appl. No. 29/592,200.  
U.S. Office Action dated Jan. 5, 2018 in related U.S. Appl. No. 29/592,211.  
U.S. Office Action dated May 14, 2019, in related U.S. Appl. No. 29/662,847.  
U.S. Office Action dated May 14, 2019, in related U.S. Appl. No. 29/662,843.  
U.S. Office Action dated May 23, 2019 in corresponding U.S. Appl. No. 29/662,871.  
U.S. Office Action dated May 23, 2019 in corresponding U.S. Appl. No. 29/662,859.  
U.S. Office Action dated May 23, 2019 in corresponding U.S. Appl. No. 29/662,845.

U.S. Office Action dated May 23, 2019 in corresponding U.S. Appl. No. 29/662,880.  
U.S. Office Action dated May 23, 2019 in corresponding U.S. Appl. No. 29/662,888.  
Notice of Allowance dated Nov. 19, 2019, issued in corresponding U.S. Appl. No. 29/662,845.  
U.S. Office Action dated May 22, 2020 in corresponding U.S. Appl. No. 29/710,932.  
Notice of Allowance dated Jun. 4, 2020, issued in corresponding U.S. Appl. No. 29/710,943.  
Notice of Allowance dated Jun. 4, 2020, issued in corresponding U.S. Appl. No. 29/710,946.  
Notice of Allowance dated Jun. 4, 2020, issued in corresponding U.S. Appl. No. 29/710,936.  
Notice of Allowance dated Jun. 4, 2020, issued in corresponding U.S. Appl. No. 29/710,972.  
U.S. Office Action dated Jun. 5, 2020 in corresponding U.S. Appl. No. 29/710,951.  
U.S. Office Action dated Jun. 5, 2020 in corresponding U.S. Appl. No. 29/710,957.  
Notice of Allowance dated July 6, 2020, issued in corresponding U.S. Appl. No. 29/710,943.  
Notice of Allowance dated July 2, 2020, issued in corresponding U.S. Appl. No. 29/710,946.  
Notice of Allowance dated July 6, 2020, issued in corresponding U.S. Appl. No. 29/710,936.  
Notice of Allowance dated July 2, 2020, issued in corresponding U.S. Appl. No. 29/710,972.  
Notice of Allowance dated Aug. 26, 2020, issued in corresponding U.S. Appl. No. 29/710,932.  
Notice of Allowance dated Sep. 11, 2020, issued in corresponding U.S. Appl. No. 29/710,957.  
Notice of Allowance dated Sep. 16, 2020, issued in corresponding U.S. Appl. No. 29/710,951.  
Office Action dated Nov. 12, 2021, issued in corresponding U.S. Appl. No. 29/756,808.  
Office Action dated Nov. 12, 2021, issued in corresponding U.S. Appl. No. 29/756,815.  
Office Action dated Jan. 27, 2022, issued in corresponding U.S. Appl. No. 29/756,812.  
Notice of Allowance dated Feb. 24, 2022, issued in corresponding U.S. Appl. No. 29/756,815.  
Notice of Allowance dated Mar. 2, 2022, issued in corresponding U.S. Appl. No. 29/756,808.

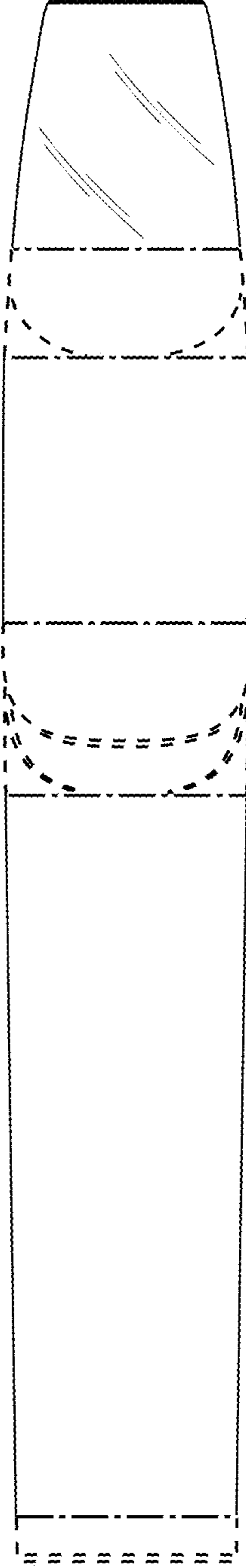
\* cited by examiner



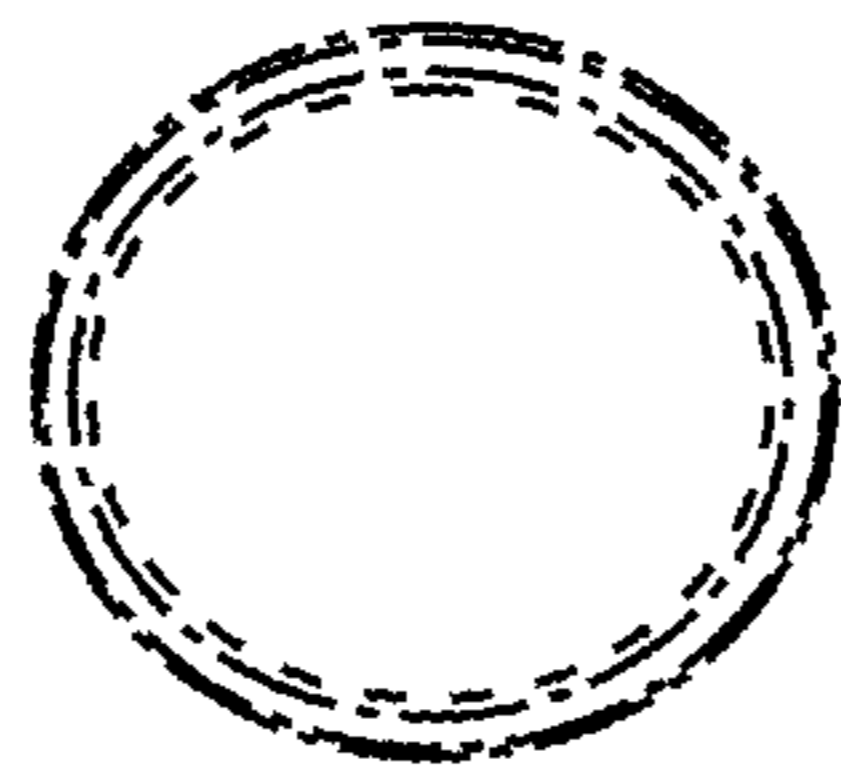
**FIG. 1**



**FIG. 2**

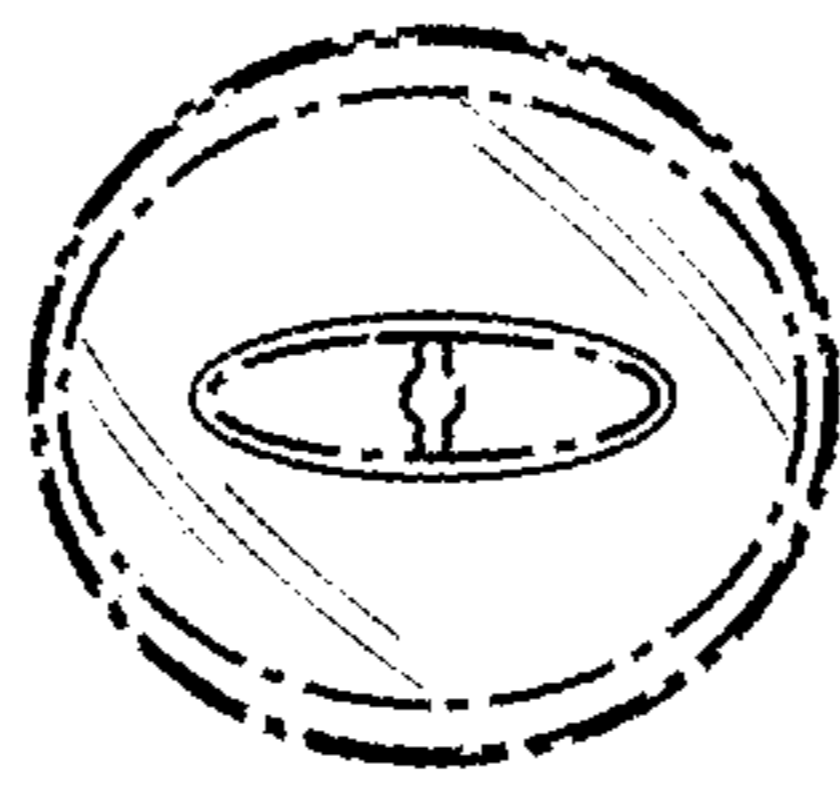


**FIG. 3**

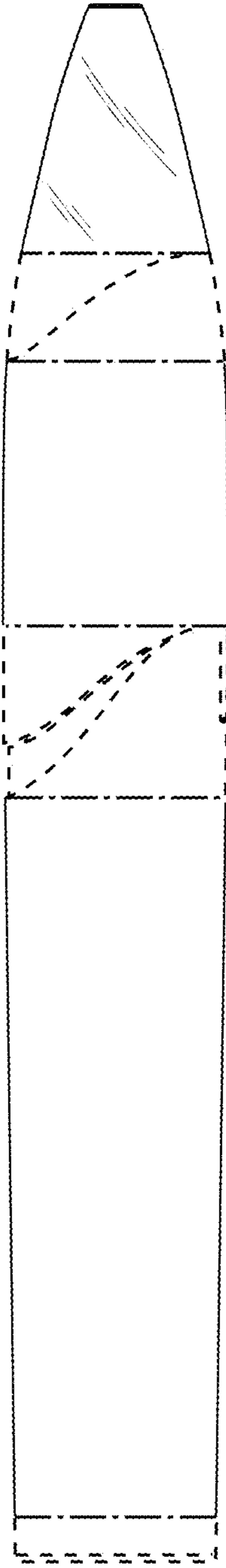


**FIG. 4**

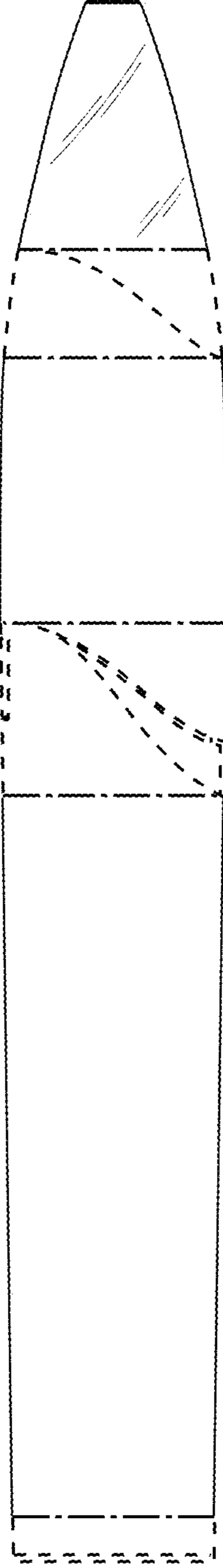




**FIG. 5**



**FIG. 6**



**FIG. 7**