



US00D957723S

(12) **United States Design Patent** (10) **Patent No.:** **US D957,723 S**  
**Shen** (45) **Date of Patent:** **\*\* Jul. 12, 2022**

(54) **WORK LIGHT STAND**  
(71) Applicant: **NINGBO TALLER ELECTRICAL APPLIANCE CO., LTD.**, Yuyao (CN)

D623,348 S \* 9/2010 Tsai ..... D26/140  
D780,762 S \* 3/2017 Ju ..... D14/434  
9,676,214 B2 \* 6/2017 Supron ..... B41J 29/04  
(Continued)

(72) Inventor: **Jianli Shen**, Yuyao (CN)  
(73) Assignee: **NINGBO TALLER ELECTRICAL APPLIANCE CO., LTD.**, Yuyao (CN)

FOREIGN PATENT DOCUMENTS

CA 165884 \* 11/2016  
CN 303250243 \* 6/2015  
CN 303607852 \* 3/2016  
(Continued)

(\*\*) Term: **15 Years**  
(21) Appl. No.: **29/751,043**

OTHER PUBLICATIONS

“Hyperikon” reference by Hyperikon on Amazon.com, date first available Oct. 18, 2017 [online], site visited Feb. 7, 2022, available from internet URL: [https://www.amazon.com/dp/B076JJNB88/ref=cm\\_sw\\_em\\_r\\_mt\\_dp\\_ABDPB535YYAYGA84TJ56](https://www.amazon.com/dp/B076JJNB88/ref=cm_sw_em_r_mt_dp_ABDPB535YYAYGA84TJ56) (Year: 2017).\*  
(Continued)

(22) Filed: **Sep. 18, 2020**  
(30) **Foreign Application Priority Data**  
Aug. 20, 2020 (CN) ..... 202030480492.5  
(51) **LOC (13) Cl.** ..... **26-05**  
(52) **U.S. Cl.**  
USPC ..... **D26/138**  
(58) **Field of Classification Search**  
USPC ..... D26/72, 113, 118–122, 138–142, 145,  
D26/152, 154, 155, 24, 74, 85, 123, 124,  
D26/128–134, 137, 37, 44, 50  
CPC .... F21S 8/00; F21K 9/20; F21K 9/237; F21V  
15/013; F21V 17/04; F21V 21/00; F21V  
21/02  
See application file for complete search history.

*Primary Examiner* — Marissa J Cash  
*Assistant Examiner* — Liv C Anderson  
(74) *Attorney, Agent, or Firm* — Bayramoglu Law Offices LLC

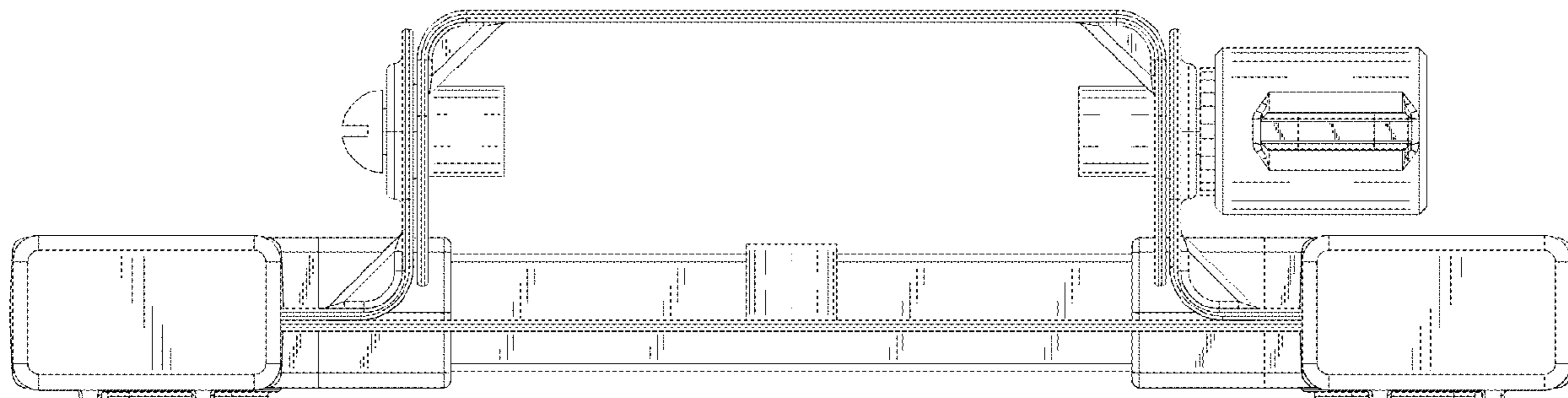
(57) **CLAIM**  
The ornamental design for a work light stand, as shown and described.

**DESCRIPTION**

FIG. 1 is a front view of a work light stand showing my new design;  
FIG. 2 is a rear view thereof;  
FIG. 3 is a left side view thereof;  
FIG. 4 is a right side view thereof;  
FIG. 5 is a top view thereof;  
FIG. 6 is a bottom view thereof; and,  
FIG. 7 is a perspective view thereof.  
The broken lines in the drawings depict portions of the work light stand that form no part of the claimed design.

(56) **References Cited**  
U.S. PATENT DOCUMENTS  
D264,008 S \* 4/1982 Barozzini ..... D26/113  
4,716,344 A \* 12/1987 Newell ..... G05B 19/0421  
362/418  
D362,663 S \* 9/1995 Nguyen ..... D14/434  
D553,771 S \* 10/2007 Watson ..... D26/37  
D556,353 S \* 11/2007 Gebhard ..... D26/48  
D616,597 S \* 5/2010 Chen ..... D26/140  
D623,347 S \* 9/2010 Tsai ..... D26/140

**1 Claim, 7 Drawing Sheets**



(56)

**References Cited**

U.S. PATENT DOCUMENTS

D822,891 S \* 7/2018 Hamer ..... D26/142

FOREIGN PATENT DOCUMENTS

CN	304909774	*	11/2018
CN	208332077 U		1/2019
GB	6044132	*	9/2018
GB	6074533	*	10/2019
JP	D1554847	*	6/2016

OTHER PUBLICATIONS

“Makita” reference by Amazon.com, date first available Jul. 1, 2015 [online], site visited Feb. 7, 2022, available from internet URL: [https://www.amazon.com/dp/B010SV3000/ref=cm\\_sw\\_em\\_r\\_mt\\_dp\\_F8KV8M1GQYSA0RD4YN32](https://www.amazon.com/dp/B010SV3000/ref=cm_sw_em_r_mt_dp_F8KV8M1GQYSA0RD4YN32) (Year: 2015).\*

“Worx” reference by Amazon.com, date first available Dec. 1, 2016 [online], site visited Feb. 7, 2022, available from internet URL: [https://www.amazon.com/dp/B01MSMI3AS/ref=cm\\_sw\\_em\\_r\\_mt\\_dp\\_K00AN0FCTE9GANKBKP2K](https://www.amazon.com/dp/B01MSMI3AS/ref=cm_sw_em_r_mt_dp_K00AN0FCTE9GANKBKP2K) (Year: 2016).\*

“Stanley” reference by LUTEC on Amazon.com, date first available Aug. 10, 2019 [online], site visited Feb. 7, 2022, available from internet URL: [https://www.amazon.com/dp/B07VGVMRQQ/ref=cm\\_sw\\_em\\_r\\_mt\\_dp\\_KDG3TA6J5ESG2VQYZRJT](https://www.amazon.com/dp/B07VGVMRQQ/ref=cm_sw_em_r_mt_dp_KDG3TA6J5ESG2VQYZRJT) (Year: 2019).\*

“Olafus” reference by Olafus on Amazon.com, date first available Aug. 20, 2020 [online], site visited Feb. 7, 2022, available from internet URL: [https://www.amazon.com/dp/B08GCH5VYD/ref=cm\\_sw\\_em\\_r\\_mt\\_dp\\_HTAFPW4TNKW6MPHDCT0](https://www.amazon.com/dp/B08GCH5VYD/ref=cm_sw_em_r_mt_dp_HTAFPW4TNKW6MPHDCT0) (Year: 2020).\*

\* cited by examiner

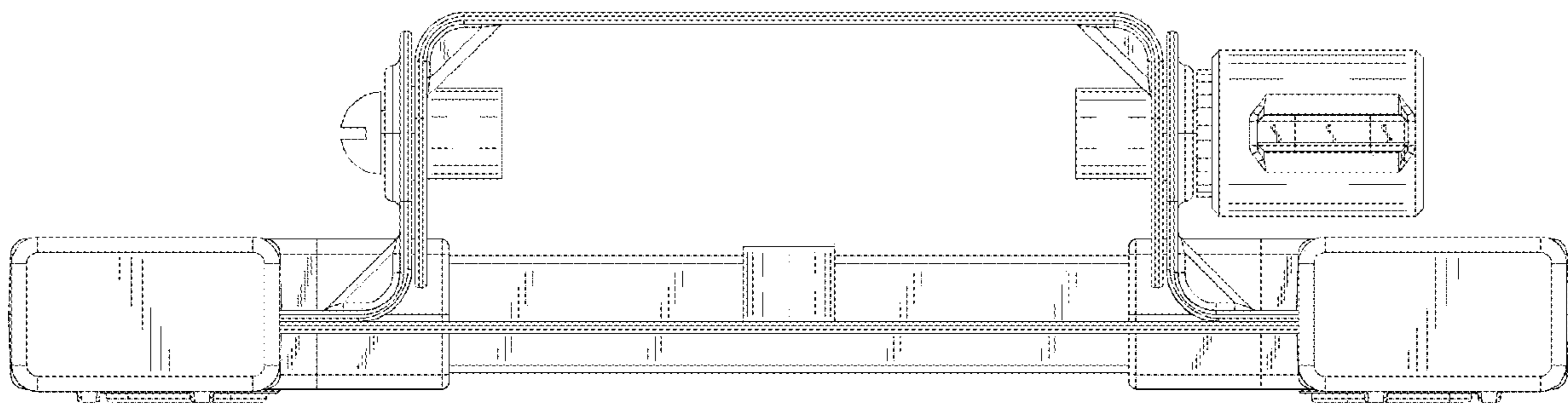


FIG. 1

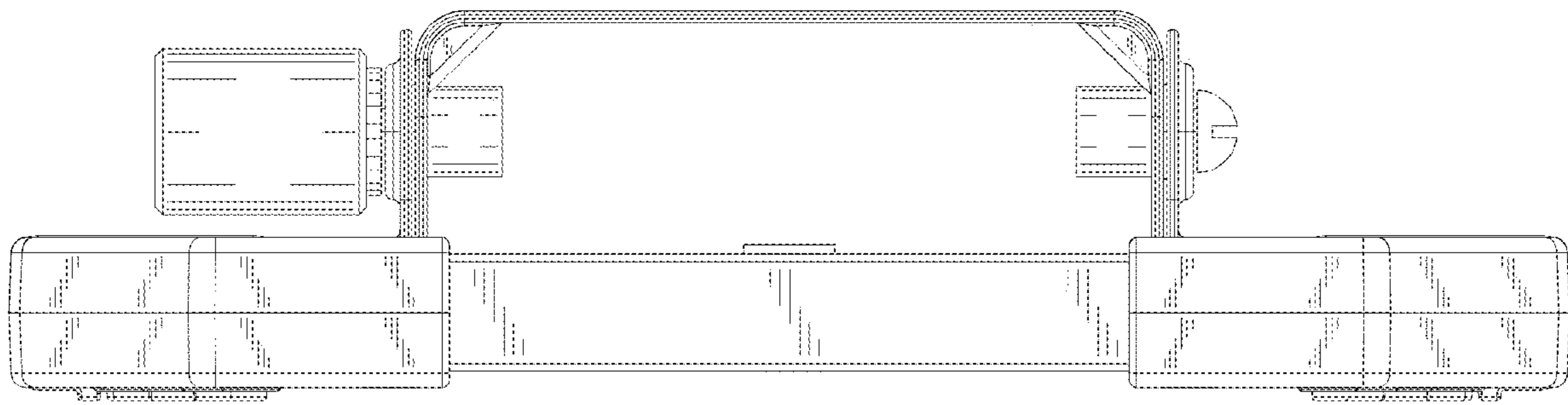


FIG. 2

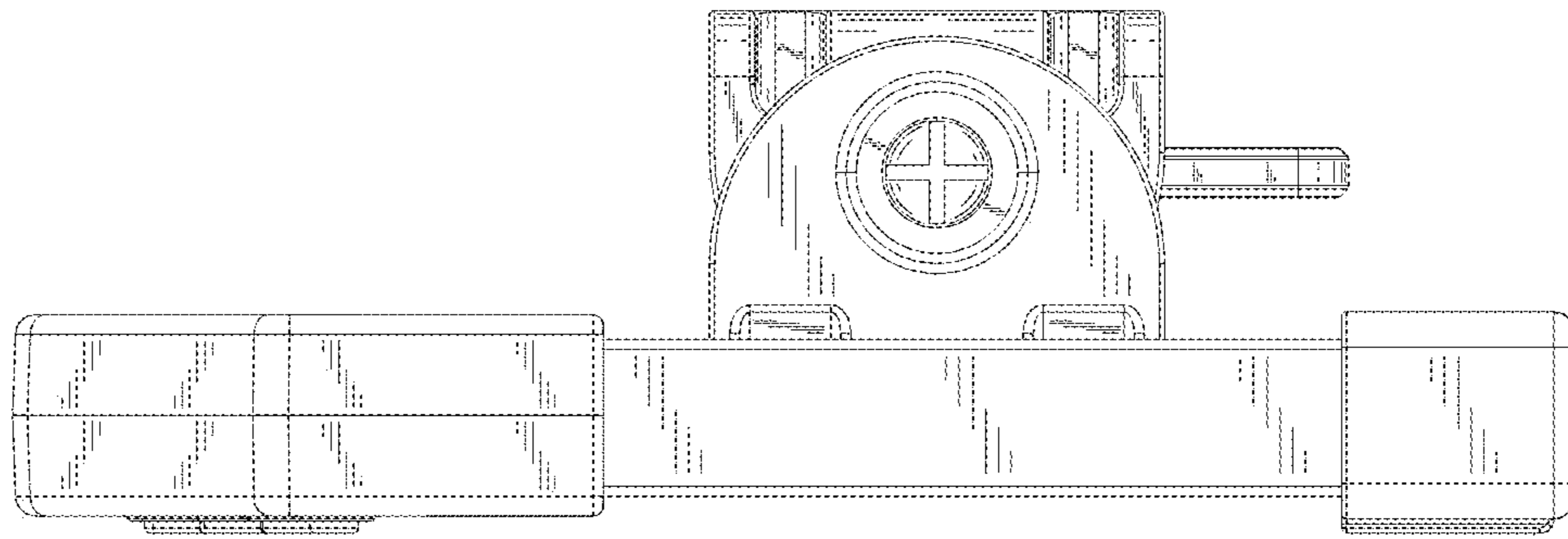


FIG. 3

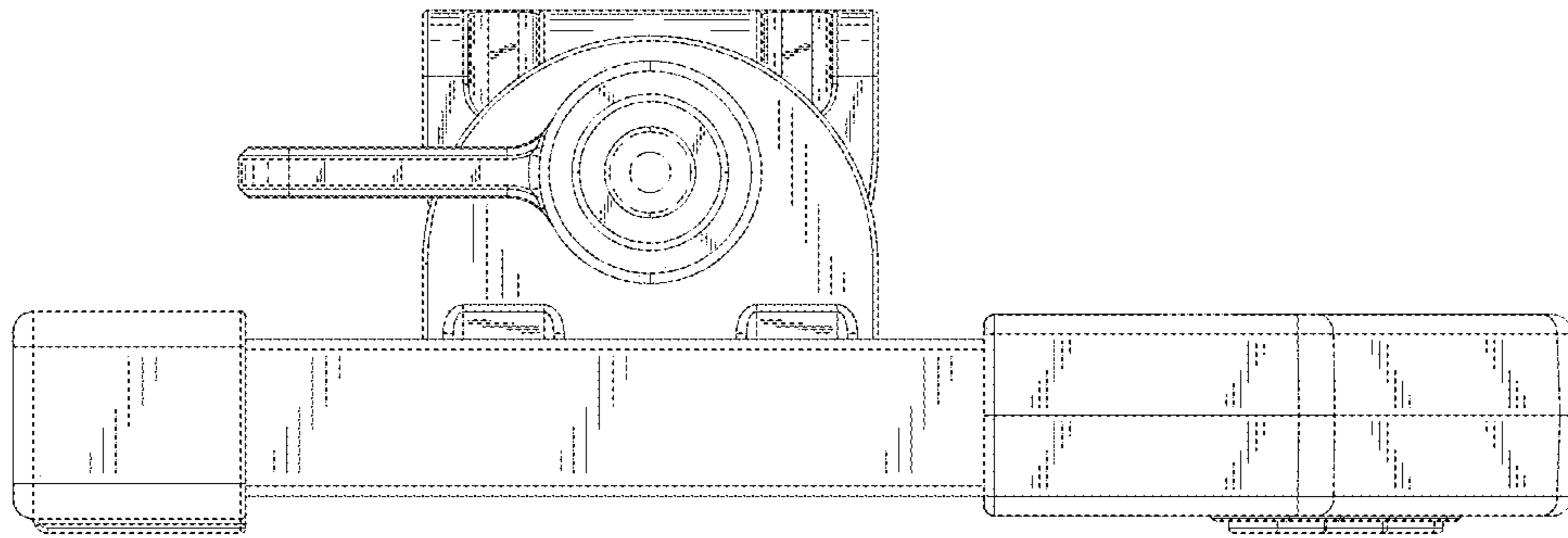


FIG. 4

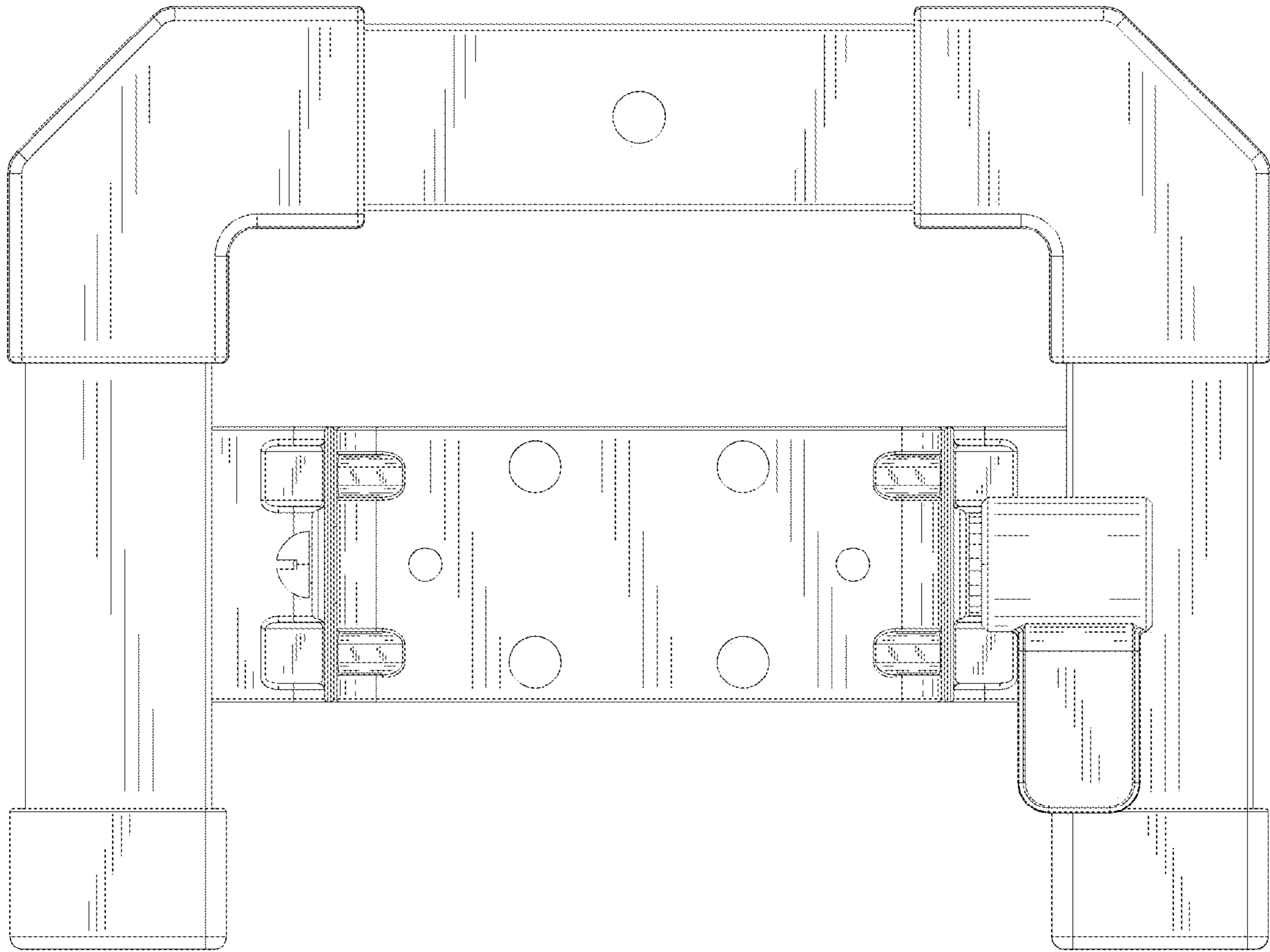


FIG. 5

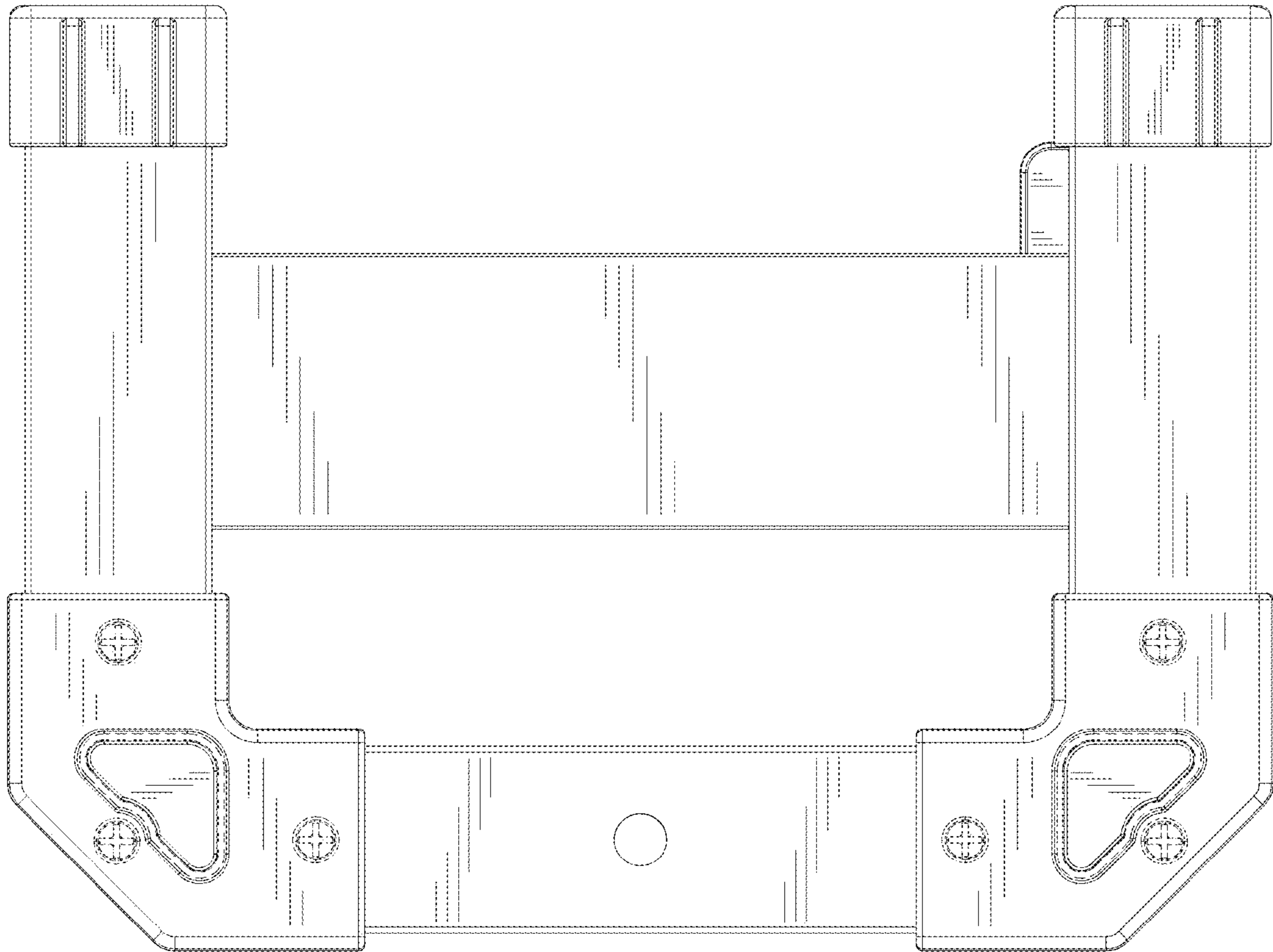


FIG. 6



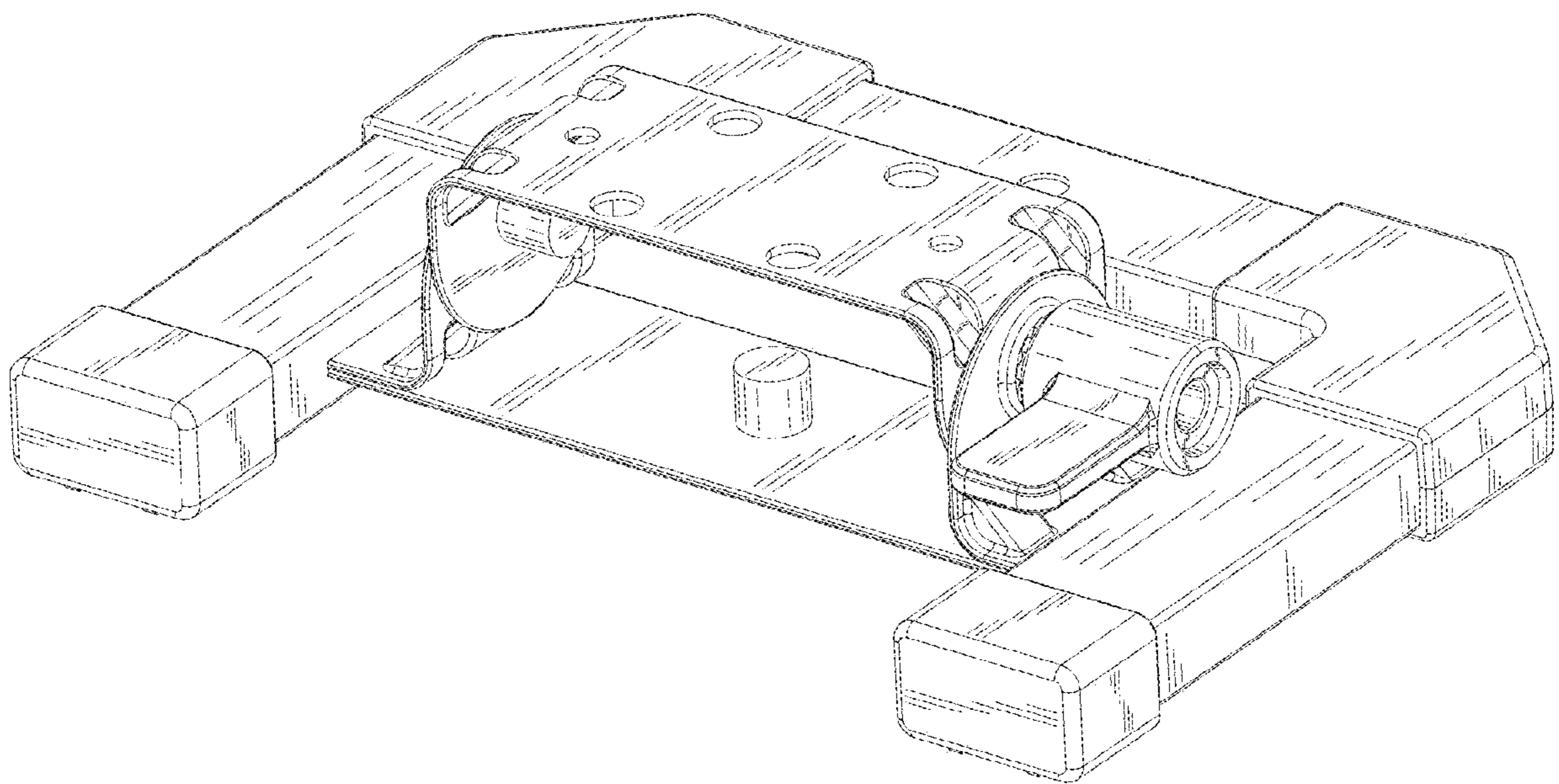


FIG. 7