



US00D957721S

(12) **United States Design Patent**
Wang

(10) **Patent No.:** **US D957,721 S**
(45) **Date of Patent:** **** Jul. 12, 2022**

(54) **PLANT LIGHT**

(71) Applicant: **SHENZHEN SAN'AI PHOTOELECTRIC TECHNOLOGY CO., LTD.**, Shenzhen (CN)

(72) Inventor: **Wei Wang**, Shenzhen (CN)

(73) Assignee: **SHENZHEN SAN'AI PHOTOELECTRIC TECHNOLOGY CO., LTD.**, Shenzhen (CN)

(**) Term: **15 Years**

(21) Appl. No.: **29/784,745**

(22) Filed: **May 21, 2021**

(51) **LOC (13) Cl.** **26-05**

(52) **U.S. Cl.**
USPC **D26/118**

(58) **Field of Classification Search**
USPC D26/72, 74, 120, 138, 24, 28, 118
CPC F21V 29/75; F21Y 2115/10
See application file for complete search history.

(56) **References Cited**

U.S. PATENT DOCUMENTS

D302,324 S *	7/1989	Moran	D26/80
D366,947 S *	2/1996	Brown	D26/37
D508,577 S *	8/2005	Foo	D26/28
D592,778 S *	5/2009	Chang	D26/28
D617,474 S *	6/2010	Huang	D26/2
D626,666 S *	11/2010	Yamamoto	D26/2
D635,292 S *	3/2011	Chiang	D26/88
D648,472 S *	11/2011	Lin	D26/63
D686,354 S *	7/2013	Feigenbaum	D26/24
D690,842 S *	10/2013	Feigenbaum	D26/24
D696,441 S *	12/2013	Audette	D26/24
D698,914 S *	2/2014	Love	D23/377
D702,867 S *	4/2014	Kim	D26/88
D718,892 S *	12/2014	Kim	D26/24

D745,713 S *	12/2015	Hansen	D26/28
D779,093 S *	2/2017	Gajewski	D26/59
D802,197 S *	11/2017	Ding	D26/63

(Continued)

FOREIGN PATENT DOCUMENTS

IN 341068 * 7/2020

OTHER PUBLICATIONS

LED Grow Light, Shengsite 75W Plant Grow Lights for Indoor House Plants, posted to amazon.com. Available date: May 4, 2017 [site visited Mar. 4, 2022] Available: <<https://www.amazon.com/Shengsite-Hydroponics-Germination-Succulents-Vegetative/dp/B072HNNSFZ>> (Year: 2017).*

(Continued)

Primary Examiner — Kevin K Rudzinski

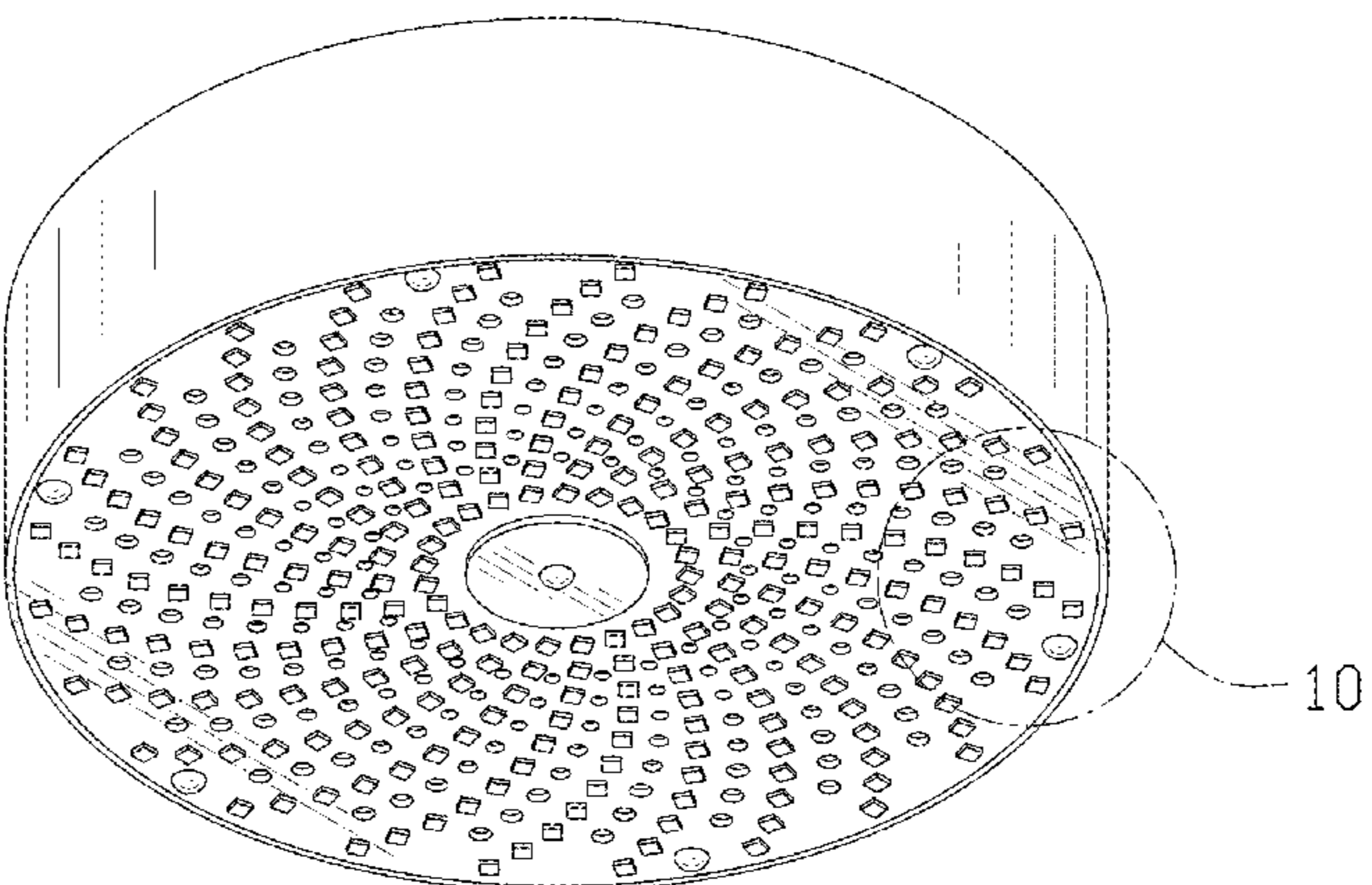
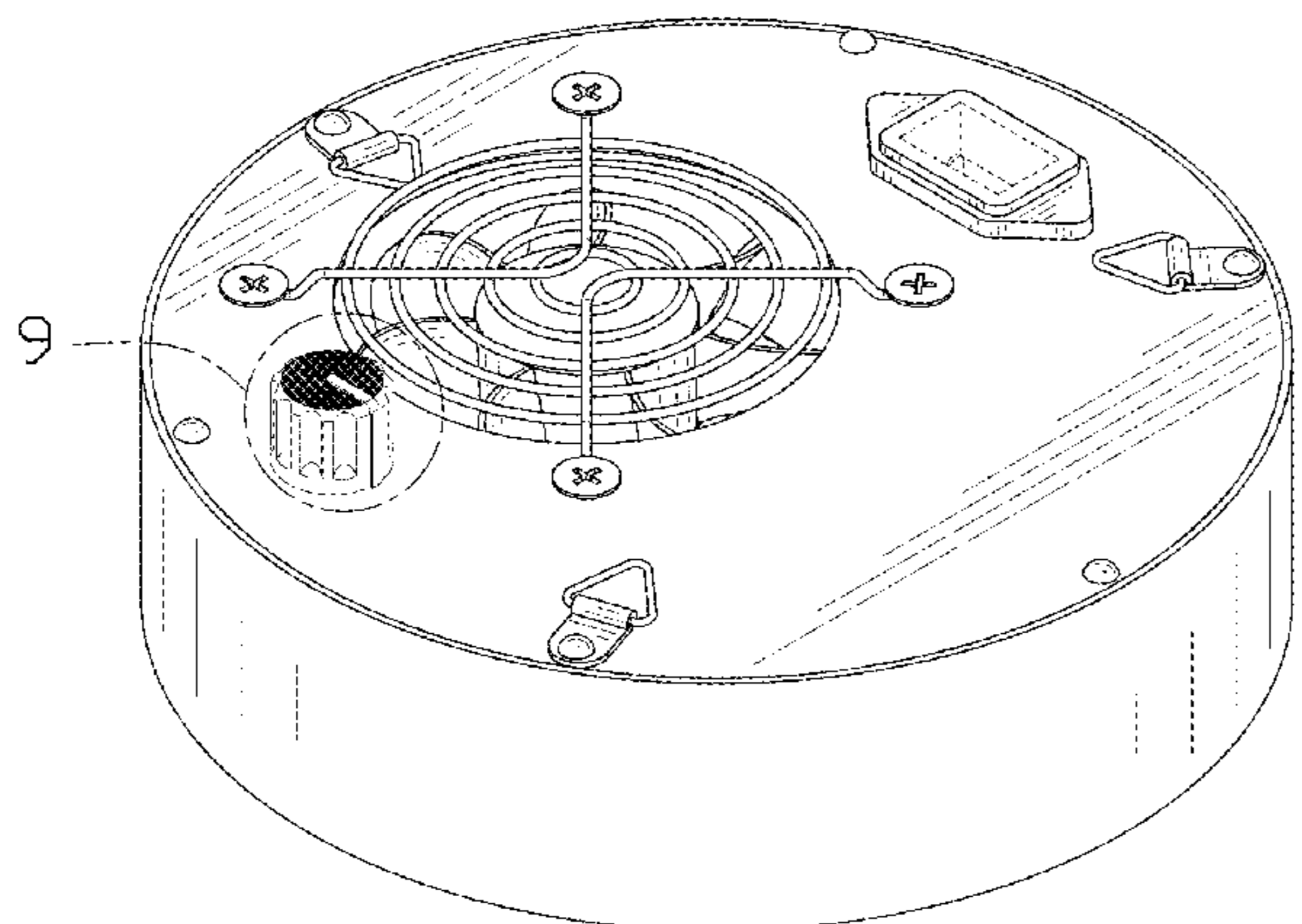
(57) **CLAIM**

The ornamental design for a plant light, as shown and described.

DESCRIPTION

FIG. 1 is a perspective view of a plant light showing my new design;
FIG. 2 is another perspective view thereof;
FIG. 3 is a front elevational view thereof;
FIG. 4 is a rear elevational view thereof;
FIG. 5 is a left side elevational view thereof;
FIG. 6 is a right side elevational view thereof;
FIG. 7 is a top plan view thereof;
FIG. 8 is a bottom plan view thereof;
FIG. 9 is an enlarged view of portion 9 shown in FIG. 1; and,
FIG. 10 is an enlarged view of portion 10 shown in FIG. 2.
The dash-dash broken lines in the drawings depict portions of the plant light that form no part of the claimed design. The dot-dash broken lines represent boundaries of the enlarged portions and form no part of the claimed design.

1 Claim, 10 Drawing Sheets



(56)

References Cited

U.S. PATENT DOCUMENTS

D845,532 S	*	4/2019	Zhu	D26/88
D858,839 S	*	9/2019	Deng	D26/63
D870,346 S		12/2019	Deng	
D877,965 S	*	3/2020	Vaccari	D26/118
D882,854 S	*	4/2020	Yang	D26/88
D889,024 S		6/2020	Deng	
D892,199 S	*	8/2020	Peng	D26/44
D900,760 S	*	11/2020	Kouzuma	D15/126
D905,324 S	*	12/2020	Vaccari	D26/118
D936,266 S	*	11/2021	Sung	D26/72
D942,664 S	*	2/2022	Xie	D26/72

OTHER PUBLICATIONS

Best UFO LED Grow Light Reviews by Candace Osmond, posted to backyaedboss.net. Available date: May 10, 2018 [site visited Mar. 3, 2022] Available: <<https://www.backyardboss.net/best-ufo-led-grow-light-reviews/>> (Year: 2018).*

Apollo Horticulture GL60LED Full Spectrum LED Grow Light for Plant Growing, posted to amazon.com. Available date: Aug. 5, 2014 [site visited Mar. 3, 2022] Available: <https://www.amazon.com/Apollo-Horticulture-GL60LED-Spectrum-Growing/dp/B00FGFW0XO/ref=as_li_ss_tl?s=aps&ie=UTF8&qid=1478902944&sr=1-1-catcorr&keywords=135w%2BUFO&linkCode=s11&tag=sb-desi-20&linkId=489f6d39bc92052cc0eaf88b8b90ff0&th=1> (Year: 2014).*

150W White UFO LED High Bay Light posted to superbrightleds.com. Available date: Apr. 29, 2019 [site visited Mar. 3, 2022] Available: <<https://www.superbrightleds.com/moreinfo/ufo-high-bay-lights/150w-white-ufo-led-high-bay-light-400w-equivalent-19500-lumens-5000k/5542/12572/>> (Year: 2019).*

240W LED High Bay Light by YELLORE, posted to amazon.com. Available date: May 23, 2016 [site visited Mar. 3, 2022] Available: <<https://www.amazon.com/Dimmable-Commercial-Lighting-Factory-Warehouse/dp/B075QF4JBX?th=1>> (Year: 2016).*

UFO Led Grow Light by GROESTAR, posted to amazon.com. Available date: Jun. 21, 2017 [site visited May 13, 2022] Available: <<https://www.amazon.com/Growstar-Spectrum-Switch-Flowering-Growing/dp/B07312WKX2>> (Year: 2017).*

* cited by examiner

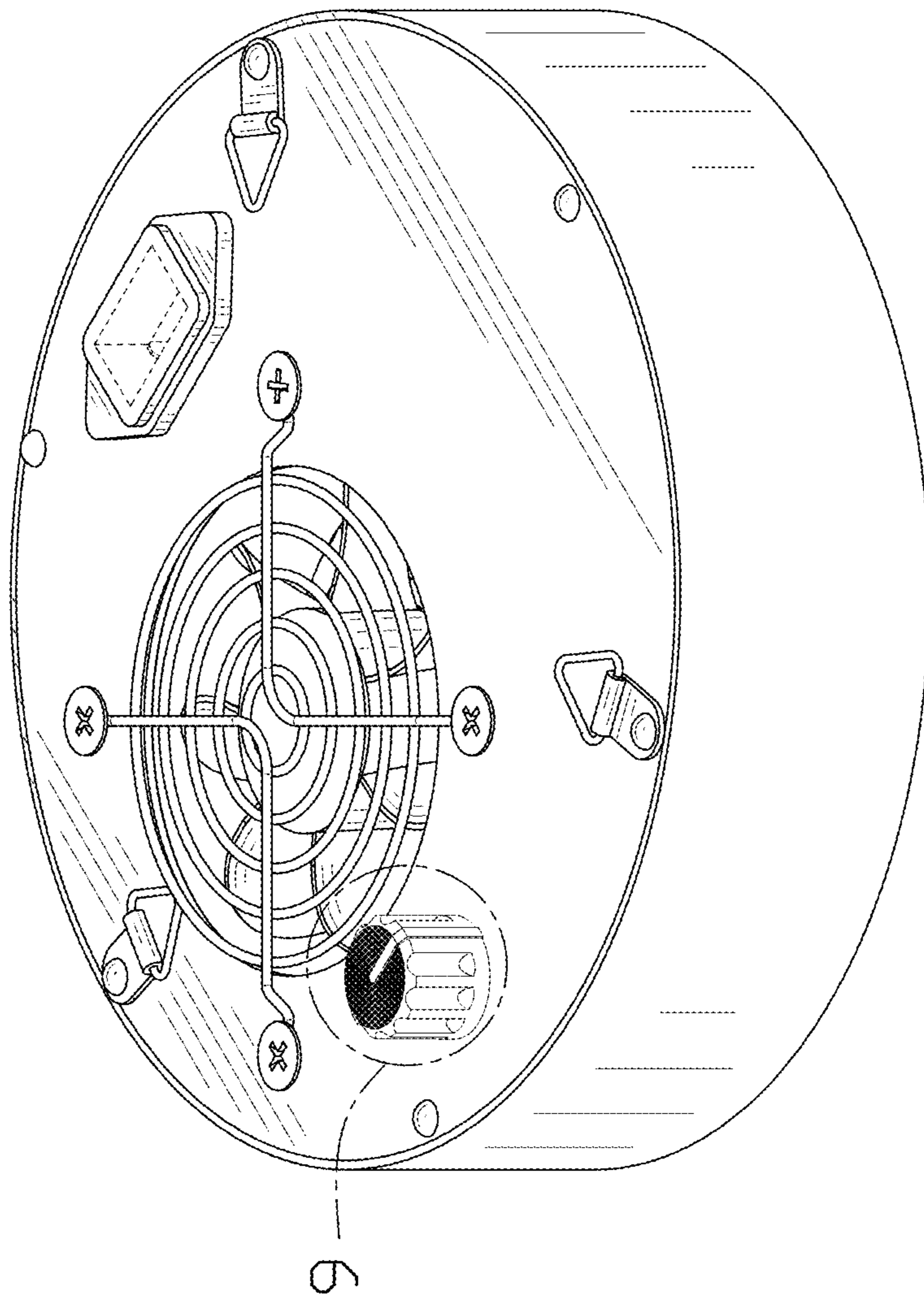


FIG. 1

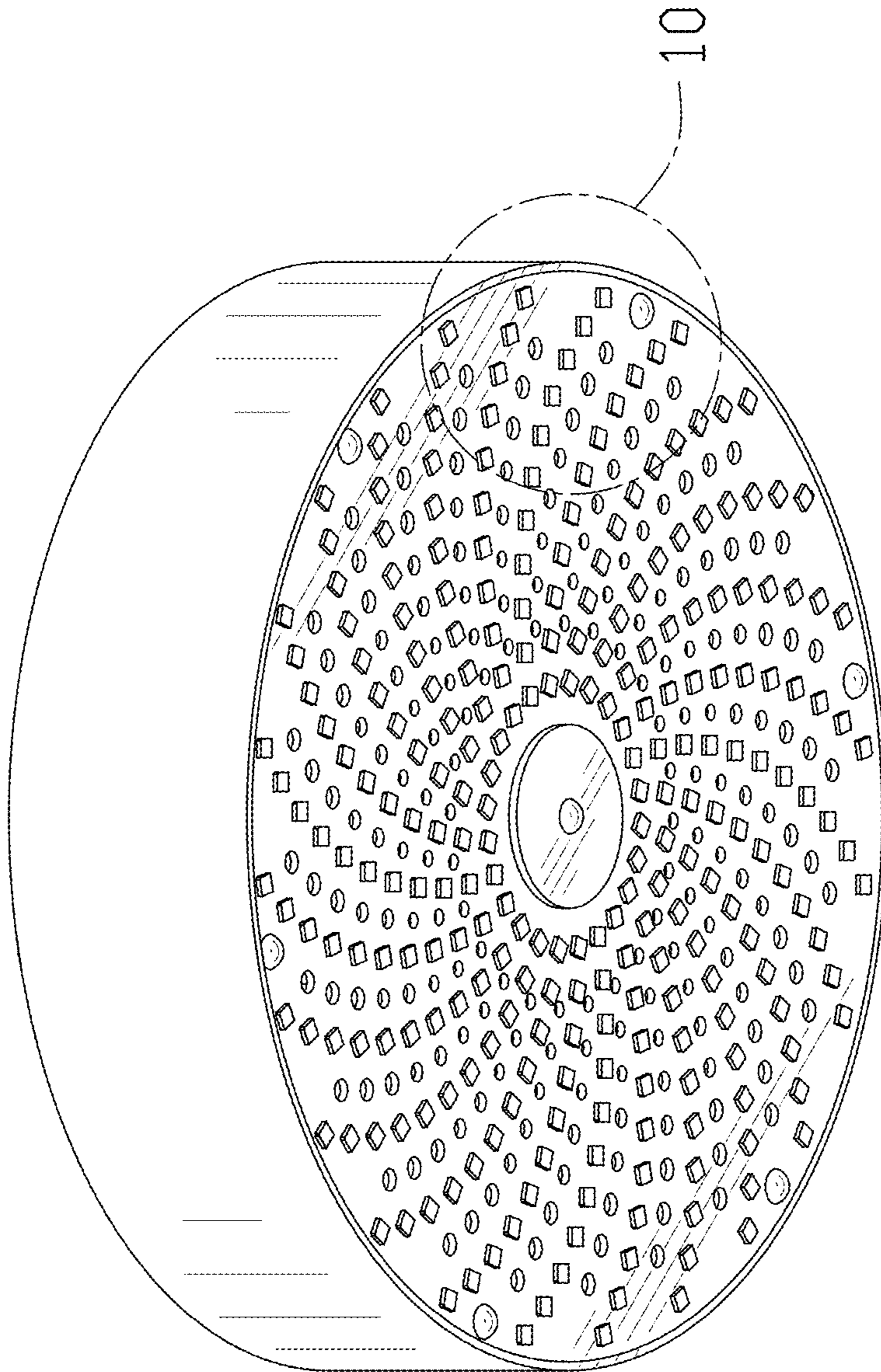


FIG. 2

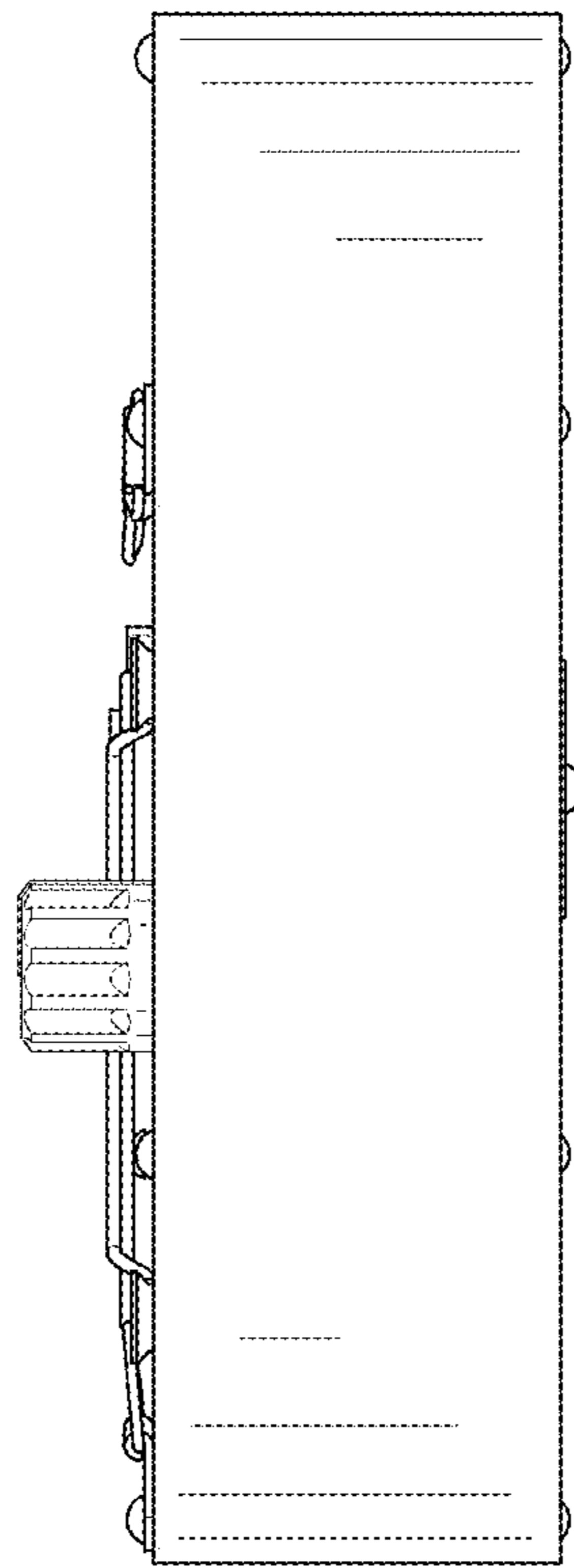


FIG. 3

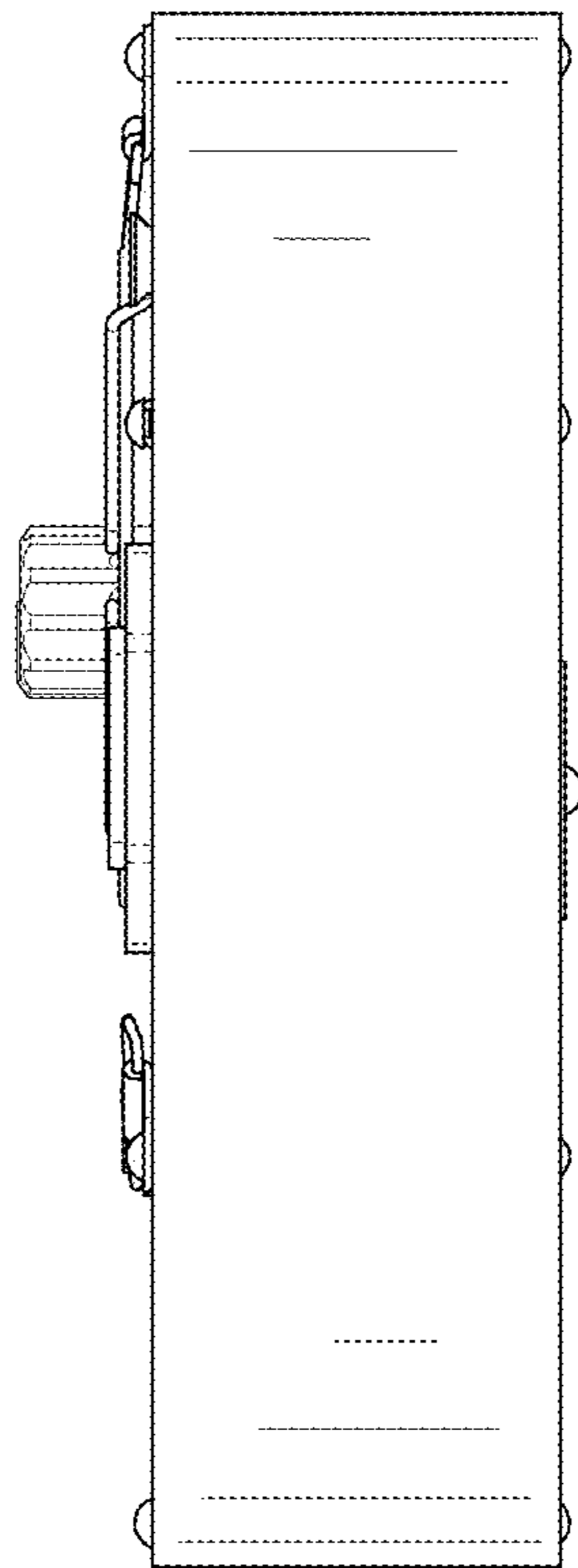


FIG. 4

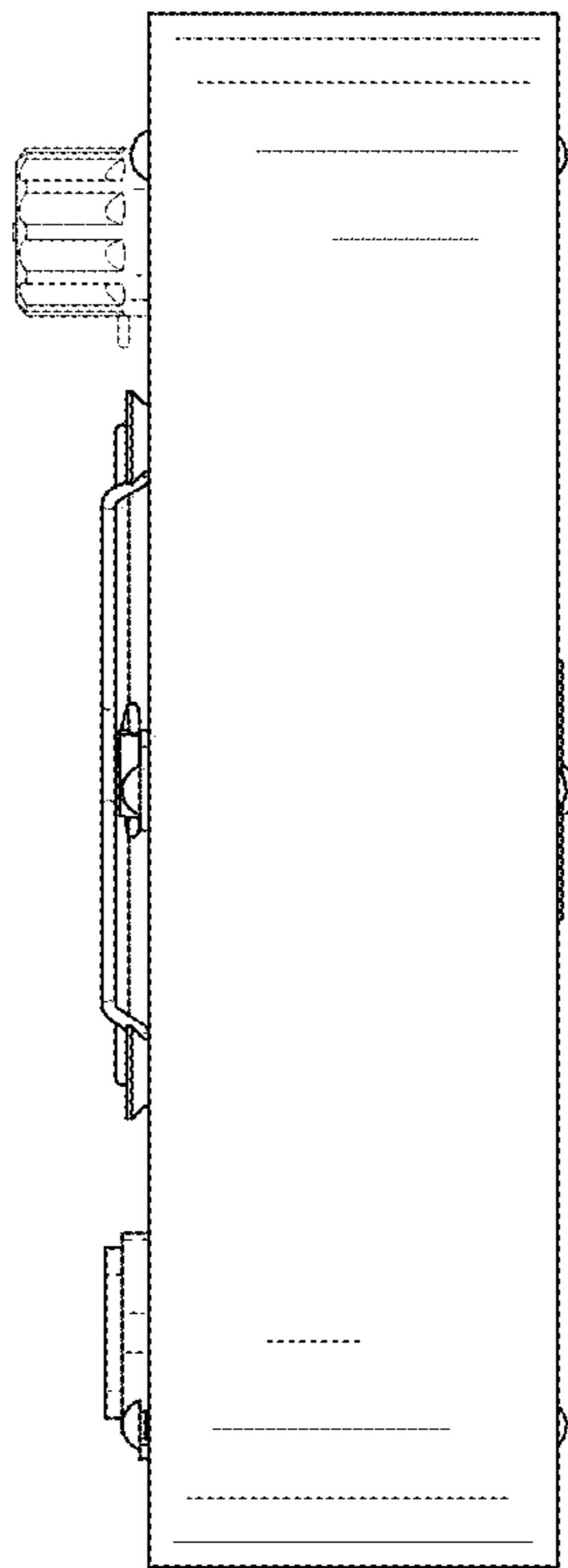


FIG. 5

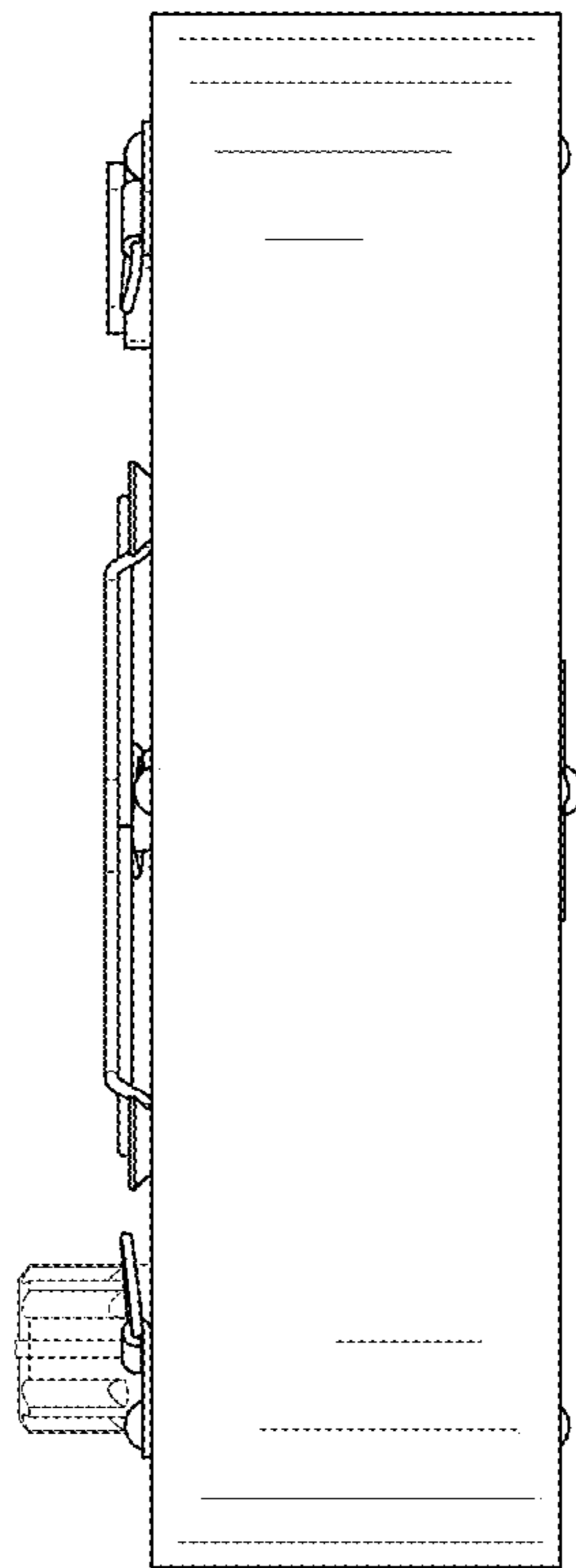


FIG. 6

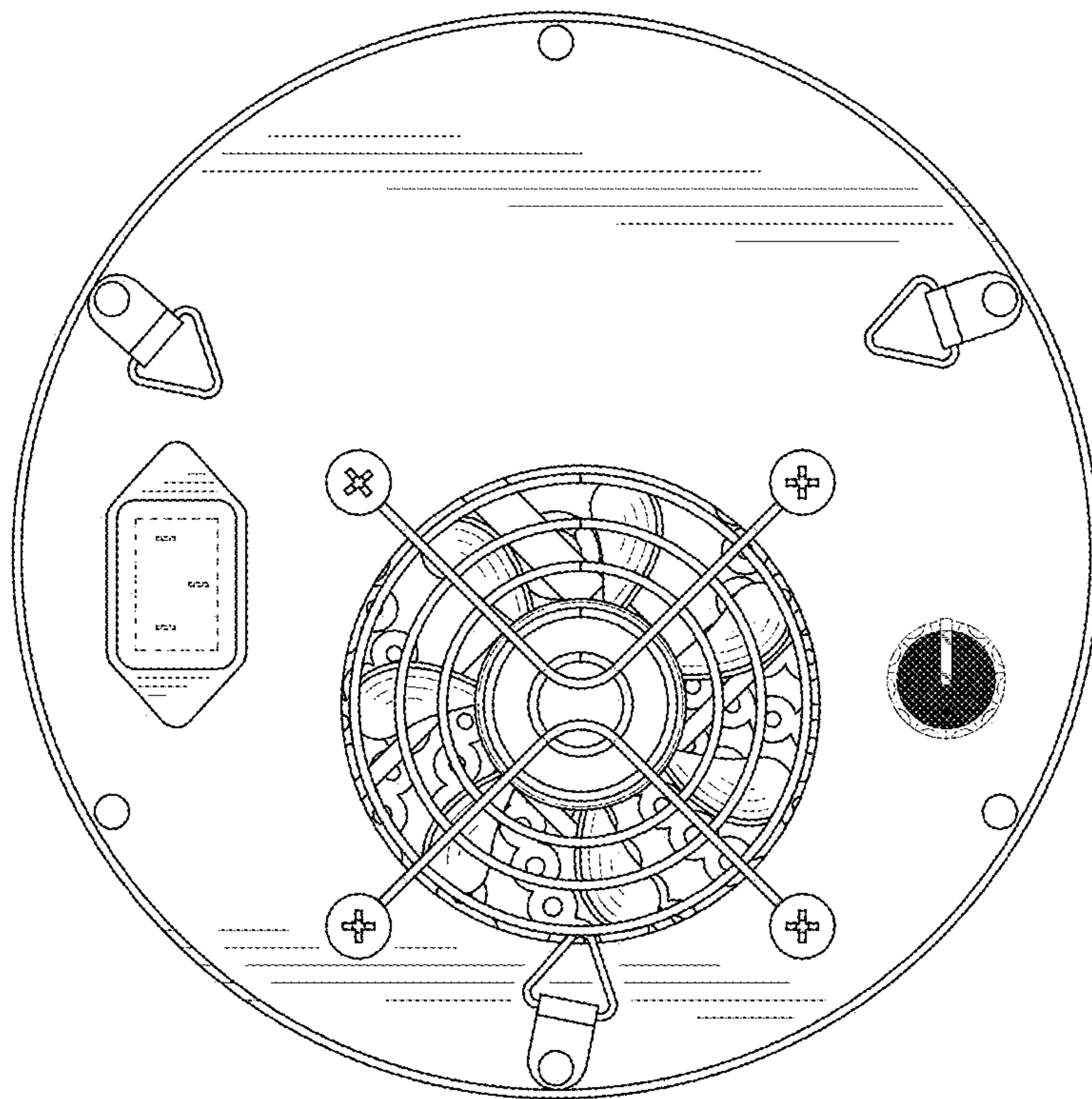


FIG. 7

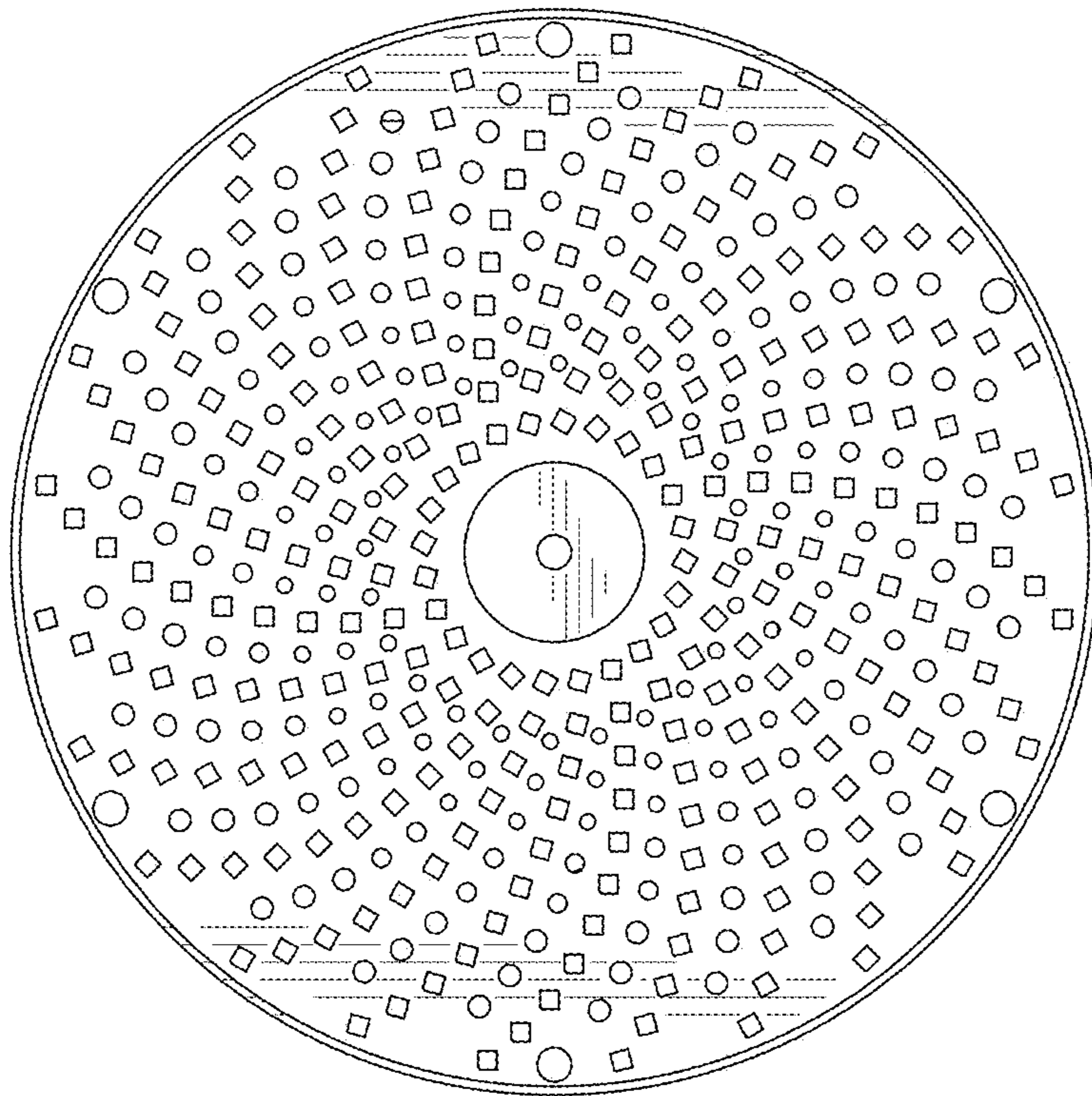


FIG. 8

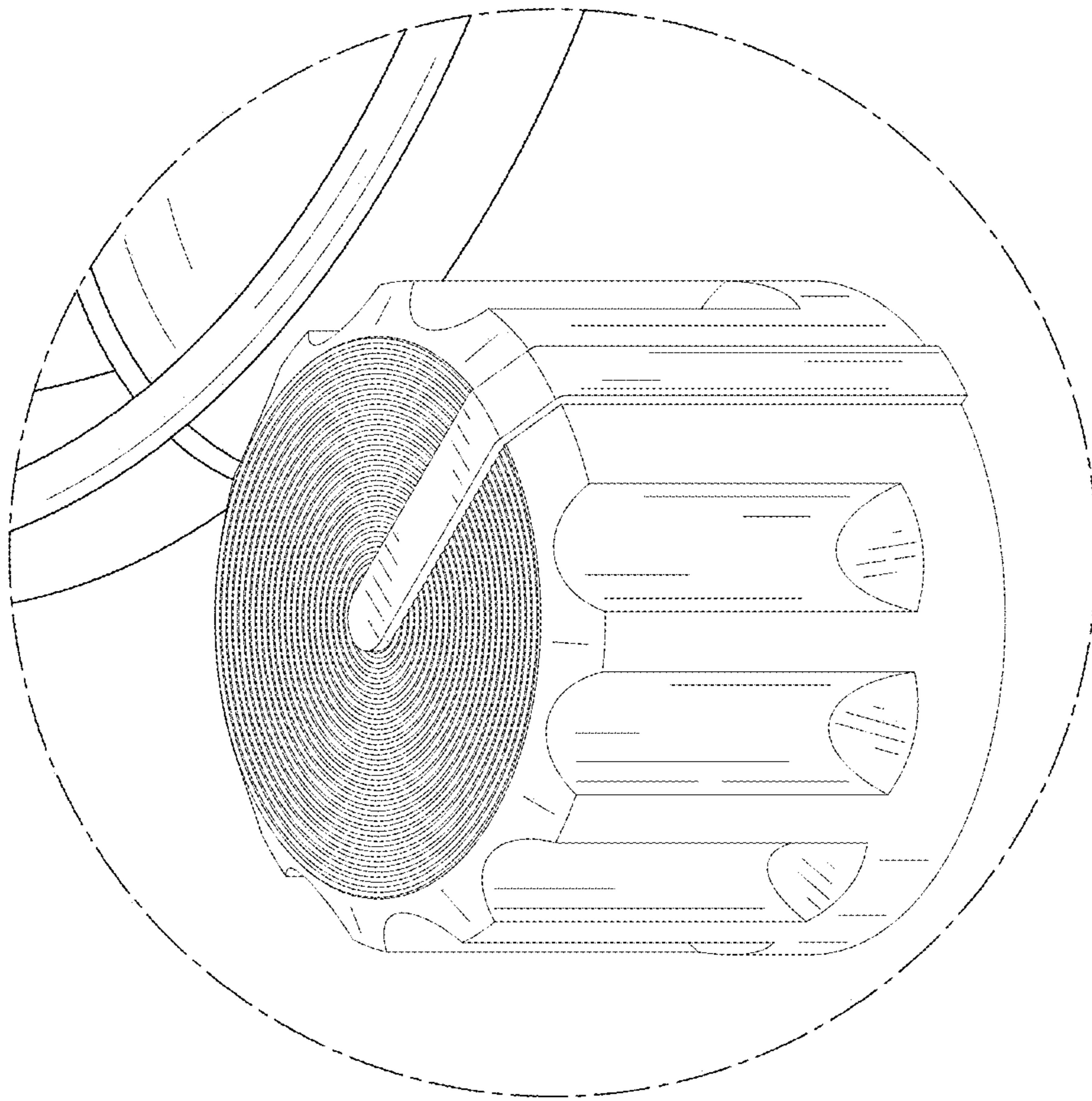


FIG. 9

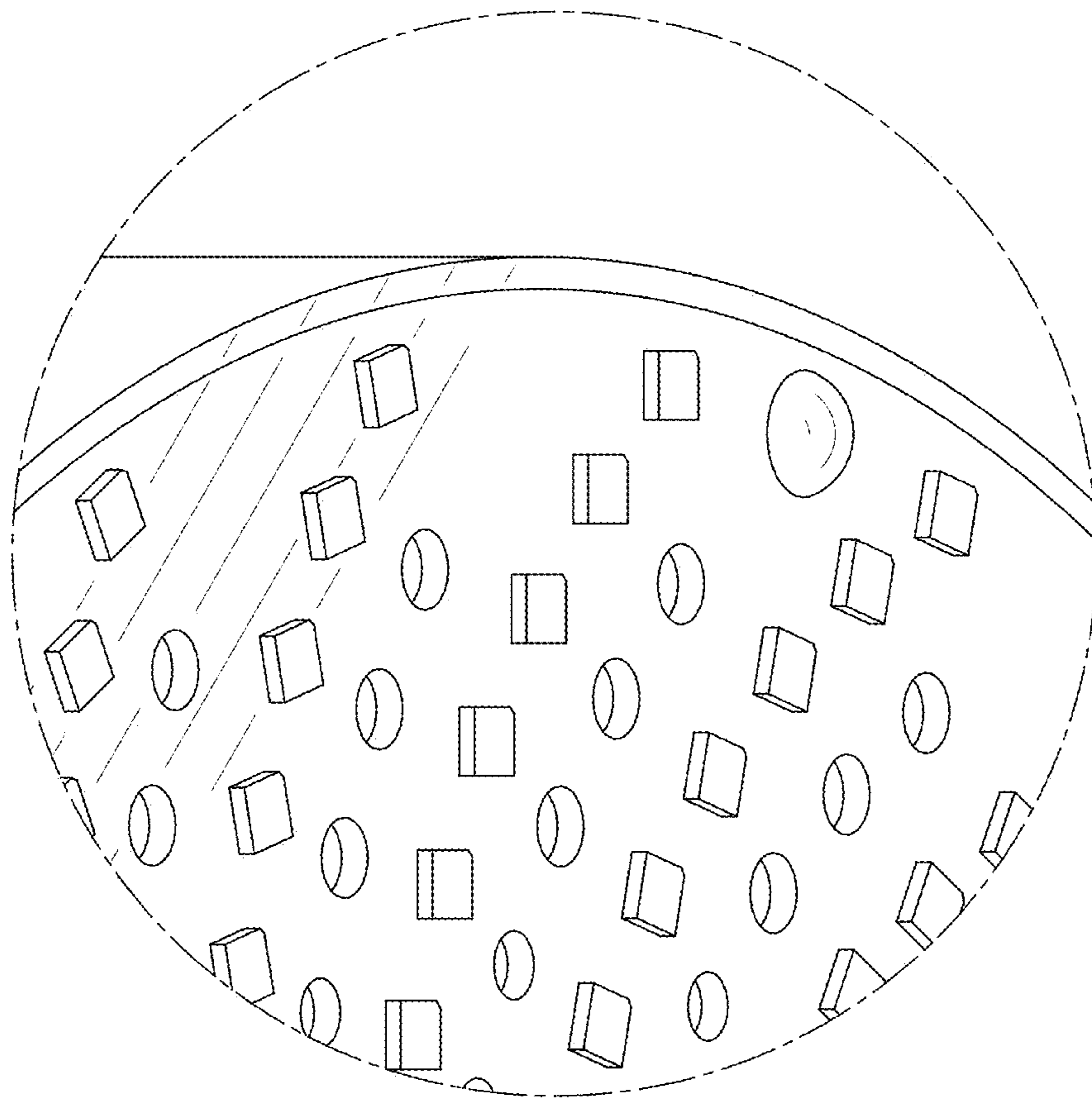


FIG. 10