

US00D957720S

(12) **United States Design Patent** (10) **Patent No.:** **US D957,720 S**
Zhu et al. (45) **Date of Patent:** **** Jul. 12, 2022**

(54) **GROW LIGHT**
(71) Applicant: **Shenzhen Abest Lighting Co., Ltd.**,
Shenzhen (CN)
(72) Inventors: **Jiqiang Zhu**, Shenzhen (CN); **Kaishao Qin**, Shenzhen (CN)
(**) Term: **15 Years**
(21) Appl. No.: **29/763,549**
(22) Filed: **Dec. 23, 2020**
(51) **LOC (13) Cl.** **26-05**
(52) **U.S. Cl.**
USPC **D26/118**
(58) **Field of Classification Search**
USPC D26/24, 72, 76-78, 80, 88, 118, 120, 90
CPC F21S 8/04; F21S 8/06; F21S 8/026; F21S
8/043; F21S 4/00; F21S 4/28; F21V
21/02; F21V 21/04; F21V 29/70; F21V
29/74; F21V 29/673; F21V 29/745; F21V
15/01; F21Y 2105/00; F21Y 2105/10;
F21Y 2105/16
See application file for complete search history.

D893,078 S 8/2020 Liu
D894,469 S * 8/2020 Li D26/118
D894,470 S * 8/2020 Reynolds D26/118
D894,471 S * 8/2020 Stanley D26/118
D895,891 S * 9/2020 Reynolds D26/118
D897,028 S * 9/2020 Reynolds D26/118
D897,029 S * 9/2020 Stanley D26/118
D910,222 S * 2/2021 Zhang D26/72
D919,157 S * 5/2021 Wu D26/76
D922,667 S * 6/2021 Hu D26/118
D925,105 S * 7/2021 Johnson D26/118
D927,760 S * 8/2021 Cao D26/76
D927,770 S * 8/2021 Hu D26/118
D932,090 S * 9/2021 Amin D26/118
D933,876 S * 10/2021 Lin D26/118
D945,678 S * 3/2022 Ambrozus D26/118
2018/0135848 A1 * 5/2018 Scribante F21K 9/275
2019/0285253 A1 * 9/2019 Amin F21V 19/003

* cited by examiner

Primary Examiner — Wan Laymon
Assistant Examiner — Clint A Samuel
(74) *Attorney, Agent, or Firm* — Rumit R. Kanakia

(57) **CLAIM**

We claim the ornamental design for a grow light, as shown and described.

(56) **References Cited**

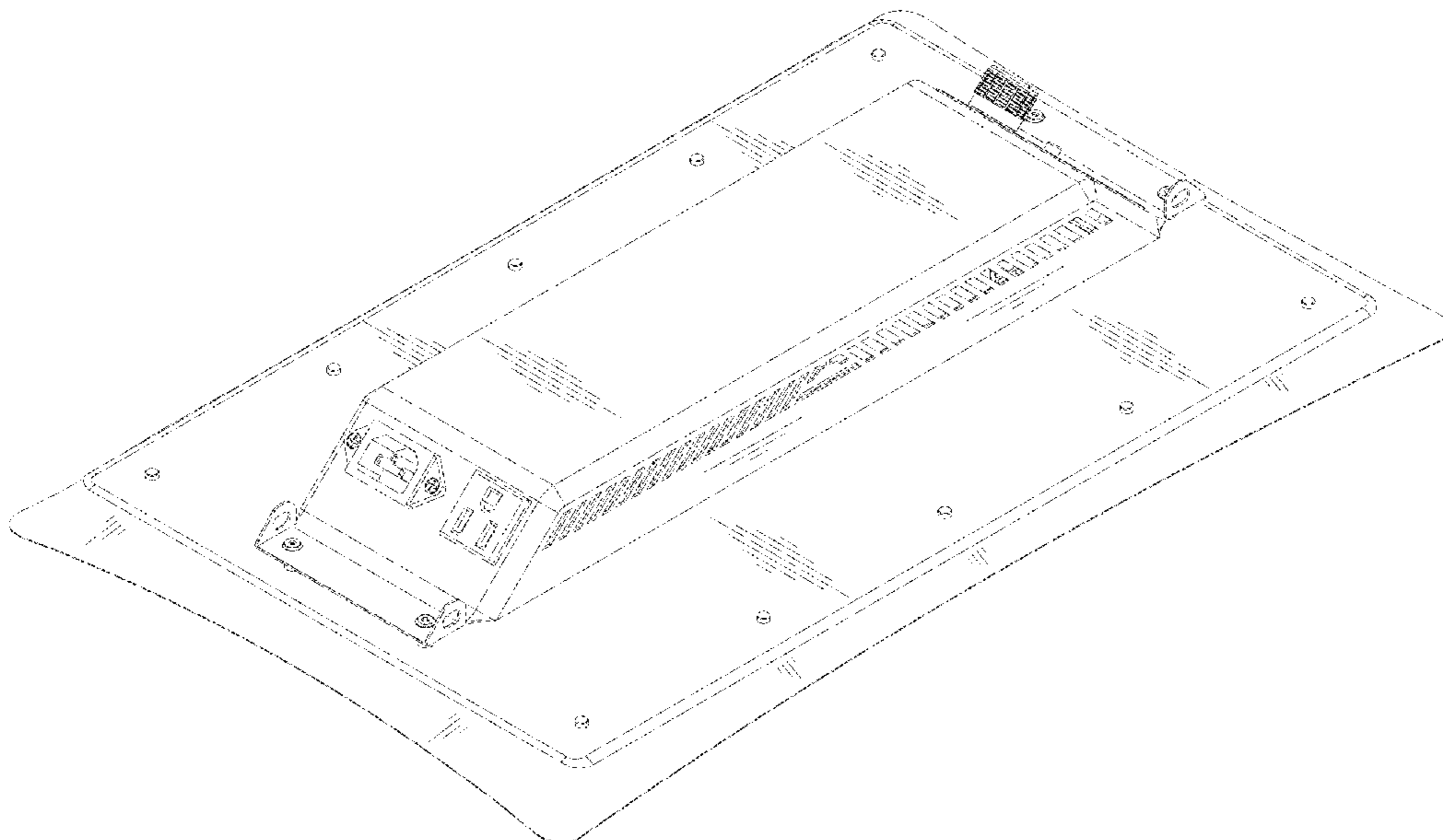
U.S. PATENT DOCUMENTS

D652,160 S 1/2012 Brown
D716,489 S * 10/2014 O’Leary D26/90
D762,322 S * 7/2016 Scribante D26/90
D770,670 S * 11/2016 Reynolds D26/118
D773,107 S * 11/2016 Stanley D26/118
D783,887 S * 4/2017 Stanley D26/118
D792,635 S 7/2017 Reynolds
D838,032 S 1/2019 Frender et al.
D851,814 S * 6/2019 Stanley D26/118
D879,364 S * 3/2020 Stanley D26/118
D890,408 S * 7/2020 Deng D26/118
D893,076 S 8/2020 Liu
D893,077 S 8/2020 Liu

DESCRIPTION

FIG. 1 is a Perspective view of a grow light showing my new design in open position;
FIG. 2 is a Front view thereof;
FIG. 3 is a Back view thereof;
FIG. 4 is a Right-side view thereof;
FIG. 5 is a Left-side view thereof;
FIG. 6 is a Top view thereof; and,
FIG. 7 is a Bottom view thereof.
The broken lines in the drawings depict portions of the grow light that form no part of the claimed design.

1 Claim, 5 Drawing Sheets



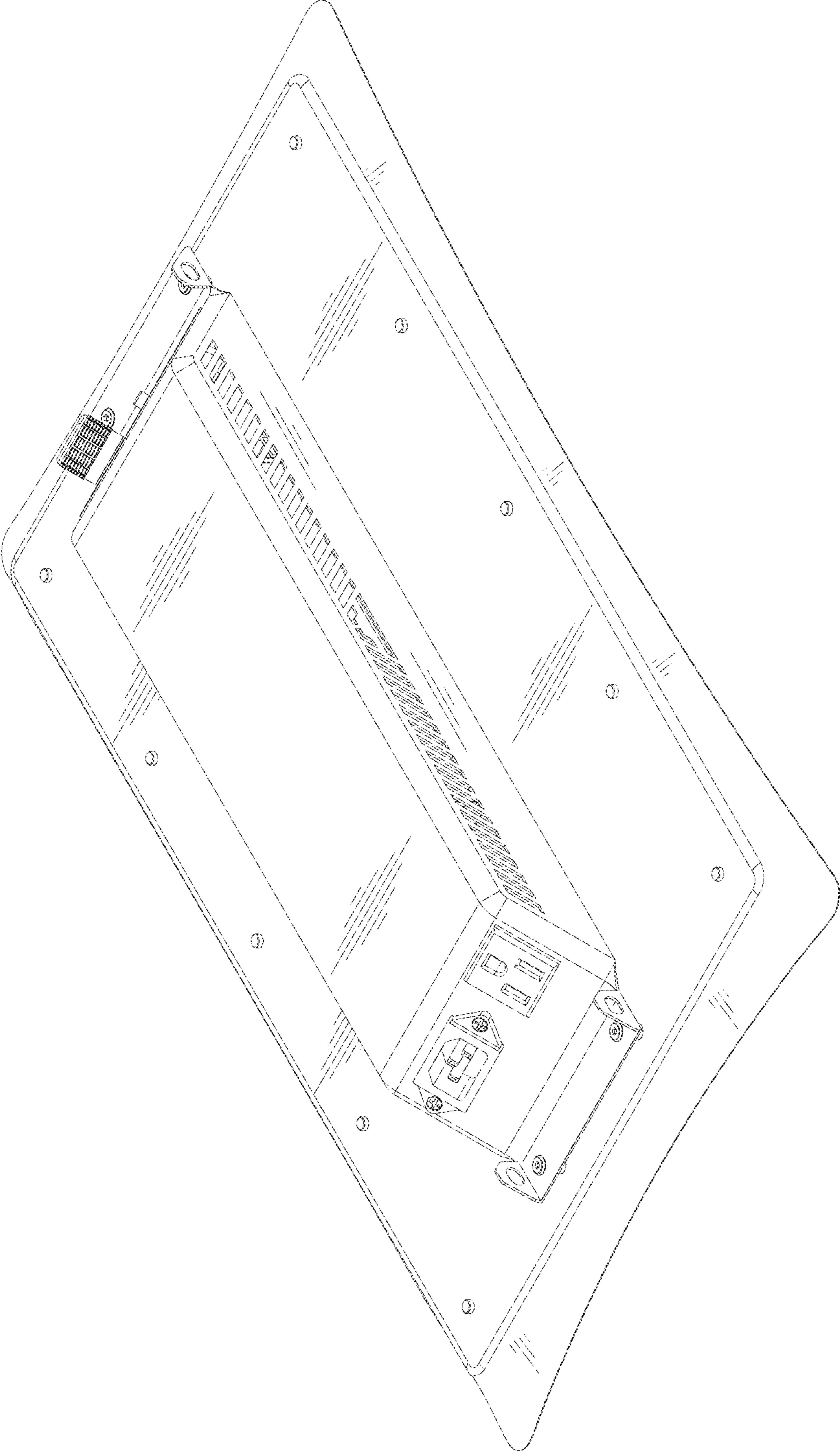


FIG. 1

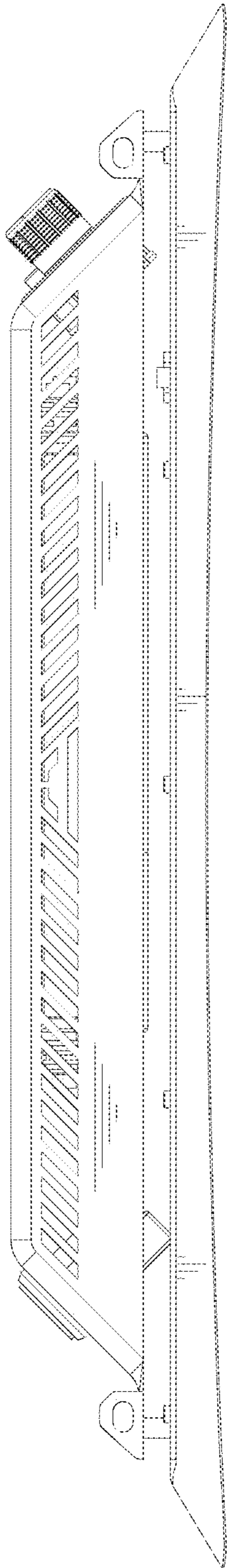


FIG. 2

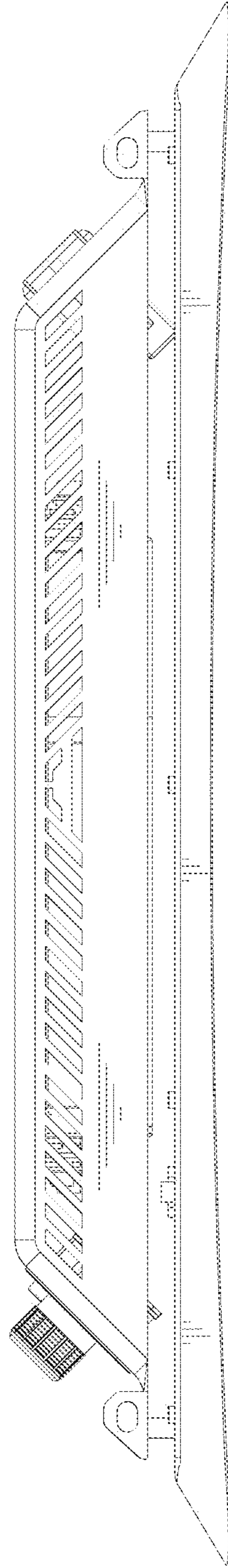


FIG. 3

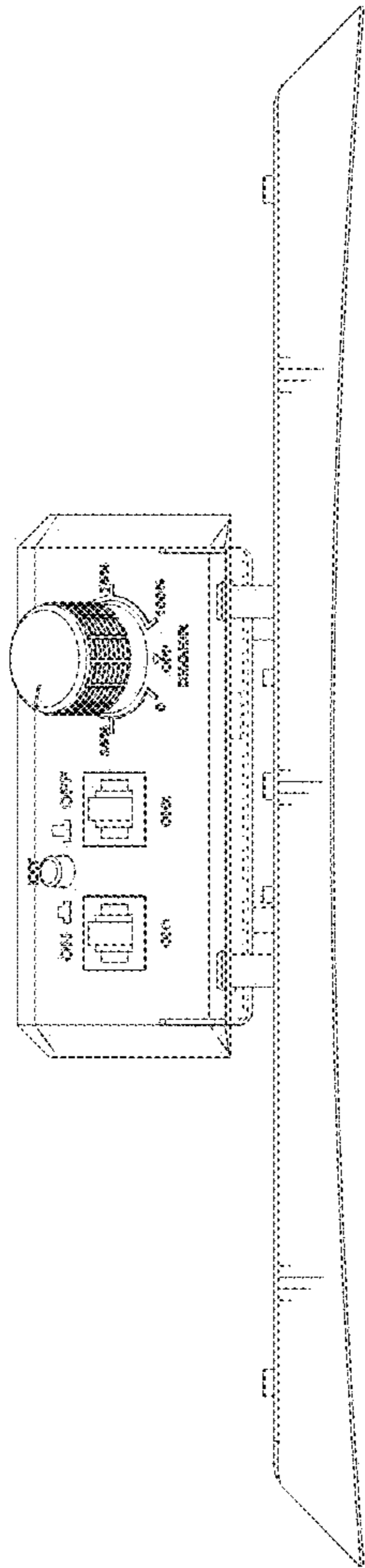


FIG. 4

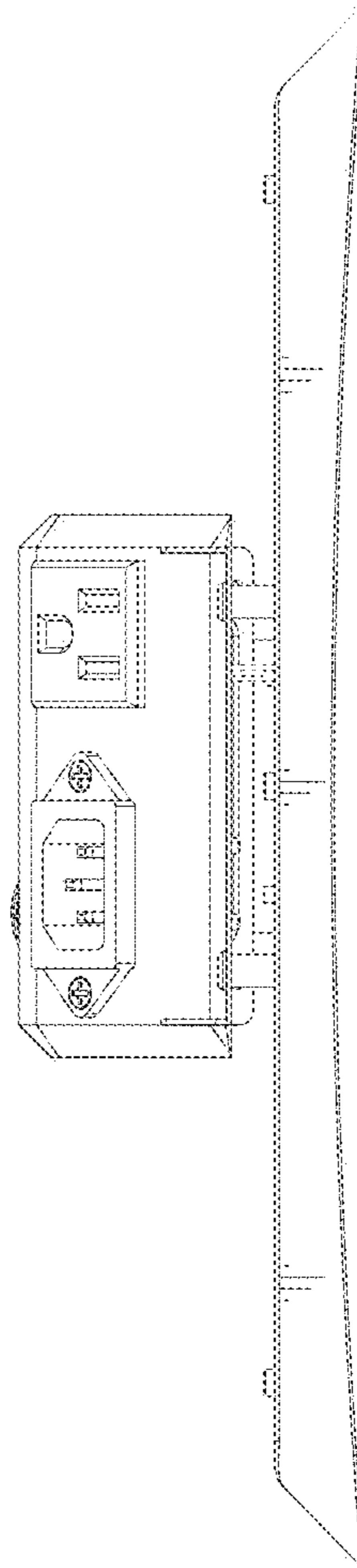


FIG. 5

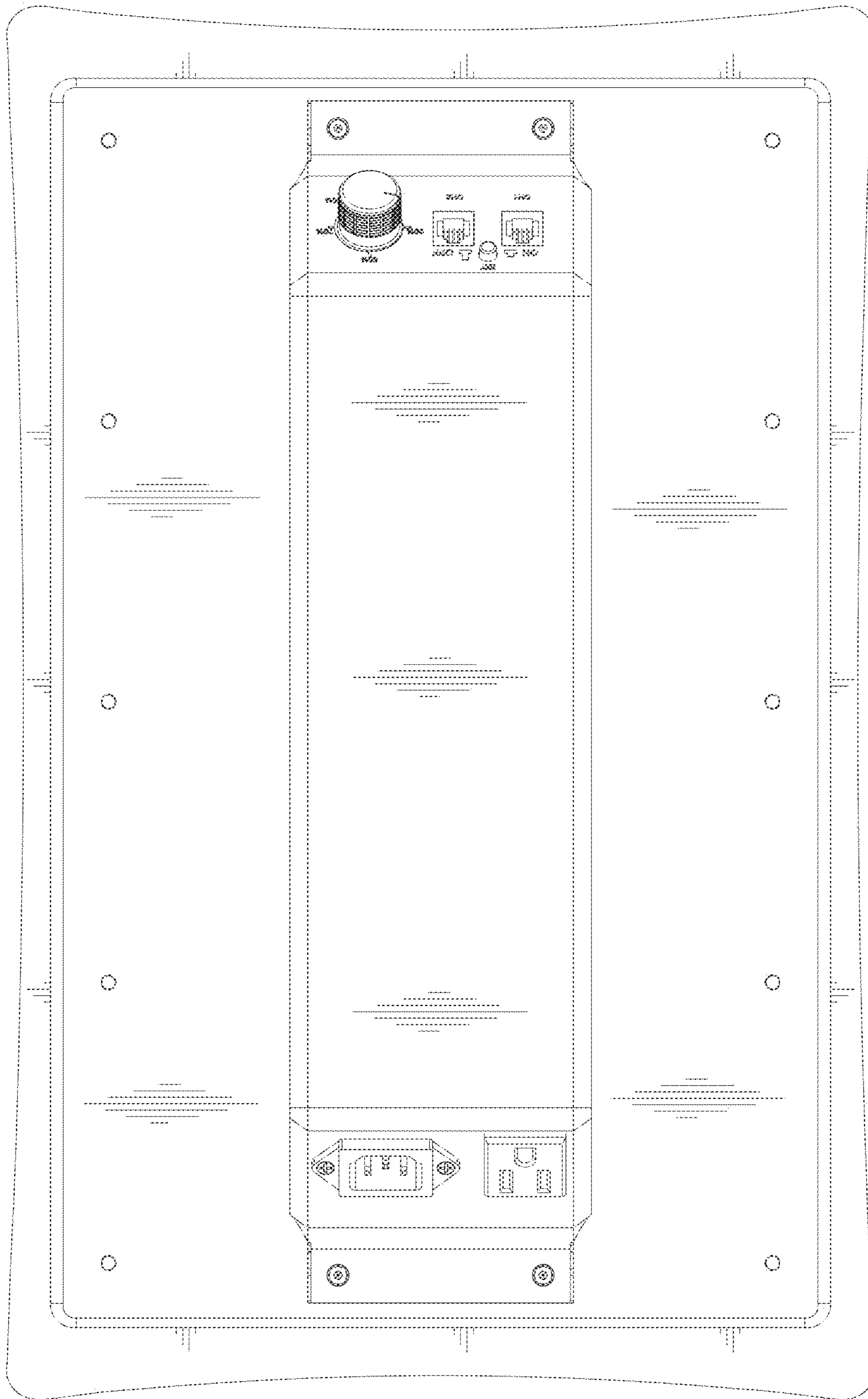


FIG. 6

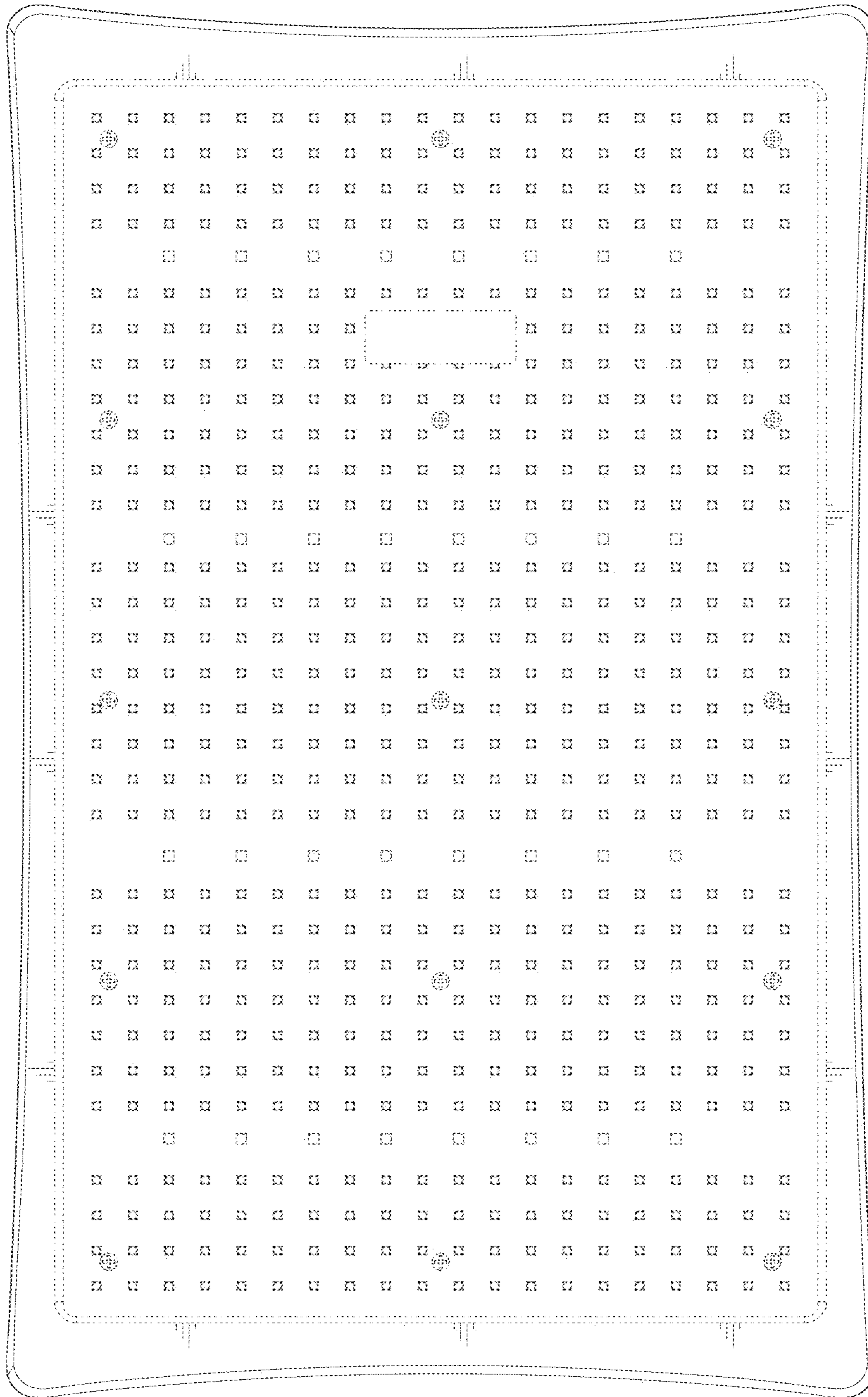


FIG. 7