



US00D957715S

(12) **United States Design Patent** (10) **Patent No.:** **US D957,715 S**
Knauff (45) **Date of Patent:** **** Jul. 12, 2022**

(54) **CEILING LAMP**

OTHER PUBLICATIONS

- (71) Applicant: **ANSORG GMBH**, Mulheim an der Ruhr (DE)
- (72) Inventor: **Volker Knauff**, Essen (DE)
- (73) Assignee: **Ansorg GmbH**, Mulheim an der Ruhr (DE)
- (**) Term: **15 Years**
- (21) Appl. No.: **29/744,991**
- (22) Filed: **Aug. 3, 2020**
- (30) **Foreign Application Priority Data**

Amter, Wrought Iron Chandelier in Black, First Available: Jan. 11, 2019. Visited on Nov. 17, 2021. [https://www.amazon.co.uk/Chandelier-American-Personality-Industrial-Restaurant/dp/B07MG32PS1] (Year: 2019).*

Rejuvenation, Crawford 14" Flush Mount. First Available unknown. visited on Nov. 15, 2021. [https://www.rejuvenation.com/catalog/collections/crawford-14-flush-mount/products/607dc378ddf56a630e1071e0] (Year: 2021).*

Kim Byung Woon, Ceiling light. First Available May 17, 2019. Searched on Nov. 17, 2021. Questel Serial number of registration 301070512.0000 (Year: 2019).*

Co-ramp Co Ltd, Ceiling light. First Available Jan. 1, 2019. Searched on Nov. 17, 2021. Questel Serial number of registration 301064485.0000 (Year: 2019).*

Beats, Ceiling Light. First Available Oct. 20, 2020. Searched on Nov. 17, 2021. Questel Serial number of registration 301125958.0000 (Year: 2020).*

Feb. 5, 2020 (WO) WIPO91884

- (51) **LOC (13) Cl.** **26-05**
- (52) **U.S. Cl.**
USPC **D26/88**
- (58) **Field of Classification Search**
USPC ... D26/1, 24, 72, 74, 80, 83, 85, 86, 87, 88,
D26/89, 91, 118, 120, 124, 128, 131, 135
CPC F21S 8/03; F21S 8/033; F21S 8/036; F21S
8/04; F21S 8/043; F21S 8/046; F21S
8/06; F21S 8/061; F21S 8/063; F21S
8/065
See application file for complete search history.

* cited by examiner

Primary Examiner — Samantha Q Lawrence
Assistant Examiner — Melissa Adriane Santos
 (74) *Attorney, Agent, or Firm* — Dentons US LLP

(56) **References Cited**

U.S. PATENT DOCUMENTS

D59,087 S *	9/1921	Hibben	D26/88
D86,420 S *	3/1932	Sutter	D26/88
D242,943 S *	1/1977	Lazerson	D26/88
D372,322 S *	7/1996	Porter	D26/88
D497,226 S *	10/2004	Nauert	119/57.9
D663,470 S *	7/2012	Ruiz	D26/88
9,958,141 B2 *	5/2018	Ohai	F21V 17/06
D868,333 S *	11/2019	Li	D26/72
D905,894 S *	12/2020	Chen	D26/88
10,976,037 B2 *	4/2021	Lee	F21V 21/36

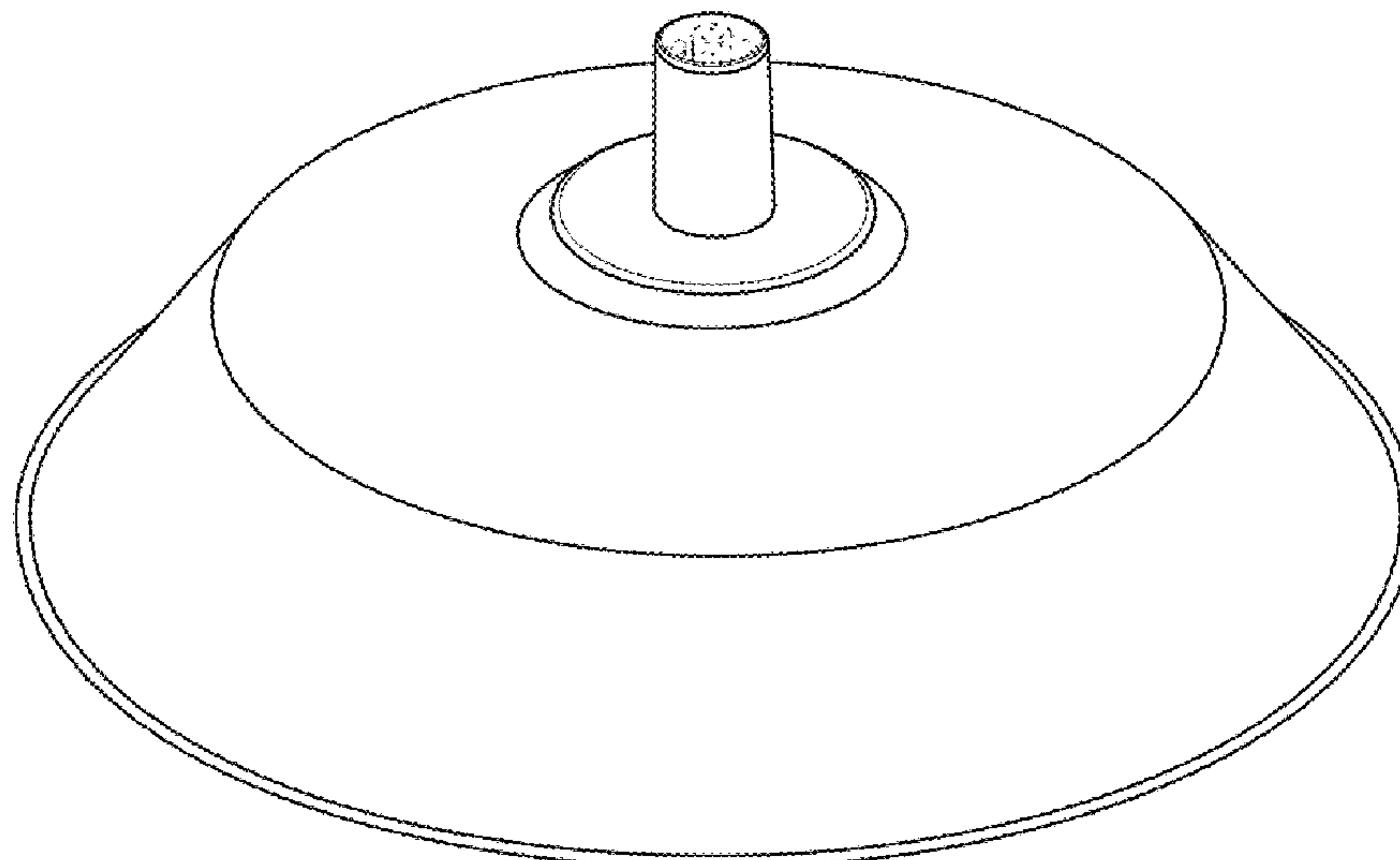
(57) **CLAIM**

The ornamental design of a ceiling lamp, as shown and described.

DESCRIPTION

FIG. 1 is perspective view of a ceiling lamp;
 FIG. 2 is a perspective view thereof;
 FIG. 3 is a front view thereof;
 FIG. 4 is a top view thereof; and,
 FIG. 5 is a bottom view thereof.
 Broken lines shown in drawings illustrate portions of a ceiling lamp that form no part of a claimed design.

1 Claim, 5 Drawing Sheets



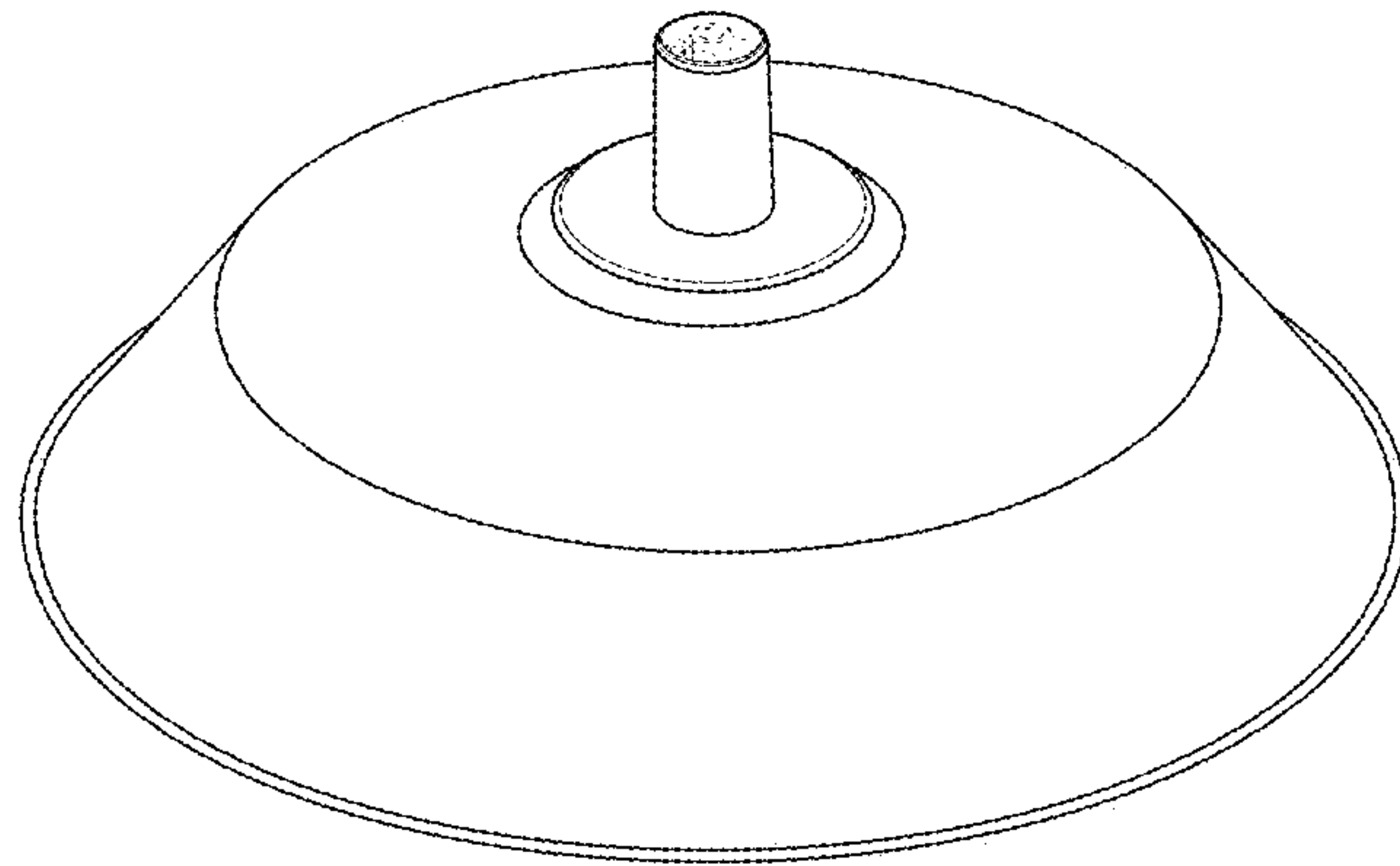


FIG. 1

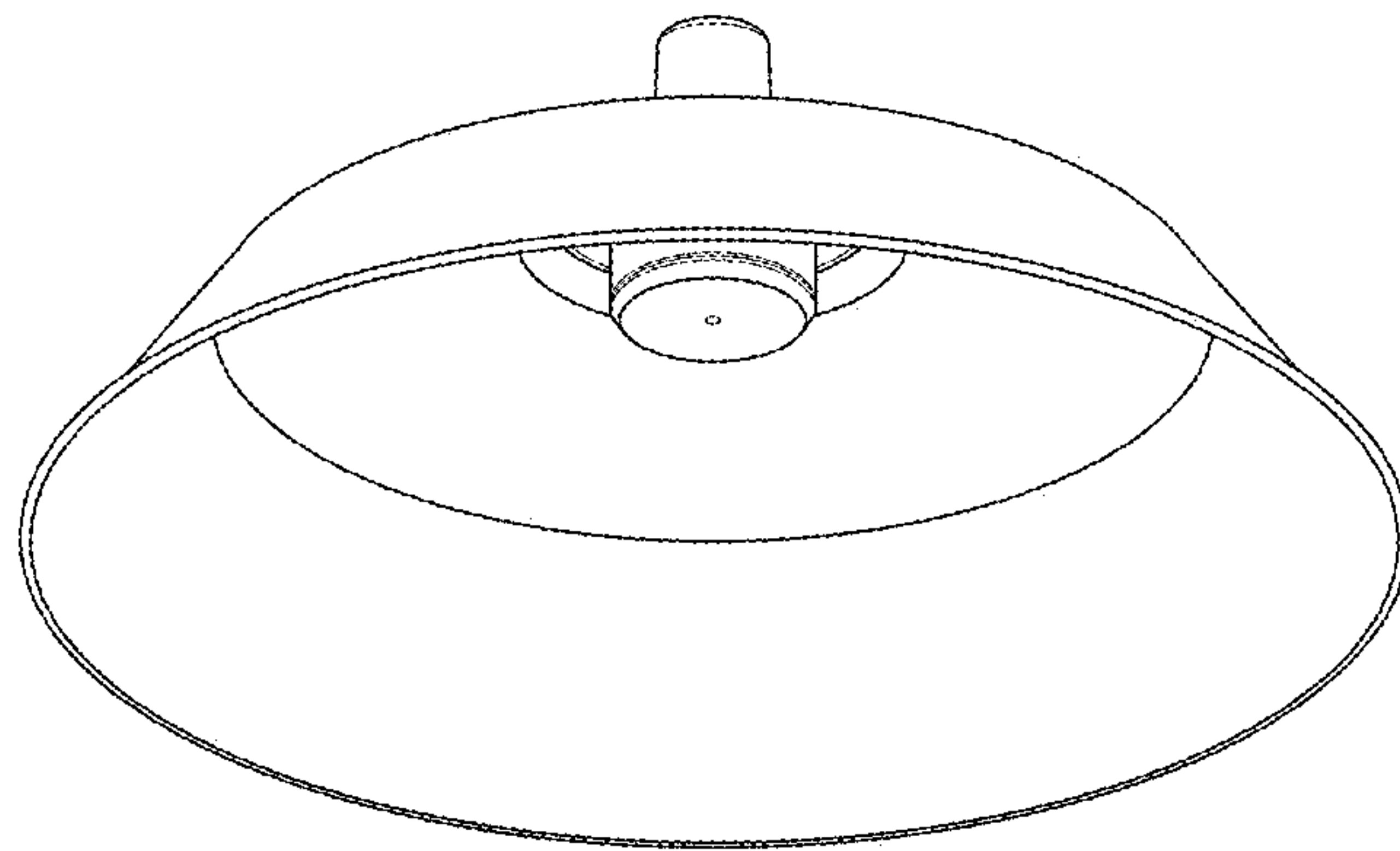


FIG. 2

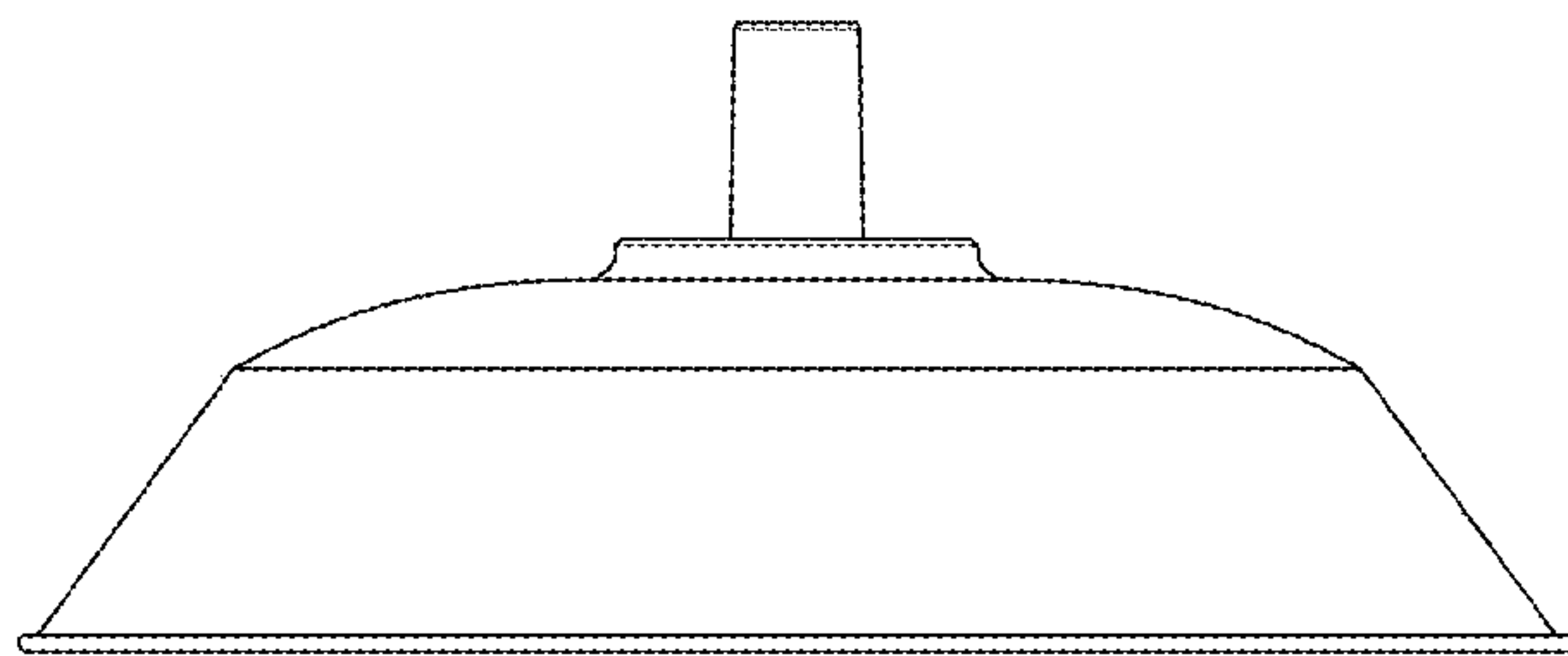


FIG. 3

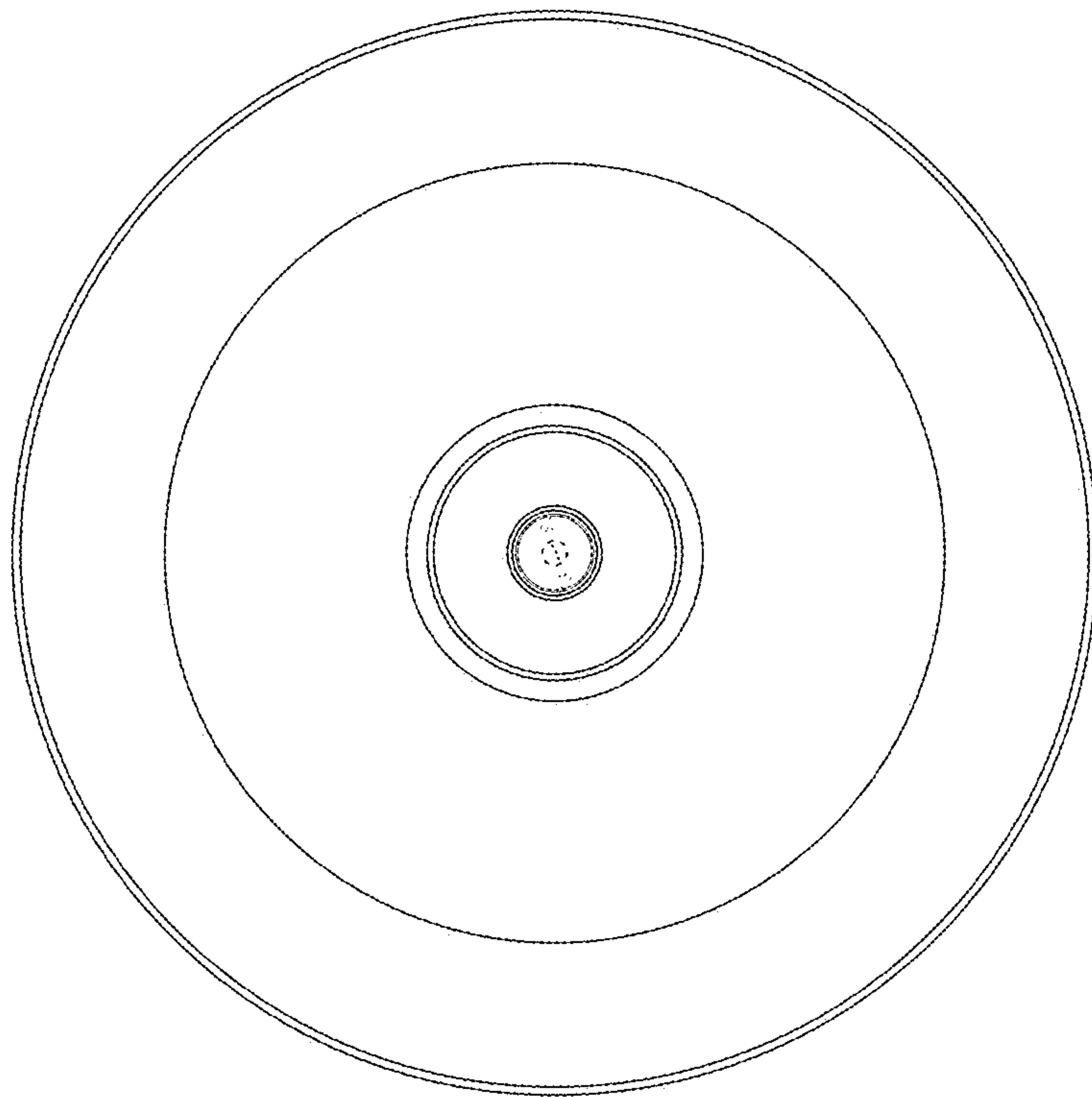


FIG. 4

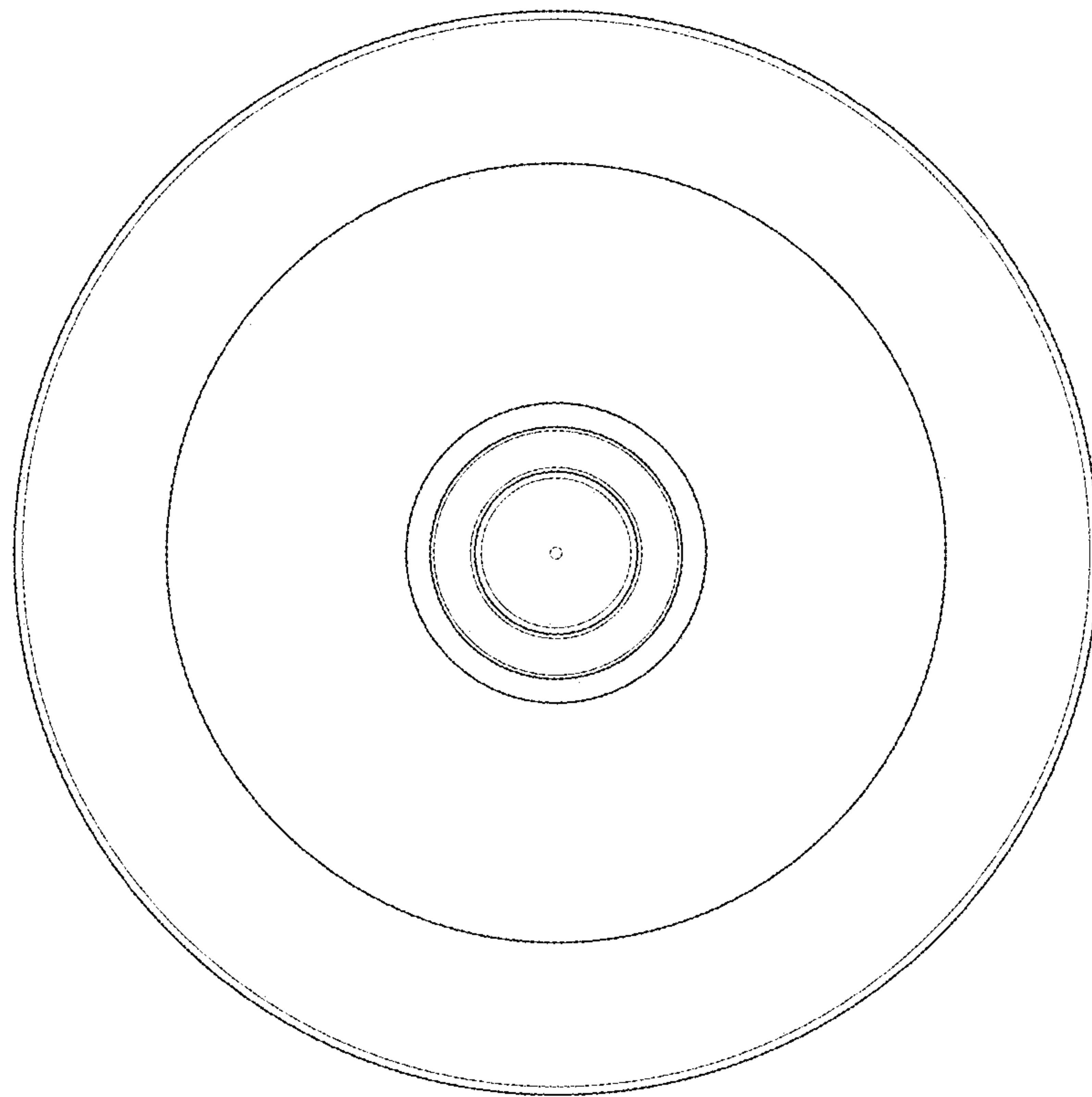


FIG. 5