



US00D957714S

(12) **United States Design Patent**
Hodgson

(10) **Patent No.:** **US D957,714 S**
(45) **Date of Patent:** **** Jul. 12, 2022**

- (54) **RING LAMP**
- (71) Applicant: **The Daylight Company (Holdings) Limited**, London (GB)
- (72) Inventor: **Fraser Hodgson**, London (GB)
- (73) Assignee: **The Daylight Company (Holdings) Limited**
- (**) Term: **15 Years**
- (21) Appl. No.: **29/728,503**
- (22) Filed: **Mar. 19, 2020**
- (51) **LOC (13) Cl.** **26-04**
- (52) **U.S. Cl.**
USPC **D26/79; D26/106**
- (58) **Field of Classification Search**
USPC D26/1, 225, 94, 51, 68, 93, 60, 37, 113, D26/26, 79, 106-108
CPC F21S 6/00; F21S 6/002; F21S 6/004; F21S 4/00; F21S 4/15; F21S 2/00; F21S 8/033; F21S 8/036; F21S 8/085; F21S 8/081; F21S 8/083; F21S 8/088; F21L 2003/00; F21L 4/00; F21L 4/005; F21L 4/02; F21L 4/025; F21L 2003/005; F21V 21/08; F21V 33/00; F21V 14/02; F21V 14/025
See application file for complete search history.

D893,093 S *	8/2020	Jurkiewicz	D26/142
D901,749 S *	11/2020	Chen	D16/237
D907,836 S *	1/2021	Zhou	D16/237
D909,646 S *	2/2021	Saboo	D26/60
D916,355 S *	4/2021	Sanchez Gonzalez	D26/93
D924,454 S *	7/2021	Xiong	D26/51
D926,344 S *	7/2021	Arola	D26/51
11,073,274 B2 *	7/2021	Mondora	F21V 23/0414
D927,583 S *	8/2021	Feng	D16/237
D929,024 S *	8/2021	Xiao	D16/244
D929,025 S *	8/2021	Xiao	D16/244
D929,026 S *	8/2021	Feng	D16/244
D929,643 S *	8/2021	Feng	D16/244
11,091,305 B2 *	8/2021	Martinson	B65D 63/12
D930,224 S *	9/2021	Lin	D16/244

* cited by examiner

Primary Examiner — Richard Kearney
Assistant Examiner — Benjamin M Weeks
(74) *Attorney, Agent, or Firm* — Laubscher & Laubscher, P.C.

(57) **CLAIM**

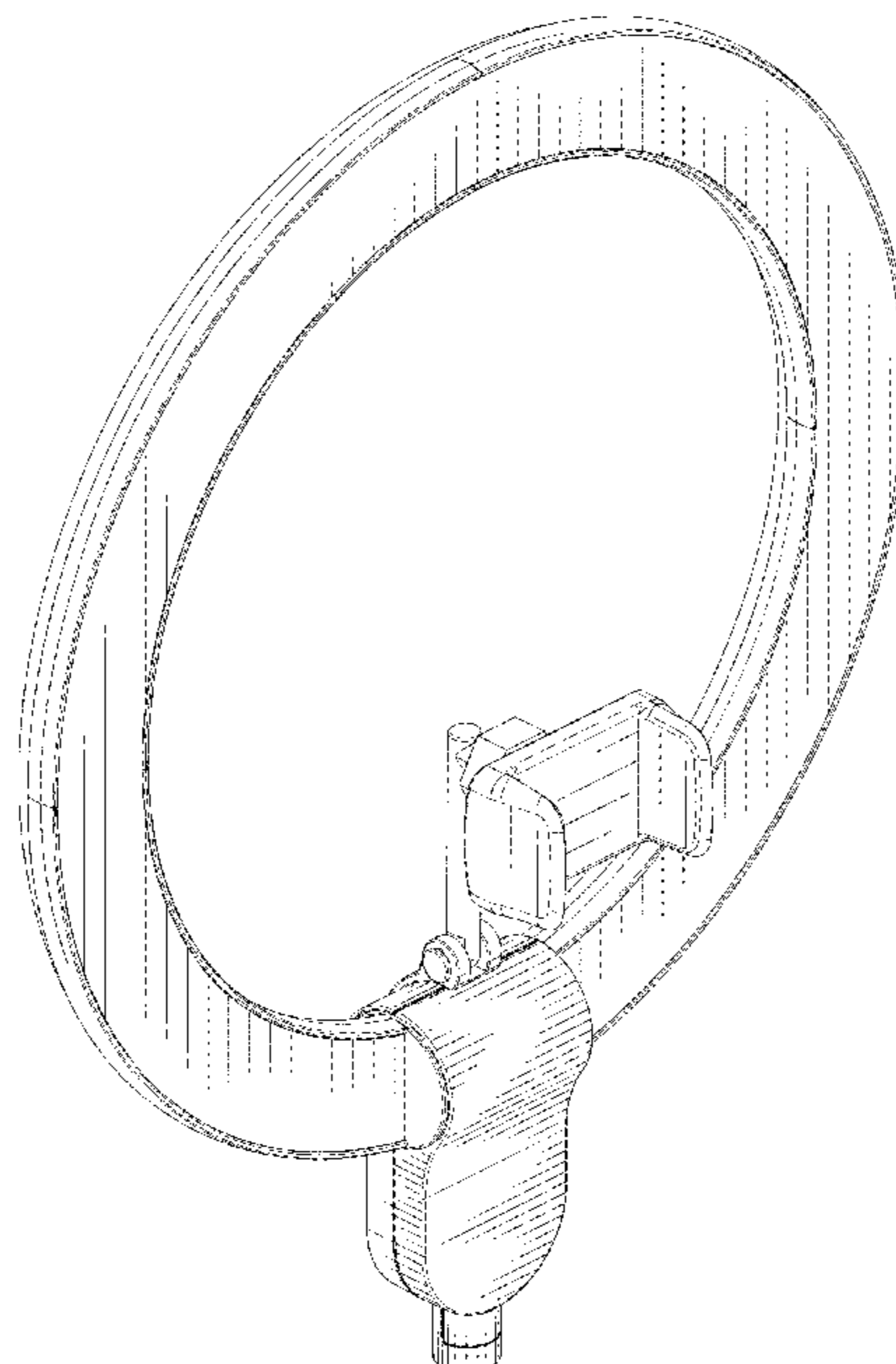
The ornamental design for a ring lamp, as shown and described.

DESCRIPTION

FIG. 1 is a top front perspective view of a ring lamp according to my invention;
FIG. 2 is a bottom rear perspective view thereof;
FIG. 3 is a front elevation view thereof;
FIG. 4 is a rear elevation view thereof;
FIG. 5 is a left side elevation view thereof;
FIG. 6 is a right side elevation view thereof;
FIG. 7 is a top plan view thereof; and,
FIG. 8 is a bottom plan view thereof.
The broken lines in the drawing represent portions of the article which form no part of the claimed design.

1 Claim, 7 Drawing Sheets

- (56) **References Cited**
U.S. PATENT DOCUMENTS
D280,345 S * 8/1985 Paget D26/26
D636,513 S * 4/2011 Furtsch D26/51
D835,316 S * 12/2018 Edgar D26/51
D855,242 S * 7/2019 Chen D26/106
D882,843 S * 4/2020 Kaiser D26/60
D886,360 S * 6/2020 Xu D26/106



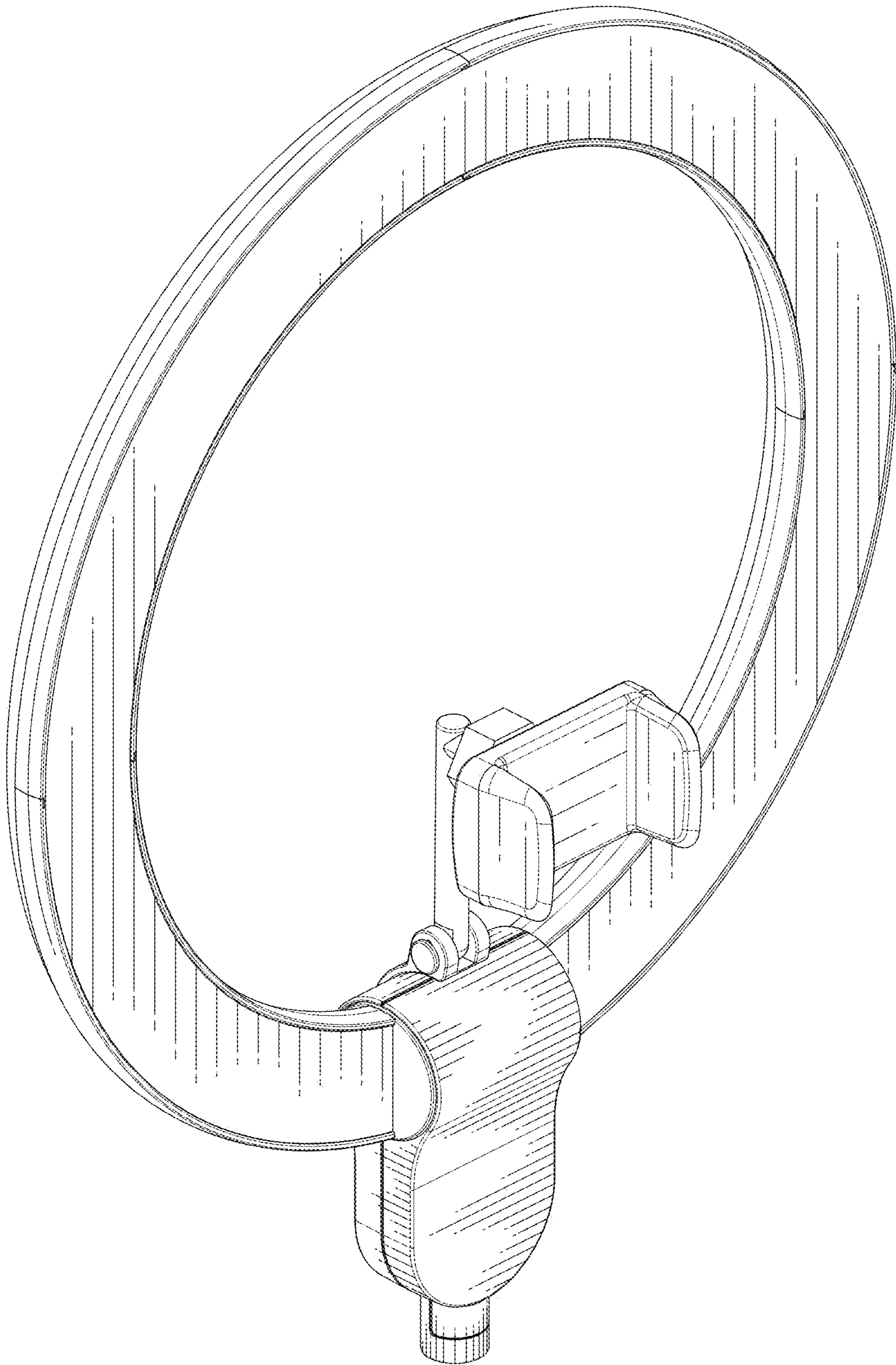


FIG. 1

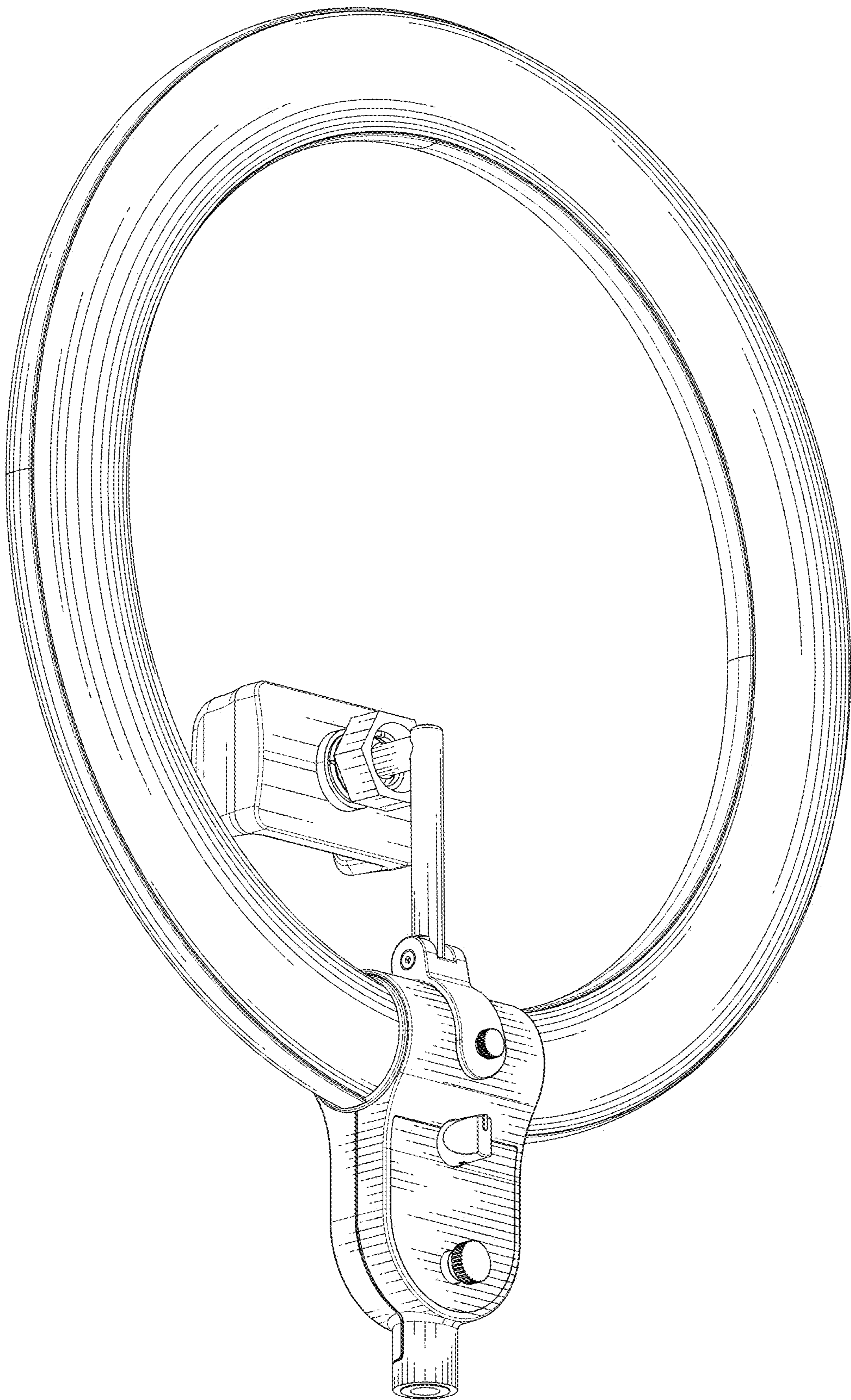


FIG. 2

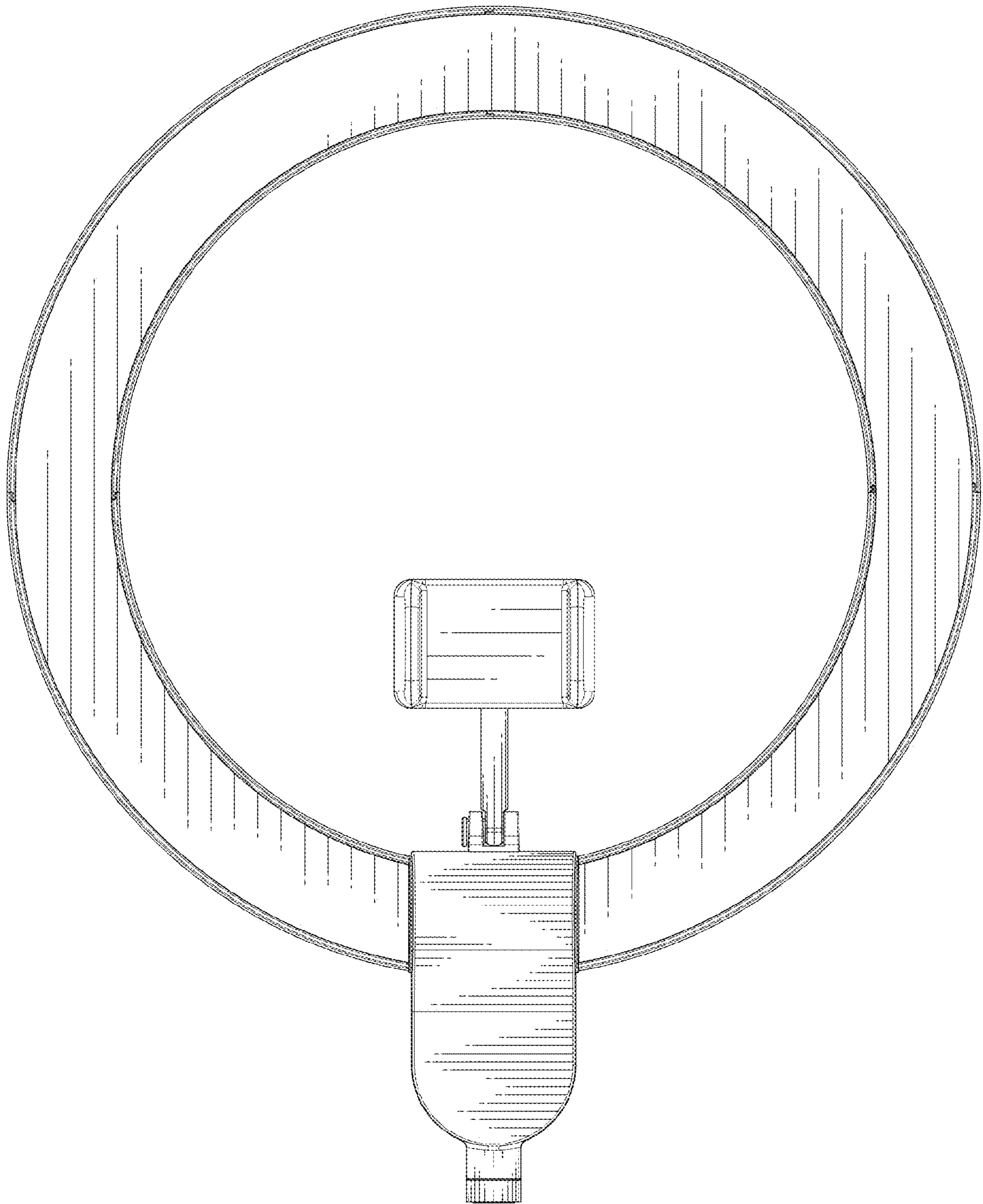


FIG. 3

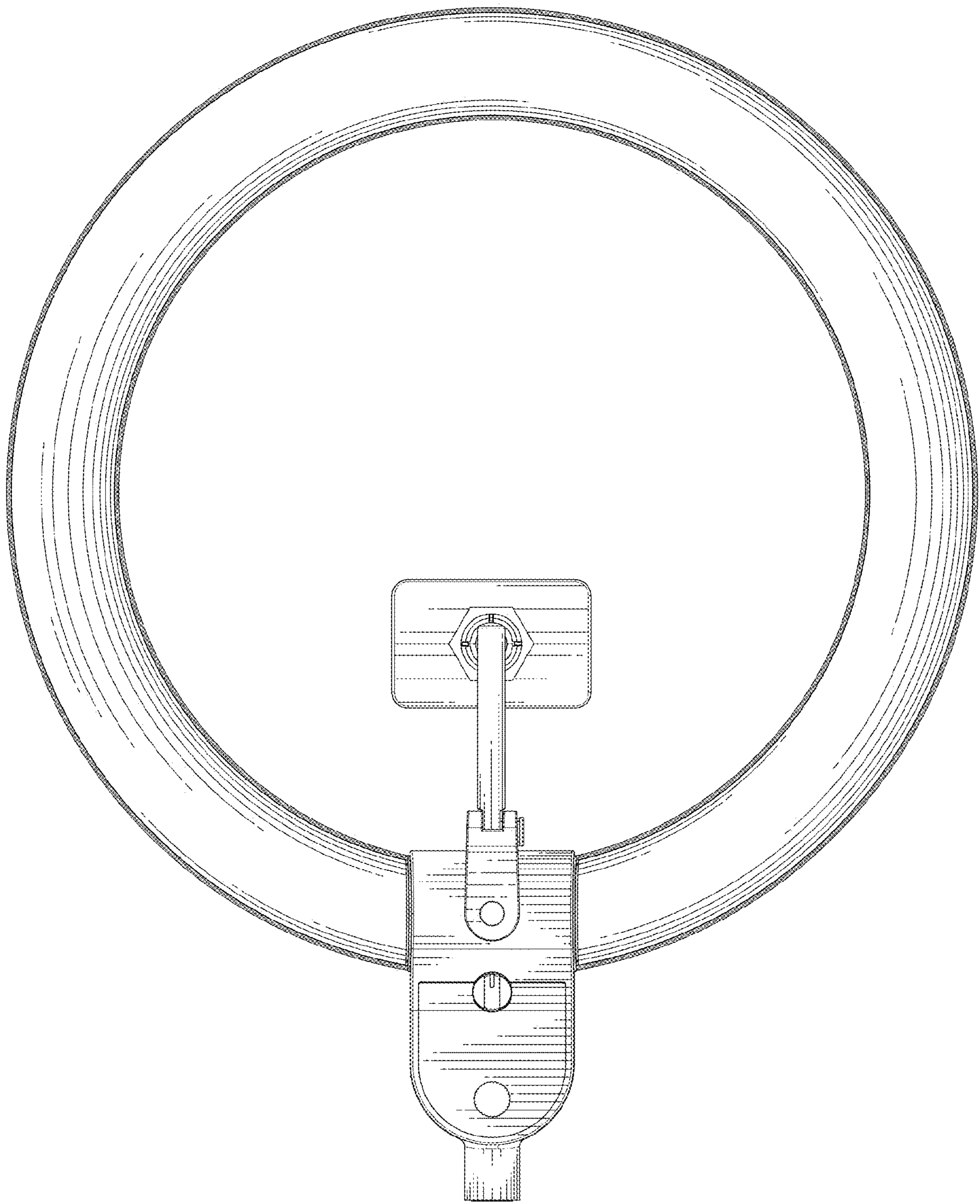


FIG. 4

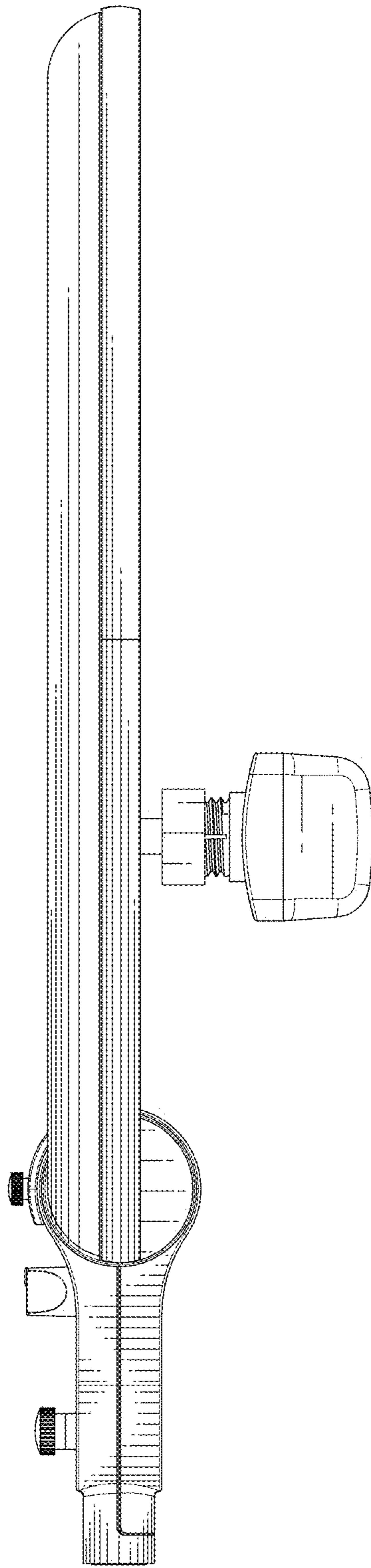


FIG. 5

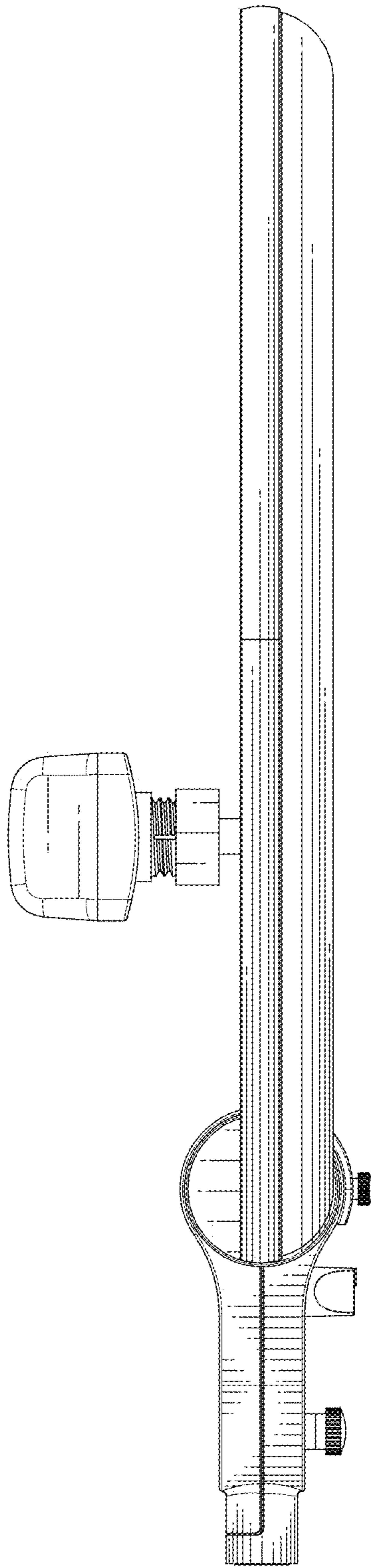


FIG. 6

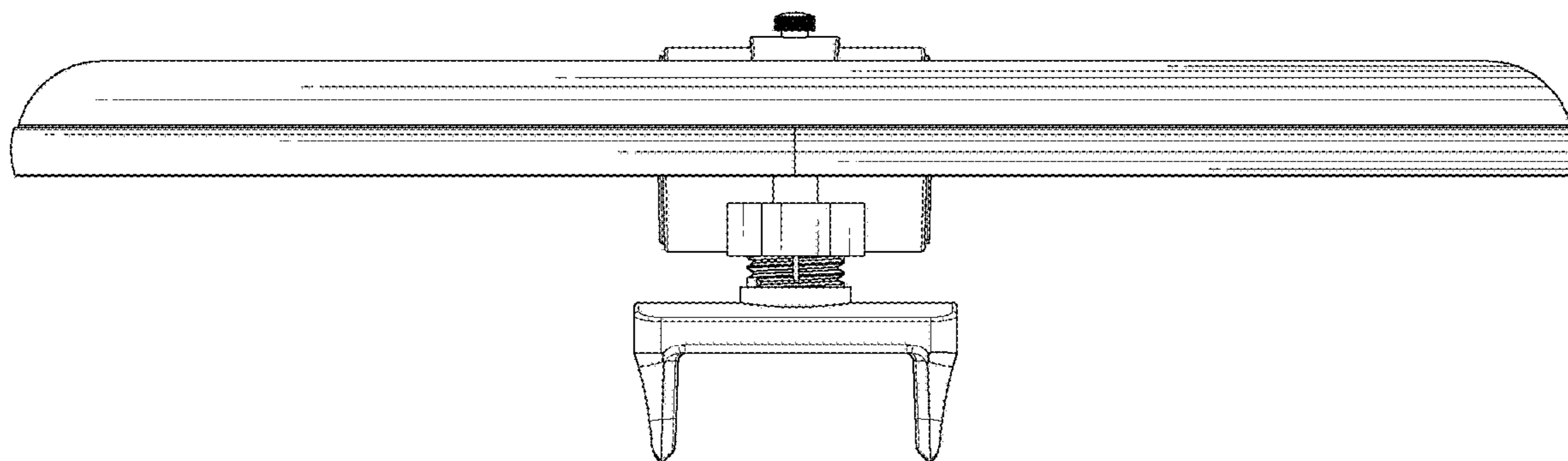


FIG. 7

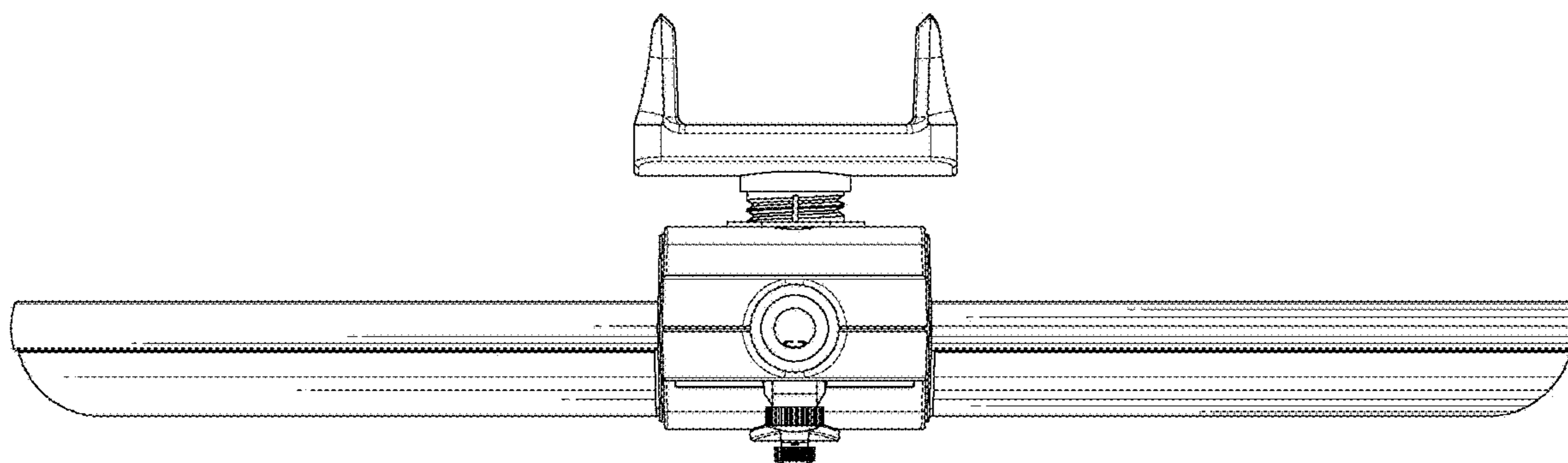


FIG. 8

UNITED STATES PATENT AND TRADEMARK OFFICE
CERTIFICATE OF CORRECTION

PATENT NO. : D957,714 S
APPLICATION NO. : 29/728503
DATED : July 12, 2022
INVENTOR(S) : Fraser Hodgson

Page 1 of 1

It is certified that error appears in the above-identified patent and that said Letters Patent is hereby corrected as shown below:

On the Title Page

Add FOREIGN PRIORITY INFORMATION:

Application No. EM006934824.0001 filed September 26, 2019

Signed and Sealed this
Sixth Day of August, 2024



Katherine Kelly Vidal
Director of the United States Patent and Trademark Office