



US00D957712S

(12) **United States Design Patent** (10) **Patent No.:** **US D957,712 S**
Kim et al. (45) **Date of Patent:** **** Jul. 12, 2022**

(54) **PORTABLE LIGHT**

(71) Applicant: **LUPLE Inc.**, Seoul (KR)

(72) Inventors: **Yong Duck Kim**, Yongin-si (KR);
Hyun Jun Park, Yongin-si (KR); **Nam Su Lee**, Seoul (KR); **Ji Yeon Jo**, Suwon-si (KR)

(**) Term: **15 Years**

(21) Appl. No.: **35/511,371**

(22) Filed: **Nov. 25, 2020**

(80) **Hague Agreement Data**
 Int. Filing Date: **Nov. 25, 2020**
 Int. Reg. No.: **DM/212583**
 Int. Reg. Date: **Nov. 25, 2020**
 Int. Reg. Pub. Date: **Feb. 12, 2021**

3,808,081 A * 4/1974 Okuhara B44F 11/00
 362/280

D253,495 S * 11/1979 Bodine D26/36
 D407,518 S * 3/1999 Yeh D26/63
 D411,327 S * 6/1999 Wang D26/106
 D429,175 S * 8/2000 Ha D10/104.1
 6,276,813 B1 * 8/2001 Victor F21S 8/035
 362/322

D468,044 S * 12/2002 Lam D26/104
 D468,477 S * 1/2003 Landefeld D26/104
 D469,207 S * 1/2003 Chang D26/104
 D480,497 S * 10/2003 Lau Ting Yup D26/104
 D600,569 S * 9/2009 Sadler D10/22
 D605,337 S * 12/2009 Zhang D26/104
 D607,600 S * 1/2010 Keith D26/104
 D696,298 S * 12/2013 Britt, Jr. D14/496
 D731,579 S * 6/2015 Bart D16/242
 D752,802 S * 3/2016 Johnson D26/94
 D756,541 S * 5/2016 Lagier D26/1
 D829,961 S * 10/2018 Lin D26/104
 D836,821 S * 12/2018 Ossino D26/106
 D852,405 S * 6/2019 Zeng D26/104
 10,323,811 B2 * 6/2019 Chien F21S 10/063
 D854,226 S * 7/2019 Lin D26/104

(Continued)

(30) **Foreign Application Priority Data**
 May 28, 2020 (KR) 30-2020-0023773

(51) **LOC (13) Cl.** **26-05**

(52) **U.S. Cl.**
 USPC **D26/63**

(58) **Field of Classification Search**
 USPC D26/24, 26, 61, 63, 64, 65, 66, 93
 CPC ... B44F 11/00; F21S 6/00; F21S 6/002; F21S
 9/00; F21S 10/00; F21V 3/00; F21V
 7/0075; F21W 2131/30
 See application file for complete search history.

Primary Examiner — Steven J Czyz
 (74) Attorney, Agent, or Firm — Rabin & Berdo, P.C.

(57) **CLAIM**
 The ornamental design for a portable light, as shown and described.

DESCRIPTION

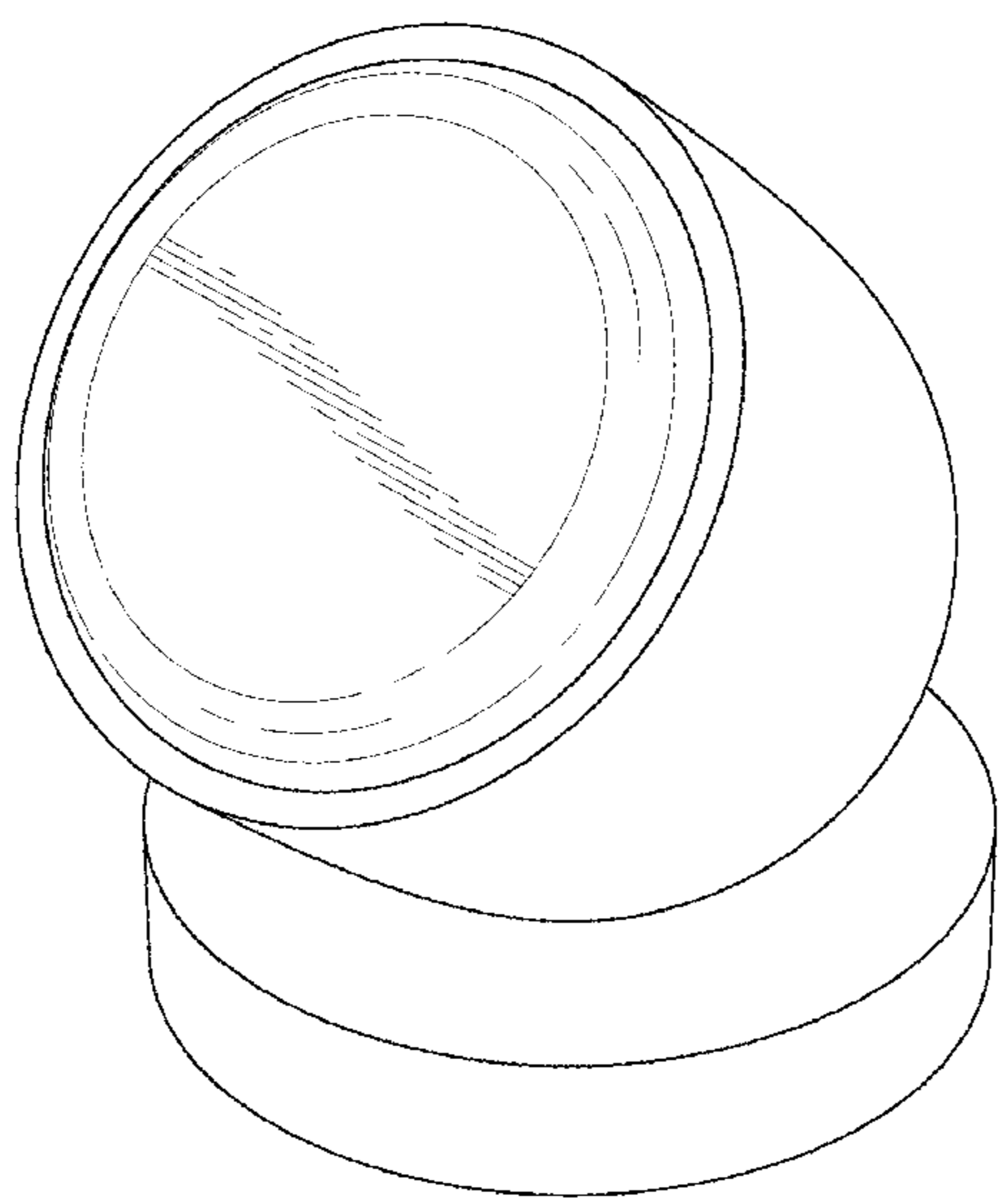
1. Portable light
 1.1: Perspective
 1.2: Front
 1.3: Back
 1.4: Top
 1.5: Bottom
 1.6: Left
 1.7: Right

The broken lines depict portions of the article that form no part of the claimed design.

(56) **References Cited**
 U.S. PATENT DOCUMENTS

D134,595 S * 12/1942 Van es et al. D26/63
 3,179,791 A * 4/1965 Mole F21S 10/02
 362/293
 D224,233 S * 7/1972 Fujita et al. D6/309

1 Claim, 7 Drawing Sheets



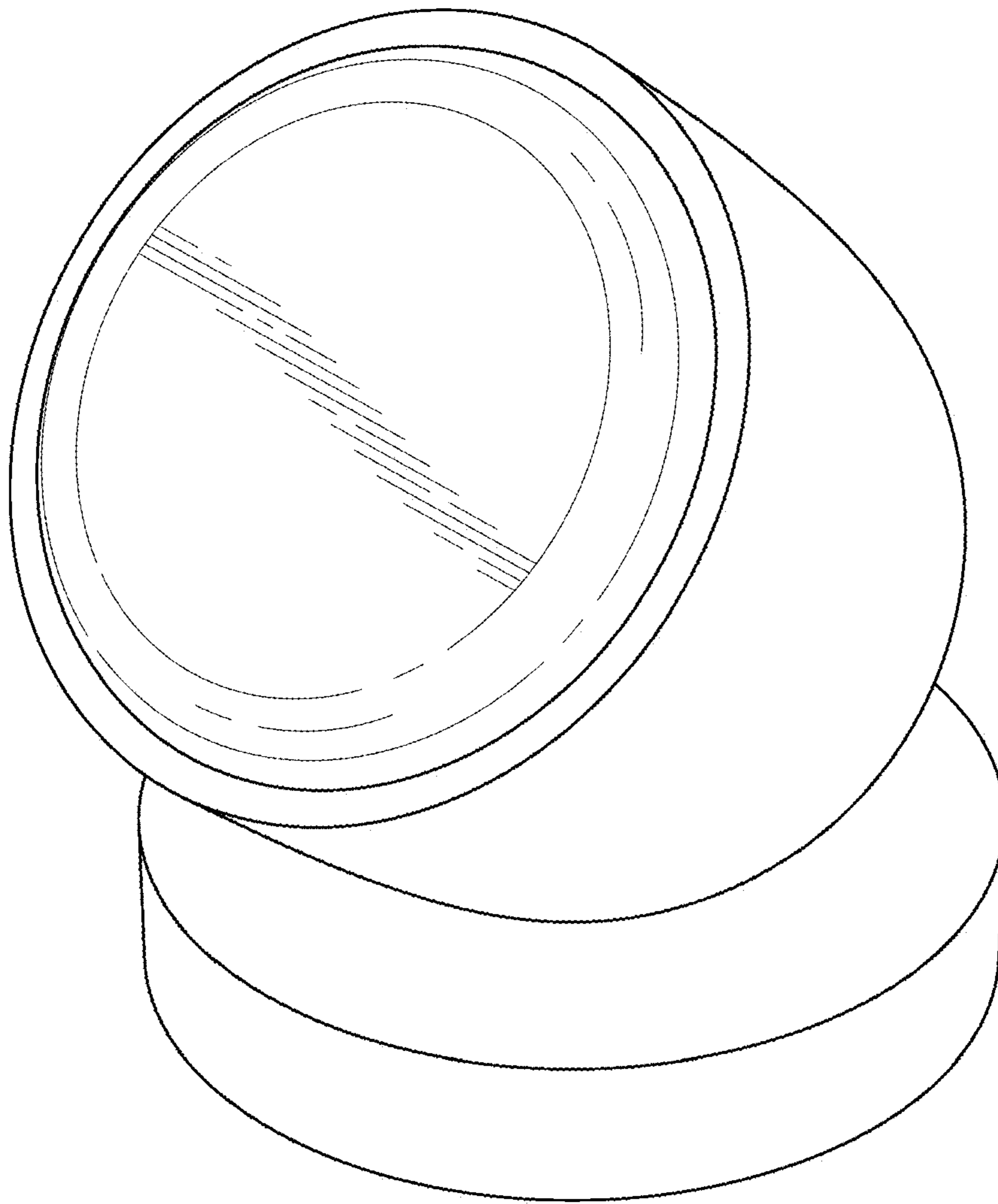
(56)

References Cited

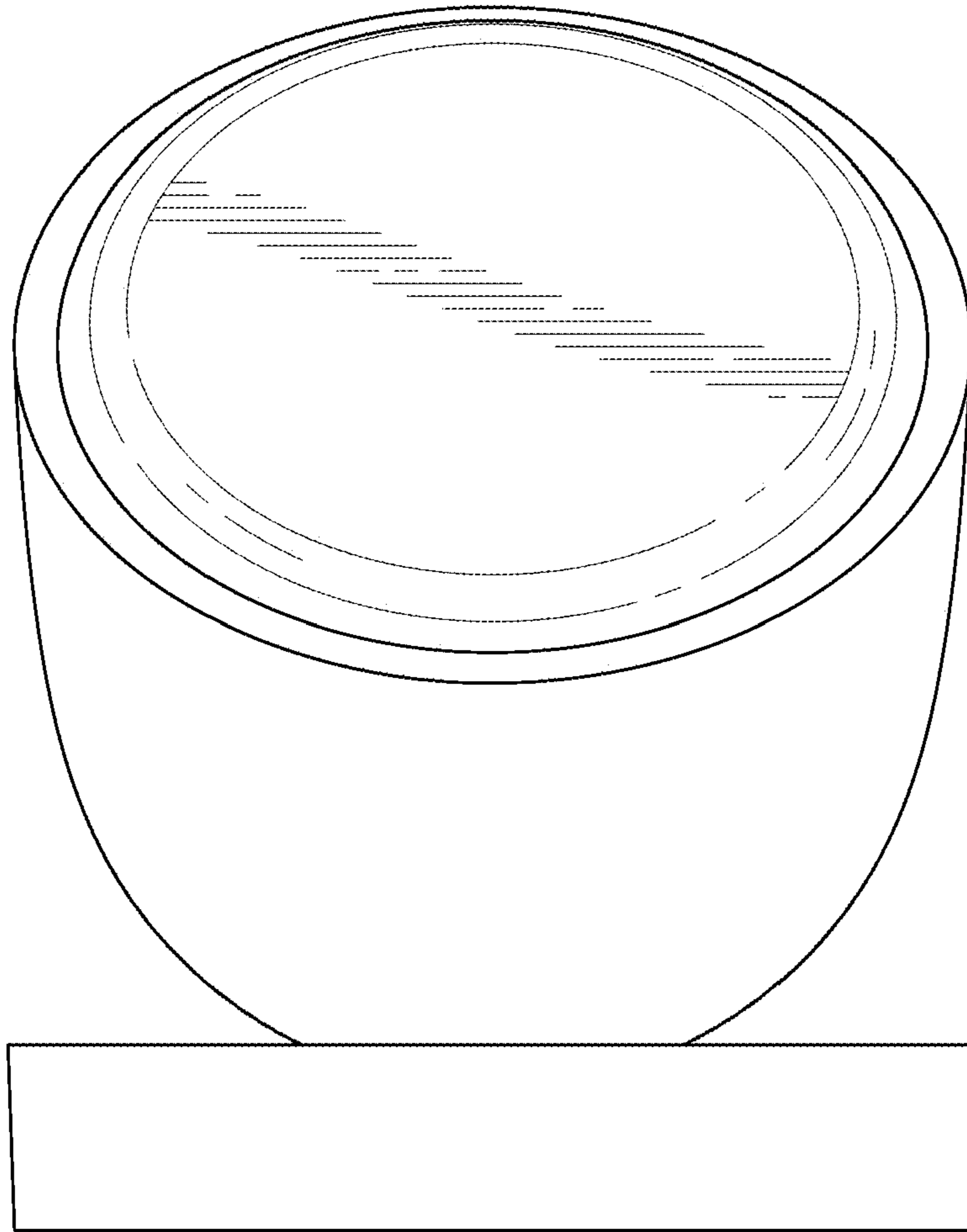
U.S. PATENT DOCUMENTS

D858,861 S * 9/2019 Lin D26/108
10,420,954 B2 * 9/2019 Iwahashi F21S 6/00
D861,967 S * 10/2019 Lin D26/110
D880,741 S * 4/2020 Duarte D26/61
D882,856 S * 4/2020 Feng D26/104
D887,069 S * 6/2020 Dou D26/104
10,690,316 B1 * 6/2020 Feinbloom F21L 4/00
D889,730 S * 7/2020 Lin D26/110
D890,406 S * 7/2020 Chen D26/104
D893,060 S * 8/2020 Israni D26/24
D896,808 S * 9/2020 Koh D14/496
10,767,840 B2 * 9/2020 Ferguson A61B 90/35
D901,065 S * 11/2020 Wang D26/104
10,830,410 B1 * 11/2020 Wei F21V 23/02
D903,559 S * 12/2020 Tomasson D14/496
D905,316 S * 12/2020 Bie D26/93
D905,318 S * 12/2020 Cui D26/106
11,060,700 B2 * 7/2021 Jiang F21V 14/06
D930,212 S * 9/2021 Liu D26/63
11,112,106 B1 * 9/2021 Ding F21V 21/088
11,118,745 B2 * 9/2021 Zheng F21V 29/70
11,118,753 B1 * 9/2021 Zheng F21S 10/00
D933,040 S * 10/2021 Lin D14/204
D935,683 S * 11/2021 Garrett F21S 6/00
D26/104
2011/0310613 A1 * 12/2011 Evans A61M 21/02
362/274
2018/0359831 A1 * 12/2018 Morr H05B 45/20
2019/0030360 A1 * 1/2019 Iwahashi F21S 10/023

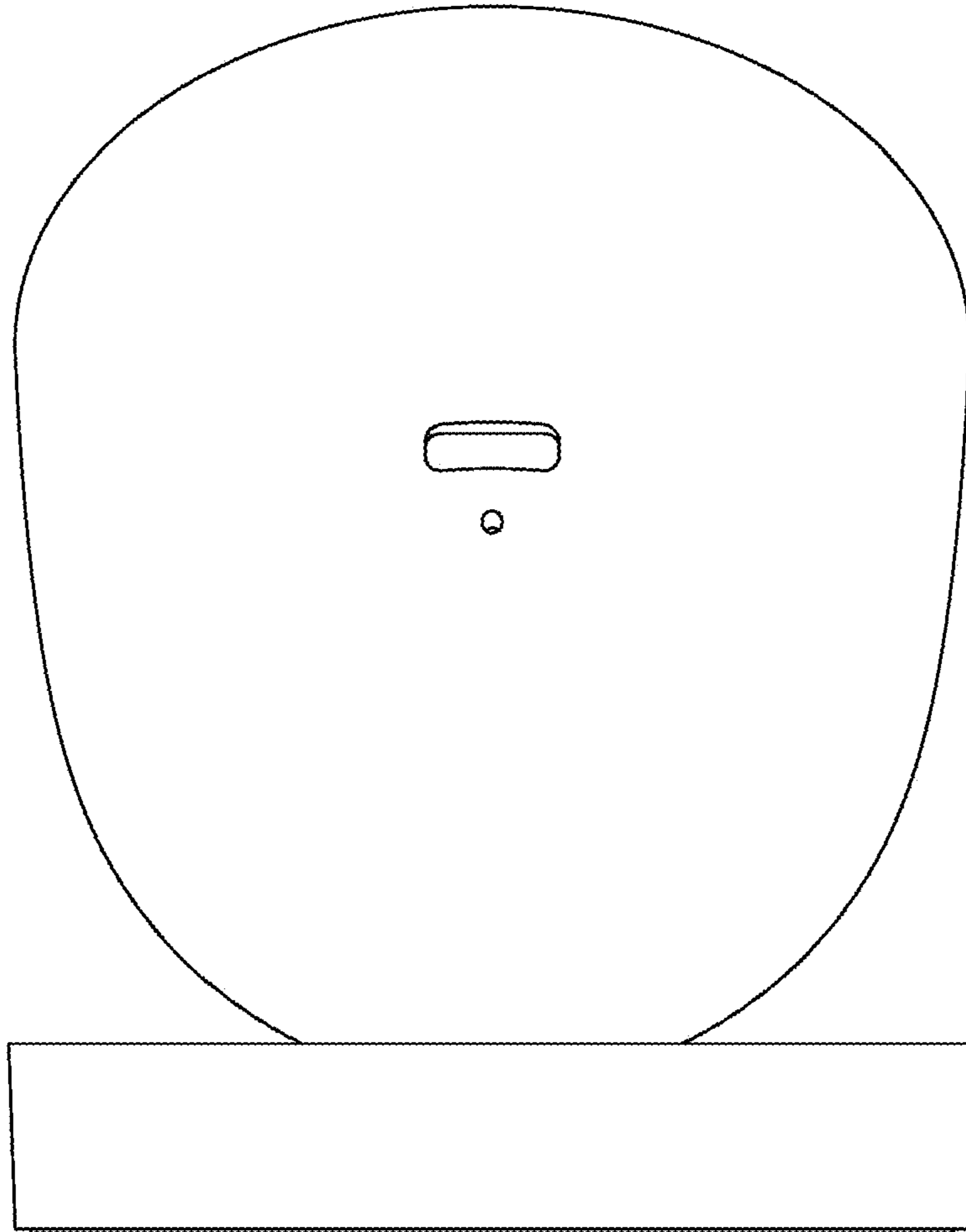
* cited by examiner



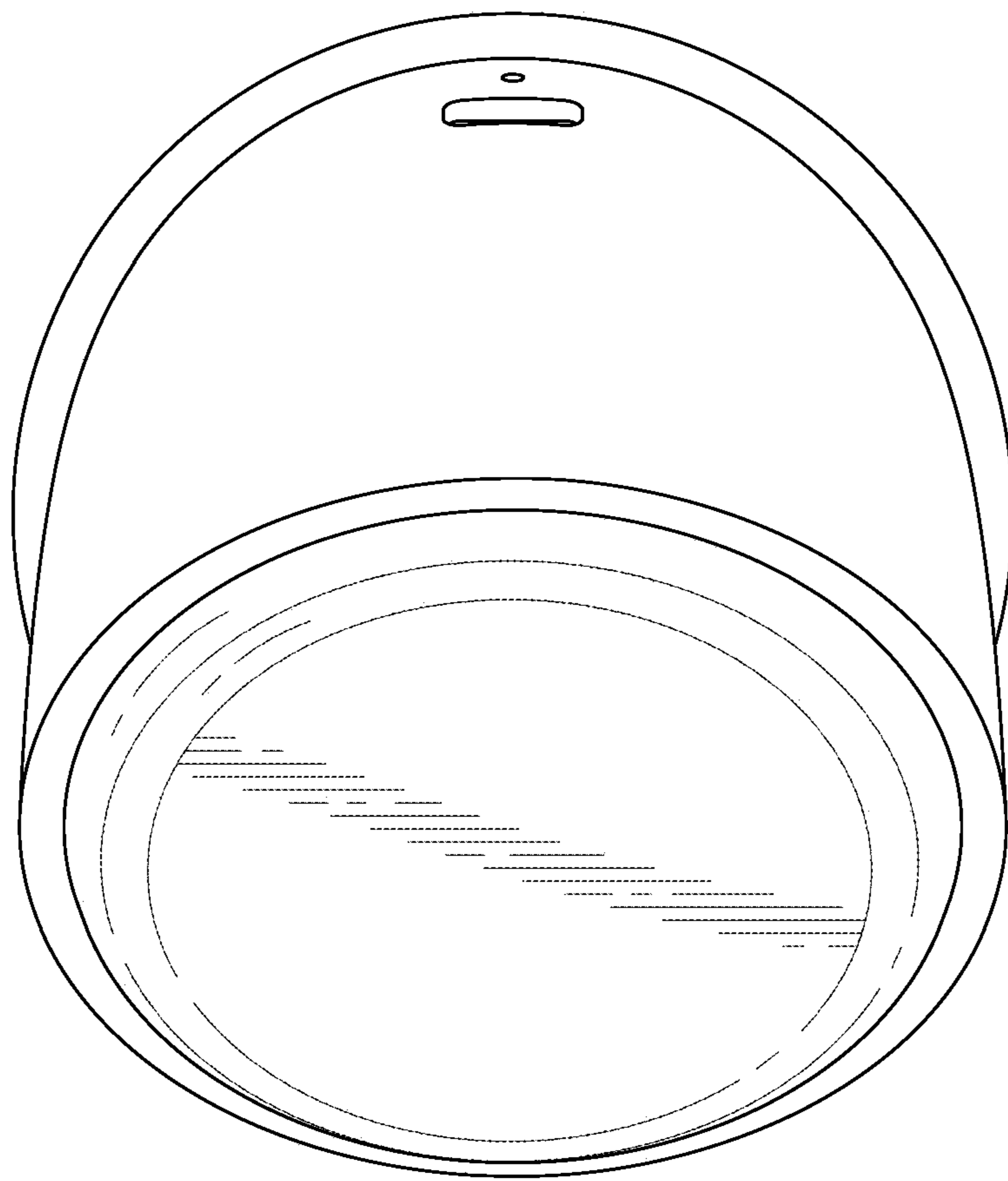
1.1



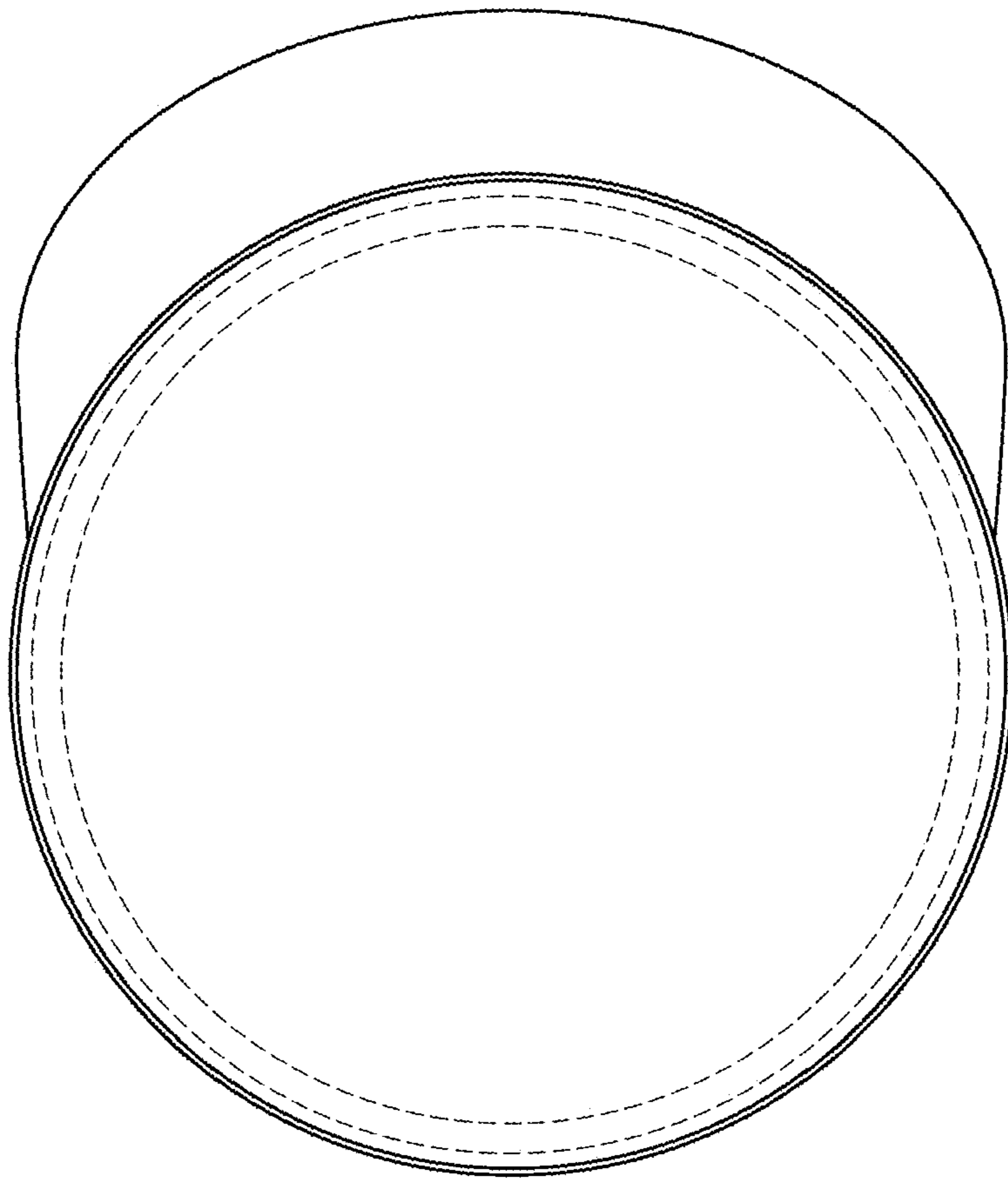
1.2



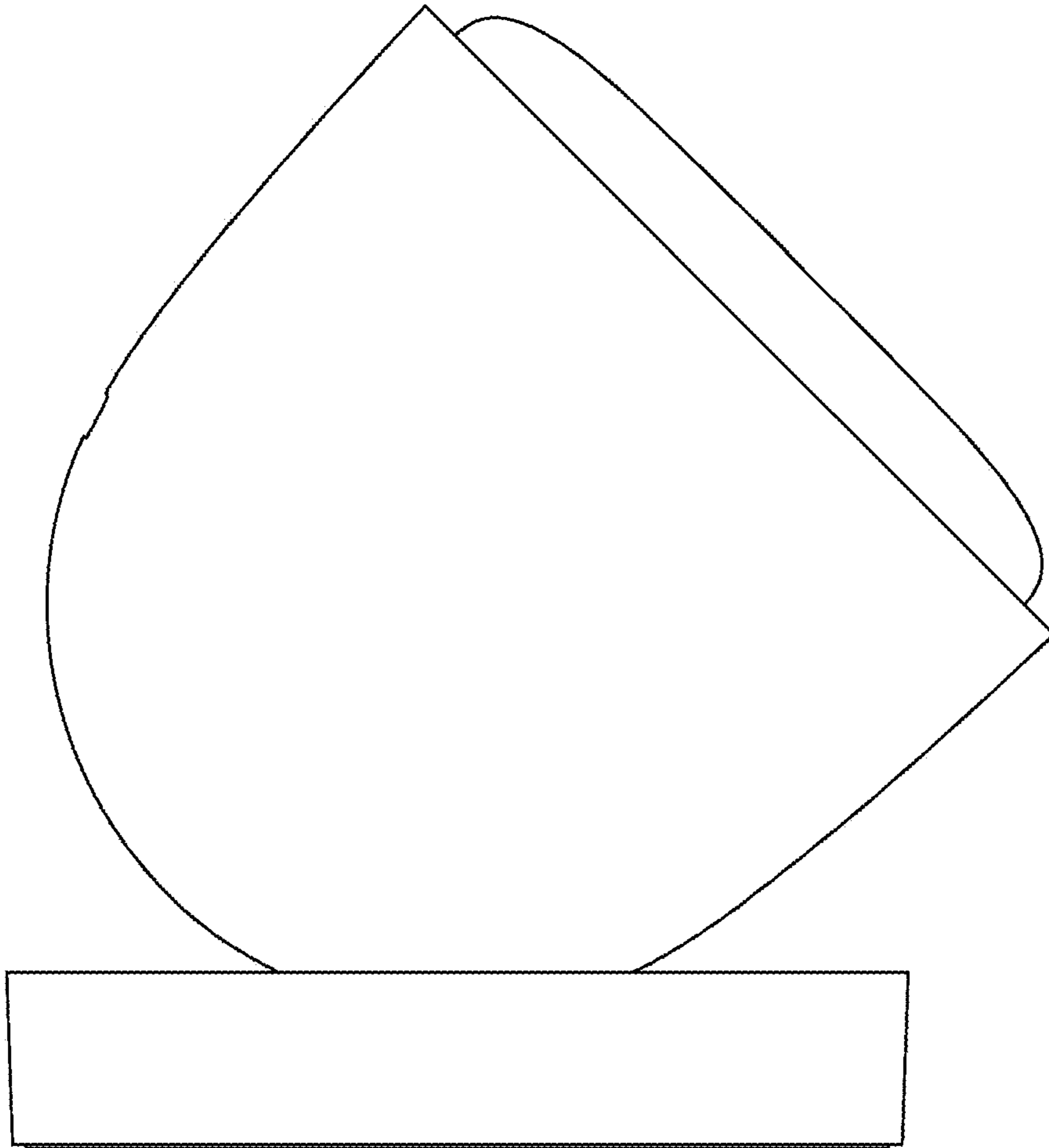
1.3



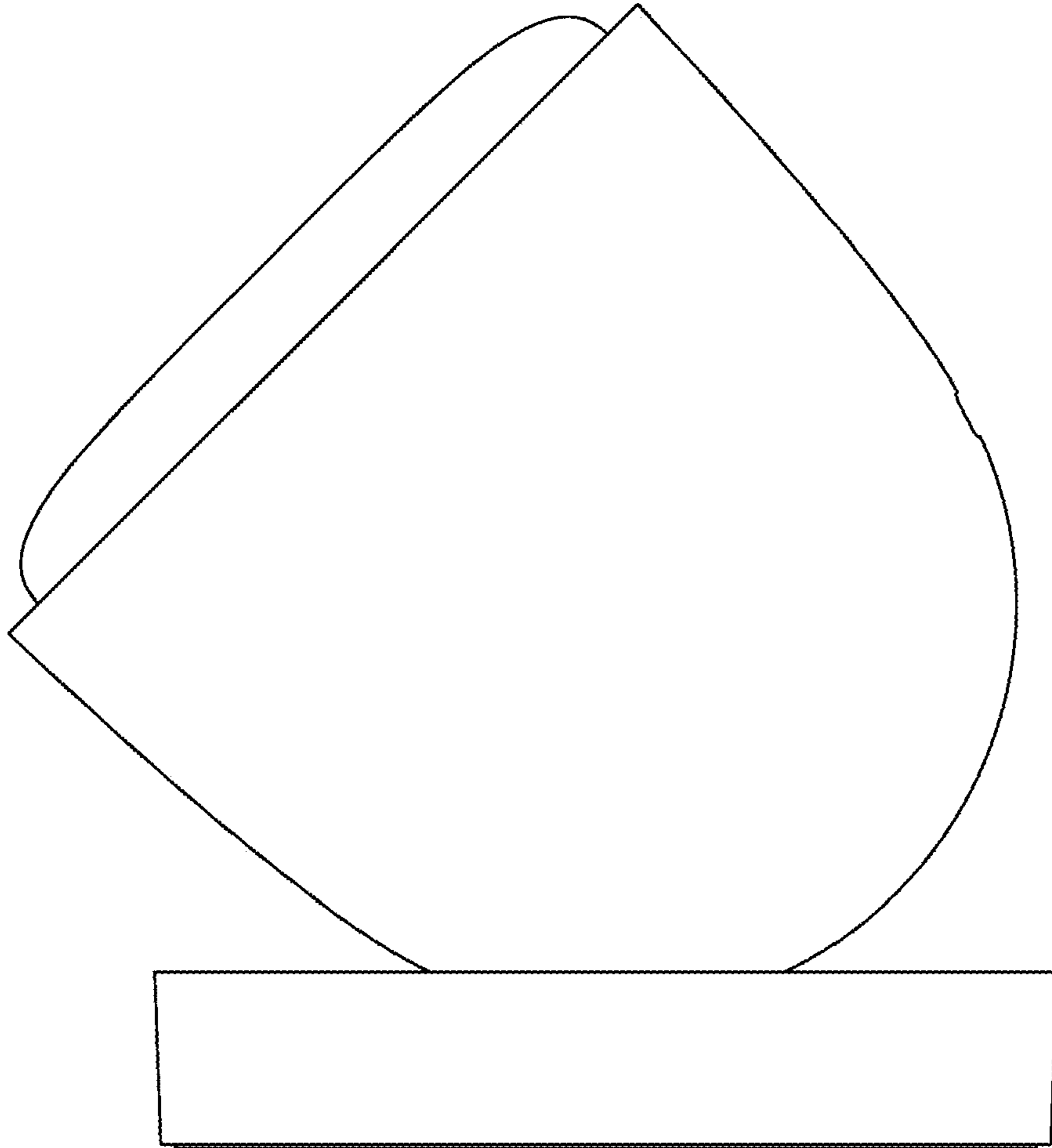
1.4



1.5



1.6



1.7