



US00D957711S

(12) **United States Design Patent** (10) **Patent No.:** **US D957,711 S**
Shen (45) **Date of Patent:** **** Jul. 12, 2022**

(54) **WORK LIGHT**

D899,650 S * 10/2020 Harvey D26/50
D904,662 S * 12/2020 Bao D26/63
2016/0327260 A1* 11/2016 Chaimberg F21V 21/145
(Continued)

(71) Applicant: **NINGBO TALLER ELECTRICAL APPLIANCE CO., LTD.**, Yuyao (CN)

FOREIGN PATENT DOCUMENTS

(72) Inventor: **Jianli Shen**, Yuyao (CN)

CA 165884 * 11/2016
CN 303250243 * 6/2015
CN 303607852 * 3/2016
(Continued)

(73) Assignee: **NINGBO TALLER ELECTRICAL APPLIANCE CO., LTD.**, Yuyao (CN)

(**) Term: **15 Years**

OTHER PUBLICATIONS

(21) Appl. No.: **29/751,042**

“Hyperikon” reference by Hyperikon on Amazon.com, date first available Oct. 18, 2017 [online], site visited Feb. 7, 2022, available from internet URL: https://www.amazon.com/dp/B076JJNB88/ref=cm_sw_em_r_mt_dp_ABDPB535YYAYGA84TJ56 (Year: 2017).*
(Continued)

(22) Filed: **Sep. 18, 2020**

(30) **Foreign Application Priority Data**

Aug. 20, 2020 (CN) 202030481089.4

(51) **LOC (13) Cl.** **26-02**

(52) **U.S. Cl.**
USPC **D26/44**

(58) **Field of Classification Search**
USPC D26/72, 113, 118–122, 138–142, 145,
D26/152, 154, 155, 24, 74, 85, 123, 124,
D26/128–134, 137, 37, 44, 50
CPC F21S 8/00; F21K 9/20; F21K 9/237; F21V
15/013; F21V 17/04; F21V 21/00; F21V
21/02

See application file for complete search history.

Primary Examiner — Marissa J Cash
Assistant Examiner — Liv C Anderson
(74) *Attorney, Agent, or Firm* — Bayramoglu Law Offices LLC

(57) **CLAIM**

The ornamental design for a work light, as shown and described.

DESCRIPTION

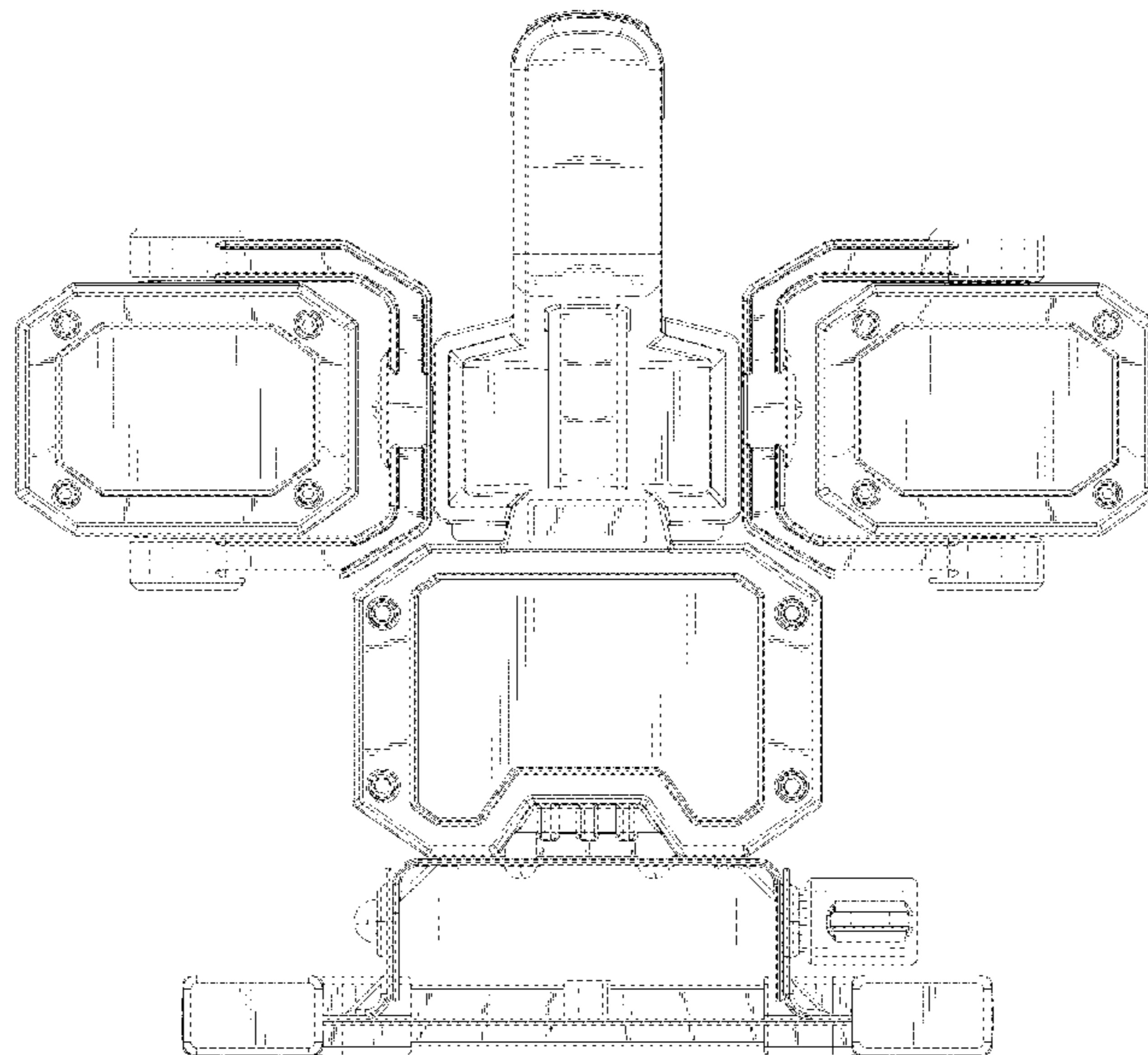
FIG. 1 is a front view of a work light showing my new design;
FIG. 2 is a rear view thereof;
FIG. 3 is a left side view thereof;
FIG. 4 is a right side view thereof;
FIG. 5 is a top view thereof;
FIG. 6 is a bottom view thereof; and,
FIG. 7 is a perspective view thereof.
The broken lines in the drawings depict portions of the work light that form no part of the claimed design.

(56) **References Cited**

U.S. PATENT DOCUMENTS

D532,536 S * 11/2006 Krieger D26/38
D553,771 S * 10/2007 Watson D26/37
D556,353 S * 11/2007 Gebhard D26/48
D736,442 S * 8/2015 Kovacic D26/37
D816,252 S * 4/2018 Harvey D26/50
D822,246 S * 7/2018 Hou D26/51
D827,170 S * 8/2018 Zhang D26/44
D841,853 S * 2/2019 Wu D26/63

1 Claim, 7 Drawing Sheets



(56)

References Cited

U.S. PATENT DOCUMENTS

2017/0138575 A1* 5/2017 Harvey F21V 21/145
2019/0120475 A1* 4/2019 Wu F21V 14/02

FOREIGN PATENT DOCUMENTS

CN 303613961 * 3/2016
CN 304909774 * 11/2018
CN 208332077 U 1/2019
GB 6044132 * 9/2018
GB 6074533 * 10/2019
JP D1554847 * 6/2016

OTHER PUBLICATIONS

“Makita” reference by Amazon.com, date first available Jul. 1, 2015 [online], site visited Feb. 7, 2022, available from internet URL:

https://www.amazon.com/dp/B010SV3000/ref=cm_sw_em_r_mt_dp_F8KV8M1GQYSA0RD4YN32 (Year: 2015).*

“Worx” reference by Amazon.com, date first available Dec. 1, 2016 [online], site visited Feb. 7, 2022, available from internet URL: https://www.amazon.com/dp/B01MSMI3AS/ref=cm_sw_em_r_mt_dp_K00AN0FCTE9GANKBKP2K (Year: 2016).*

“Stanley” reference by LUTEC on Amazon.com, date first available Aug. 10, 2019 [online], site visited Feb. 7, 2022, available from internet URL: https://www.amazon.com/dp/B07VGVMRQQ/ref=cm_sw_em_r_mt_dp_KDG3TA6J5ESG2VQYZRJT (Year: 2019).*

“Olafus” reference by Olafus on Amazon.com, date first available Aug. 20, 2020 [online], site visited Feb. 7, 2022, available from internet URL: https://www.amazon.com/dp/B08GCH5VYD/ref=cm_sw_em_r_mt_dp_HTAFPW4TNKW6MPTHDC0 (Year: 2020).*

“ePower” reference by California Car Cover on YouTube.com, date announced on YouTube.com Nov. 3, 2020, site visited Feb. 7, 2022, internet URL: <https://www.youtube.com/watch?v=jFi86vRtvDA> (Year: 2020).*

* cited by examiner

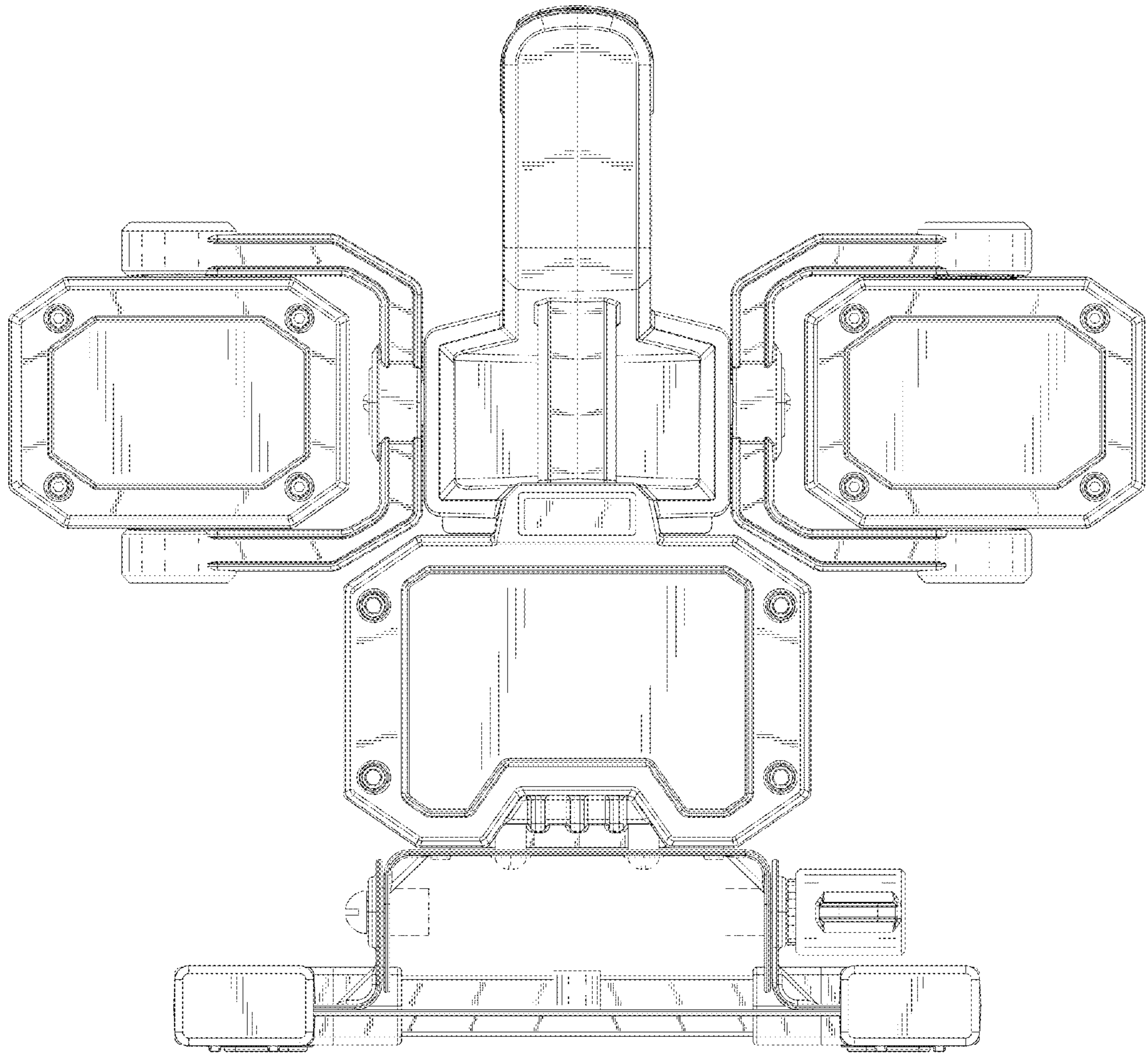


FIG. 1

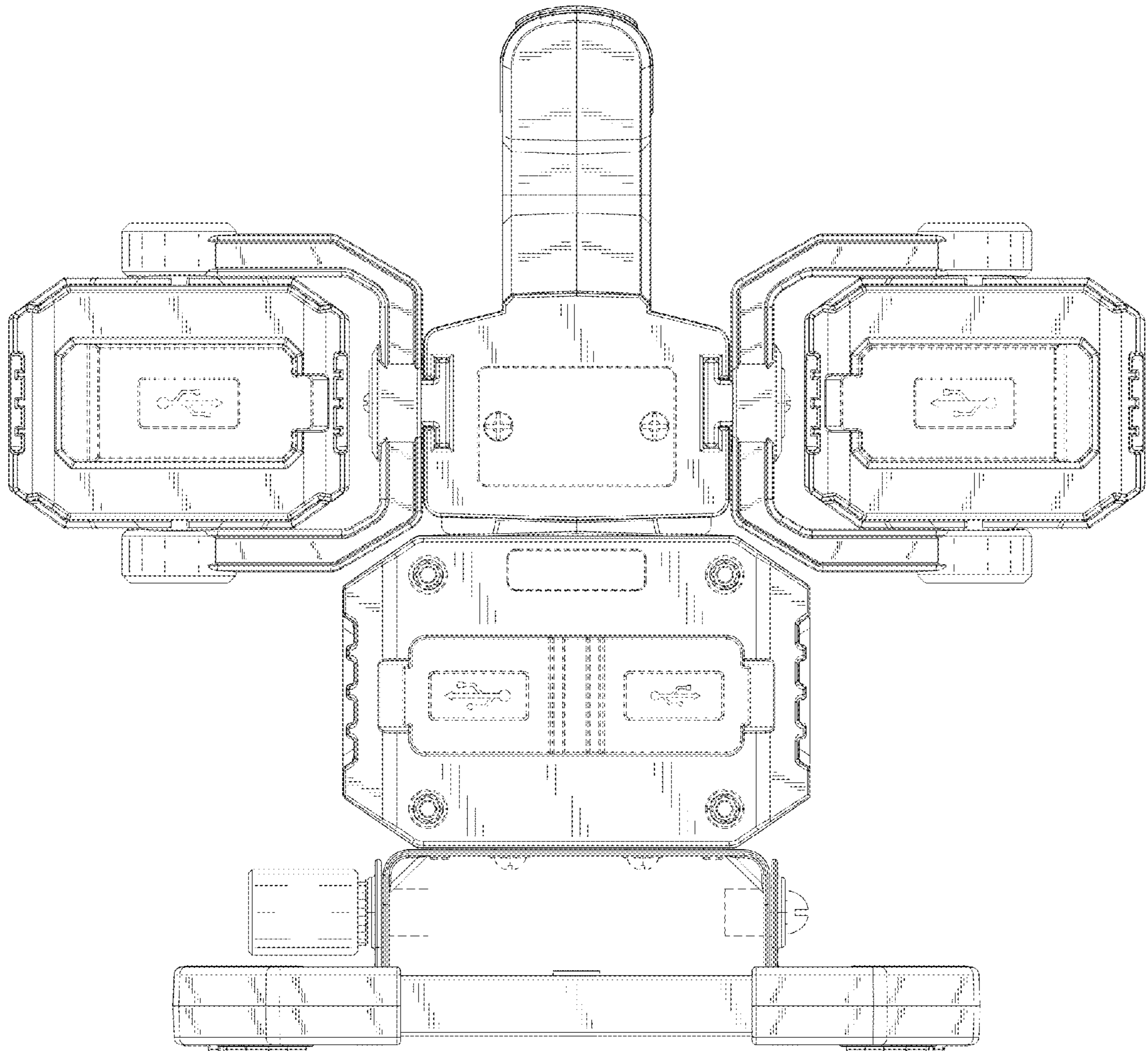


FIG. 2

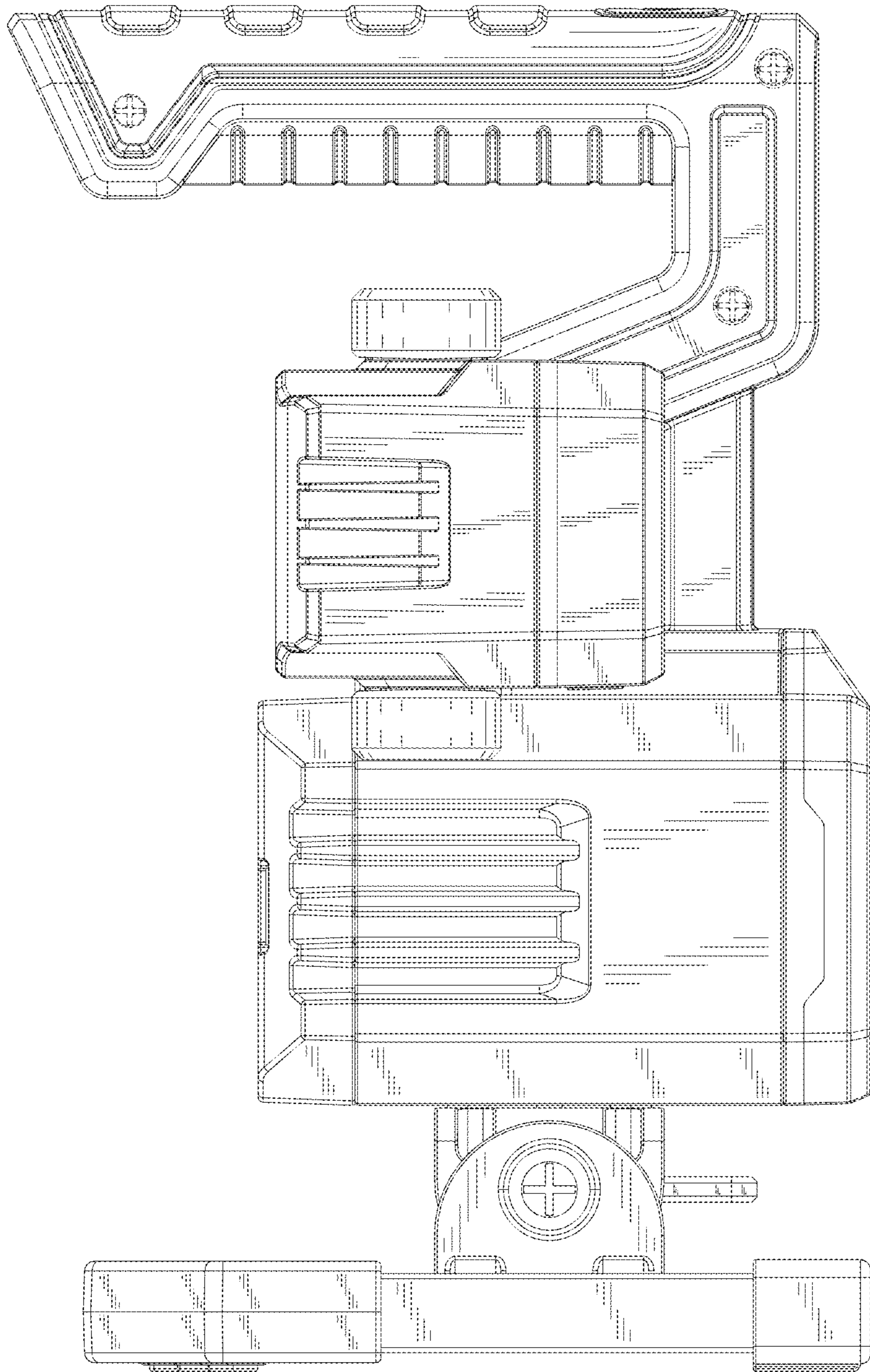


FIG. 3

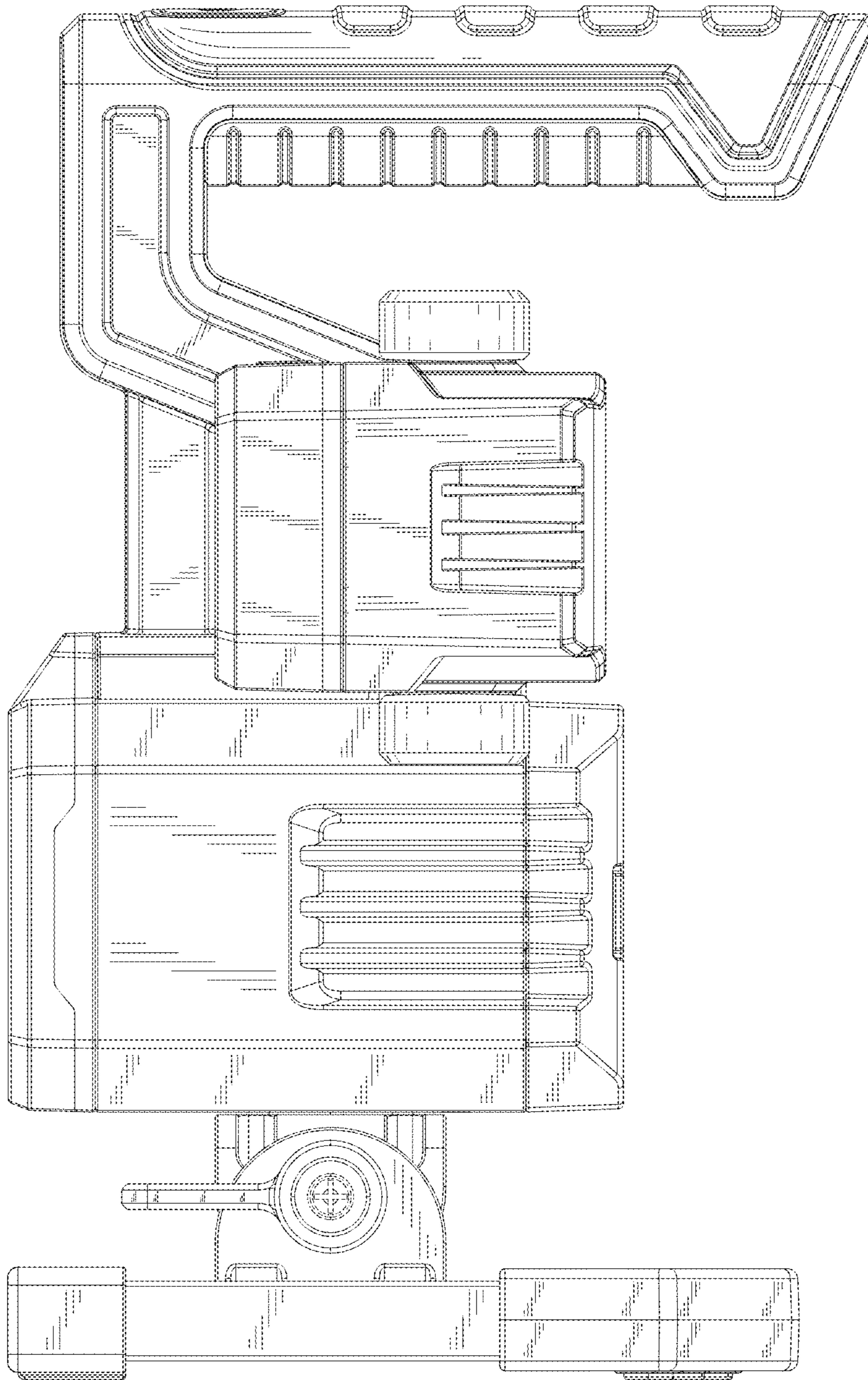


FIG. 4

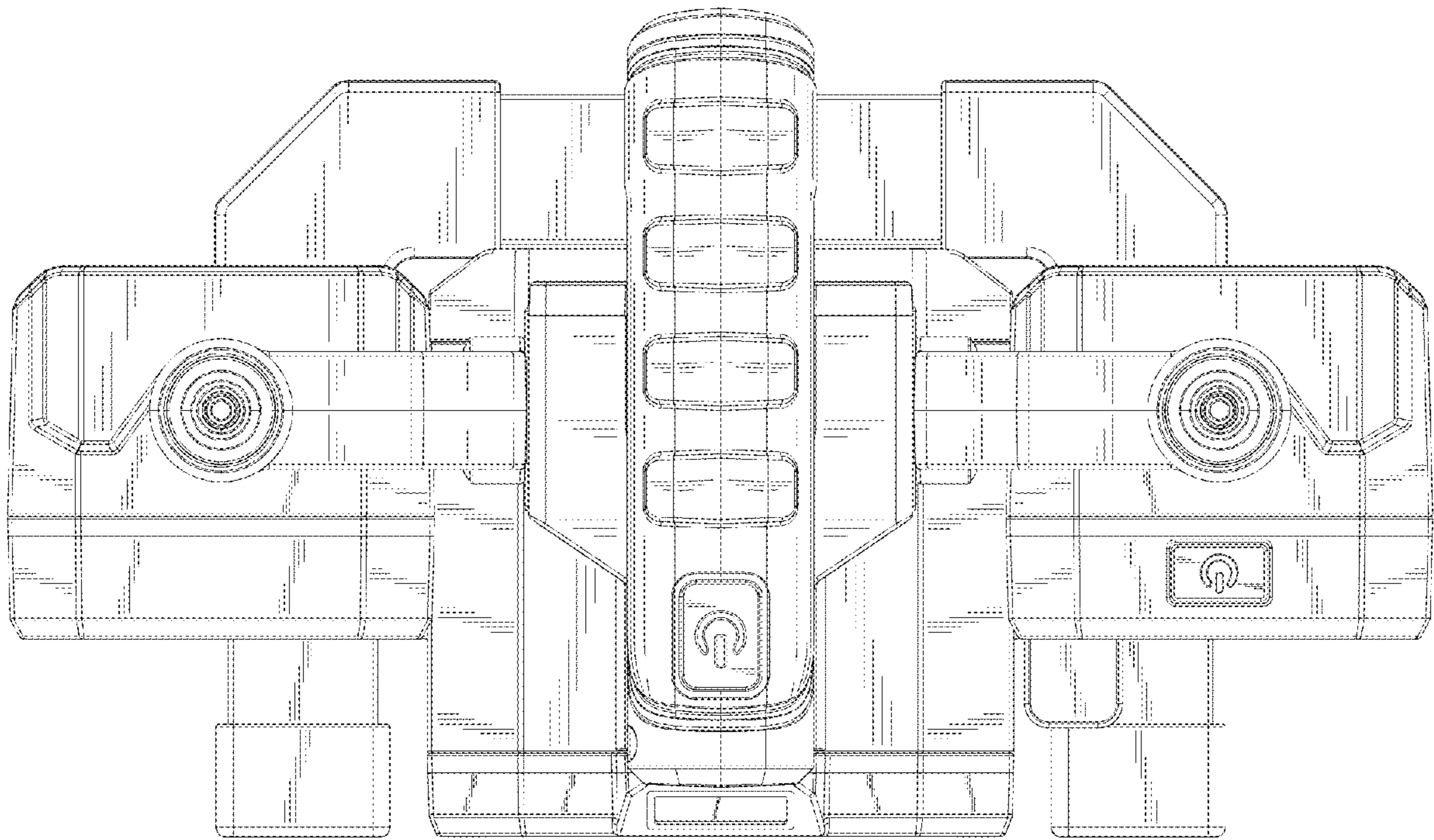


FIG. 5

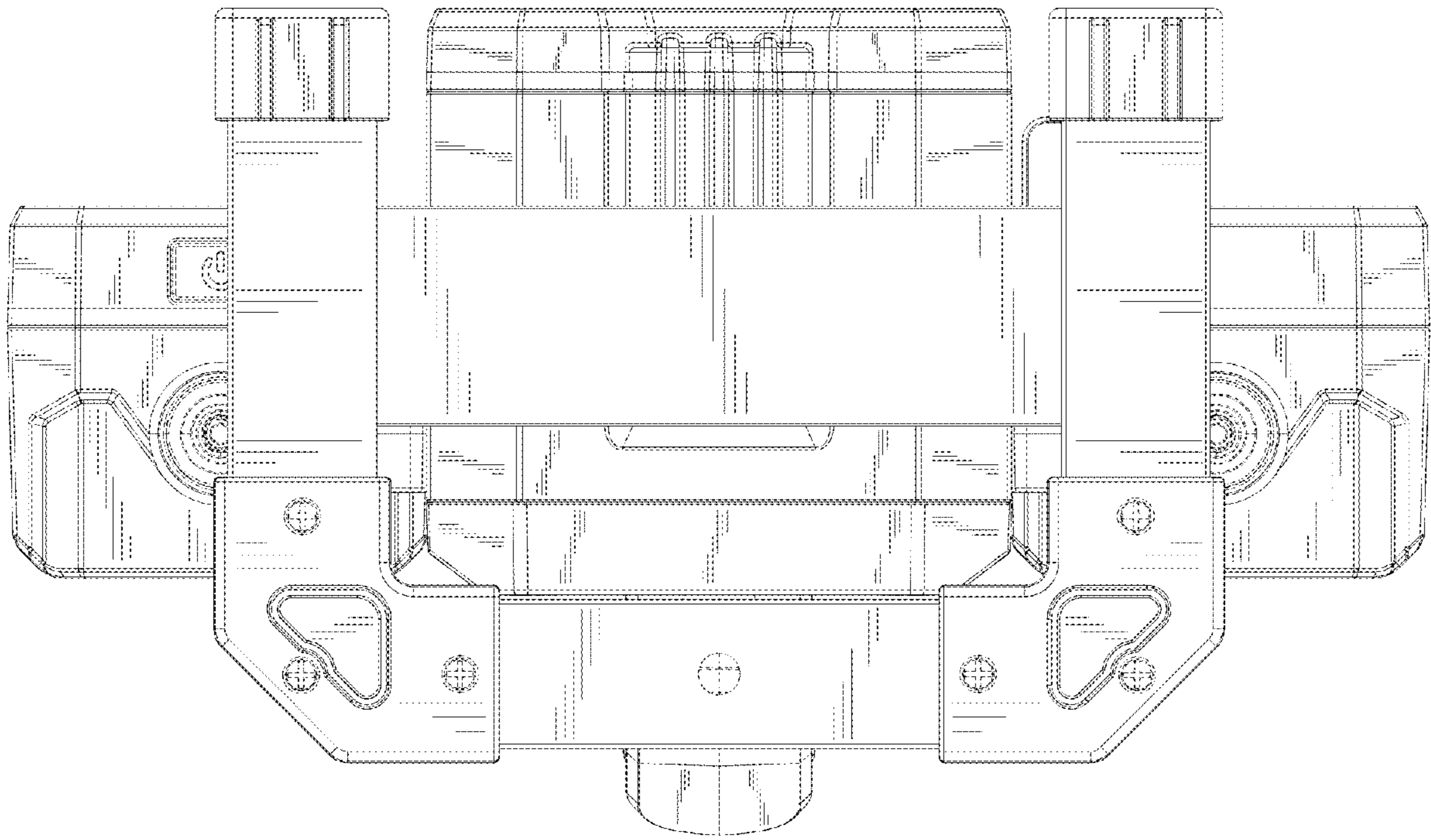


FIG. 6

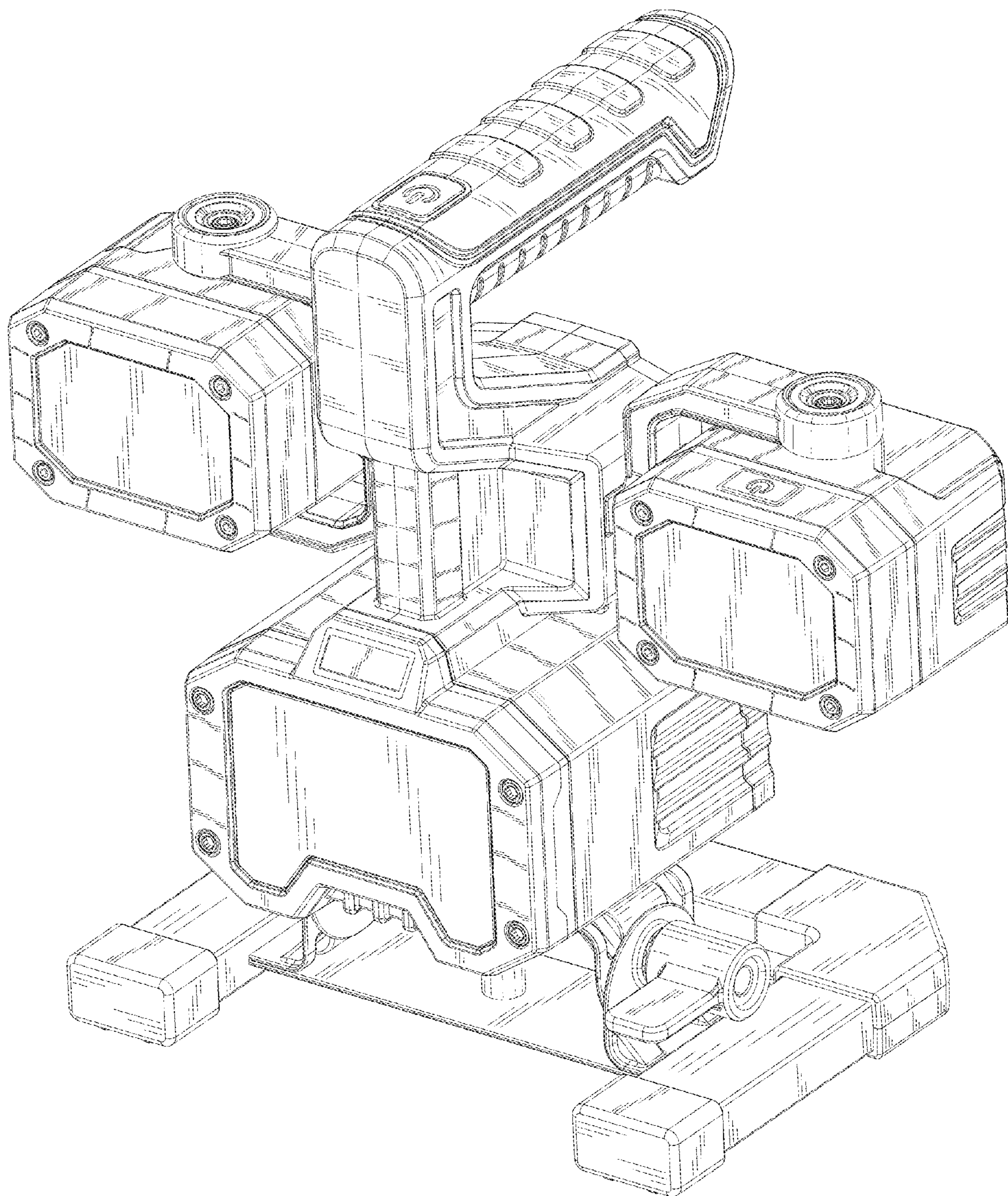


FIG. 7