



US00D957710S

(12) **United States Design Patent**  
**Stines**

(10) **Patent No.:** **US D957,710 S**  
(45) **Date of Patent:** **\*\* Jul. 12, 2022**

- (54) **HANDHELD UV LAMP**
- (71) Applicant: **American Ultraviolet Co., Inc.**,  
Lebanon, IN (US)
- (72) Inventor: **Meredith C. Stines**, Lebanon, IN (US)
- (73) Assignee: **American Ultraviolet Co., Inc.**,  
Lebanon, IN (US)
- (\*\*) Term: **15 Years**
- (21) Appl. No.: **29/739,050**
- (22) Filed: **Jun. 22, 2020**
- (51) **LOC (13) Cl.** ..... **26-02**
- (52) **U.S. Cl.**  
USPC ..... **D26/42; D24/217**
- (58) **Field of Classification Search**  
USPC ..... D26/24, 37-52, 61, 72, 81, 88, 93,  
D26/104-107, 113, 138; D24/217  
CPC .... A61L 2/10; A61L 2202/11; A61L 2202/14;  
A61L 2/26; A61L 9/20; A61L 2202/16;  
A61L 2/0047; A61L 2209/12  
See application file for complete search history.

(56) **References Cited**

**U.S. PATENT DOCUMENTS**

D115,014 S *	5/1939	Waltman	362/223
D123,761 S *	12/1940	Pieper	D26/24
4,786,812 A *	11/1988	Humphreys	A61L 9/20 250/455.11
D475,157 S *	5/2003	Mier-Langner	D26/118
D532,540 S *	11/2006	Cohen	D26/42
D880,742 S *	4/2020	Li	D26/61
D898,219 S *	10/2020	Xie	D24/217
D928,340 S *	8/2021	Chen	D24/217
D928,350 S *	8/2021	Burmeister	D26/24
2001/0042842 A1 *	11/2001	Leighley	A61L 2/10 250/455.11

**OTHER PUBLICATIONS**

36 Watt Handheld Portable UV Light. By Viruslights.com. No Date.  
Found online [Mar. 23, 2022]. <https://viruslights.com/products/36->

watt-handheld-portable-uv-sanitizing-light-industrial-hospital-grade-uv-powerful-disinfection?variant=35659238736025 (Year: 2022).\*  
GermAway UV Xtreme 55 Watt Handheld UVC Surface Sanitizer. By GermAway uv. Dated Aug. 13, 2020. Found online [Mar. 23, 2022]. <https://www.cureuv.com/products/germawayuv-55-watt-handheld-uv-c-surface-sanitizer> (Year: 2020).\*

\* cited by examiner

*Primary Examiner* — Marissa J Cash

*Assistant Examiner* — William B Melliar

(74) *Attorney, Agent, or Firm* — Ice Miller LLP

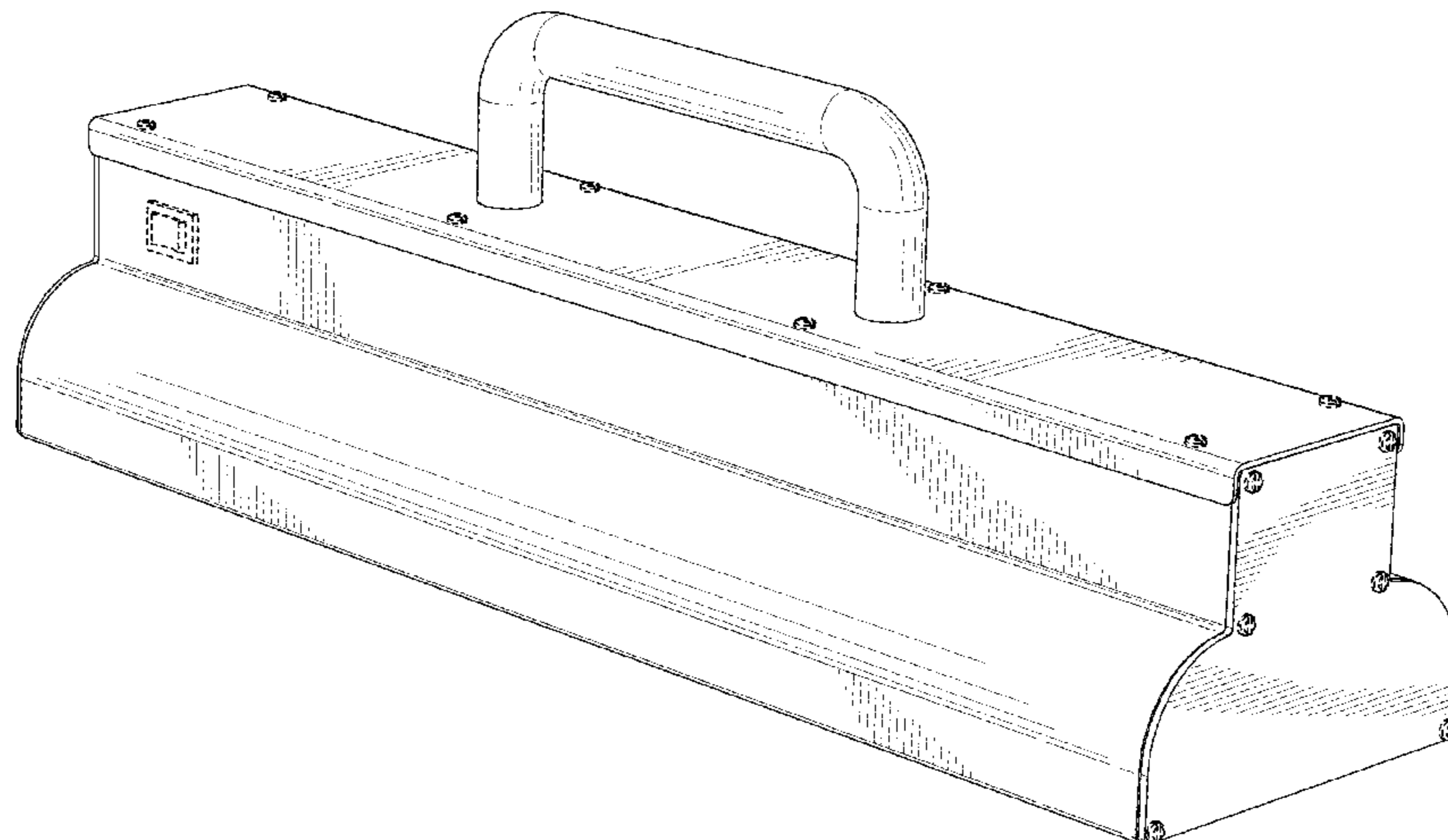
(57) **CLAIM**

The ornamental design for a handheld UV lamp, as shown and described.

**DESCRIPTION**

FIG. 1 is a top side perspective view of the handheld UV lamp;  
 FIG. 2 is a bottom side perspective view of the handheld UV lamp;  
 FIG. 3 is a front side elevation view of the handheld UV lamp;  
 FIG. 4 is a back side elevation view of the handheld UV lamp;  
 FIG. 5 is a right side elevation view of the handheld UV lamp;  
 FIG. 6 is a left side elevation view of the handheld UV lamp;  
 FIG. 7 is a top plan view of the handheld UV lamp; and,  
 FIG. 8 is a bottom plan view of the handheld UV lamp.  
 The broken lines included in all Figures showing the electrical components and screw heads are for the purpose of illustrating a portion of the handheld UV lamp and form no part of the claimed design. All of the broken lines illustrate portions of the handheld UV lamp that form no part of the claimed design.

**1 Claim, 7 Drawing Sheets**



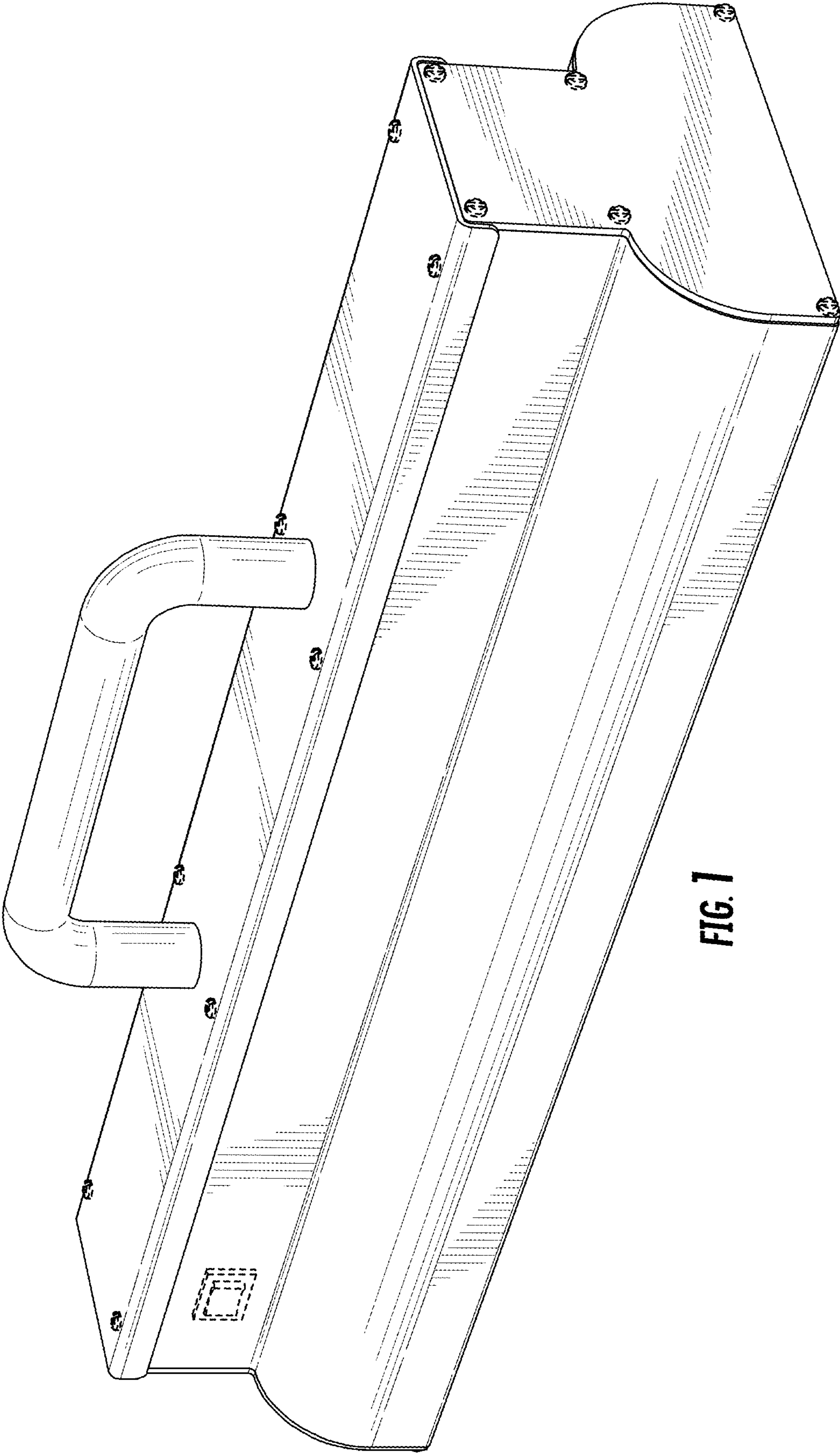


FIG. 1

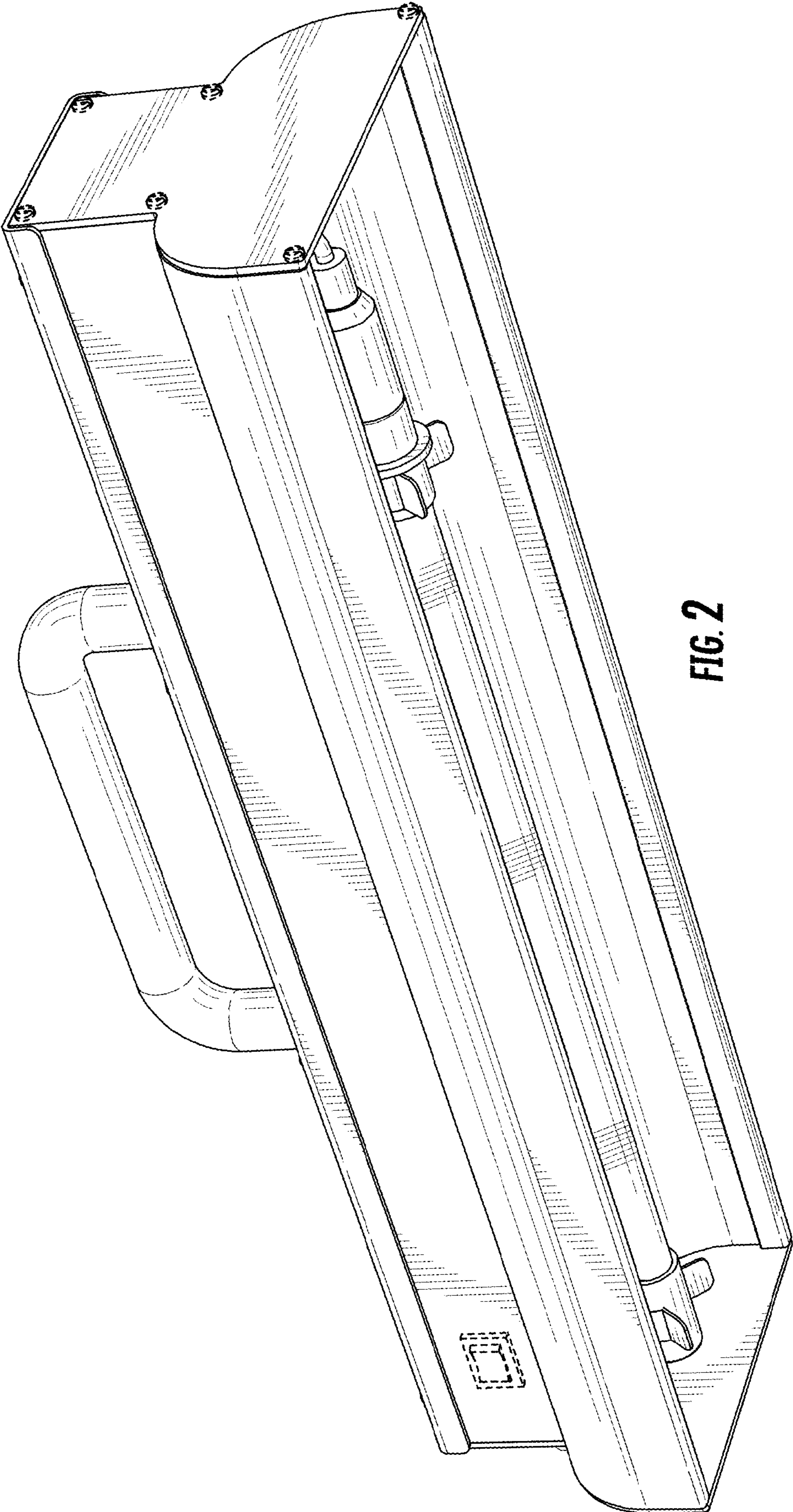


FIG. 2

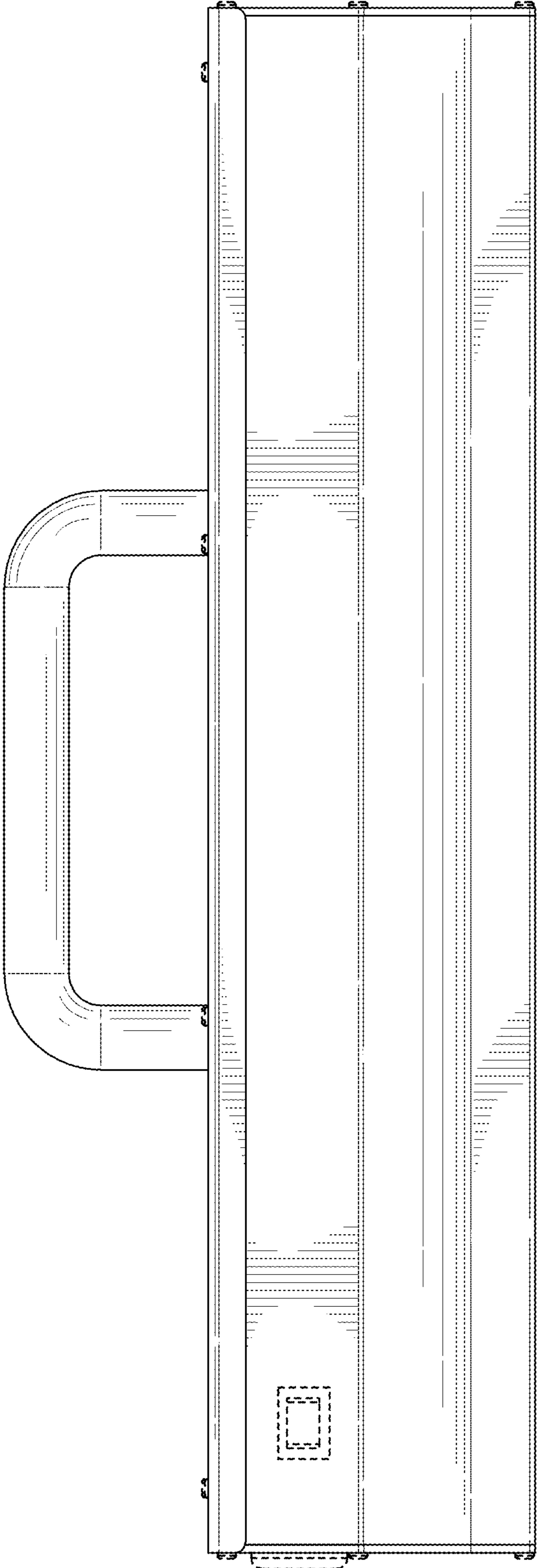
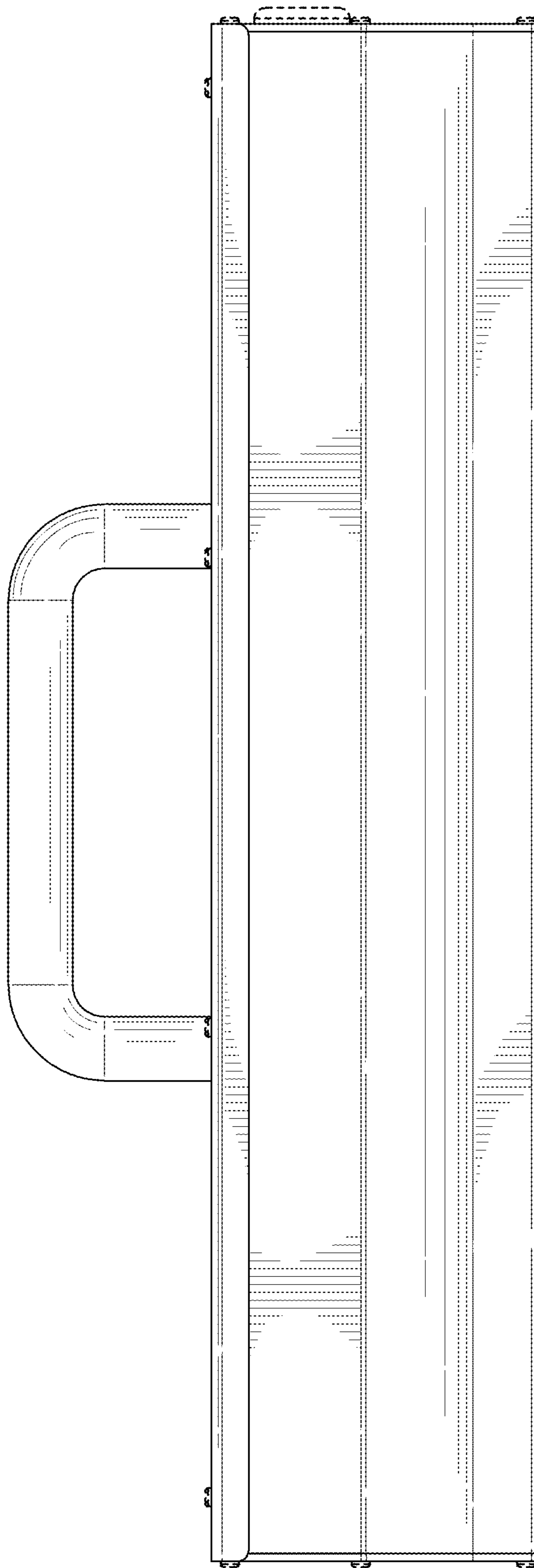
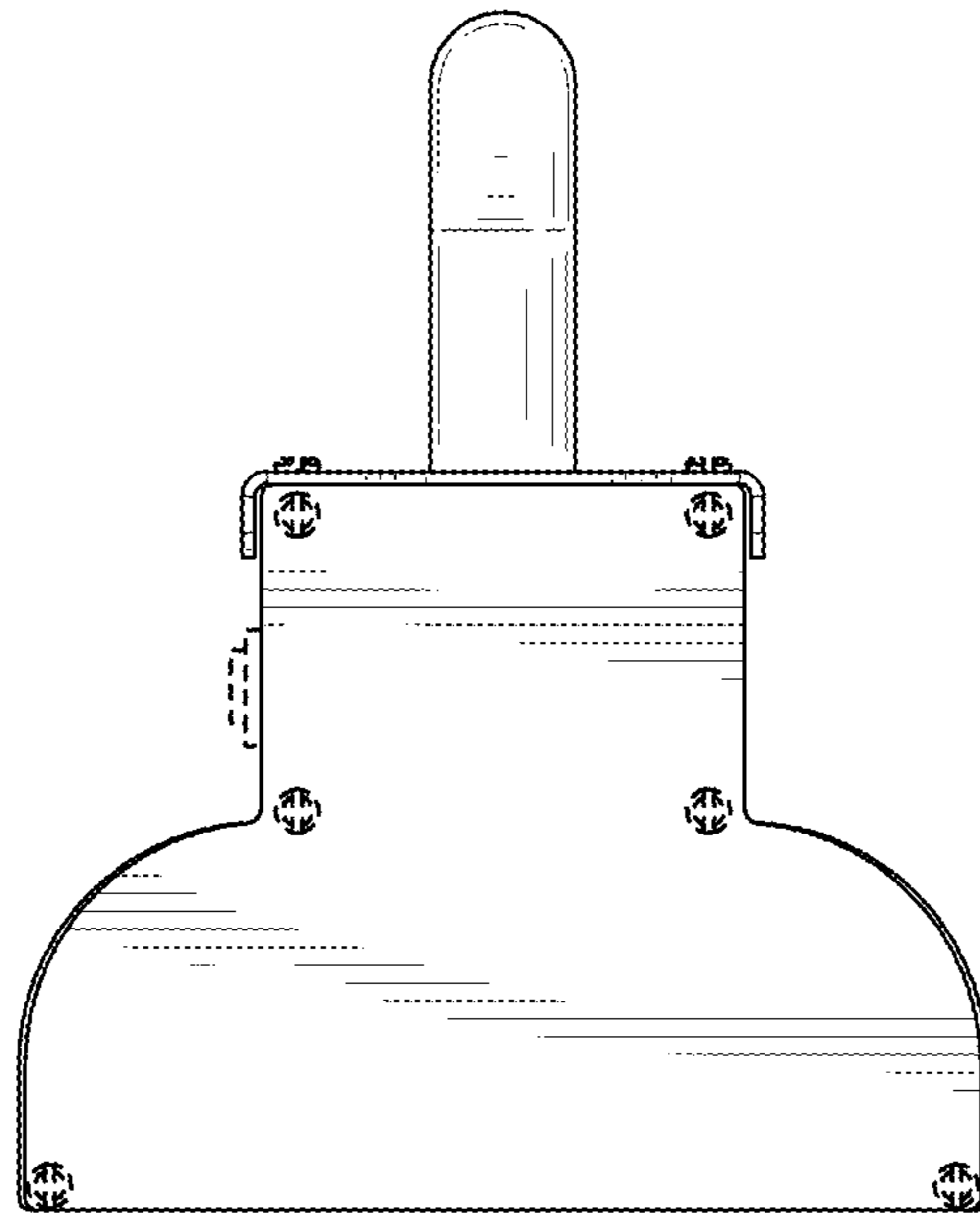


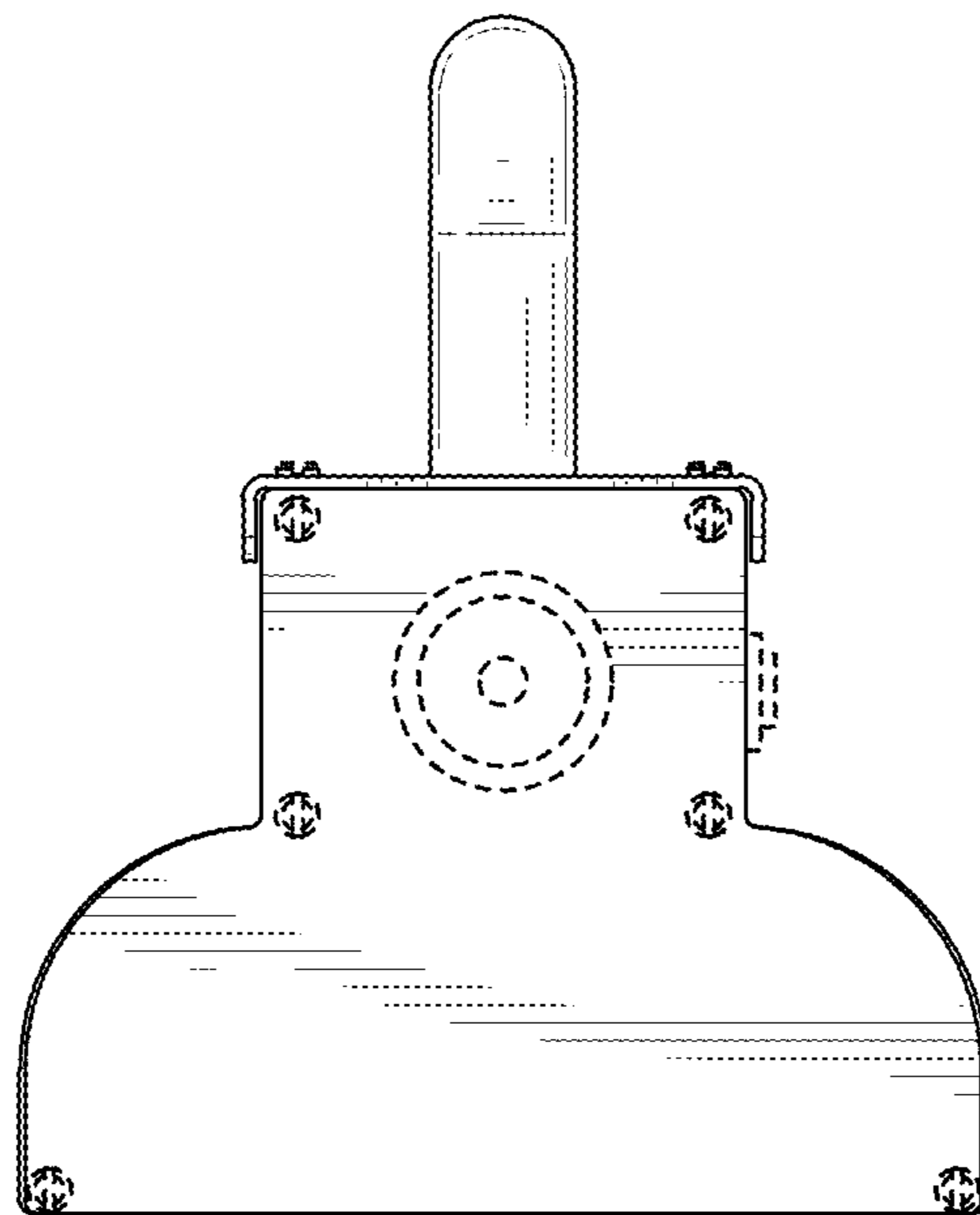
FIG. 3



**FIG. 4**



**FIG. 5**



**FIG. 6**

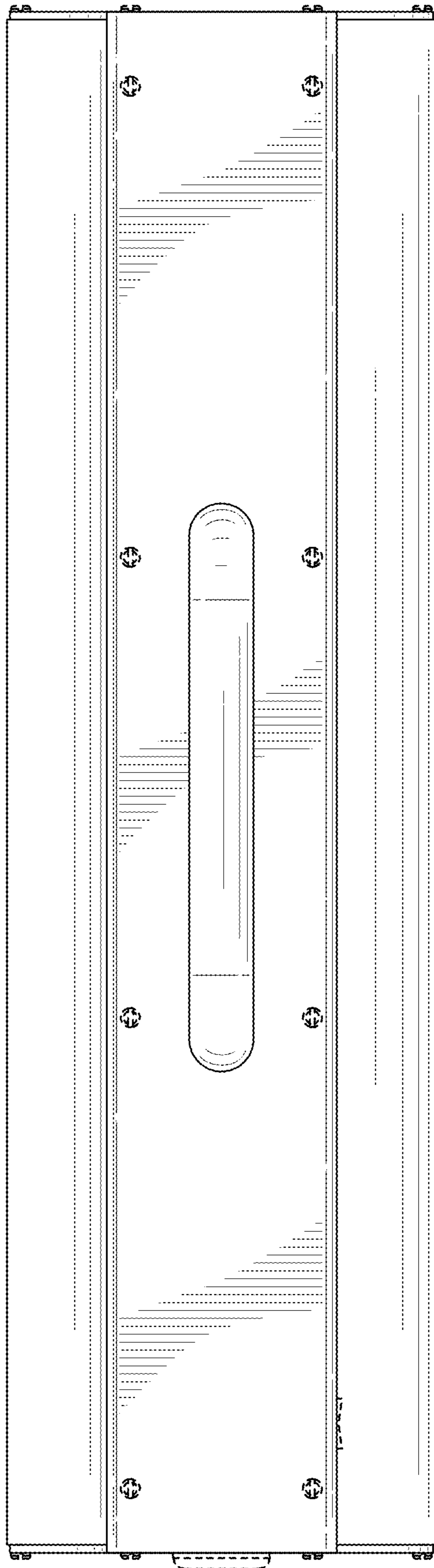


FIG. 7

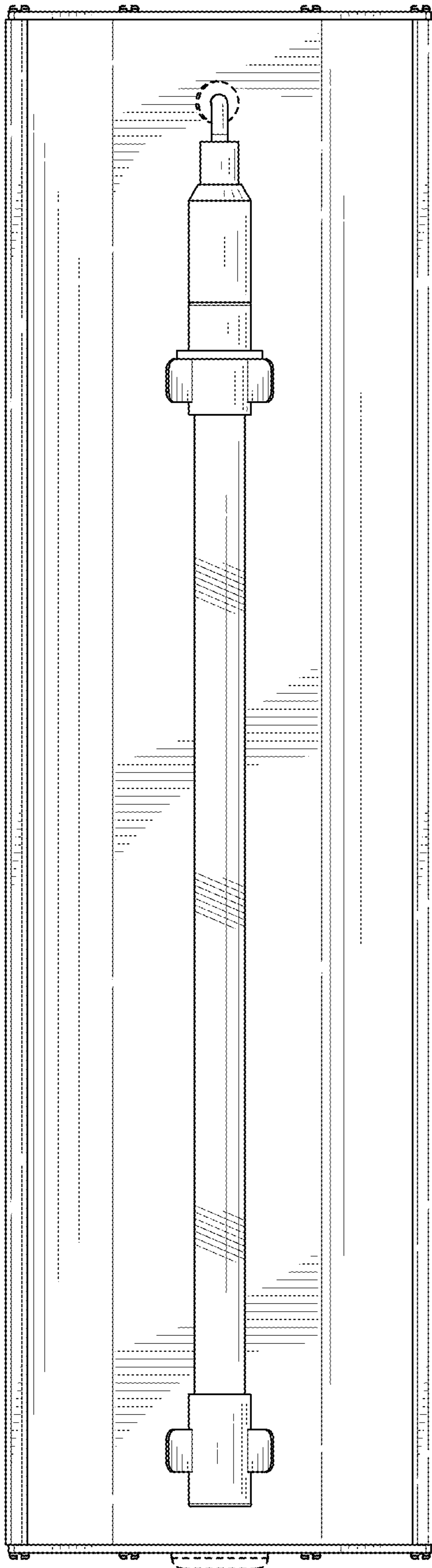


FIG. 8