



US00D957709S

(12) **United States Design Patent** (10) **Patent No.:** **US D957,709 S**  
**Chen** (45) **Date of Patent:** **\*\* Jul. 12, 2022**

(54) **LANTERN** D899,652 S \* 10/2020 Shen ..... D26/41  
D909,655 S \* 2/2021 Liu ..... D26/85  
(71) Applicant: **SOGRACE TECHNOLOGY CO., LTD, Shenzhen (CN)** D912,300 S \* 3/2021 Chen ..... D26/85  
D945,663 S \* 3/2022 Chan ..... D26/40  
D948,092 S \* 4/2022 Zhang ..... D26/94  
(72) Inventor: **Guoqiang Chen, Shenzhen (CN)** 2017/0102130 A1\* 4/2017 Hu ..... F21S 10/063  
2017/0122550 A1\* 5/2017 Sculler ..... F21V 33/0028

(73) Assignee: **SOGRACE TECHNOLOGY CO., LTD, Shenzhen (CN)**

(\*\*) Term: **15 Years**

(21) Appl. No.: **29/802,605**

(22) Filed: **Aug. 6, 2021**

(51) **LOC (13) Cl.** ..... **26-02**

(52) **U.S. Cl.**  
USPC ..... **D26/40; D26/85**

(58) **Field of Classification Search**  
USPC ..... D26/37, 38, 40, 41, 51, 67, 85, 87, 93,  
D26/94, 107, 110-112  
CPC ..... F21S 8/00; F21S 8/03; F21S 8/033; F21S  
8/036; F21S 8/081; F21W 2111/02;  
F21W 2111/023; F21W 2131/109; F21L  
4/00; F21L 4/04; F21L 4/005; F21L  
2005/00; F21L 14/00; F21L 19/00  
See application file for complete search history.

(56) **References Cited**

**U.S. PATENT DOCUMENTS**

D367,724 S \* 3/1996 Porter ..... D26/87  
D429,359 S \* 8/2000 Chen ..... D26/88  
D482,479 S \* 11/2003 Kuelbs ..... D26/67  
D693,955 S \* 11/2013 Yang ..... D26/85  
D694,458 S \* 11/2013 Yang ..... D26/85  
D815,334 S \* 4/2018 Hu ..... D26/94  
D839,463 S \* 1/2019 Fu ..... F21L 4/00  
D26/94  
D884,956 S 5/2020 Ho  
D895,886 S \* 9/2020 Fu ..... D26/106  
D899,645 S \* 10/2020 Wang ..... D26/40

**OTHER PUBLICATIONS**

Jedawn, Christmas Snow Globe Lantern. First available Jul. 6, 2021. Searched May 17, 2022. [https://www.amazon.com/Christmas-Decorative-Christmas-Glittering-Decoration/dp/B098QMB93S/](Year: 2021).\*

(Continued)

*Primary Examiner* — Samantha Q Lawrence  
*Assistant Examiner* — Melissa Adriane Santos

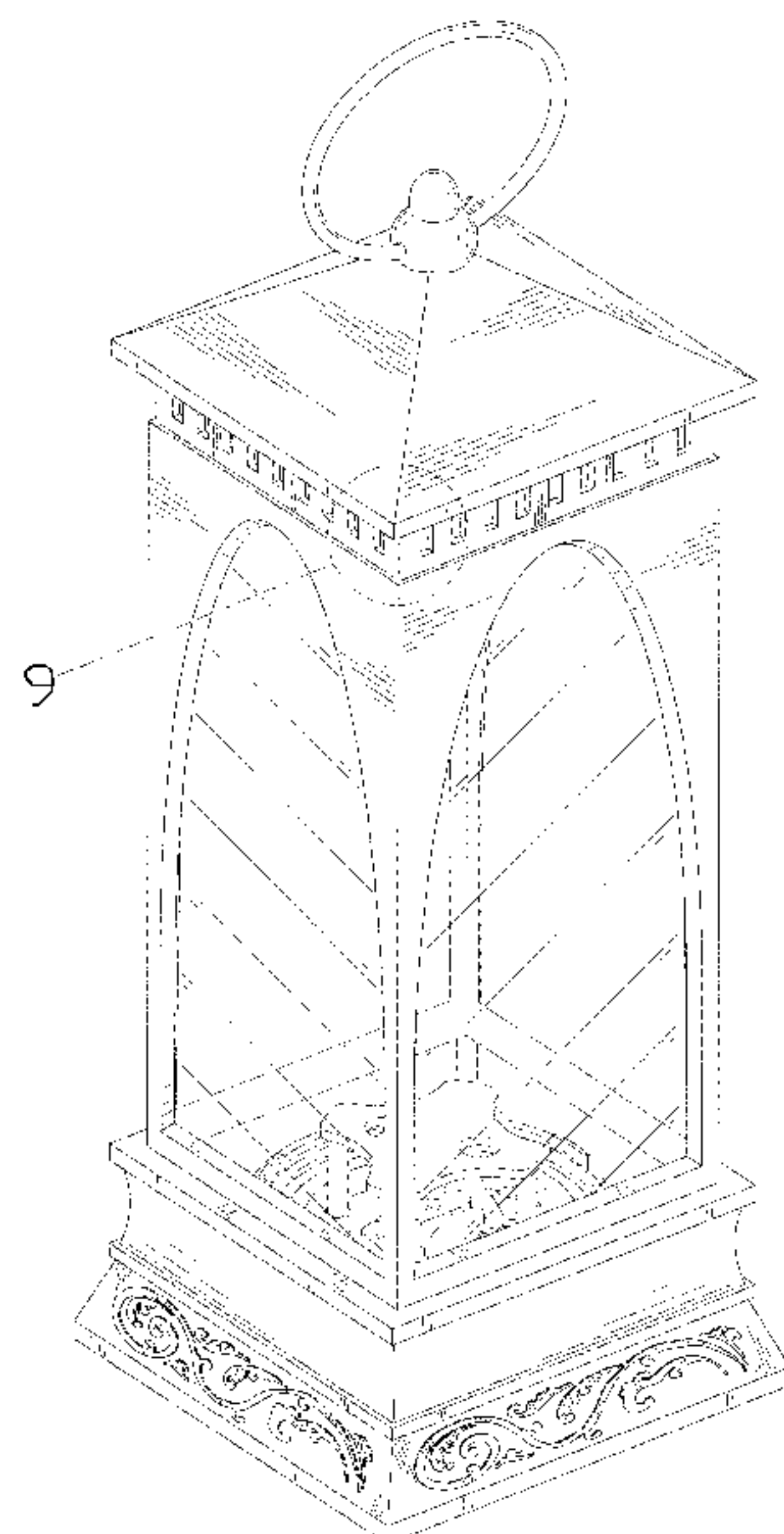
(57) **CLAIM**

The ornamental design for a lantern, as shown and described.

**DESCRIPTION**

FIG. 1 is a perspective view of a lantern showing my new design;  
FIG. 2 is another perspective view thereof;  
FIG. 3 is a front elevational view thereof;  
FIG. 4 is a rear elevational view thereof;  
FIG. 5 is a left side elevational view thereof;  
FIG. 6 is a right side elevational view thereof;  
FIG. 7 is a top plan view thereof;  
FIG. 8 is a bottom plan view thereof; and,  
FIG. 9 is an enlarged view of portion 9 shown in FIG. 1.  
The dash-dash broken lines in the drawings depict portions of the lantern that form no part of the claimed design. The dot-dash broken lines represent boundaries of the enlarged portion and form no part of the claimed design.

**1 Claim, 9 Drawing Sheets**



(56)

**References Cited**

OTHER PUBLICATIONS

Perfume, Christmas Snow Globe Lantern. First available Oct. 20, 2021. Searched May 17, 2022. [<https://www.amazon.com/Christmas-Lantern-Musical-Lanterns-Glittering/dp/B0995T89QT/>] (Year: 2021).\*

Battery Operated Candles, Sugar Plum Fairy Ballerina Musical Lighted White Water Lantern. First available unknown. Searched May 17, 2022. [<https://www.batteryoperatedcandles.net/animated-sugar-plum-fairy-ballerina-musical-lighted-white-water-lantern.html>] (Year: 2022).\*

\* cited by examiner

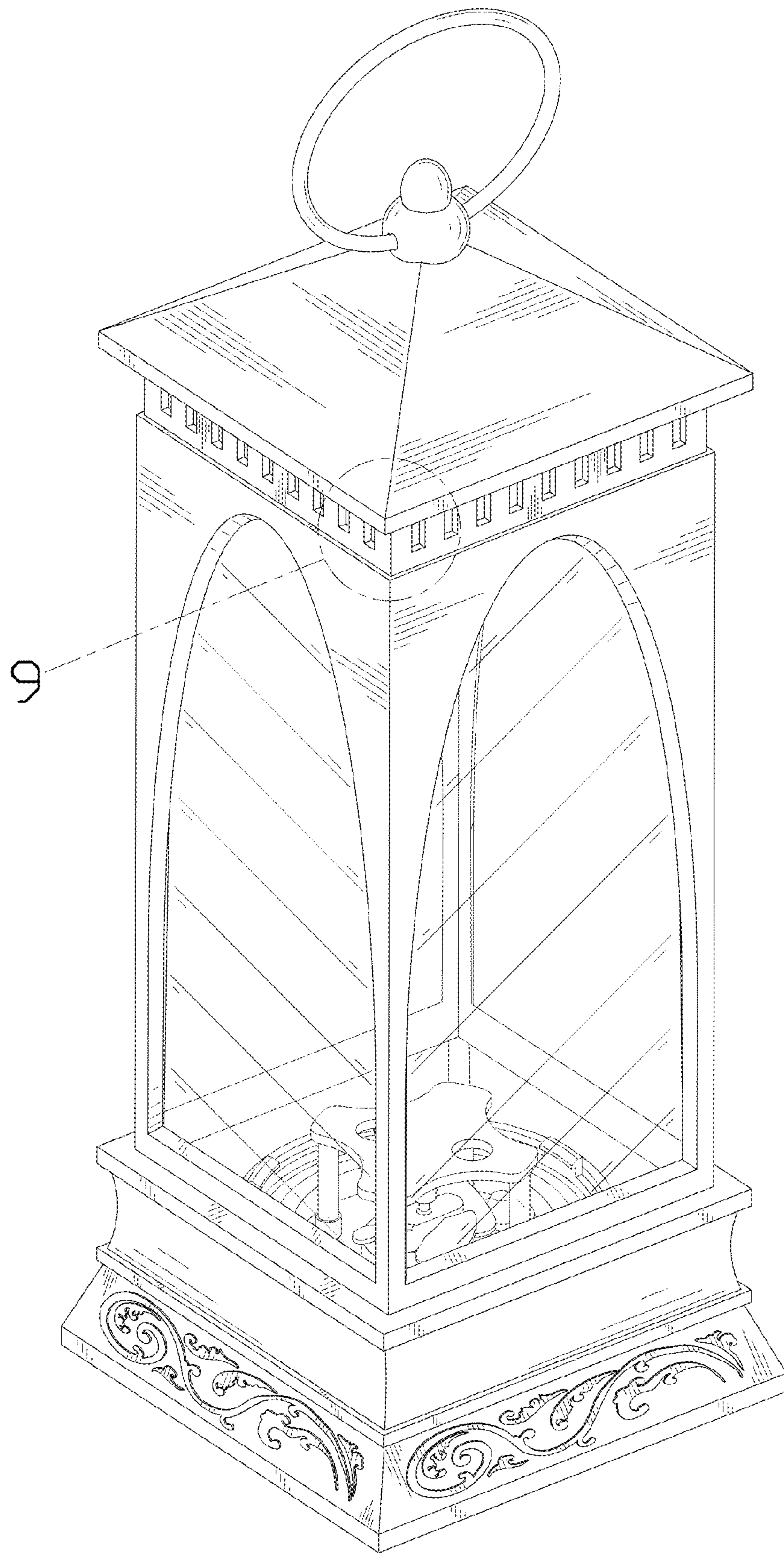


FIG. 1



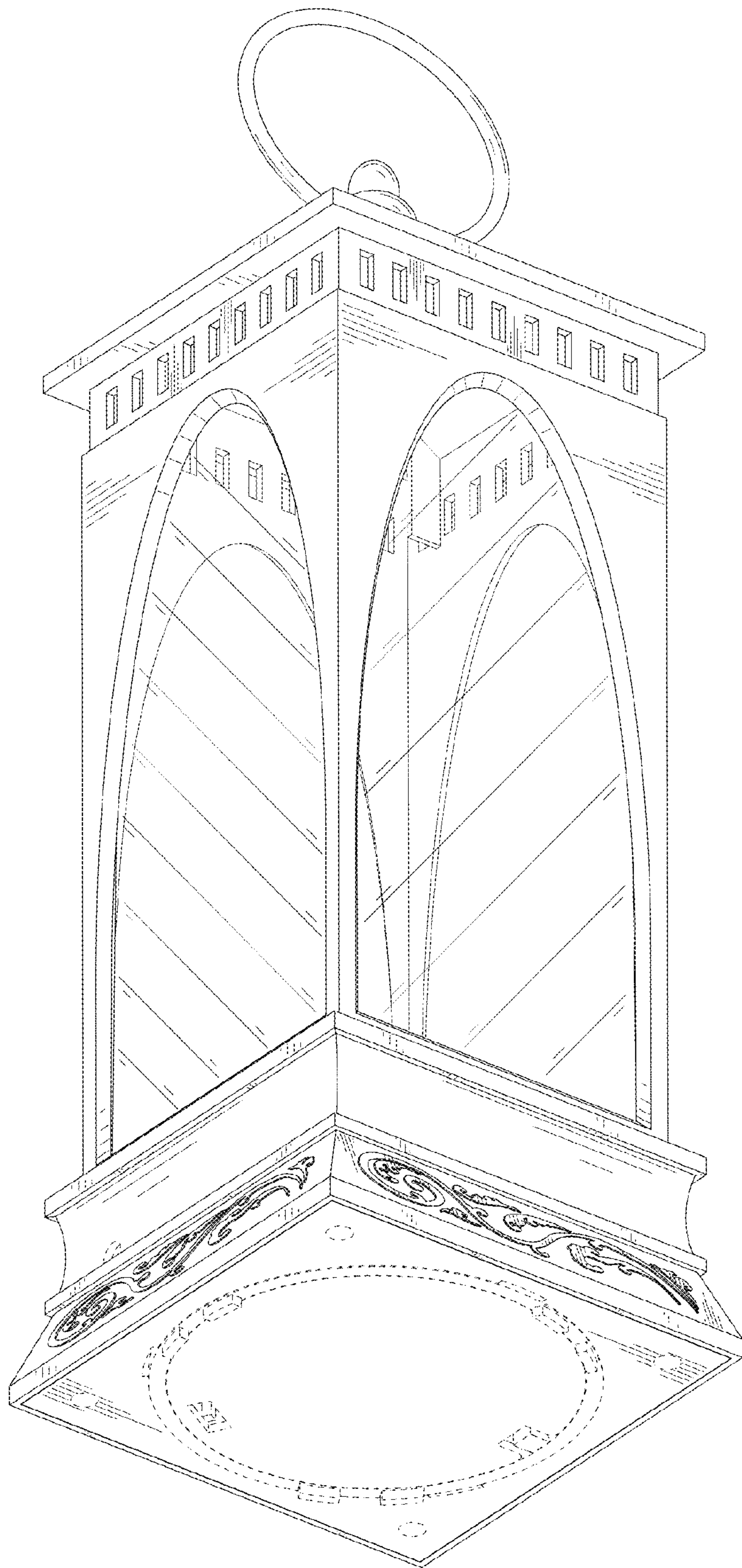


FIG. 2

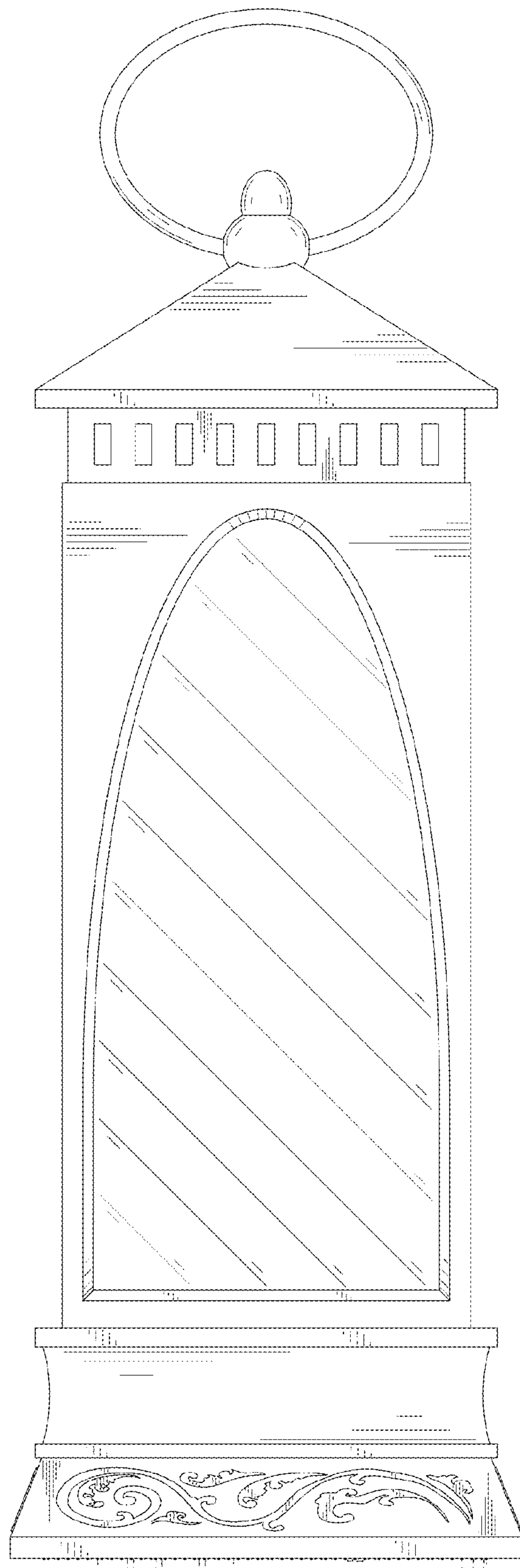


FIG. 3

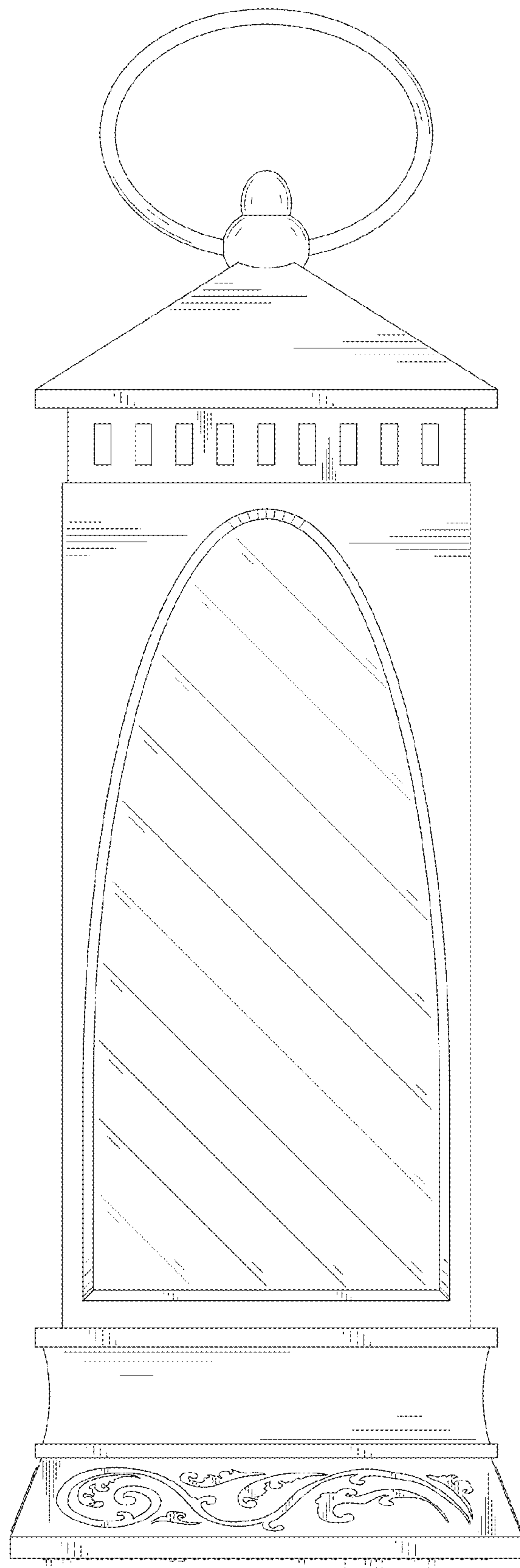


FIG. 4

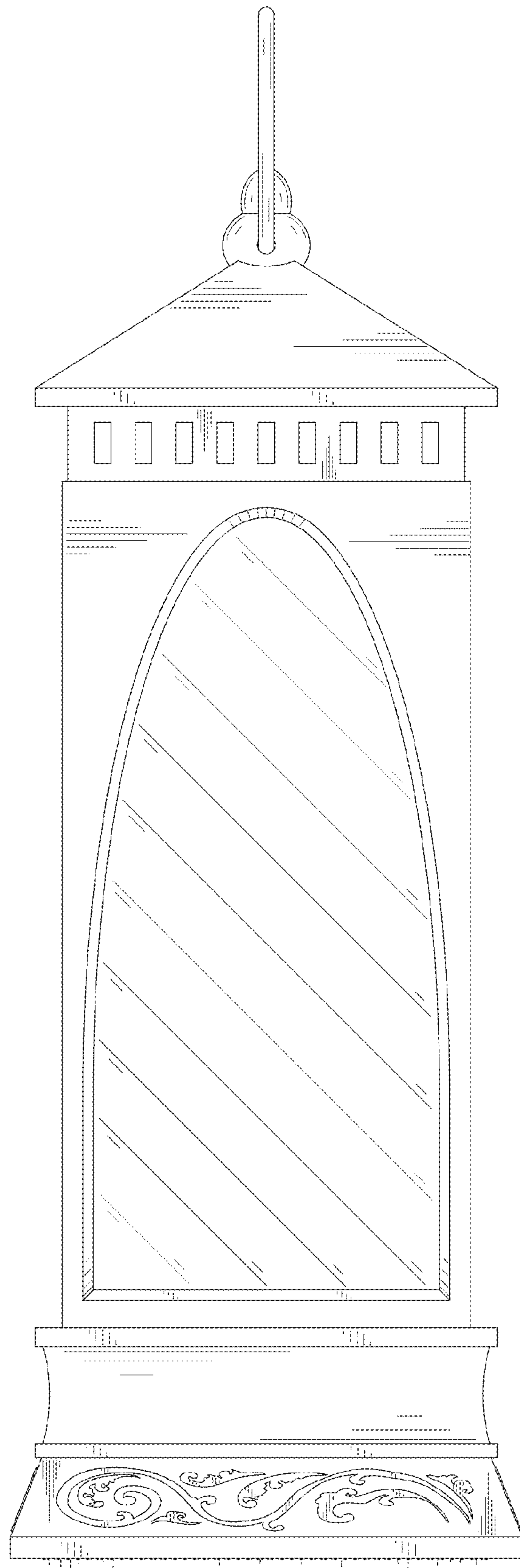


FIG. 5

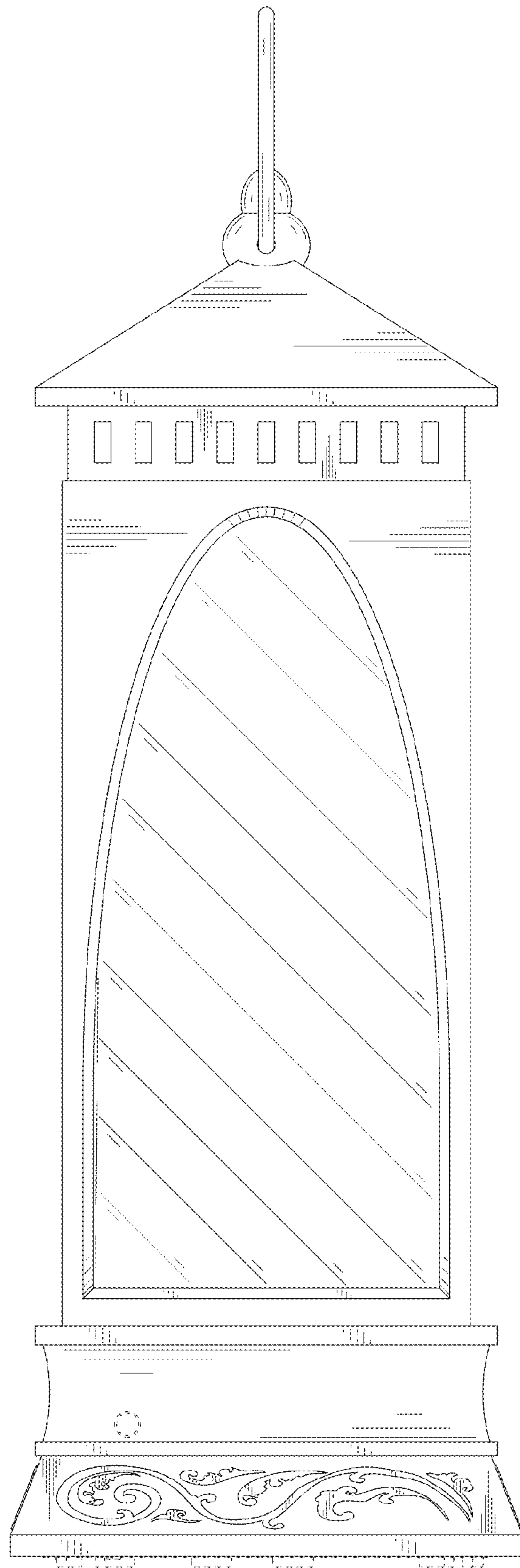


FIG. 6



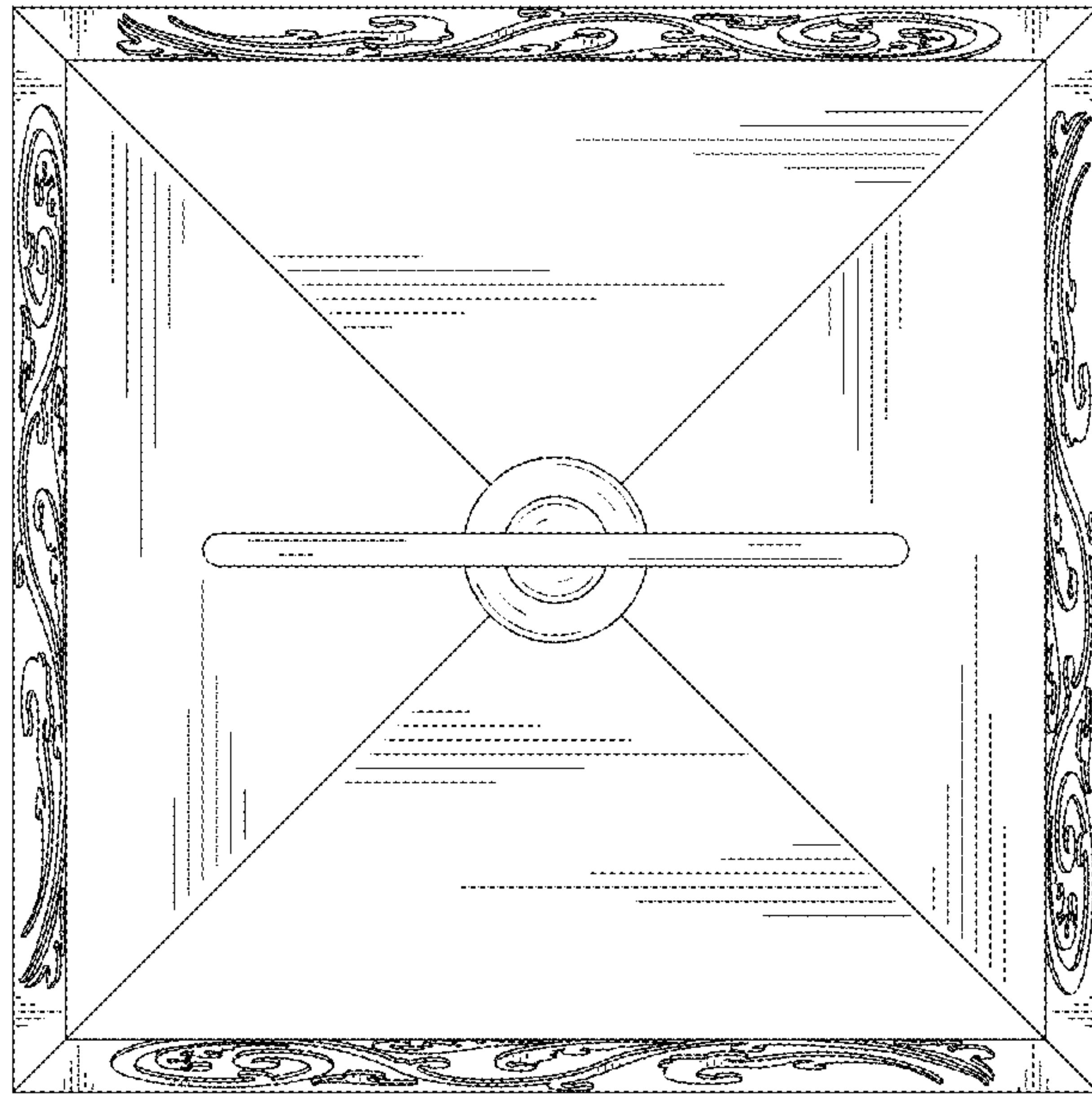


FIG. 7

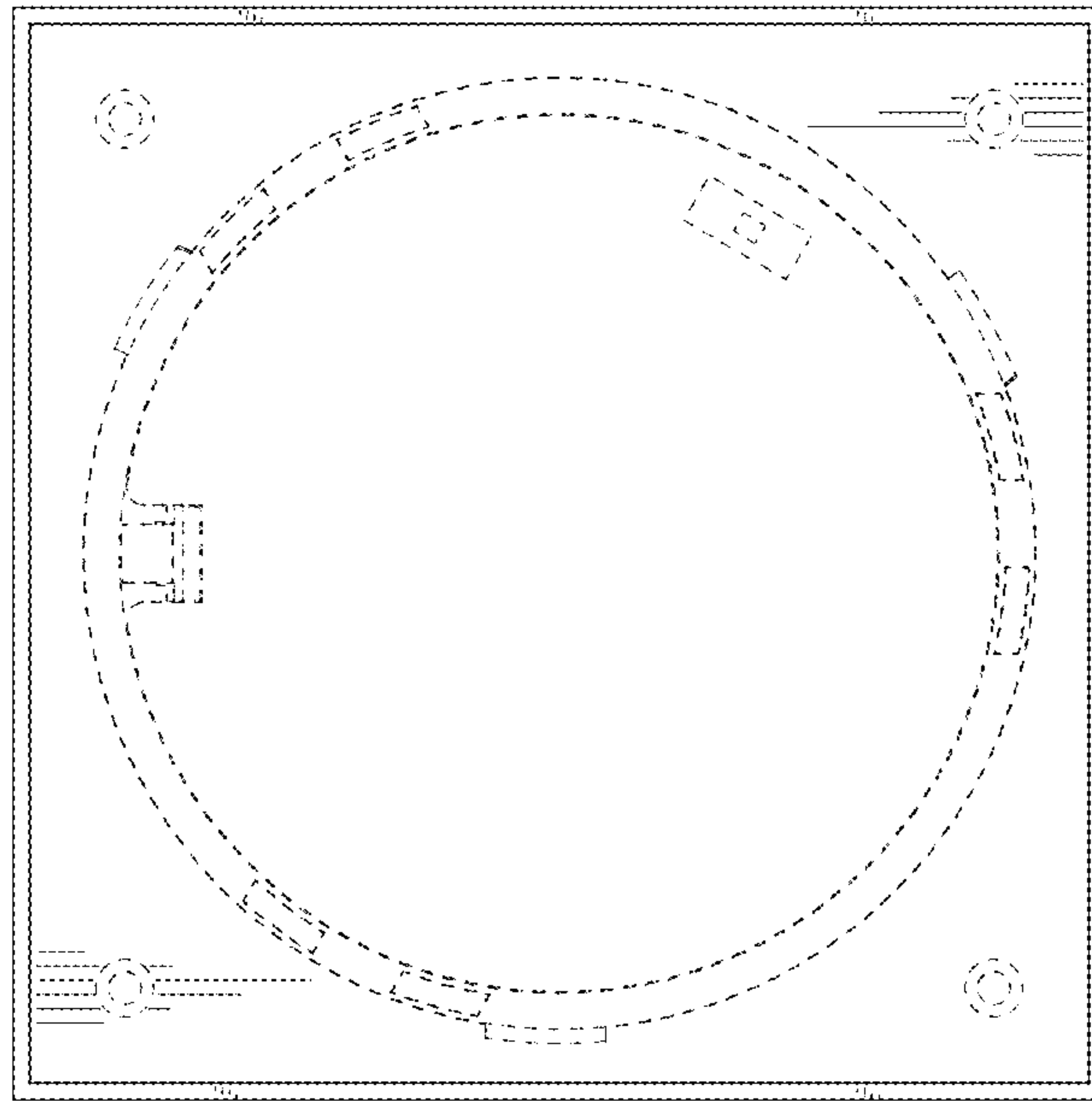


FIG. 8

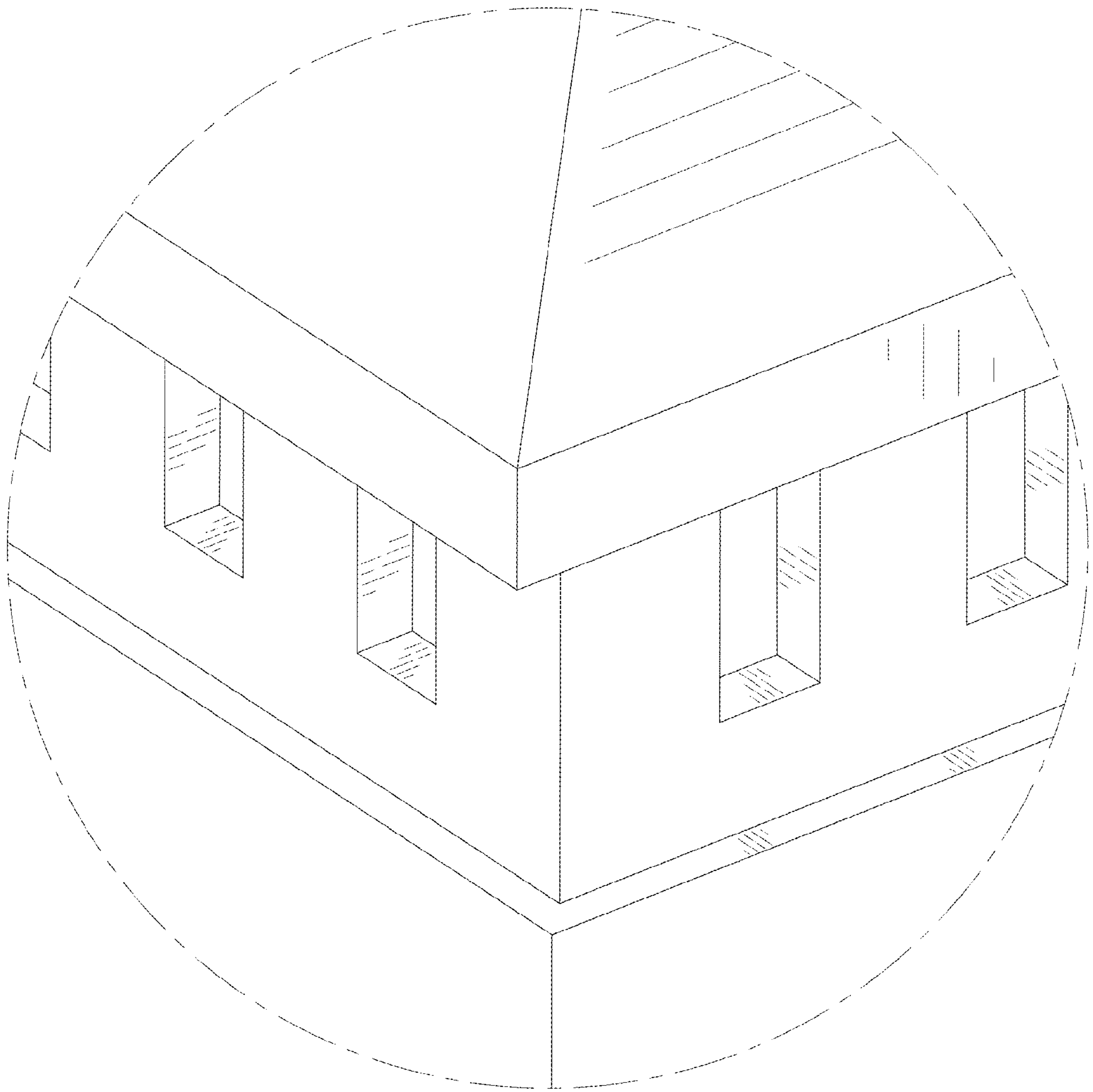


FIG. 9