



US00D957708S

(12) **United States Design Patent** (10) **Patent No.:** **US D957,708 S**
Toledo (45) **Date of Patent:** **** Jul. 12, 2022**

(54) **USB LIGHT TUBE**

(71) Applicant: **Dark Orange Design, Inc.**, Walpole, MA (US)

(72) Inventor: **David Toledo**, Salt Lake City, UT (US)

(73) Assignee: **Dark Orange Design, Inc.**, Walpole, MA (US)

(**) Term: **15 Years**

(21) Appl. No.: **29/687,915**

(22) Filed: **Apr. 17, 2019**

Related U.S. Application Data

(63) Continuation of application No. 29/566,612, filed on Jun. 1, 2016, now Pat. No. Des. 853,001.

(51) **LOC (13) Cl.** **26-02**

(52) **U.S. Cl.**
USPC **D26/38**

(58) **Field of Classification Search**
USPC D26/1, 24-25, 37-52, 113
CPC F21Y 2115/10; F21Y 2103/10; F21Y 2103/00; F21Y 2103/30; F21Y 2103/37; F21Y 2107/30

See application file for complete search history.

(56) **References Cited**

U.S. PATENT DOCUMENTS

D497,442 S 10/2004 Patel
D513,082 S * 12/2005 Hoshikawa D26/1
D541,690 S 5/2007 Schrimmer
D550,869 S 9/2007 Hoshikawa

(Continued)

OTHER PUBLICATIONS

USB 5V LED Strip Lights. By Dephen. Dated Oct. 27, 2020. Found online [Nov. 10, 2021]. amazon.com/Flexible-Backlight-Bedroom-

Cabinet-Lighting/dp/B08LZK1668/ref=sr_1_249?keywords=flexible+light+tube&qid=1636552159&sr=8-249 (Year: 2020).*

(Continued)

Primary Examiner — Marissa J Cash

Assistant Examiner — William B Melliar

(74) *Attorney, Agent, or Firm* — Brooks Kushman P.C.

(57) **CLAIM**

The ornamental design for a USB light tube, as shown and described.

DESCRIPTION

FIG. 1 is a perspective view of a USB light tube showing my new design in an environment of use;

FIG. 2 is a bottom perspective view of the USB light tube shown in an alternate configuration of use with the environment removed for clarity of disclosure;

FIG. 3 is a bottom plan view of the USB light tube thereof;

FIG. 4 is a top plan view of the USB light tube thereof;

FIG. 5 is a left side view of the USB light tube thereof, with the right side view being a mirror image thereof;

FIG. 6 is an elevation view showing a first end of the USB light tube thereof;

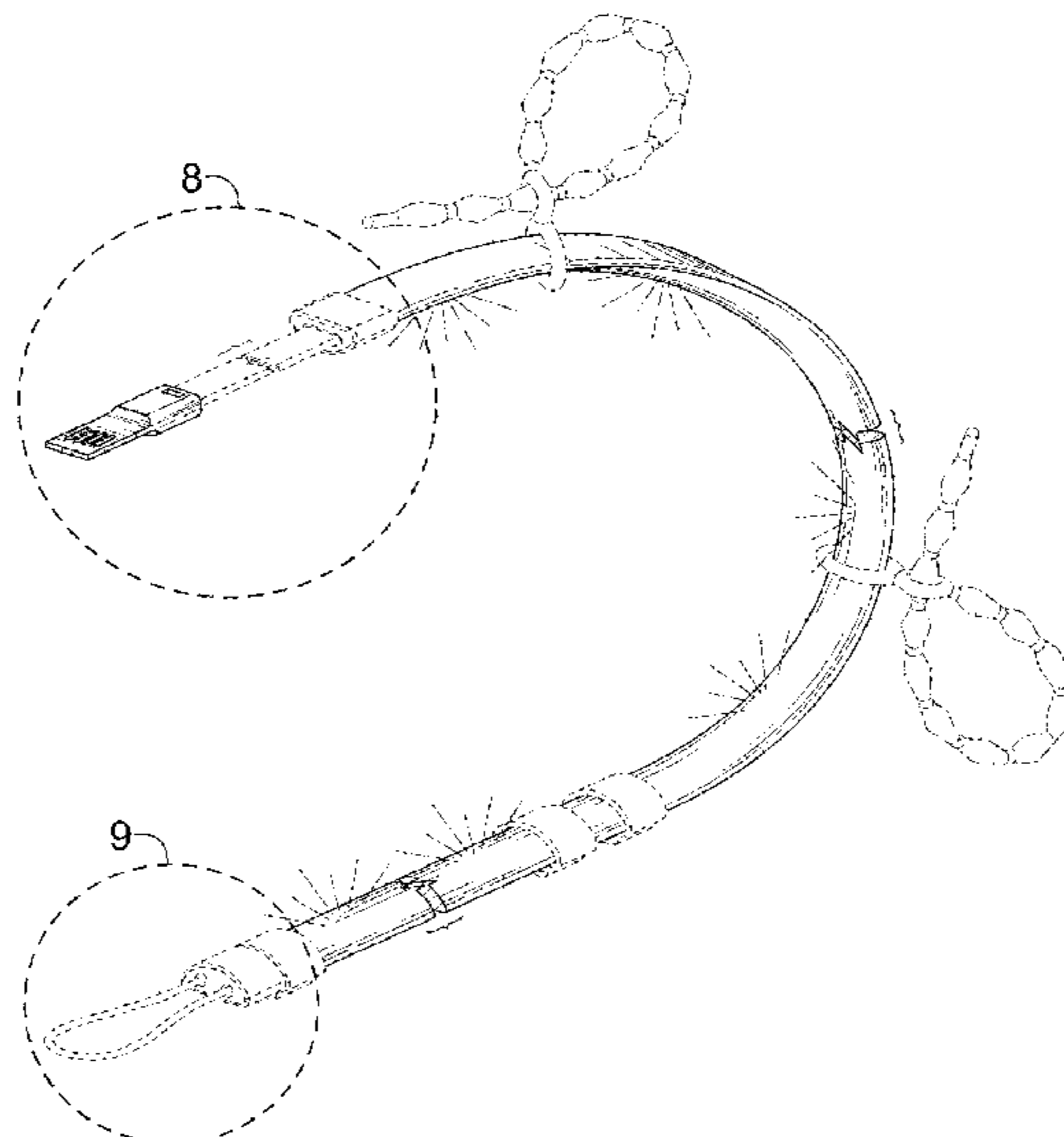
FIG. 7 is an elevation view showing a second end of the USB light tube thereof;

FIG. 8 is a close up perspective view of the first end of the USB light tube thereof; and,

FIG. 9 is a close up perspective view of the second end of the USB light tube thereof.

The USB light tube is shown with symbolic breaks in its length. In the drawings, the evenly spaced broken lines are for purposes of illustrating portions of the USB light tube and form no part of the claimed design; the additional evenly spaced broken lines in FIGS. 1, 8, and 9 are for purposes of annotating the enlarged view only and form no part thereof. The dash-dot-dash broken lines in FIGS. 1-7 illustrate environmental subject matter only and form no part of the claimed design.

1 Claim, 5 Drawing Sheets



(56)

References Cited

U.S. PATENT DOCUMENTS

D590,530 S * 4/2009 Tsai D26/51
 D603,542 S 11/2009 Moss
 D703,857 S * 4/2014 Soni D26/75
 D715,466 S 10/2014 Lei
 D722,717 S 2/2015 Wang
 D726,942 S 4/2015 Kovac
 D732,216 S 6/2015 Widenmann
 9,115,858 B2 * 8/2015 Levante F21V 23/06
 D740,476 S 10/2015 Kushner
 D742,564 S 11/2015 Walterscheid
 D750,824 S 3/2016 Bonang
 D752,262 S 3/2016 Jones
 D764,080 S 8/2016 Enright
 D775,376 S 12/2016 Moreau et al.
 D779,695 S 2/2017 Kimball
 D786,458 S 5/2017 Wang
 D798,473 S 9/2017 Huang
 9,770,367 B2 9/2017 Andersen et al.
 D803,428 S * 11/2017 Kirschner D26/24
 D804,070 S 11/2017 Mishan
 D810,328 S 2/2018 Chen
 D810,978 S 2/2018 Windom
 D828,587 S * 9/2018 Kelly D26/25
 D853,001 S * 7/2019 Toledo D26/38
 D861,939 S * 10/2019 Toledo D26/38
 D872,911 S * 1/2020 Chen D26/24

D884,931 S * 5/2020 Yang D26/24
 D887,604 S * 6/2020 Toledo D26/51
 D892,373 S * 8/2020 Toledo D26/38
 D893,767 S * 8/2020 Hui D26/25
 2002/0122316 A1 9/2002 Hsieh
 2006/0262531 A1 11/2006 Schrimmer et al.
 2007/0081324 A1 4/2007 Schrimmer

OTHER PUBLICATIONS

DS PC LED Flexible Light Strip. By LEDdess. Dated Nov. 14, 2017. Found online [Nov. 10, 2021]. https://www.amazon.com/LEDdess-Flexible-Computer-Lighting-Magnetic/dp/B077FTS61W/ref=sr_1_266?keywords=flexible+light+tube&qid=1636552308&sr=8-266 (Year: 2017).*

Luminoodle Portable USB LED Rope, Published Apr. 26, 2016, [online], [site visited Jun. 21, 2016]. Available from Internet, 1 page (Year: 2016).

Notice of Allowance from USPTO regarding U.S. Appl. No. 29/687,922, dated Jun. 11, 2020, 7 pages.

U.S. Appl. No. 29/687,922, Non-Final Office Action dated Nov. 18, 2019, 5 pages.

Flexible half round moulding, Date first available Mar. 7, 2012, [online], [site visited Nov. 12, 2019]. Available from Internet, <URL:<https://www.amazon.com/Flexible-Moulding-Half-Round-WM120-1-Length/dp/B00B3YTLHU>>, 6 pages (Year: 2012).

* cited by examiner

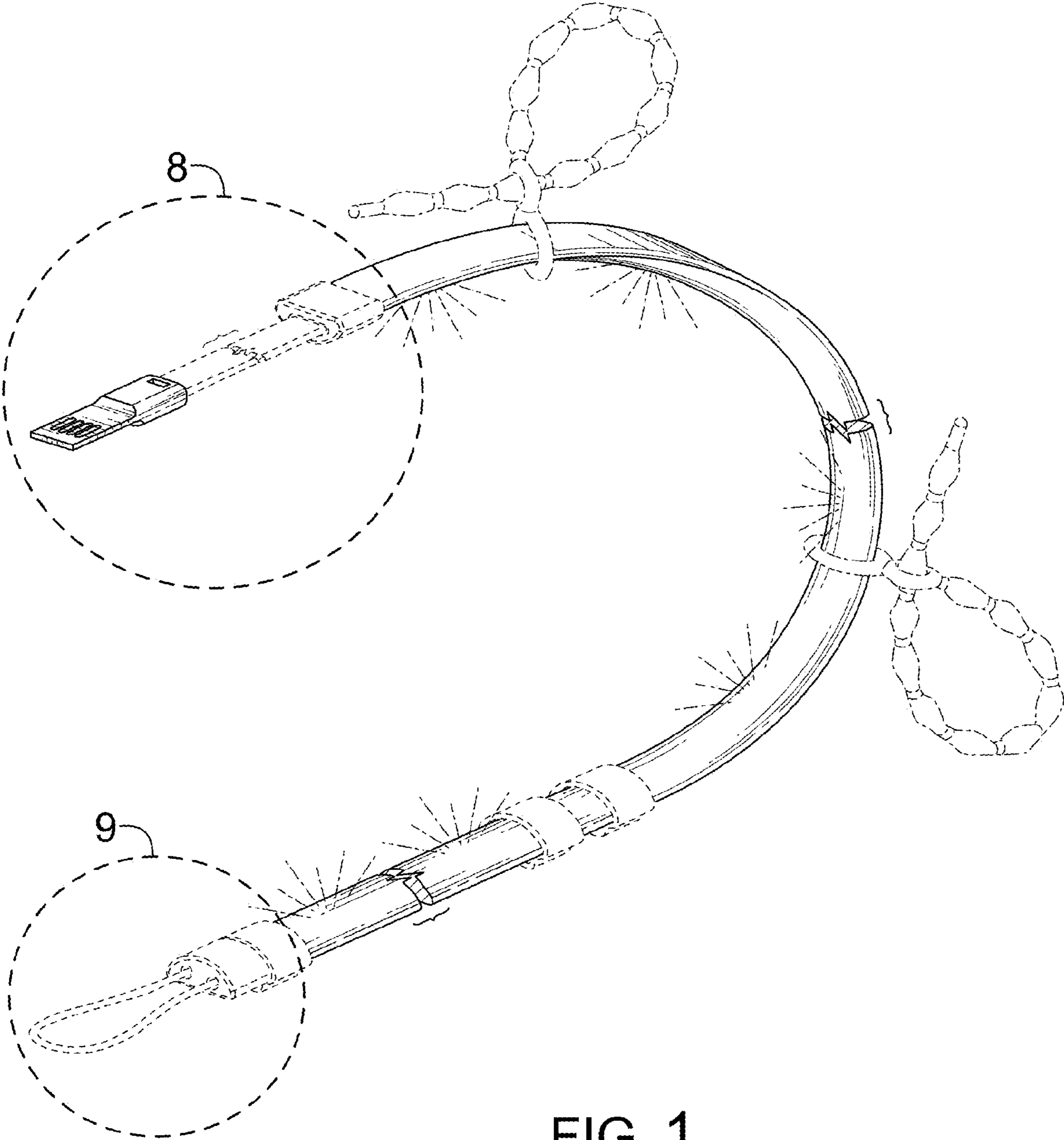


FIG. 1

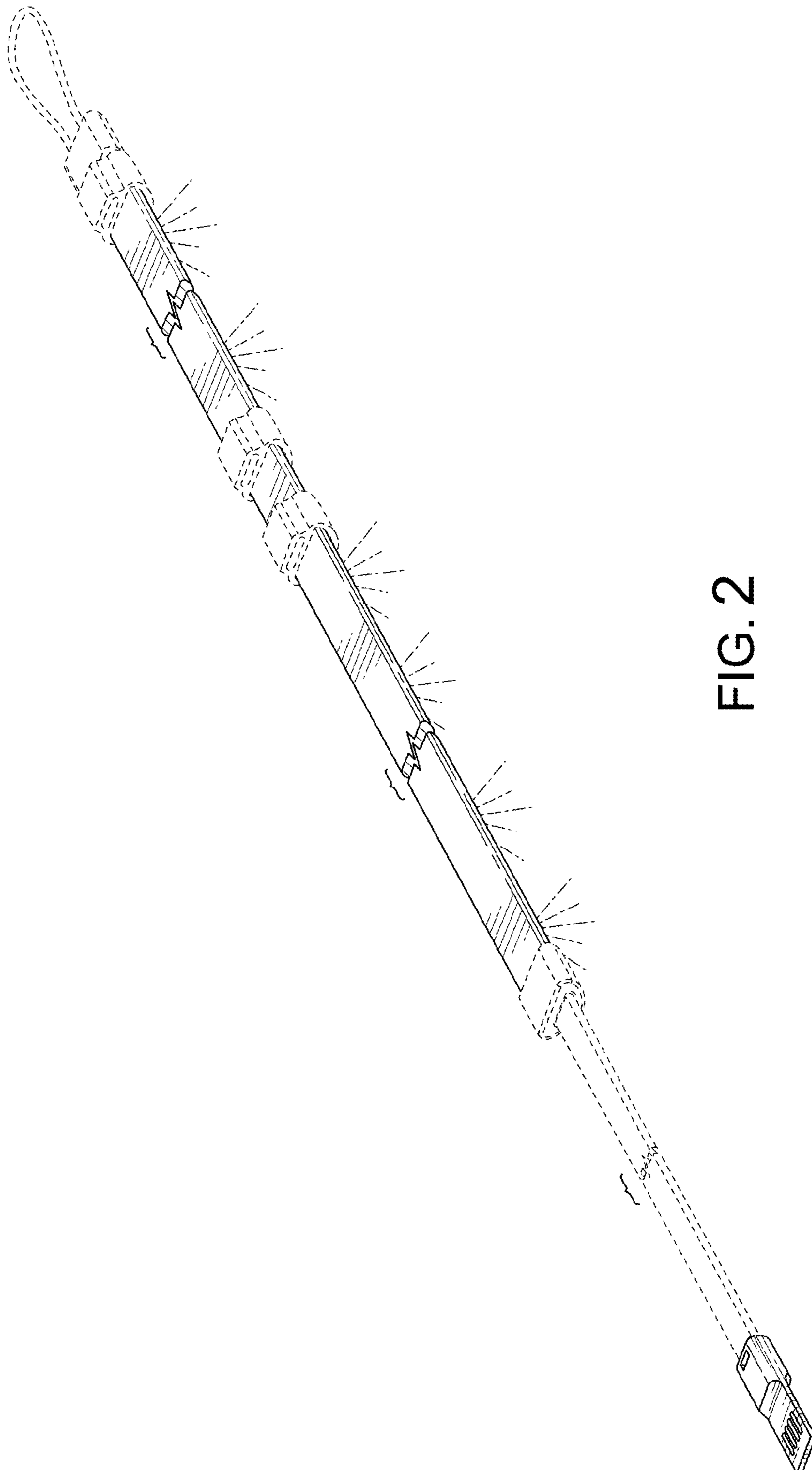


FIG. 2

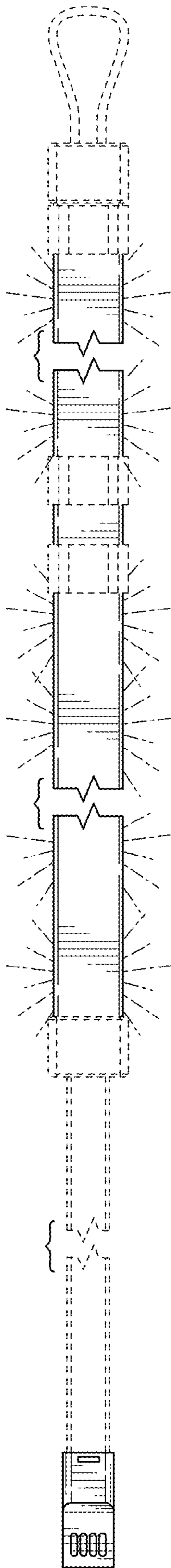


FIG. 3

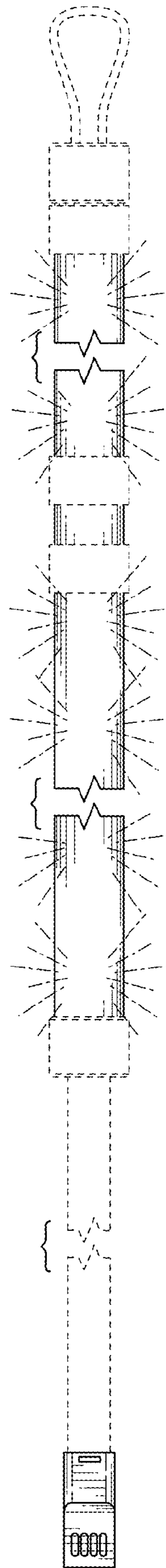


FIG. 4

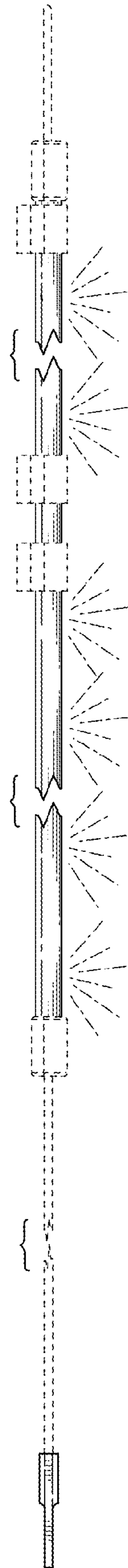


FIG. 5

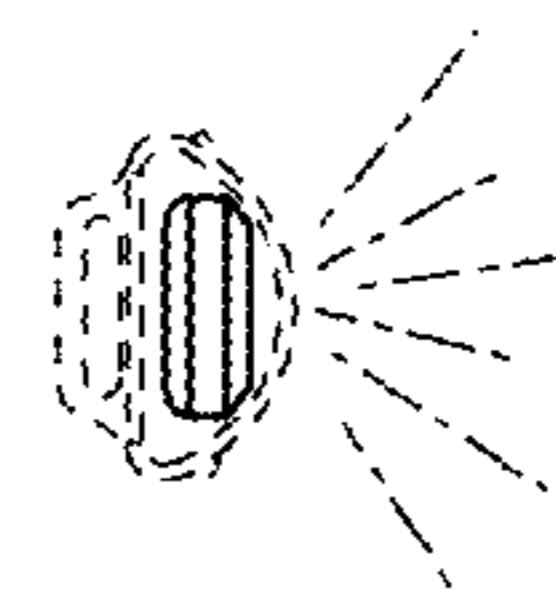


FIG. 6

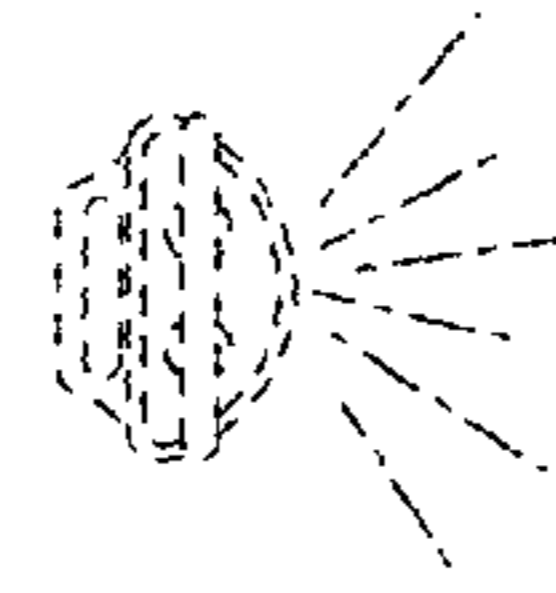


FIG. 7

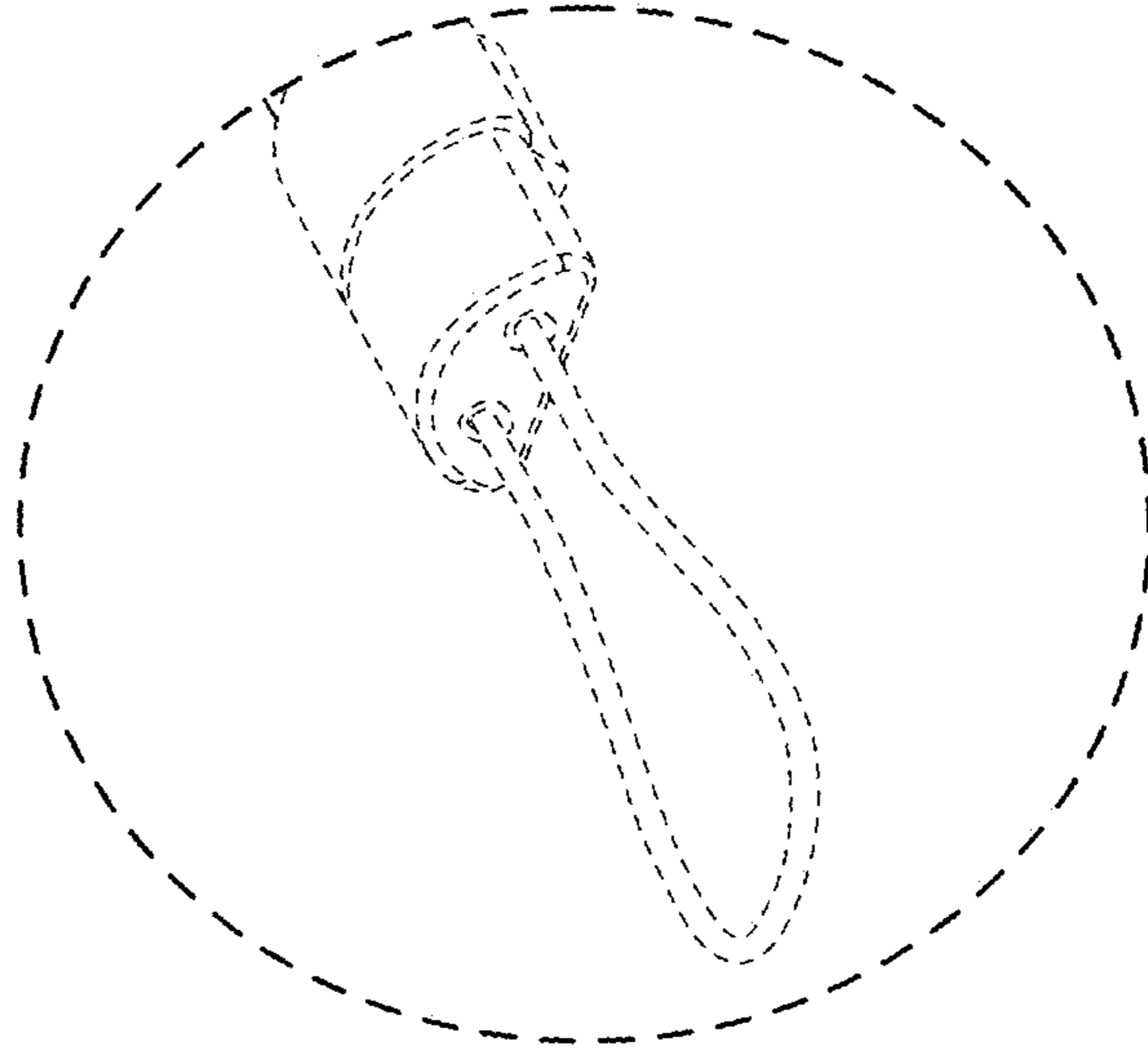


FIG. 9

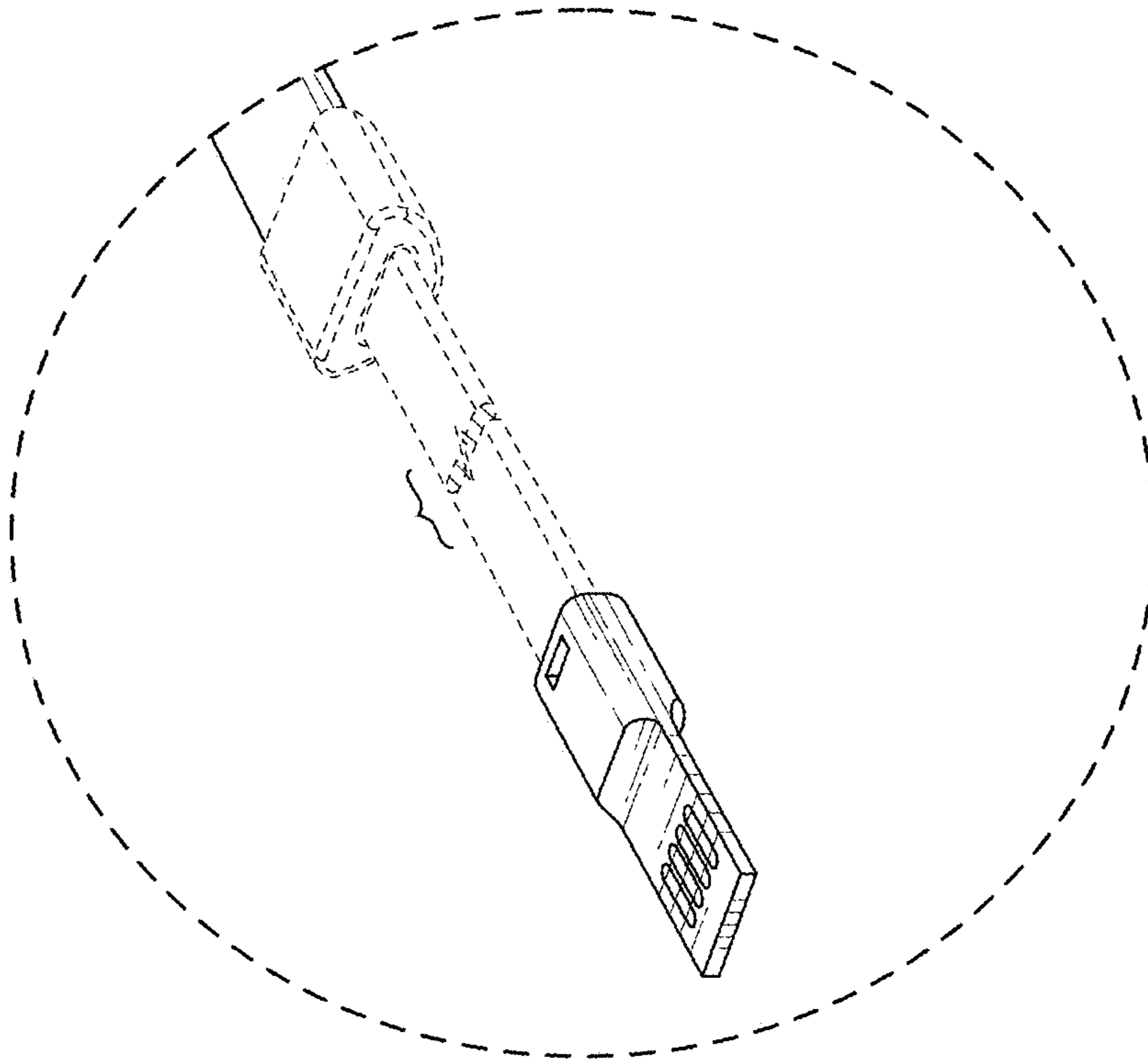


FIG. 8