



US00D957707S

(12) **United States Design Patent**  
**Huang**

(10) **Patent No.:** **US D957,707 S**

(45) **Date of Patent:** **\*\* Jul. 12, 2022**

(54) **VEHICLE LAMP**

(71) Applicant: **Huoming Huang**, Jiujiang (CN)

(72) Inventor: **Huoming Huang**, Jiujiang (CN)

(\*\*) Term: **15 Years**

(21) Appl. No.: **29/809,569**

(22) Filed: **Sep. 29, 2021**

(51) **LOC (13) Cl.** ..... **26-06**

(52) **U.S. Cl.**  
USPC ..... **D26/31**

(58) **Field of Classification Search**

USPC ..... D26/28, 36, 139  
CPC ..... F21S 48/00; F21S 48/10; F21S 48/115;  
F21S 48/225; F21S 48/1233; F21S  
48/1266; F21S 48/1388; F21S 48/2268;  
F21V 5/00; F21V 21/04; F21V 29/004;  
B60Q 9/13; B60Q 9/135; B60Q 9/1375;  
F21W 2102/17; F21W 2103/00; F21W  
2103/35; F21W 2103/55; F21W 2107/13;  
F21W 2107/17

See application file for complete search history.

(56) **References Cited**

**U.S. PATENT DOCUMENTS**

D418,930 S \* 1/2000 De Leon ..... D26/31  
D422,524 S \* 4/2000 Tam ..... D26/31

D427,344 S \* 6/2000 Ruminski ..... D10/115  
D453,385 S \* 2/2002 Krzesowiak ..... D26/31  
D527,475 S \* 8/2006 Hall ..... D26/31  
D796,095 S 8/2017 Huang  
D864,442 S 10/2019 Tsai

\* cited by examiner

*Primary Examiner* — Marcus A Jackson

(57) **CLAIM**

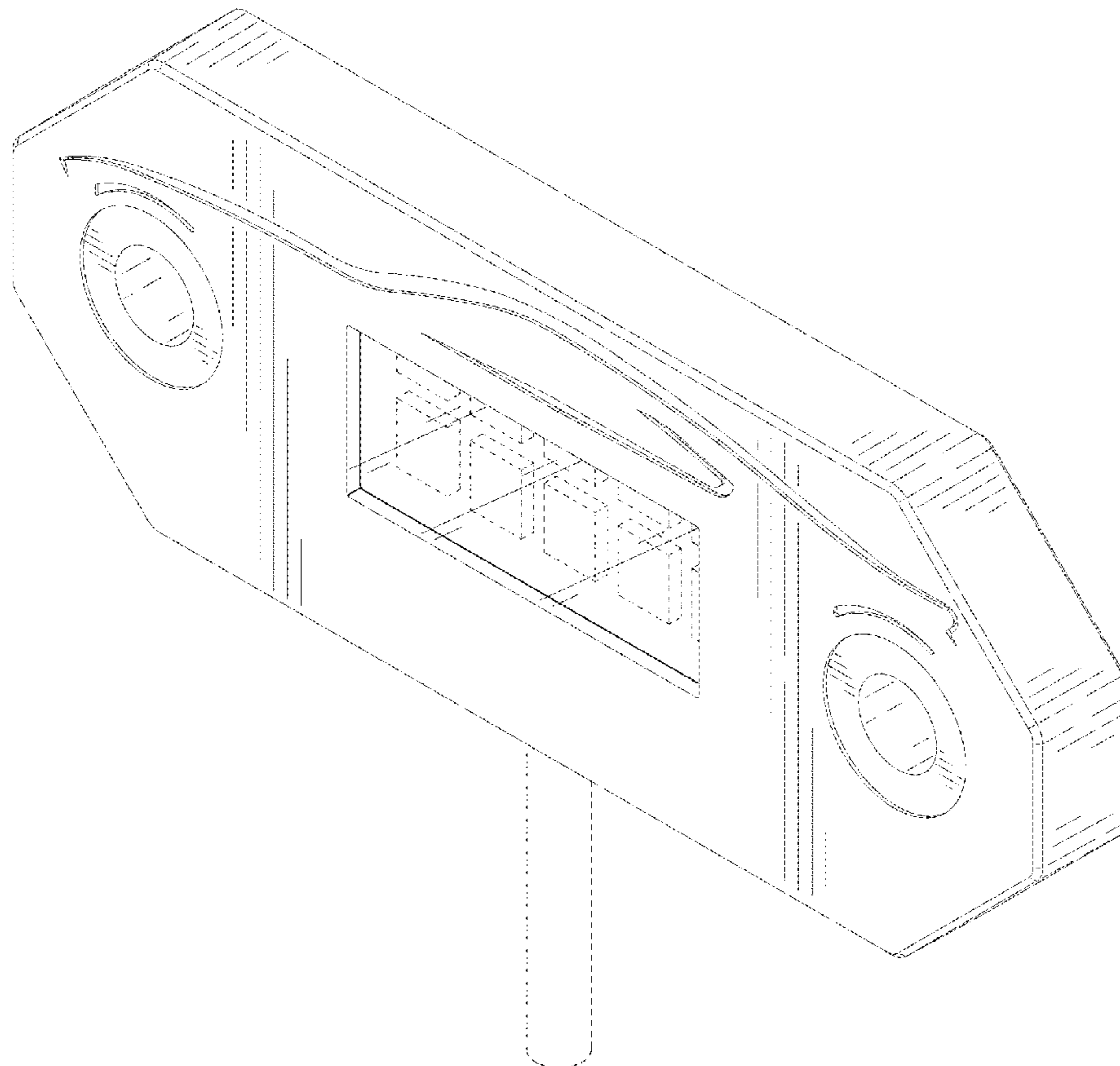
The ornamental design for a vehicle lamp, as shown and described.

**DESCRIPTION**

FIG. 1 is a perspective view of a vehicle lamp showing my new design;  
FIG. 2 is another perspective view thereof;  
FIG. 3 is a front elevational view thereof  
FIG. 4 is a rear elevational view thereof;  
FIG. 5 is a left side elevational view thereof;  
FIG. 6 is a right side elevational view thereof;  
FIG. 7 is a top plan view thereof; and,  
FIG. 8 is a bottom plan view thereof.

The broken lines in the drawings depict portions of the vehicle lamp that form no part of the claimed design.

**1 Claim, 8 Drawing Sheets**



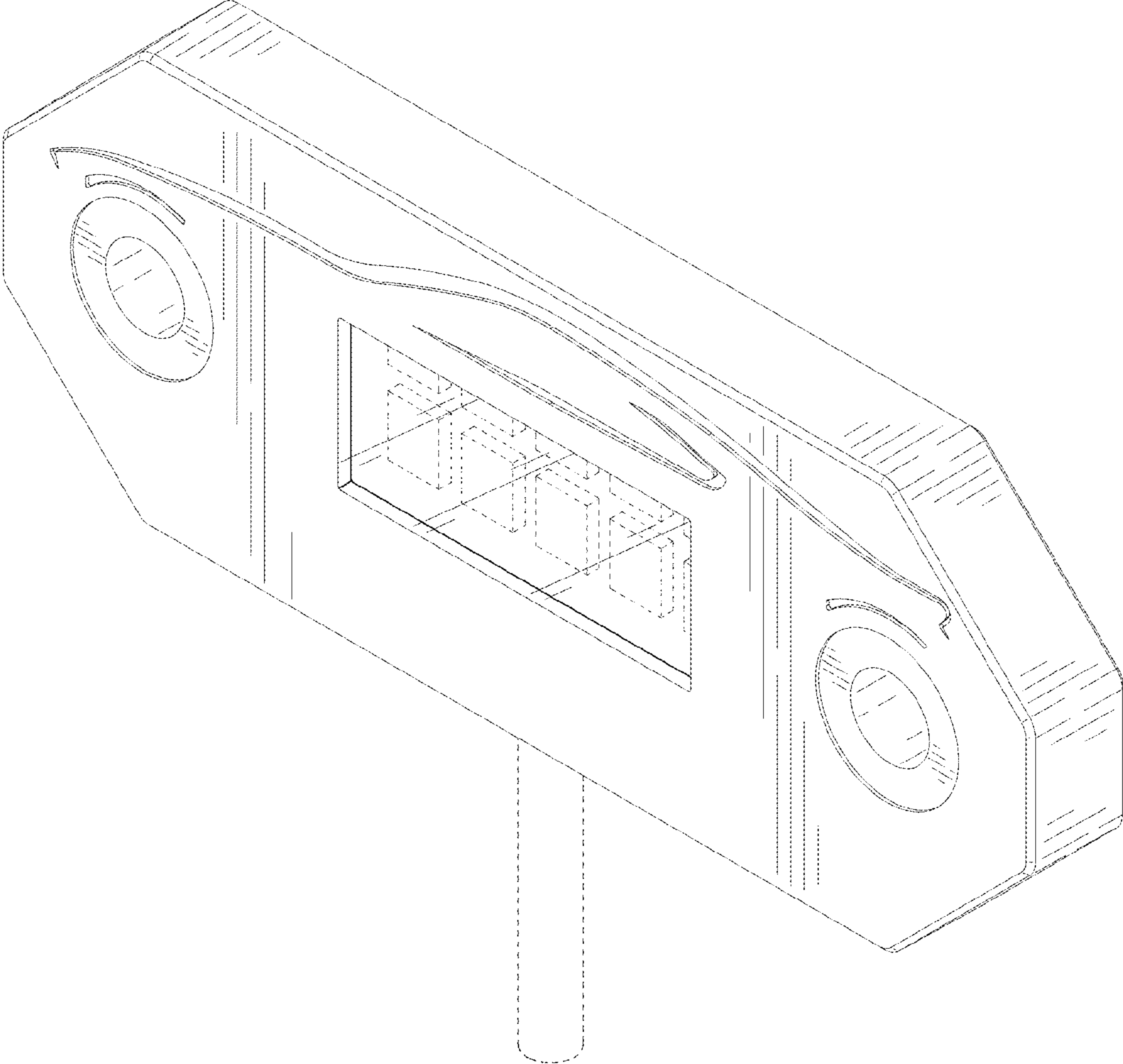


FIG. 1

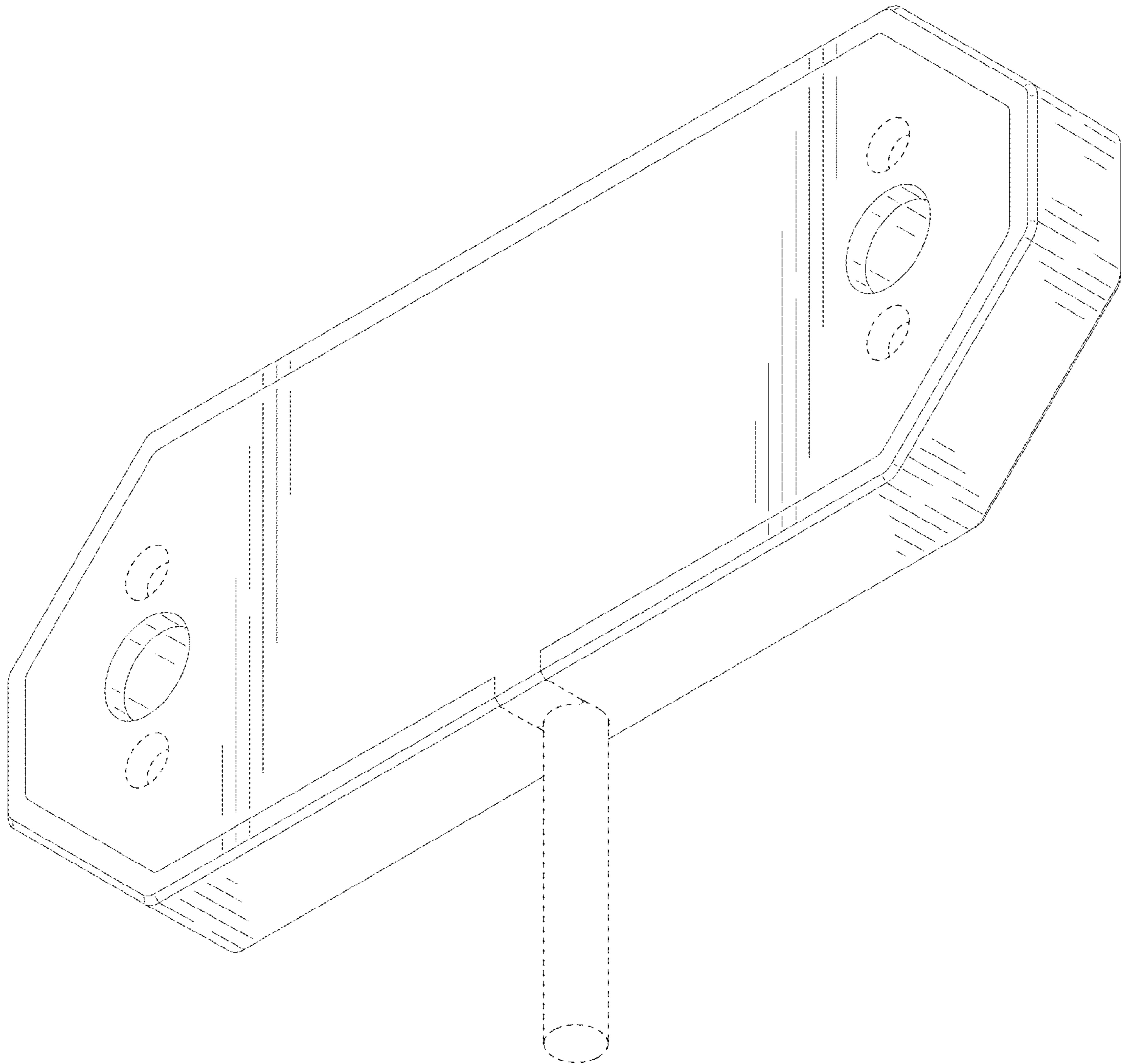


FIG. 2

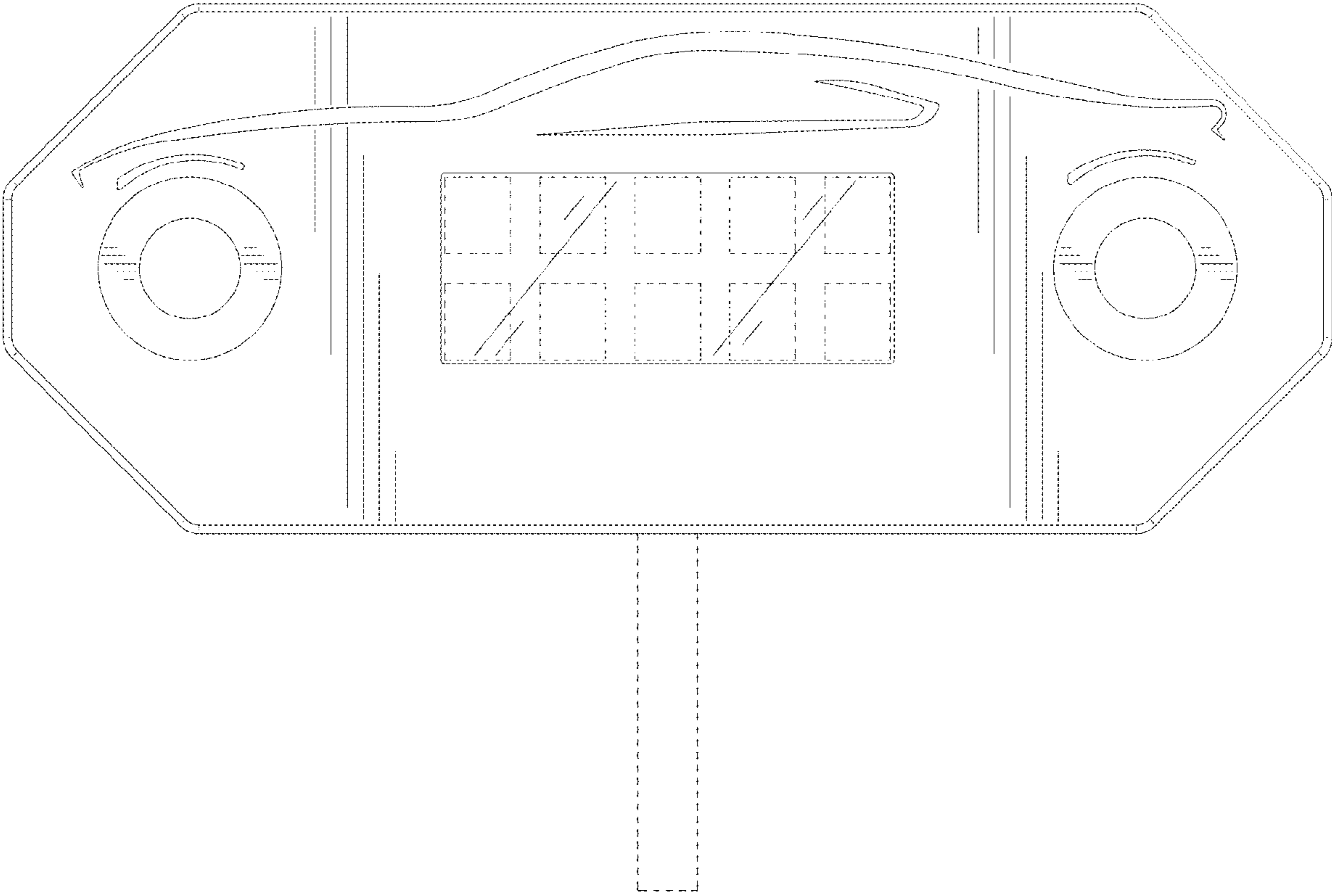


FIG. 3

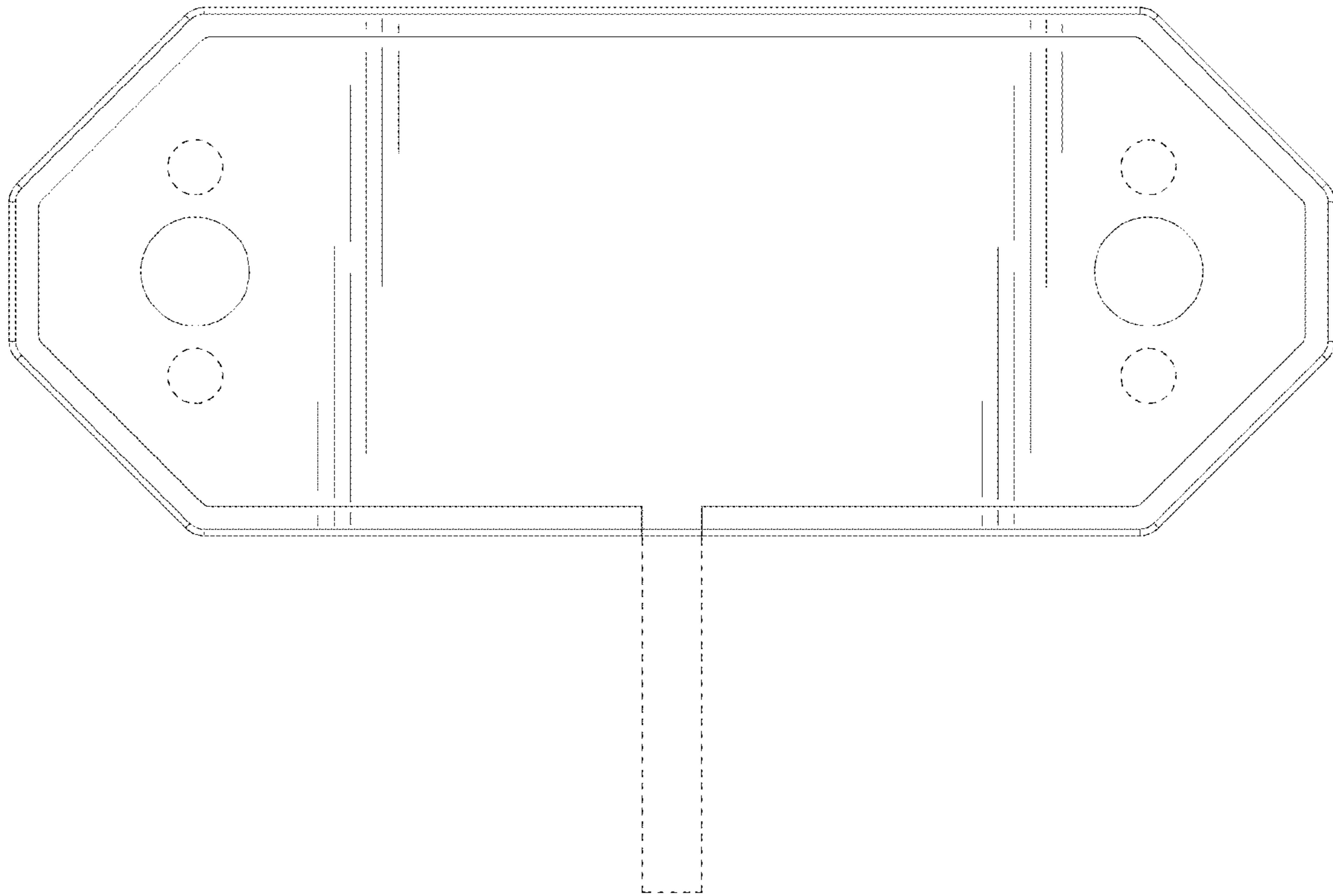


FIG. 4

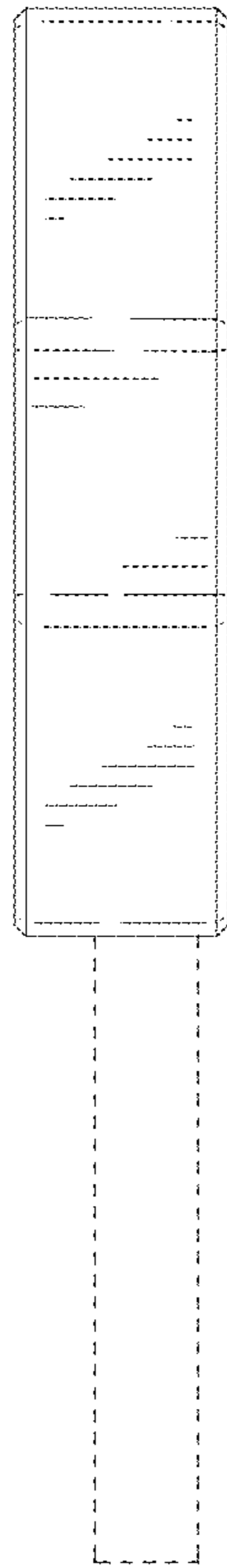


FIG. 5

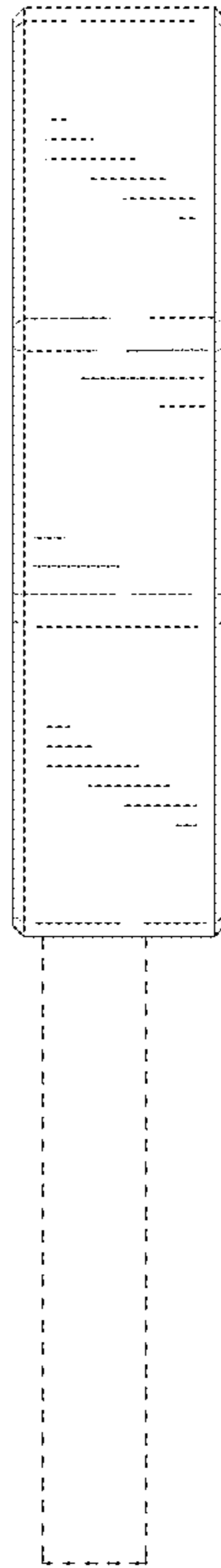


FIG. 6

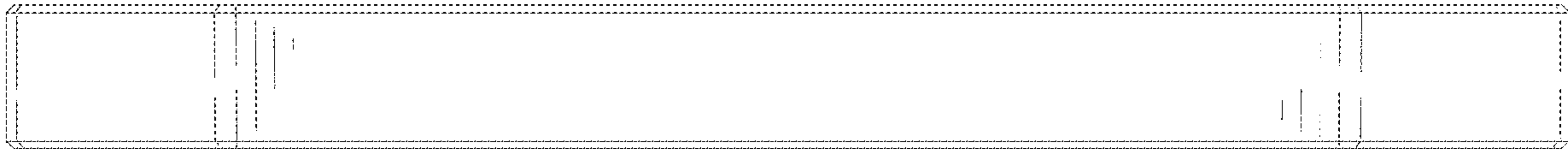


FIG. 7



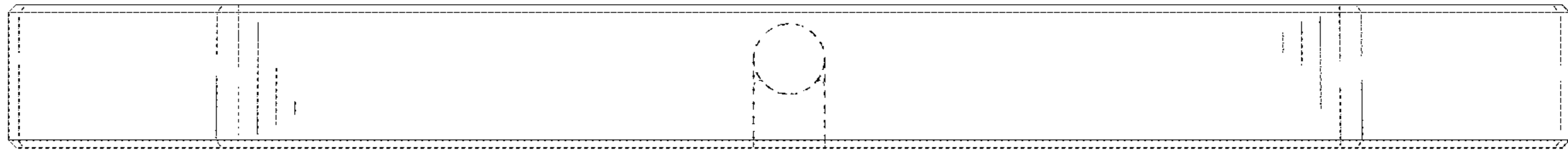


FIG. 8