



US00D957705S

(12) **United States Design Patent**
Jung et al.

(10) **Patent No.:** **US D957,705 S**
(45) **Date of Patent:** **** Jul. 12, 2022**

(54) **REAR COMBINATION LAMP FOR AUTOMOBILES**

(71) Applicants: **HYUNDAI MOTOR COMPANY**,
Seoul (KR); **KIA MOTORS CORPORATION**, Seoul (KR)

(72) Inventors: **Woo-Joo Jung**, Anyang-si (KR);
Ji-Heon Lee, Anyang-si (KR)

(**) Term: **15 Years**

(21) Appl. No.: **35/508,506**

(22) Filed: **May 15, 2019**

(80) **Hague Agreement Data**

Int. Filing Date: **May 15, 2019**

Int. Reg. No.: **DM/205544**

Int. Reg. Date: **May 15, 2019**

Int. Reg. Pub. Date: **Feb. 7, 2020**

(51) **LOC (13) Cl.** **26-06**

(52) **U.S. Cl.**
USPC **D26/28**

(58) **Field of Classification Search**

USPC D26/28, 29, 35, 36

CPC B60Q 1/30; B60Q 1/2607; B60Q 1/2619;
B60Q 1/2696; F21S 41/00; F21S 41/20;
F21S 41/30; F21S 43/14; F21S 43/15;
F21S 43/20

See application file for complete search history.

(56) **References Cited**

U.S. PATENT DOCUMENTS

| | | | | | |
|------------|---|---------|-------------|-------|--------|
| D528,685 S | * | 9/2006 | Yoshida | | D26/28 |
| D531,330 S | * | 10/2006 | Takabatake | | D26/28 |
| D713,572 S | * | 9/2014 | Campbell | | D26/28 |
| D765,895 S | * | 9/2016 | Haeussinger | | D26/28 |
| D769,483 S | * | 10/2016 | Morikawa | | D26/28 |
| D812,273 S | * | 3/2018 | Wu | | D26/28 |
| D858,824 S | * | 9/2019 | Pinazzo | | D26/28 |
| D863,631 S | * | 10/2019 | Flores | | D26/28 |

| | | | | | |
|------------|---|---------|--------------|-------|--------|
| D869,021 S | * | 12/2019 | Allmendinger | | D26/28 |
| D880,738 S | * | 4/2020 | Thiebaud | | D26/28 |
| D894,446 S | * | 8/2020 | Allmendinger | | D26/28 |
| D895,867 S | * | 9/2020 | Jeong | | D26/28 |
| D919,138 S | * | 5/2021 | Loisch | | D26/28 |
| D919,847 S | * | 5/2021 | Piaskowski | | D26/28 |

(Continued)

FOREIGN PATENT DOCUMENTS

WO D205544-001 * 2/2020

OTHER PUBLICATIONS

LED Tail Lights OEM Rear Lamp For Hyundai Santa fe Sports 2019+ (available online) Relieved from the internet Jan. 19, 2021 from URL: <https://www.ebayshopkorea.com/main/view?itemID=283316076268>.*

Primary Examiner — Richard Kearney

(57) **CLAIM**

The ornamental design for a rear combination lamp for automobiles, as shown and described.

DESCRIPTION

1. Rear combination lamp for automobiles

1.1 : Perspective

1.2 : Front

1.3 : Back

1.4 : Left

1.5 : Right

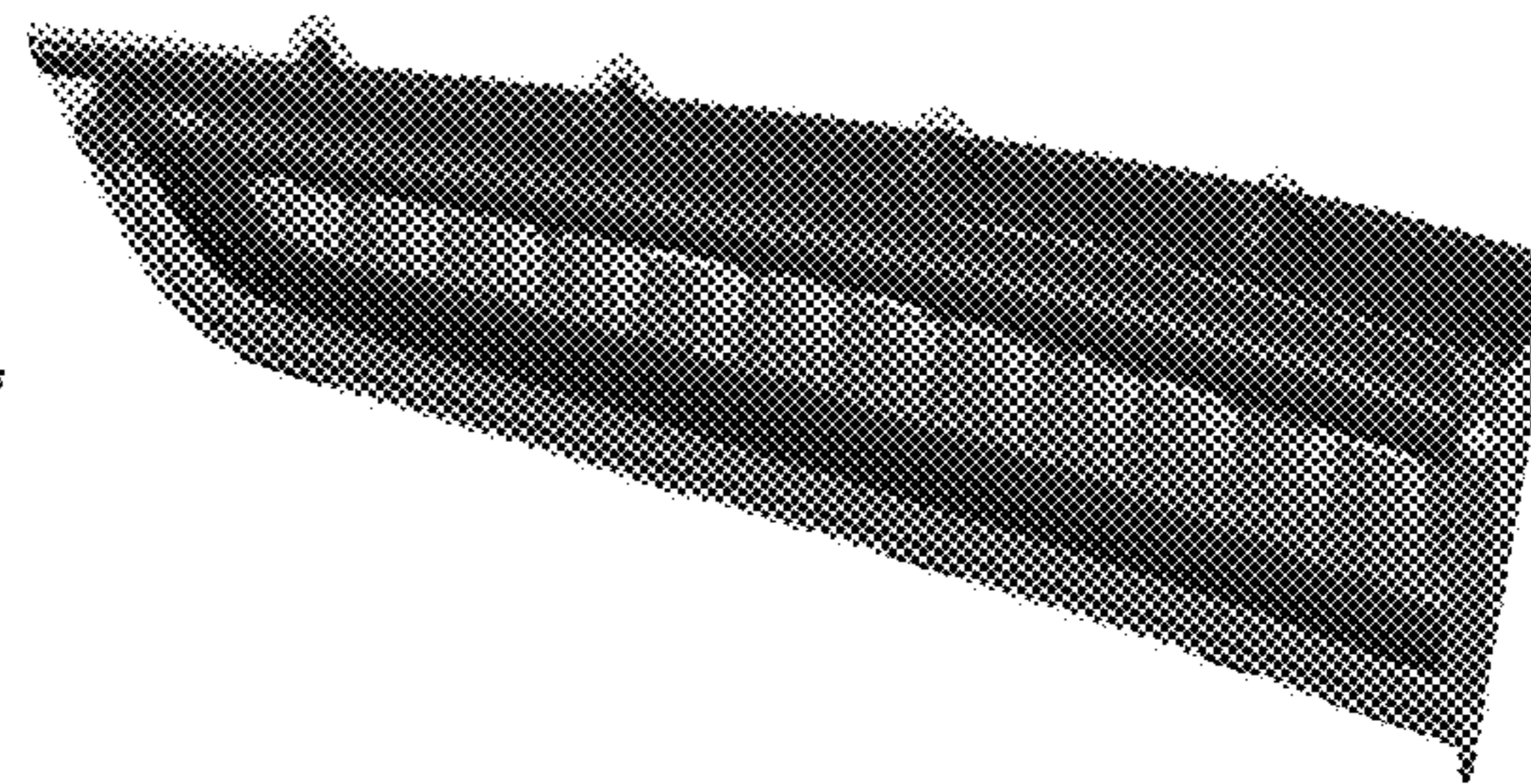
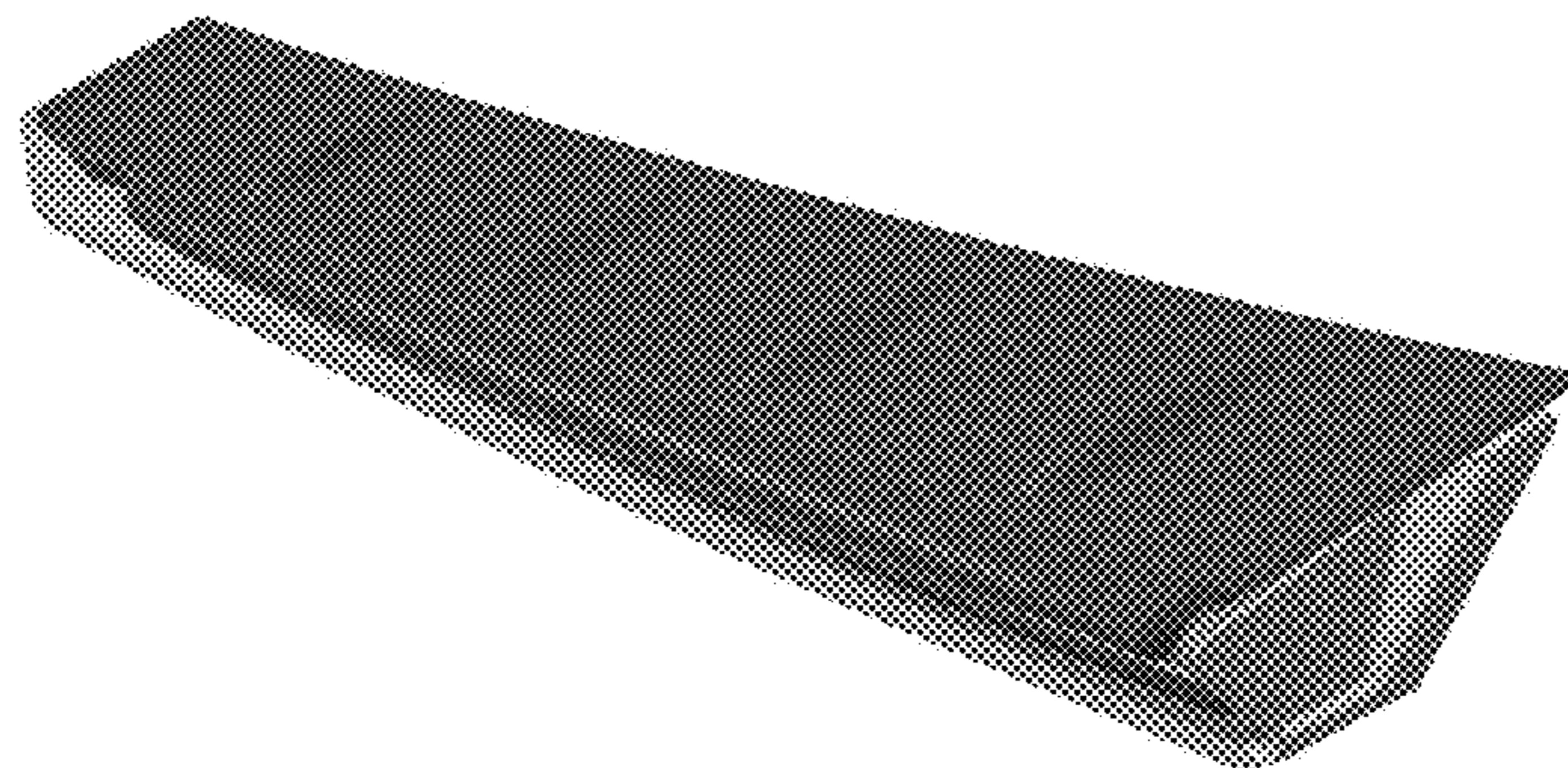
1.6 : Top

1.7 : Bottom

1.1 is a perspective view of a Rear combination lamp for automobiles showing our new design; 1.2 is a front elevation view thereof; 1.3 is a rear elevation view thereof; 1.4 is a left side elevation view thereof; 1.5 is a right side elevation view thereof; 1.6 is a top plan view thereof; and 1.7 is a bottom plan view thereof.

The broken lines and features of the article within the broken lines seen in Figure 1.2 form no part of the claimed design.

1 Claim, 7 Drawing Sheets



(56)

References Cited

U.S. PATENT DOCUMENTS

| | | | | |
|------------|---|---------|----------------|--------|
| D925,790 S | * | 7/2021 | Jobling | D26/28 |
| D926,340 S | * | 7/2021 | Matsuoka | D26/28 |
| D934,470 S | * | 10/2021 | Chan | D26/28 |
| D939,740 S | * | 12/2021 | Jobling | D26/28 |

* cited by examiner

FIG. 1.1

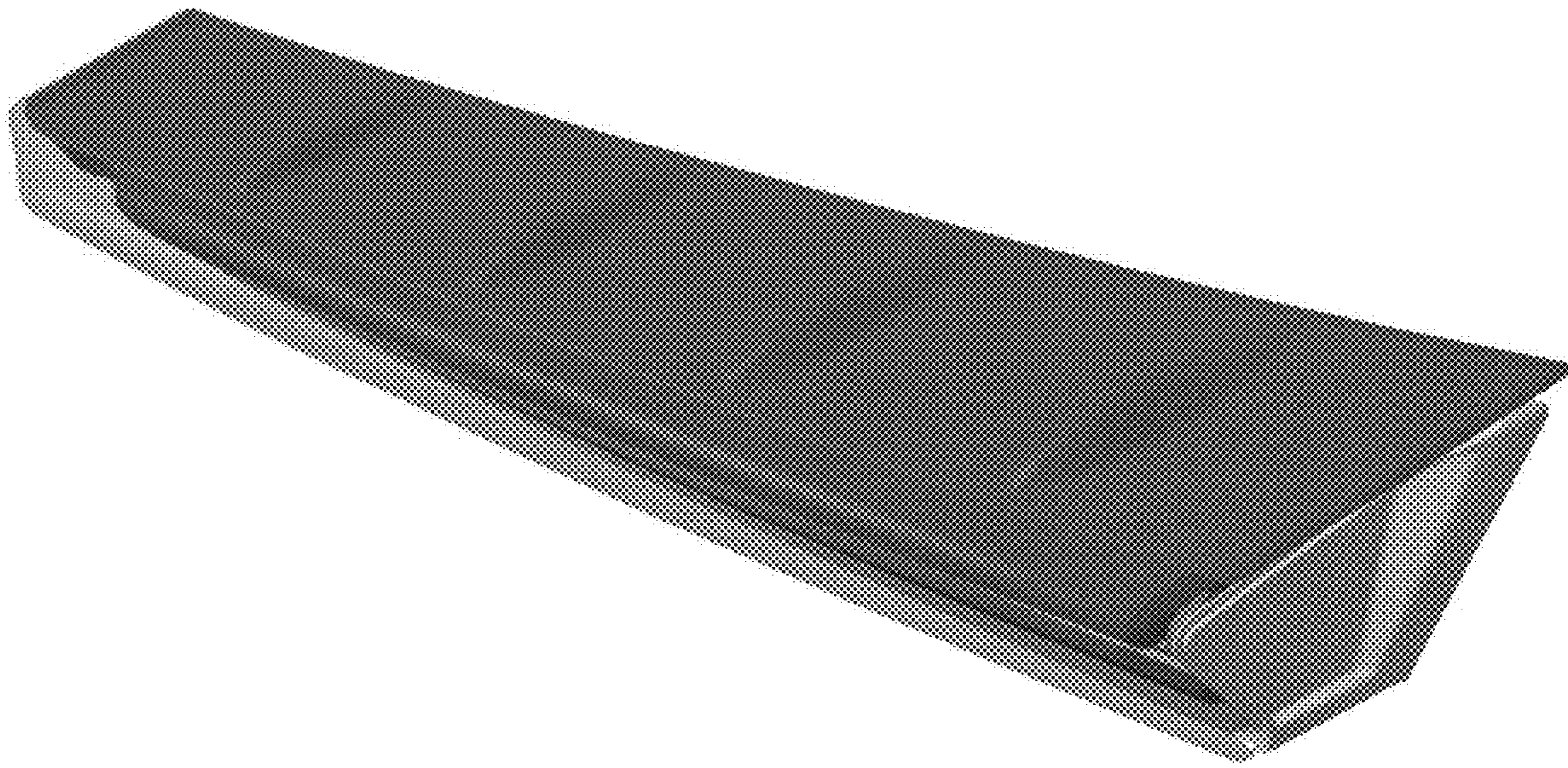


FIG. 1.2

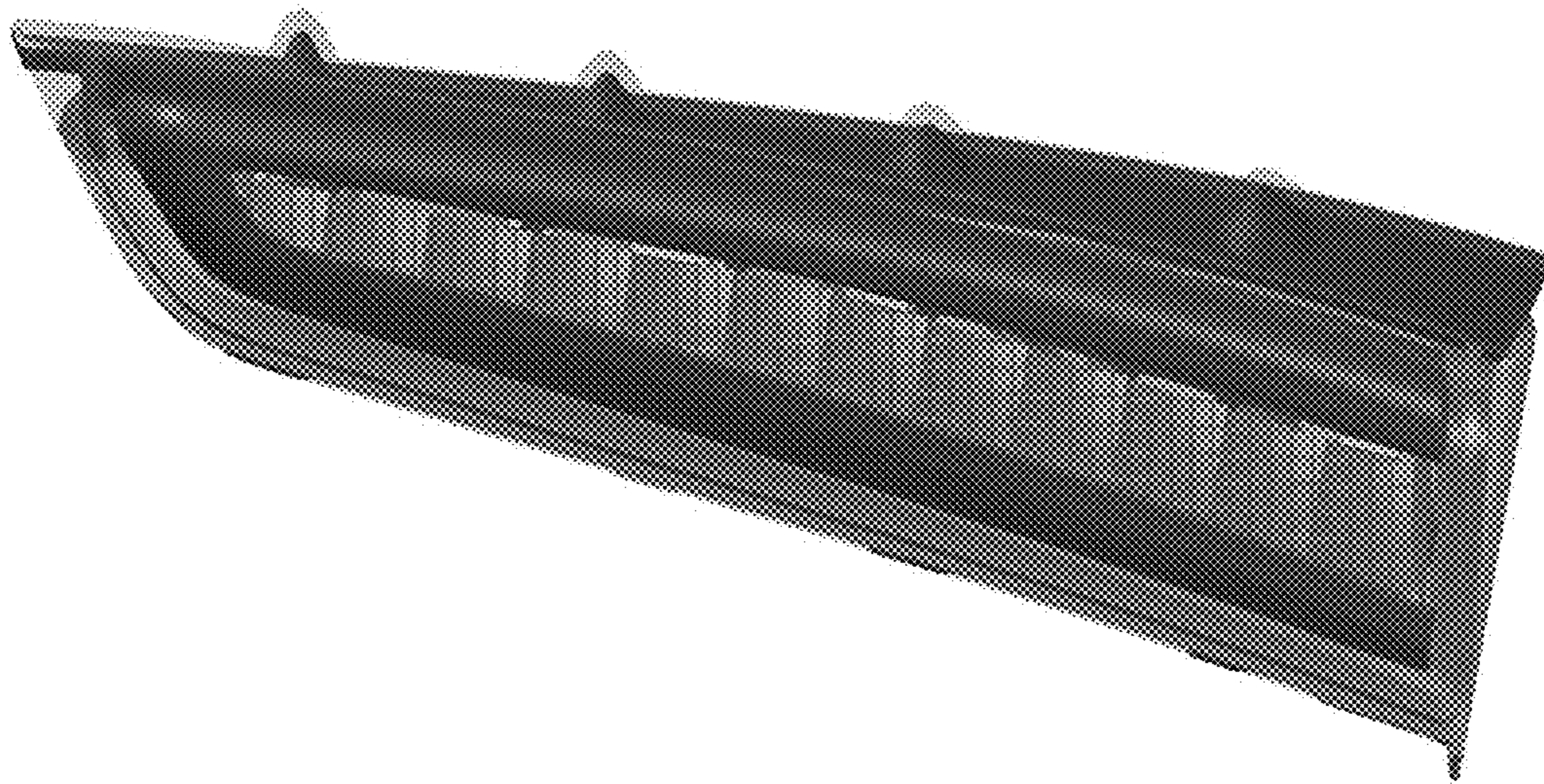


FIG. 1.3

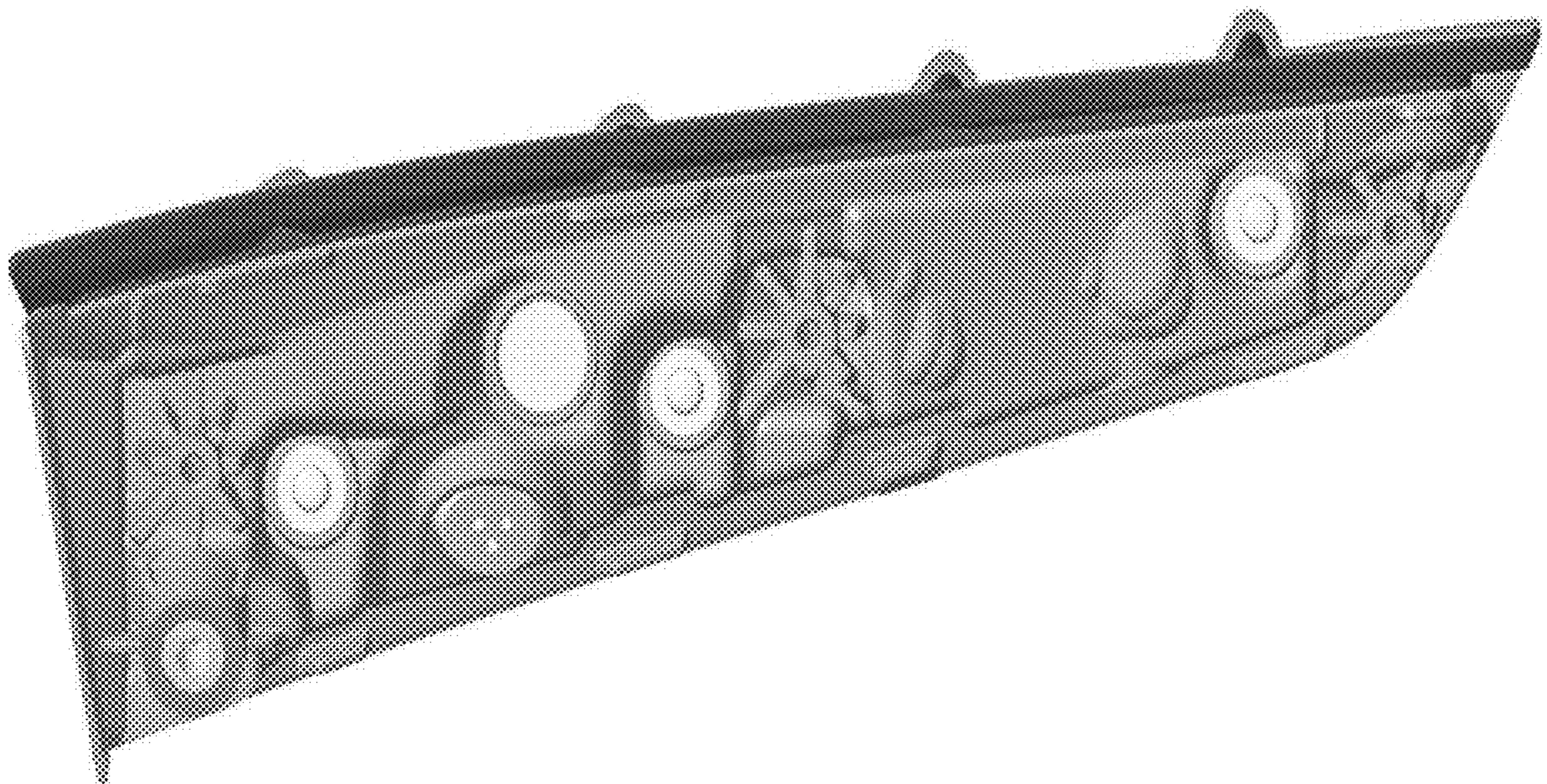


FIG. 1.4

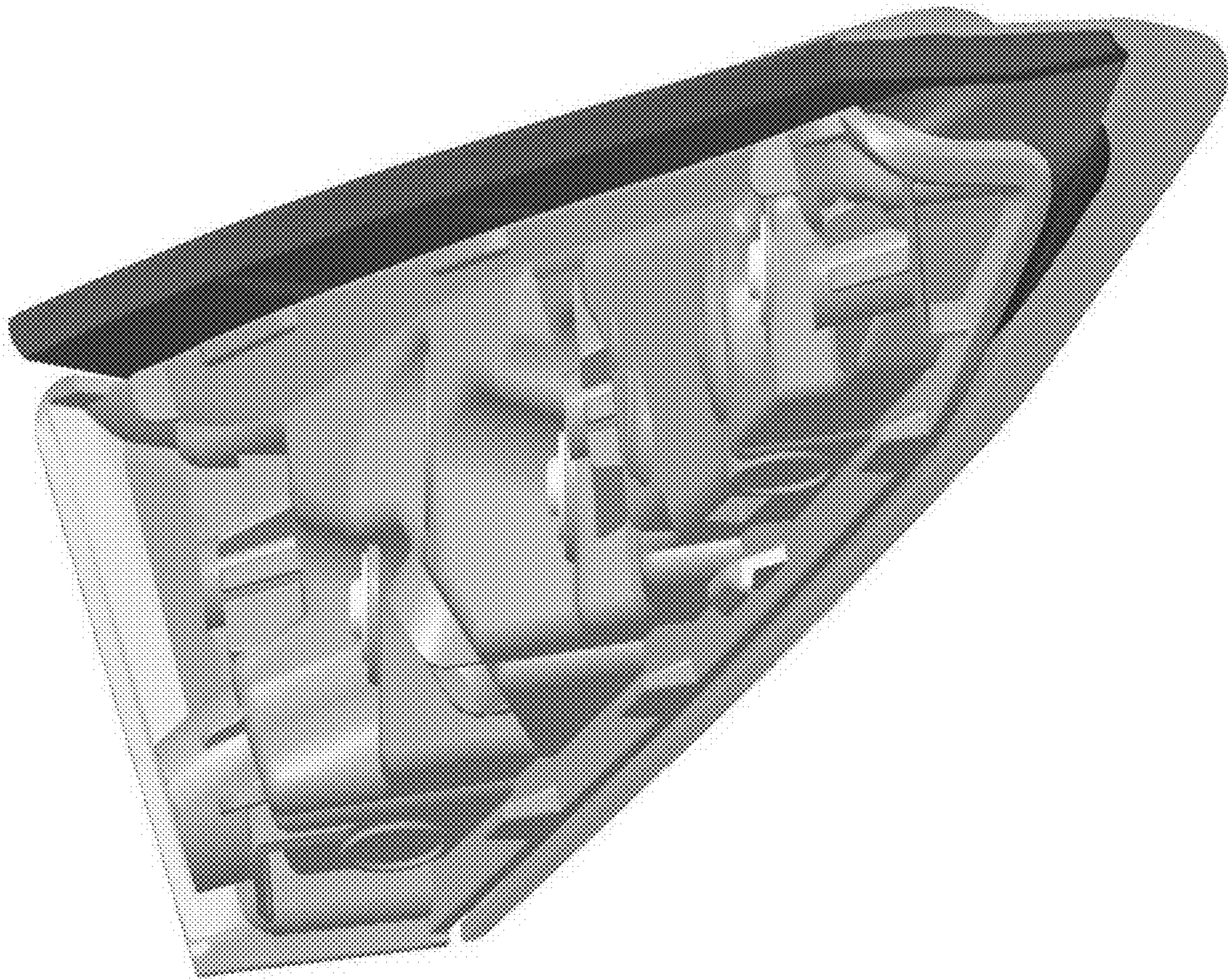


FIG. 1.5

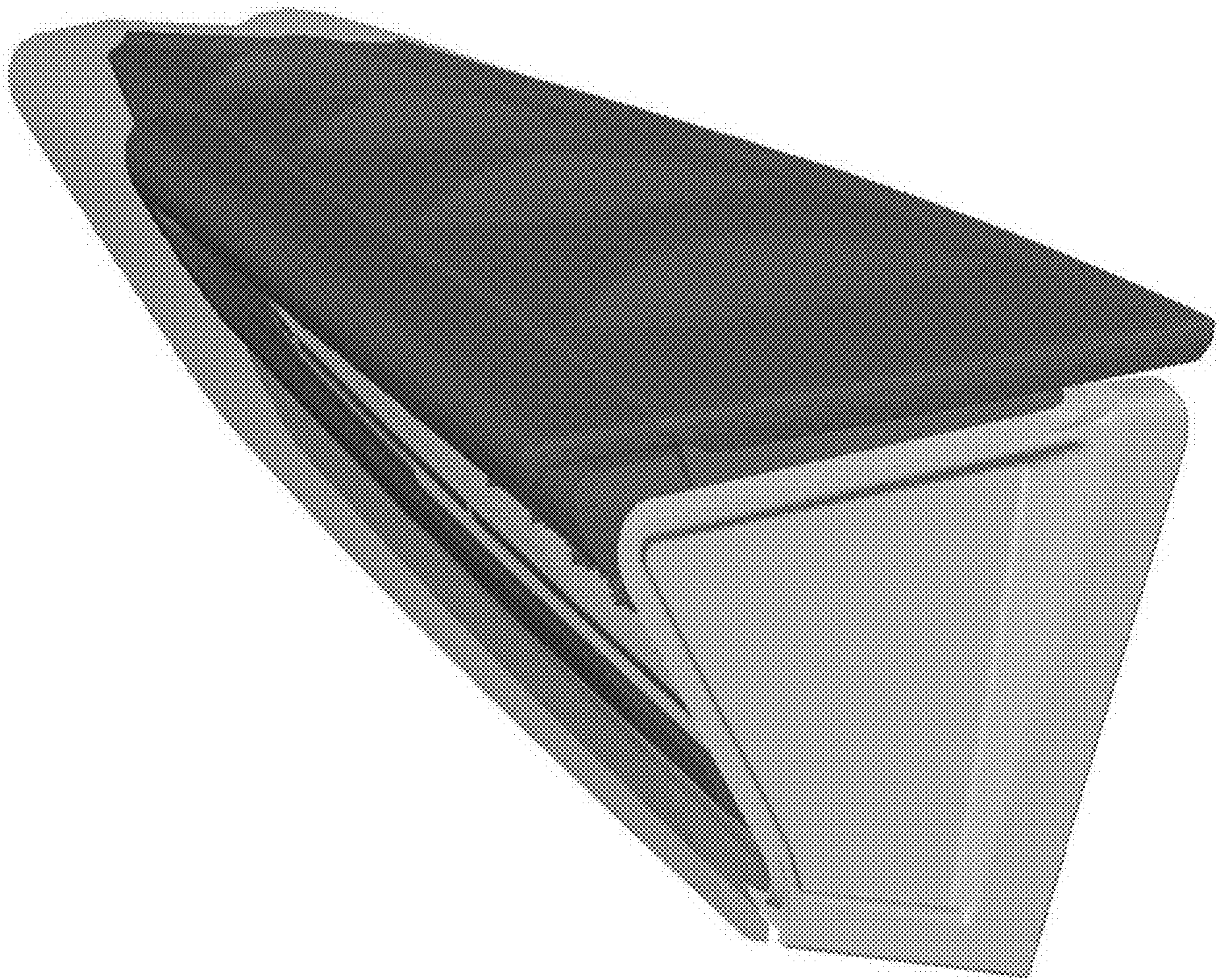


FIG. 1.6

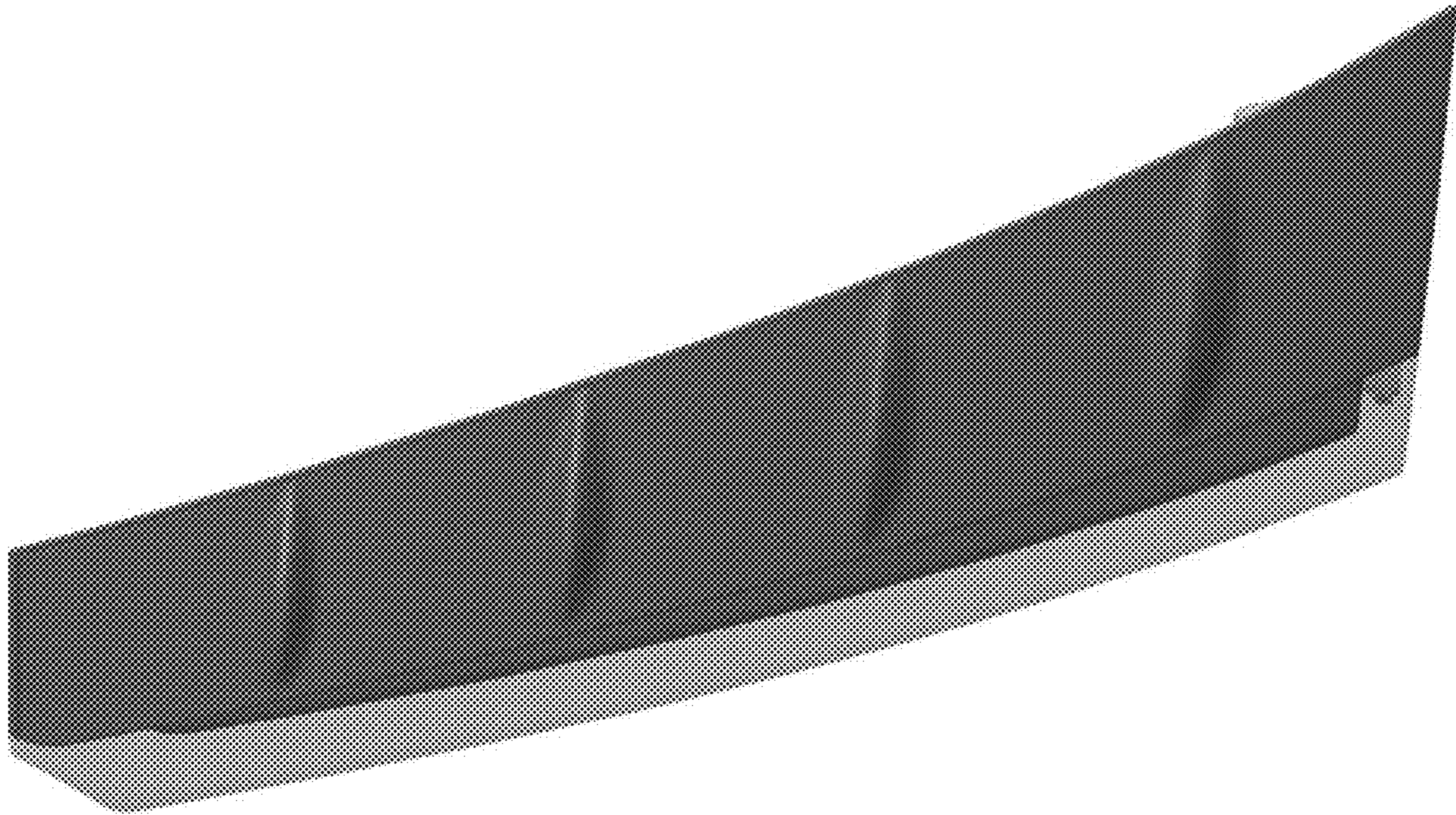


FIG. 1.7

