



US00D957704S

(12) **United States Design Patent**
Tian

(10) **Patent No.:** **US D957,704 S**
(45) **Date of Patent:** **** Jul. 12, 2022**

(54) **LIGHT**
(71) Applicant: **Xianxiu Tian**, Dongguan (CN)
(72) Inventor: **Xianxiu Tian**, Dongguan (CN)
(**) Term: **15 Years**
(21) Appl. No.: **29/797,700**

(22) Filed: **Jul. 1, 2021**
(51) **LOC (13) Cl.** **26-06**
(52) **U.S. Cl.**
USPC **D26/28**

(58) **Field of Classification Search**
USPC D26/28-36, 139
CPC F21S 48/00; F21S 48/10; F21S 48/115;
F21S 48/225; F21S 48/1233; F21S
48/1266; F21S 48/1388; F21S 48/2268;
F21V 5/00; F21V 21/04; F21V 29/004;
B60Q 9/13; B60Q 9/135; B60Q 9/1375;
F21W 2102/17; F21W 2103/00; F21W
2103/35; F21W 2103/55; F21W 2107/13;
F21W 2107/17

See application file for complete search history.

(56) **References Cited**

U.S. PATENT DOCUMENTS

D530,029 S * 10/2006 Neufeglise D26/28
D782,090 S * 3/2017 Graham D26/31

D810,330 S * 2/2018 Sibitzky D26/28
D828,604 S 9/2018 Bobel
D874,037 S * 1/2020 Grabowski D26/28
D881,428 S * 4/2020 Ko D26/28
D888,295 S * 6/2020 Grabowski D26/28
D894,459 S 8/2020 Smith et al.
D904,654 S * 12/2020 Horn D26/28
D913,539 S * 3/2021 Maxey D26/28

* cited by examiner

Primary Examiner — Marcus A Jackson

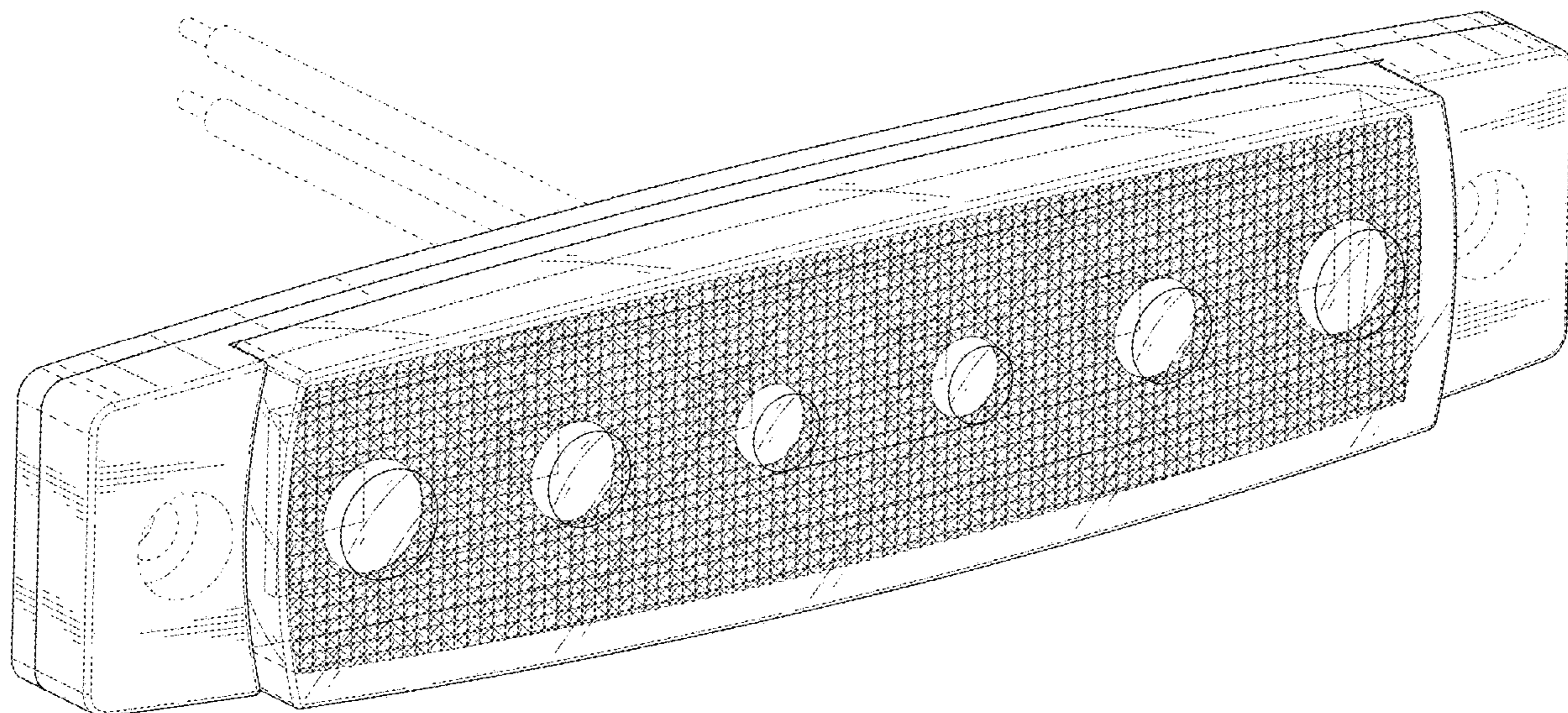
(57) **CLAIM**

The ornamental design for a light, as shown and described.

DESCRIPTION

FIG. 1 is a perspective view of a light showing my new design;
FIG. 2 is another perspective view thereof;
FIG. 3 is a front elevational view thereof;
FIG. 4 is a rear elevational view thereof;
FIG. 5 is a left side elevational view thereof;
FIG. 6 is a right side elevational view thereof;
FIG. 7 is a top plan view thereof;
FIG. 8 is a bottom plan view thereof; and,
FIG. 9 is a perspective view of the light where the light is in a configuration of use.
The broken lines in the drawings depict portions of the light that form no part of the claimed design.

1 Claim, 9 Drawing Sheets



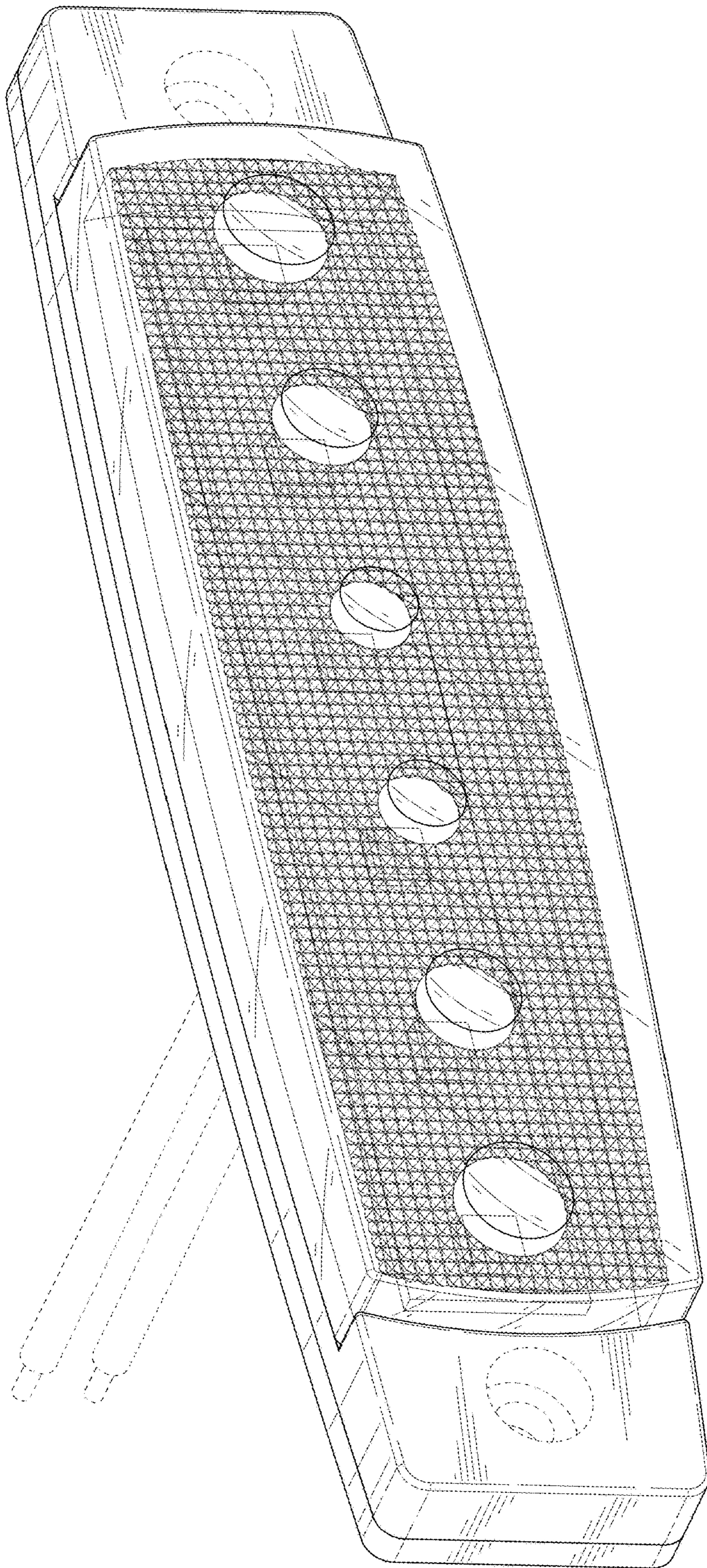


FIG. 1

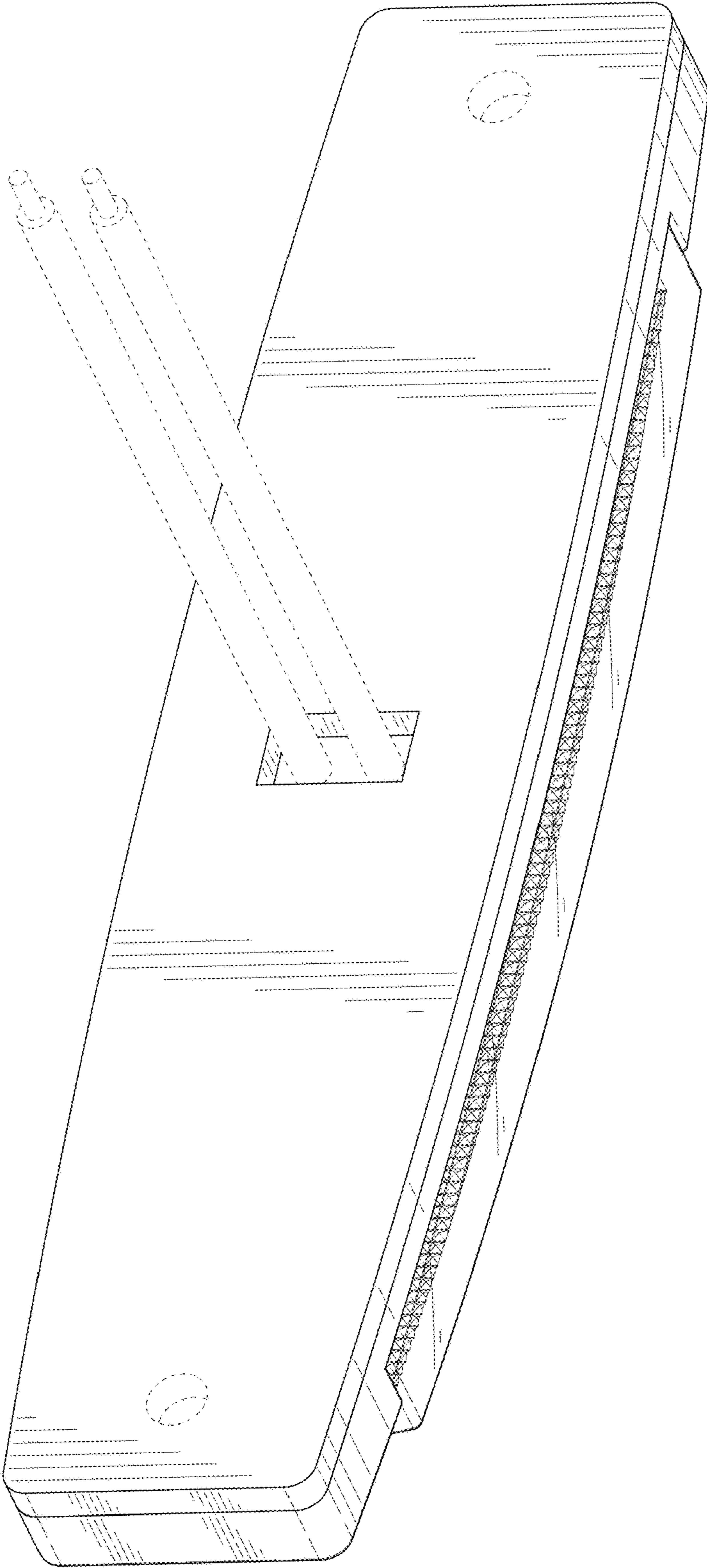


FIG. 2

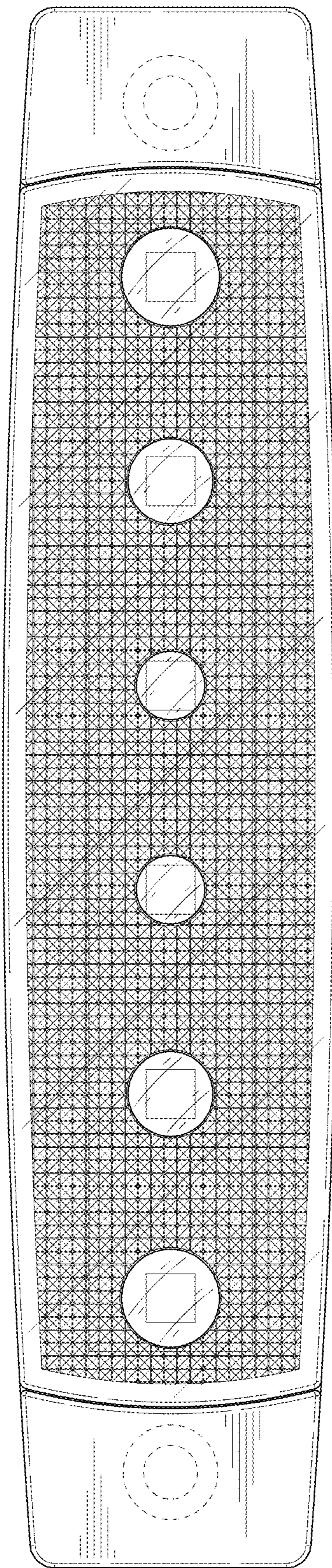


FIG. 3

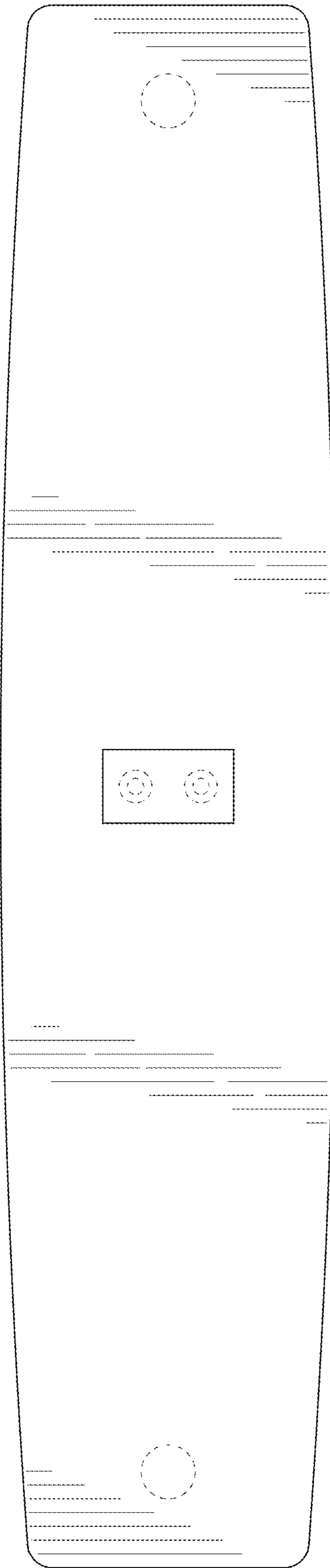


FIG. 4

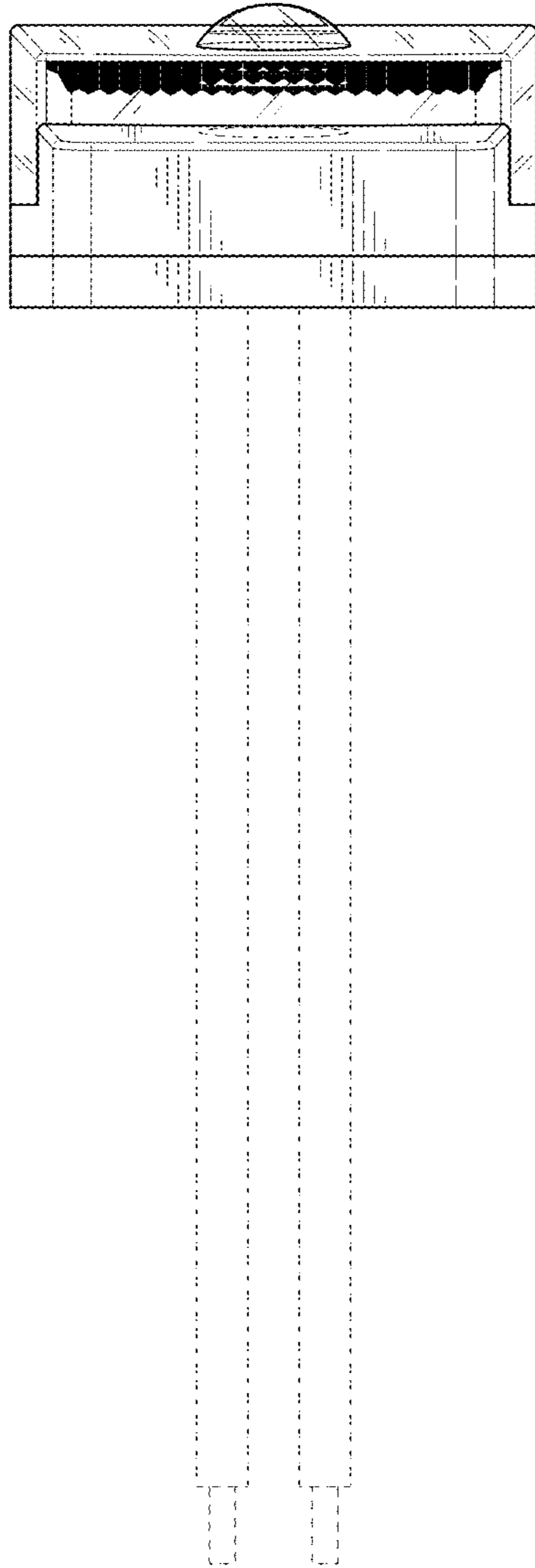


FIG. 5

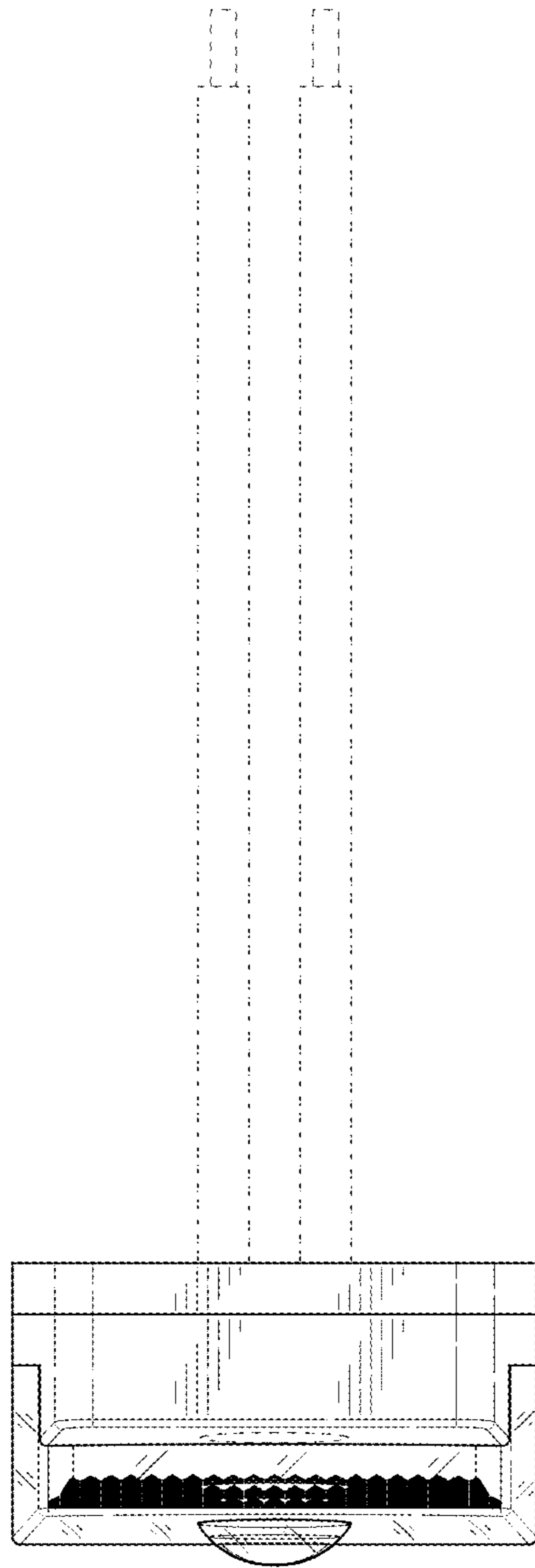


FIG. 6

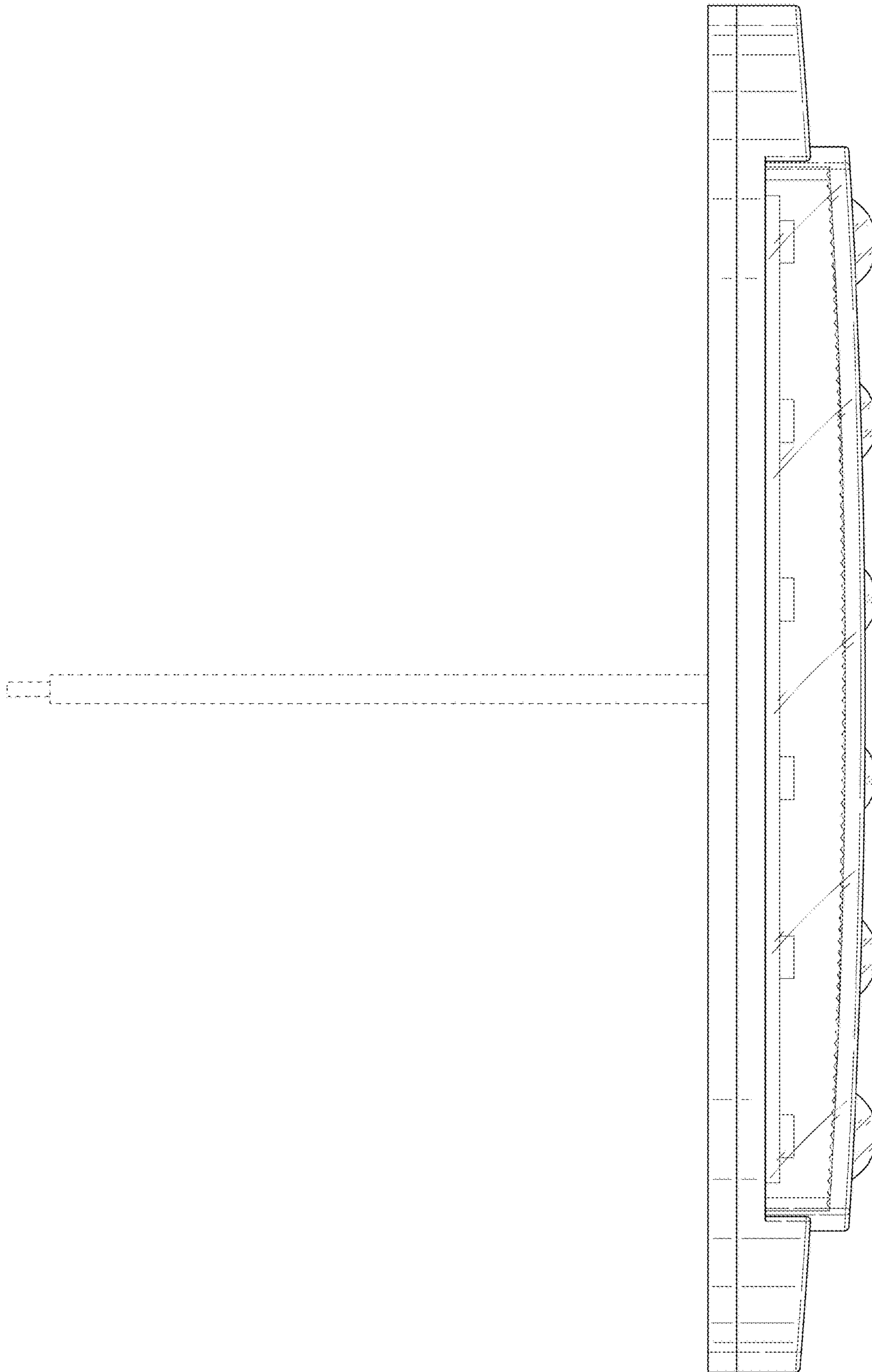


FIG. 7

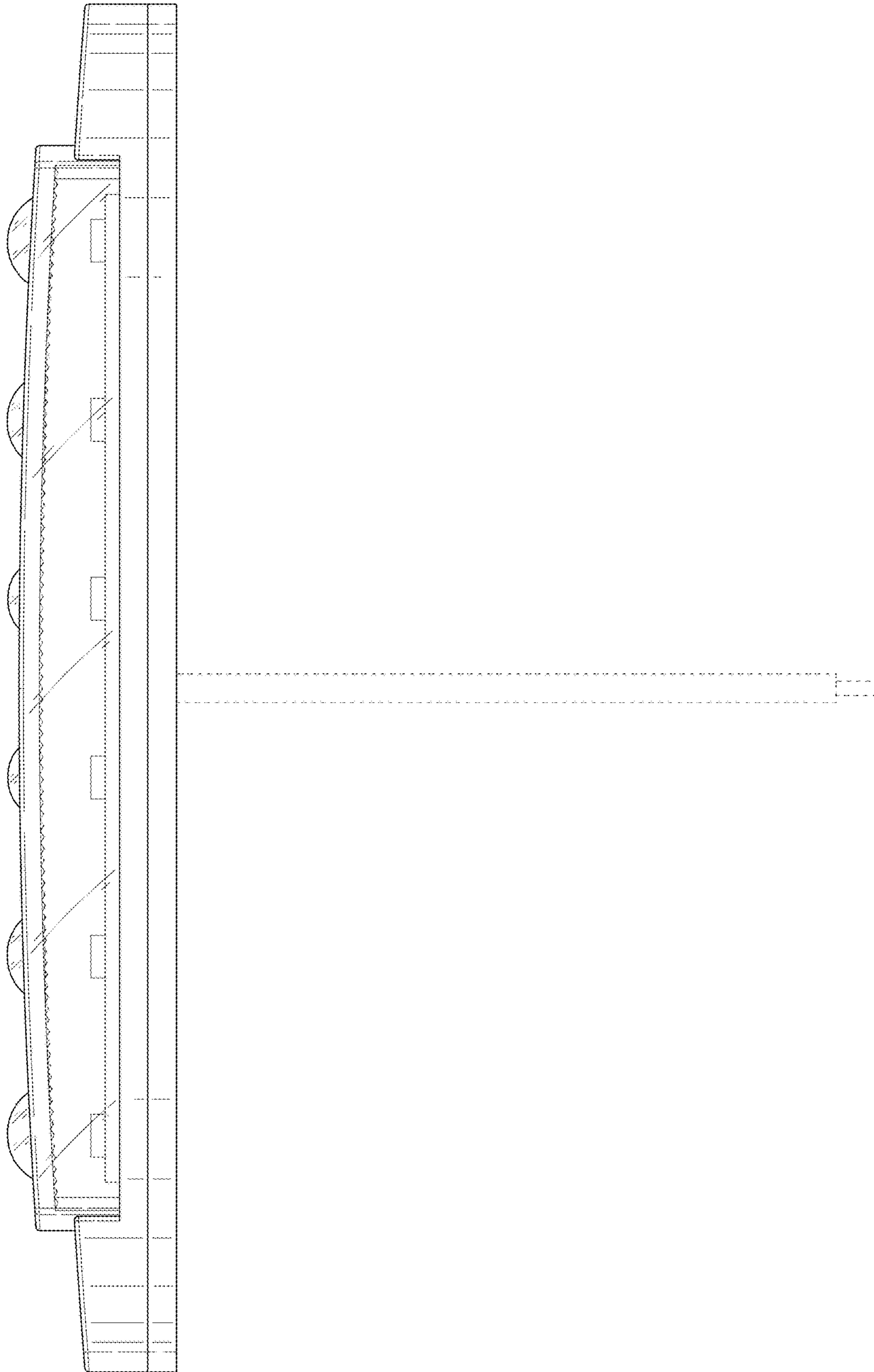


FIG. 8

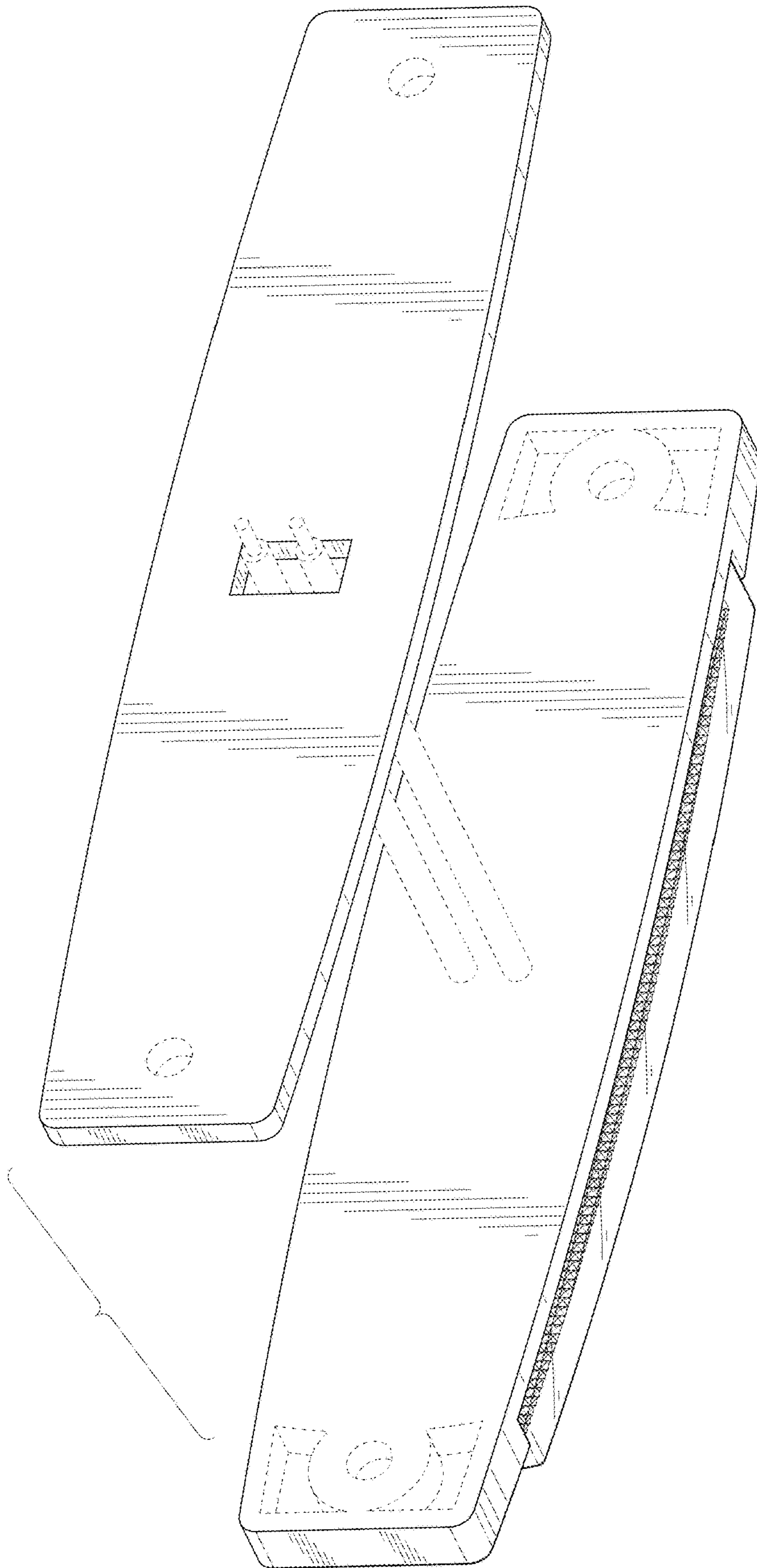


FIG. 9