



US00D957703S

(12) **United States Design Patent** (10) **Patent No.:** **US D957,703 S**
Wu (45) **Date of Patent:** **** Jul. 12, 2022**

(54) **VEHICLE LIGHT**
(71) Applicant: **COPLUS INC.**, Tainan (TW)
(72) Inventor: **Po-Hua Wu**, Tainan (TW)
(73) Assignee: **COPLUS INC.**, Tainan (TW)
(**) Term: **15 Years**
(21) Appl. No.: **29/754,676**

D675,352 S * 1/2013 Akojima D26/28
D679,037 S * 3/2013 Fukui D26/28
D691,758 S * 10/2013 Lai D26/28
(Continued)

FOREIGN PATENT DOCUMENTS

CA 189526 * 9/2019
EM 004496719-0001 * 3/2018
(Continued)

OTHER PUBLICATIONS

Morimoto XB LED Headlights, Fits 2005-2013 Chevrolet Corvette C6, available in Amazon.com, date first available Jul. 20, 2018 [online], [site visited Apr. 29, 2022], Available from the internet URL: <https://www.amazon.com/Morimoto-Headlights-Headlight-Switchback-Sequential/dp/B07G3GRLR3> (Year: 2018).*

(Continued)

Primary Examiner — Brett Miller
Assistant Examiner — Jasmine L. Comedy
(74) *Attorney, Agent, or Firm* — Lewis Roca Rothgerber Christie LLP

(30) **Foreign Application Priority Data**
Jul. 22, 2020 (TW) 109304047
(51) **LOC (13) Cl.** **26-06**
(52) **U.S. Cl.**
USPC **D26/28**
(58) **Field of Classification Search**
USPC D26/24, 28, 29, 34-36, 139; D12/196
CPC B60Q 1/2615; B60Q 1/26; B60Q 1/2619;
B60Q 1/2607; B60Q 1/44; F21S 43/00;
F21S 43/10; F21S 43/13
See application file for complete search history.

(57) **CLAIM**

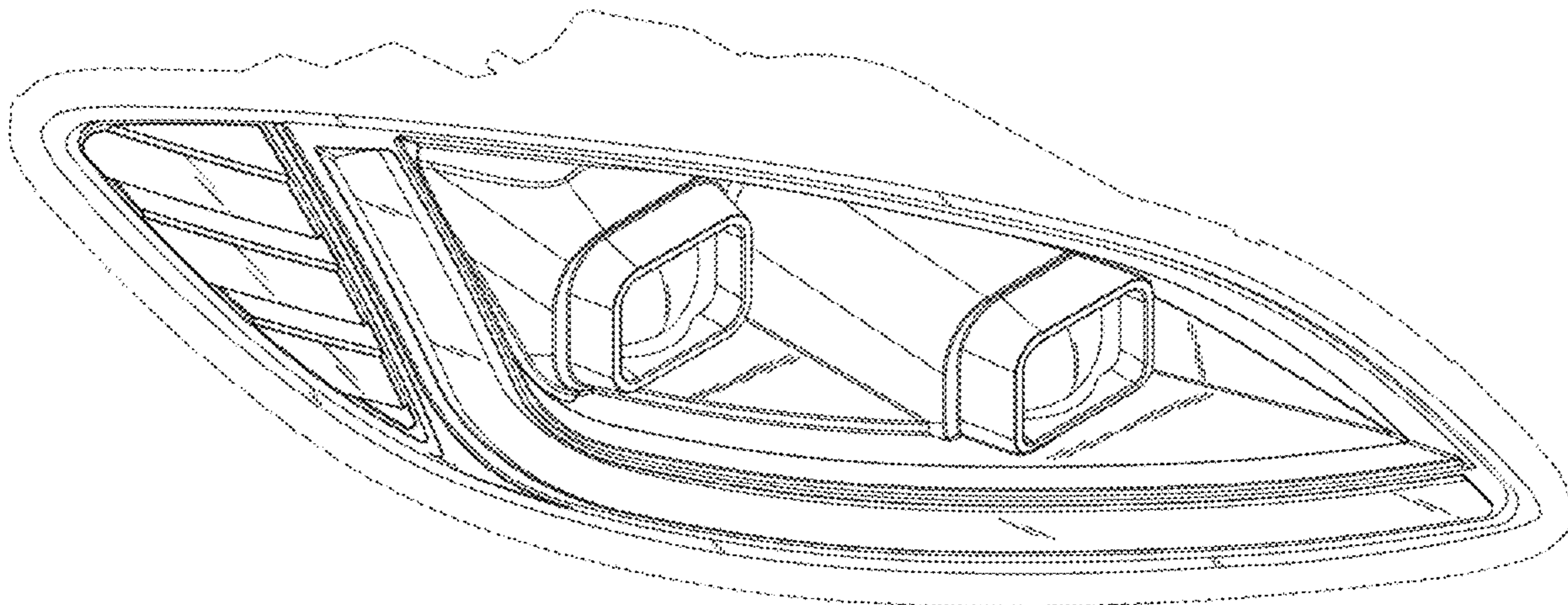
The ornamental design for a vehicle light, as shown and described.

(56) **References Cited**
U.S. PATENT DOCUMENTS
D501,941 S * 2/2005 Abe D26/28
D505,214 S * 5/2005 Yamagishi D26/28
D519,655 S * 4/2006 Sugimoto D26/28
D526,427 S * 8/2006 Morioka D26/28
D535,409 S * 1/2007 Yamaguchi D26/28
D563,001 S * 2/2008 Sato D26/28
D563,576 S * 3/2008 Hanaoka D26/28
D618,835 S * 6/2010 Jeong D26/28
D618,836 S * 6/2010 Shim D26/28
D619,279 S * 7/2010 Lamm D26/28
D635,696 S * 4/2011 Jeong D26/28
D657,482 S * 4/2012 Kong D26/28
D674,932 S * 1/2013 Kawano D26/28

DESCRIPTION

FIG. 1 is a perspective view of the vehicle light;
FIG. 2 is a front view thereof;
FIG. 3 is a rear view thereof;
FIG. 4 is a left side view thereof;
FIG. 5 is a right side view thereof;
FIG. 6 is a top view thereof; and,
FIG. 7 is a bottom view thereof.
The broken lines in the drawings depict portions of the article that form no part of the claimed design.

1 Claim, 7 Drawing Sheets



(56)

References Cited

U.S. PATENT DOCUMENTS

D697,647 S * 1/2014 Wada D26/28
 D709,224 S * 7/2014 Lai D26/28
 D720,870 S * 1/2015 Lim D26/28
 D728,135 S * 4/2015 Ha D26/28
 D757,966 S * 5/2016 Kim D26/28
 D757,967 S * 5/2016 Kim D26/28
 D765,284 S * 8/2016 Kim D26/28
 D765,894 S * 9/2016 Lai D26/28
 D769,484 S * 10/2016 Morikawa D26/28
 D776,312 S * 1/2017 Han D26/28
 D776,840 S * 1/2017 Youn D26/28
 D777,359 S * 1/2017 Kozub D26/28
 D777,360 S * 1/2017 Kozub D26/28
 D788,956 S * 6/2017 Hong D26/28
 D791,985 S * 7/2017 Lin D26/28
 D811,630 S * 2/2018 Lai D26/28
 D818,160 S * 5/2018 Perkins D26/28
 D828,934 S * 9/2018 Baaske D26/28
 D830,591 S * 10/2018 Lai D26/28
 D838,016 S * 1/2019 McMahan D26/28
 D843,028 S * 3/2019 Lee D26/28
 D856,557 S * 8/2019 Lin D26/28

D858,813 S * 9/2019 Datta D26/28
 D865,245 S * 10/2019 Kim D26/28
 D867,951 S * 11/2019 IZARD D12/196
 D871,630 S * 12/2019 Lai D26/28
 D883,527 S * 5/2020 Lin D26/28

FOREIGN PATENT DOCUMENTS

GB 6057798 * 3/2019
 IN 309825 * 11/2018

OTHER PUBLICATIONS

Anzo 121553, available in Amazon.com, date first available May 1, 2020 [online], [site visited Apr. 29, 2022], Available from the internet URL: https://www.amazon.com/ANZO-121553/dp/B087YSS48G/ref=sr_1_14?keywords=Corvette+Headlights&qid=1651244156&sr=8-14 (Year: 2020).*

2018 Taipei Ampa—Coplus Chevrolet Corvette, Subaru WRX Headlights / Tail Lights, announced in YouTube on Apr. 16, 2018 [online], [site visited Apr. 29, 2022], Available from the internet URL: <https://www.youtube.com/watch?v=zKdldCQzXsk> (Year: 2018).*

* cited by examiner

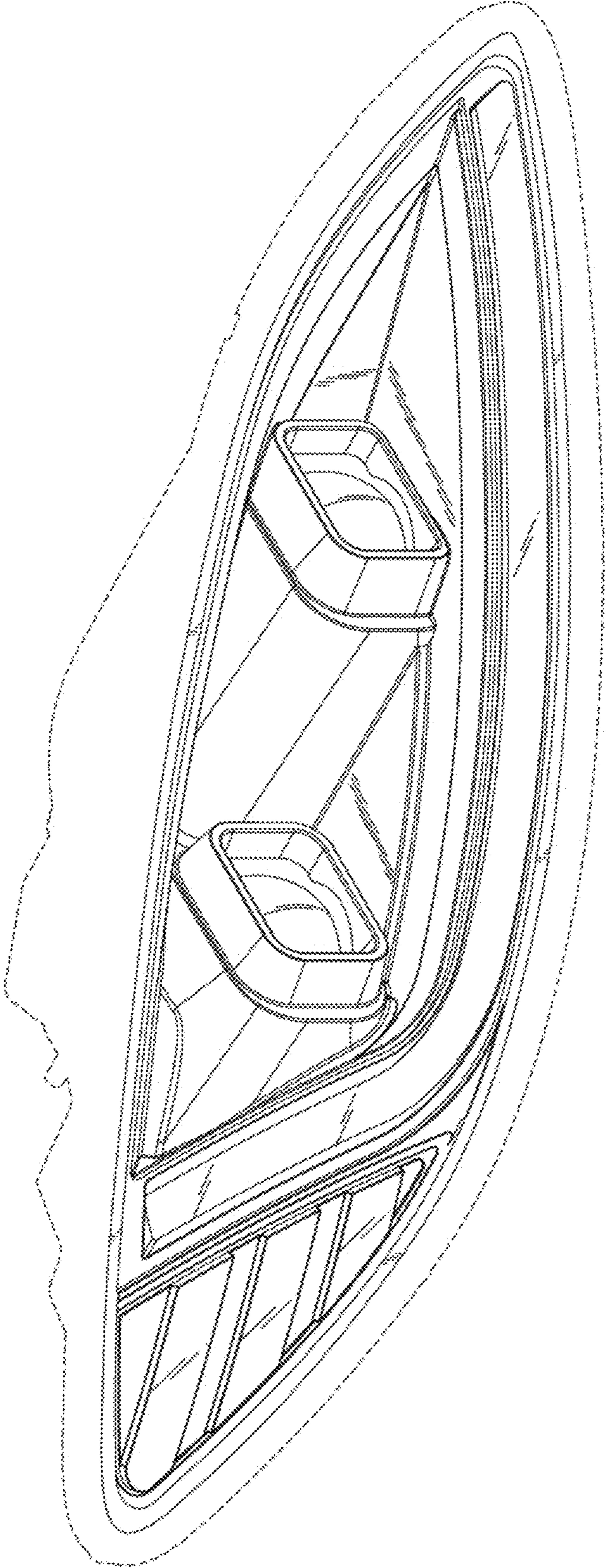


FIG. 1

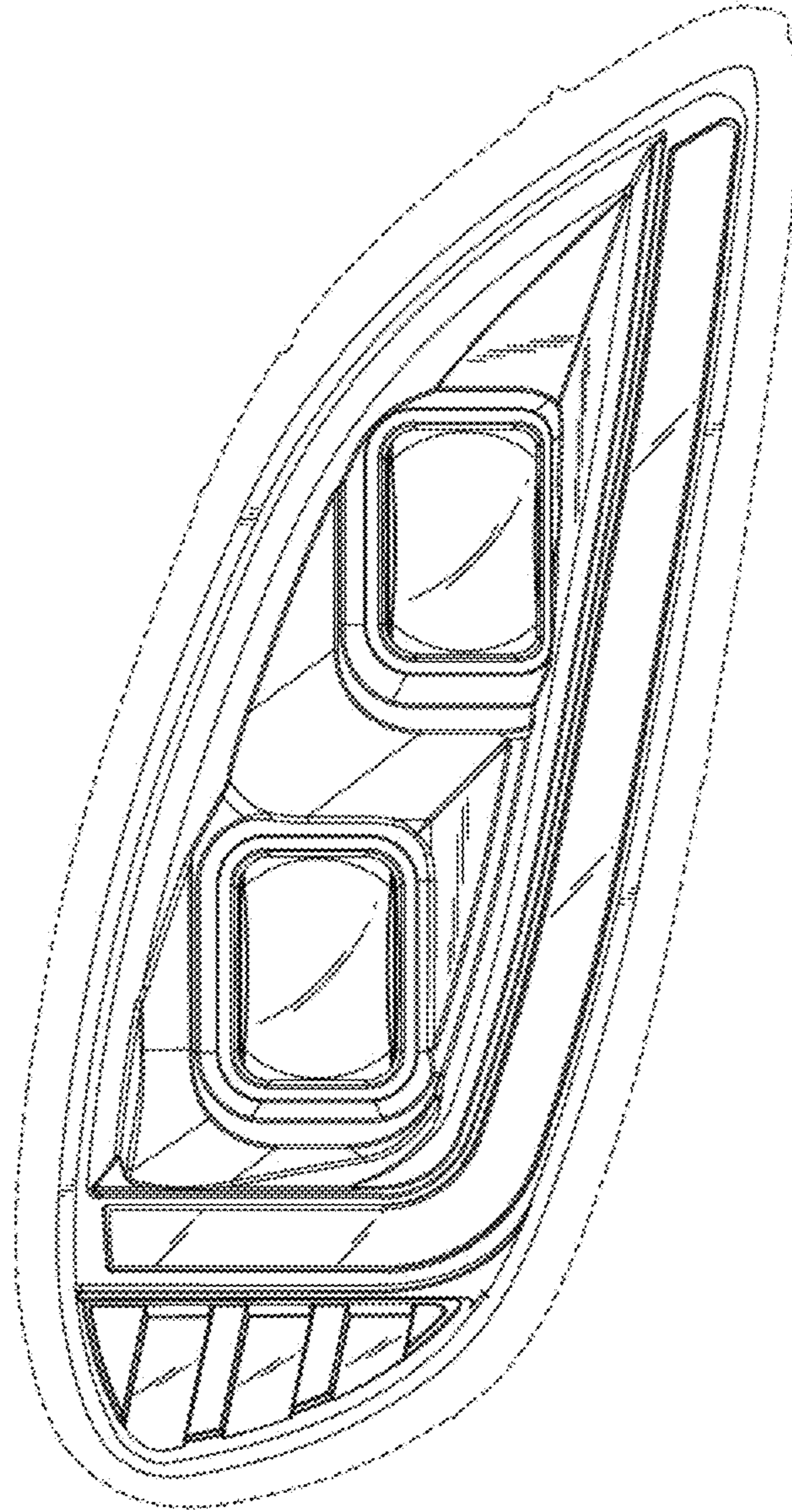


FIG. 2

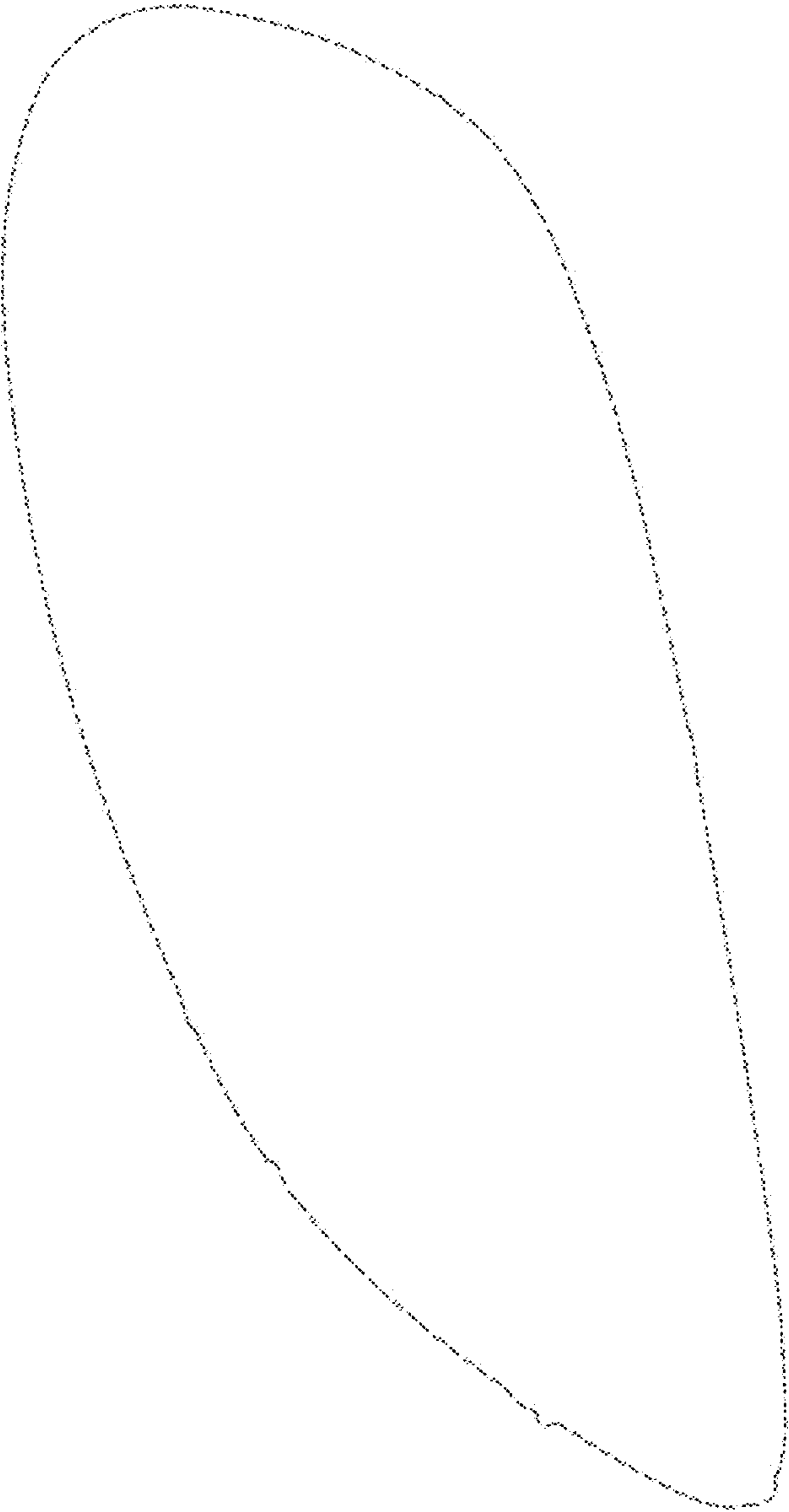


FIG. 3

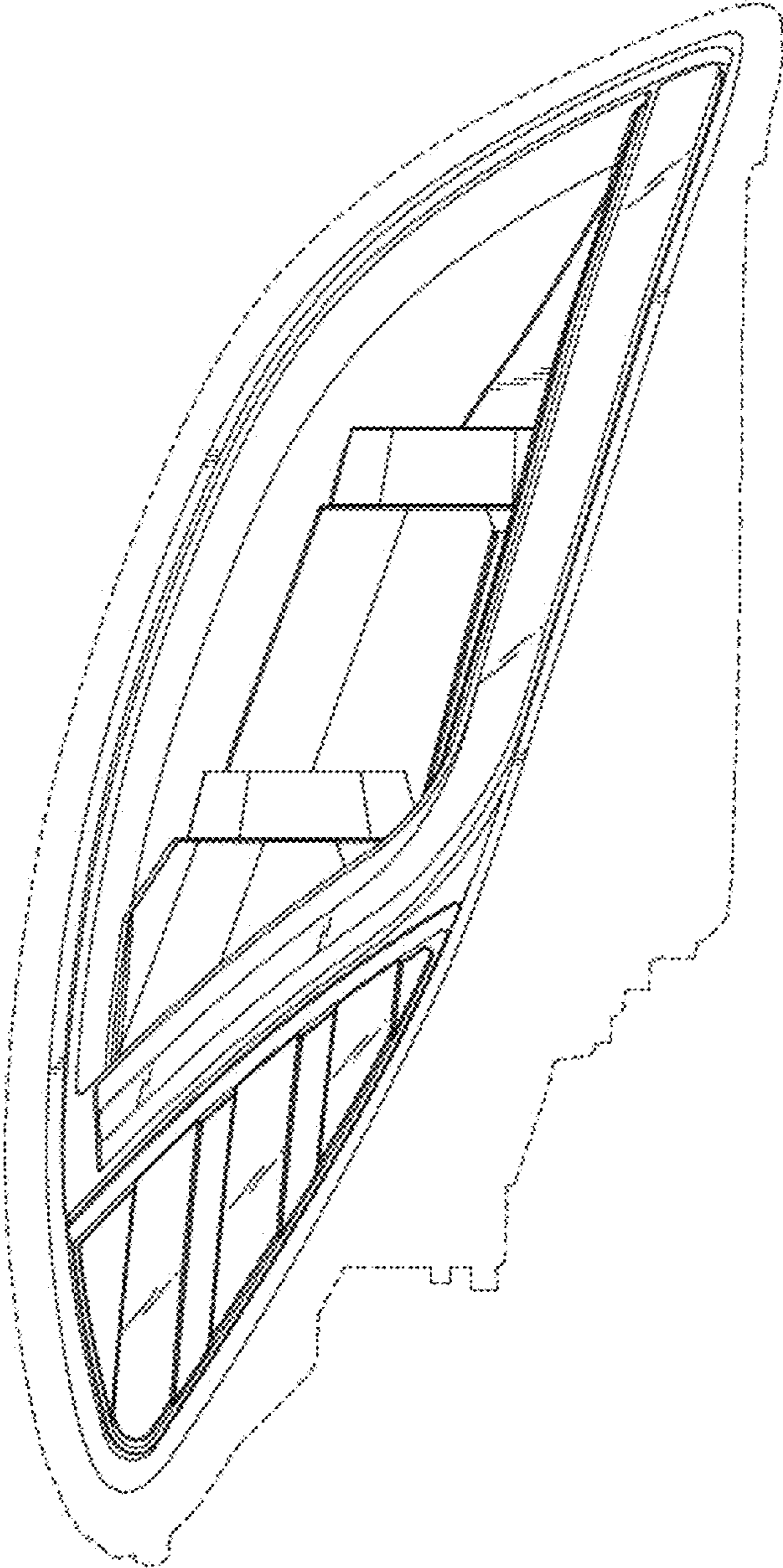


FIG. 4

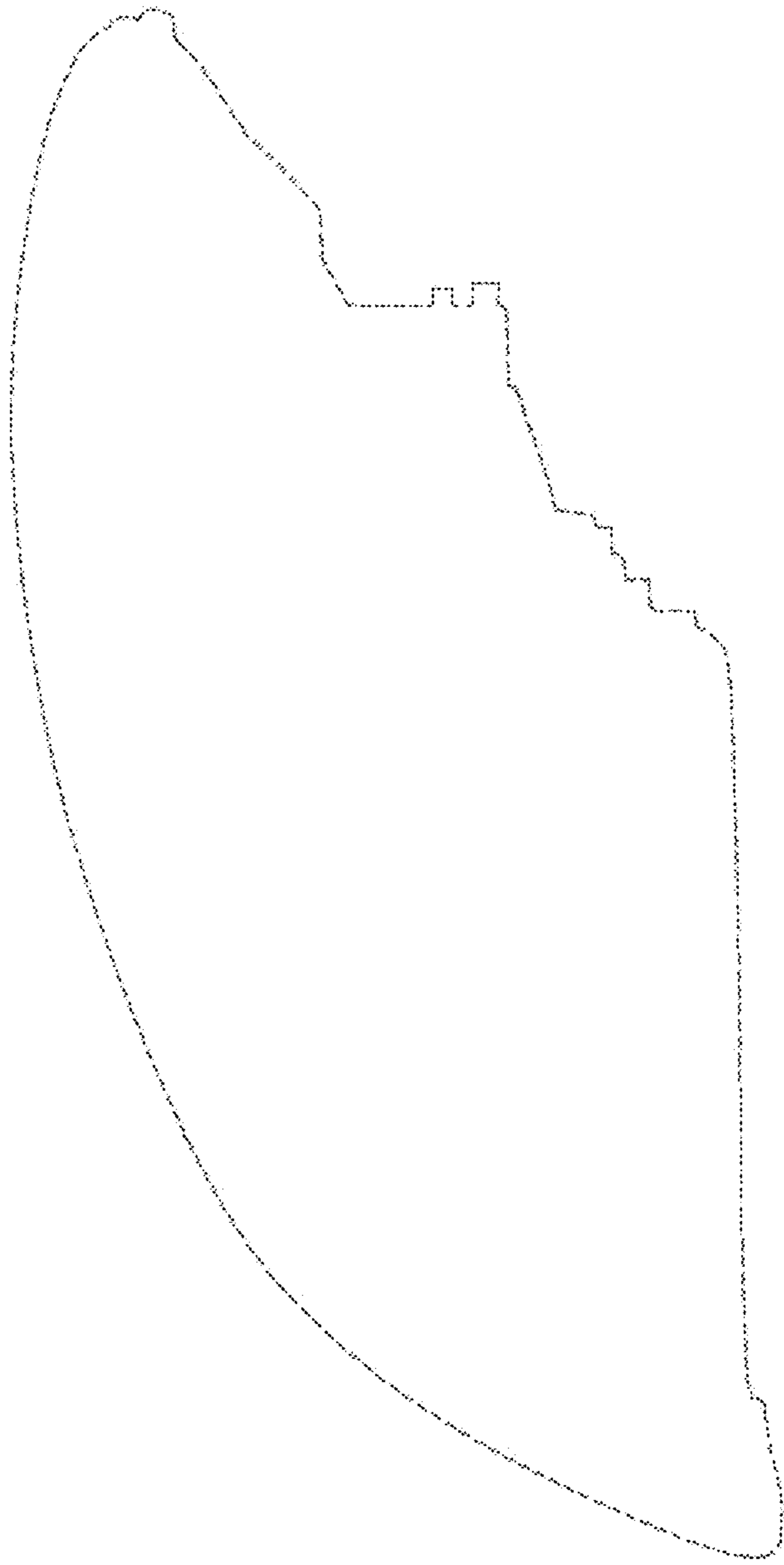


FIG. 5

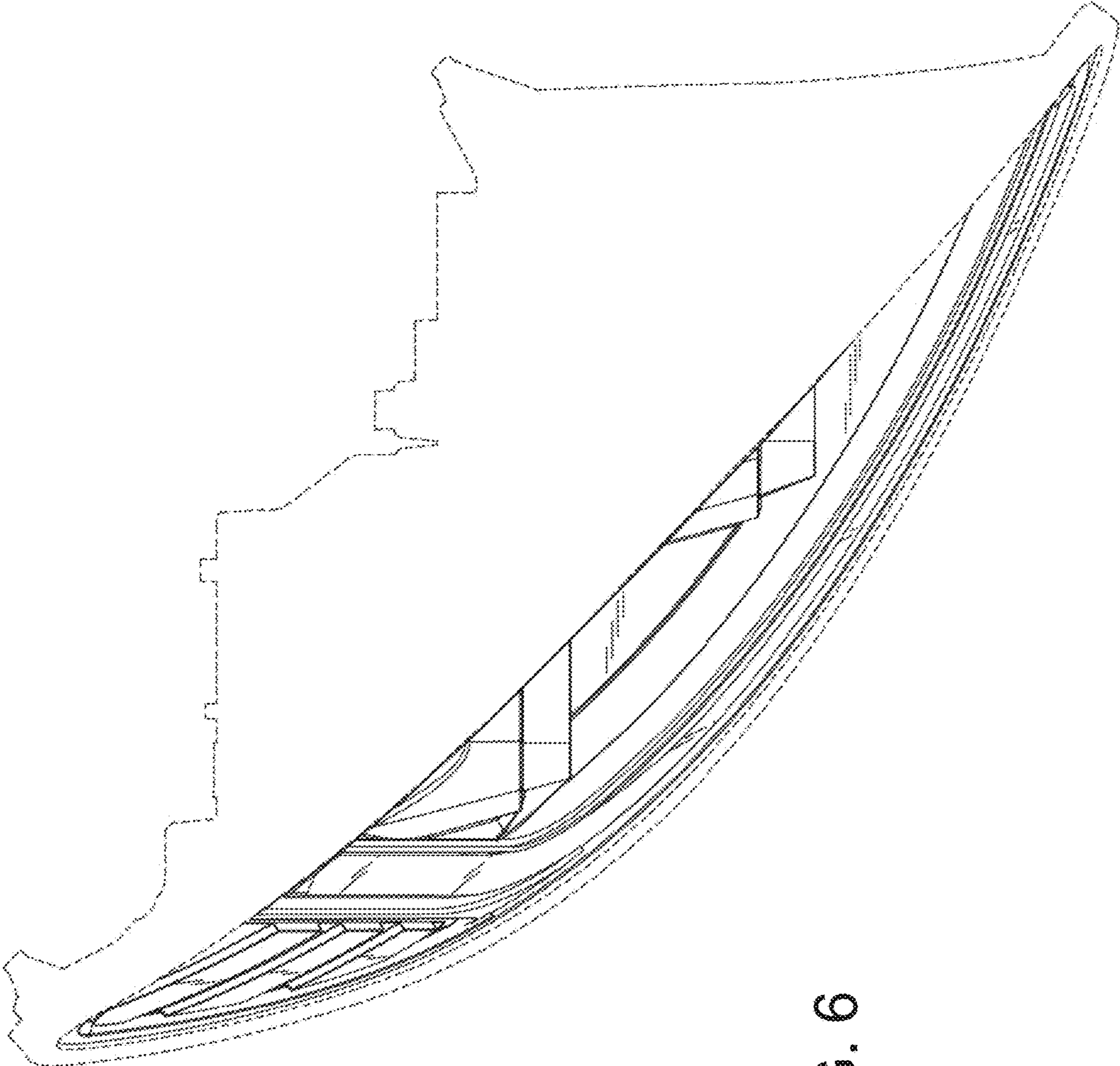


FIG. 6



FIG. 7