



US00D957702S

(12) **United States Design Patent**  
**Wu**

(10) **Patent No.:** **US D957,702 S**  
(45) **Date of Patent:** **\*\* Jul. 12, 2022**

- (54) **BRAKE LIGHT**
- (71) Applicant: **Fang Wu**, Yingcheng (CN)
- (72) Inventor: **Fang Wu**, Yingcheng (CN)
- (\*\*) Term: **15 Years**
- (21) Appl. No.: **29/750,550**
- (22) Filed: **Sep. 15, 2020**
- (51) **LOC (13) Cl.** ..... **26-06**
- (52) **U.S. Cl.**  
USPC ..... **D26/28**
- (58) **Field of Classification Search**  
USPC ..... D26/28, 29, 30, 31, 32, 33, 34, 35, 36,  
D26/139  
CPC ..... F21W 2103/35; F21W 2103/40; F21W  
2102/17; F21W 2102/30; F21W 2103/00;  
F21W 2103/55; F21W 2104/00; F21W  
2107/17; F21W 2107/13; F21S 41/00;  
F21S 41/141; F21S 41/162; F21S 41/18;  
F21S 41/20; F21S 41/33; F21S 41/36;  
F21S 41/60; F21S 43/00; F21S 43/15;  
F21S 43/50; F21V 21/04  
See application file for complete search history.

D870,939 S *	12/2019	Tseng	.....	D26/28
D889,710 S *	7/2020	Yeh	.....	D26/31
D890,375 S *	7/2020	Chen	.....	D26/28
D890,378 S *	7/2020	Chen	.....	D26/28
D890,964 S *	7/2020	Chen	.....	D26/28
D890,965 S *	7/2020	Chen	.....	D26/28
D890,966 S *	7/2020	Chen	.....	D26/28
D890,967 S *	7/2020	Chen	.....	D26/28
D890,968 S *	7/2020	Chen	.....	D26/28
D890,971 S *	7/2020	Chen	.....	D26/31
D919,142 S *	5/2021	Wu	.....	D26/31

\* cited by examiner

*Primary Examiner* — Angela J Lee

(57) **CLAIM**

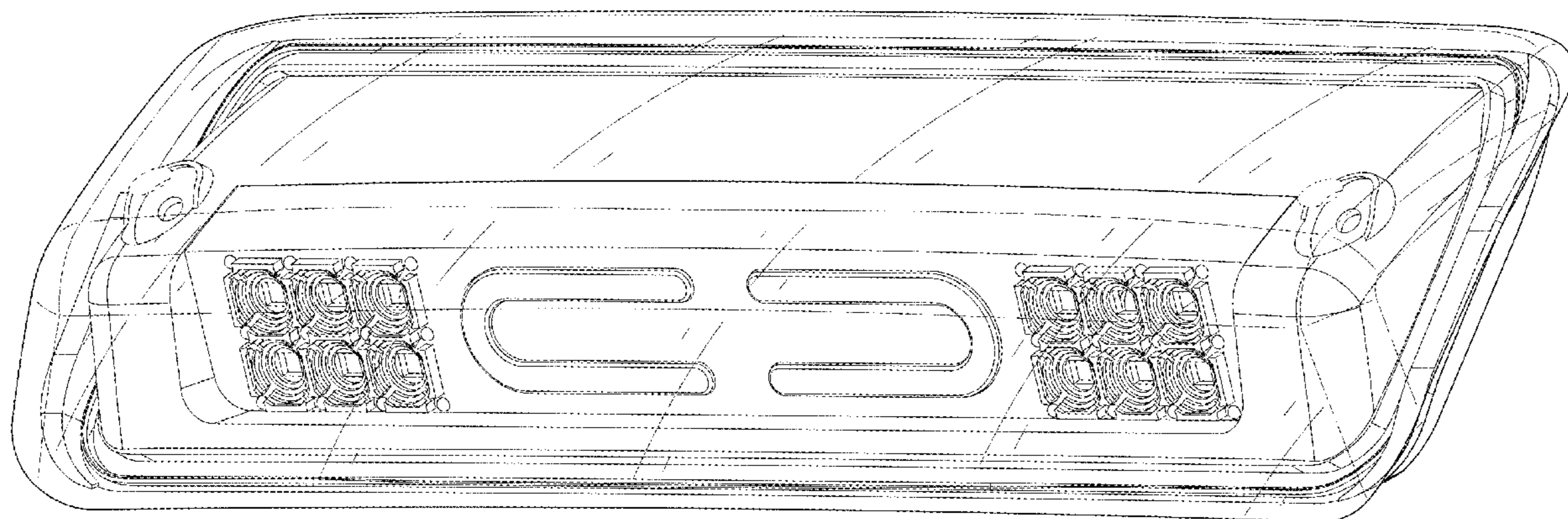
The ornamental design for a brake light, as shown and described.

**DESCRIPTION**

FIG. 1 is a perspective view of a brake light showing my new design;  
 FIG. 2 is another perspective view thereof;  
 FIG. 3 is a front elevational view thereof;  
 FIG. 4 is a rear elevational view thereof;  
 FIG. 5 is a left side elevational view thereof;  
 FIG. 6 is a right side elevational view thereof;  
 FIG. 7 is a top plan view thereof; and,  
 FIG. 8 is a bottom plan view thereof.  
 The broken lines in the drawings depict portions of the brake light that form no part of the claimed design.

**1 Claim, 8 Drawing Sheets**

- (56) **References Cited**  
U.S. PATENT DOCUMENTS  
D690,852 S \* 10/2013 Cooney ..... D26/28  
D799,081 S \* 10/2017 Lin ..... D26/28



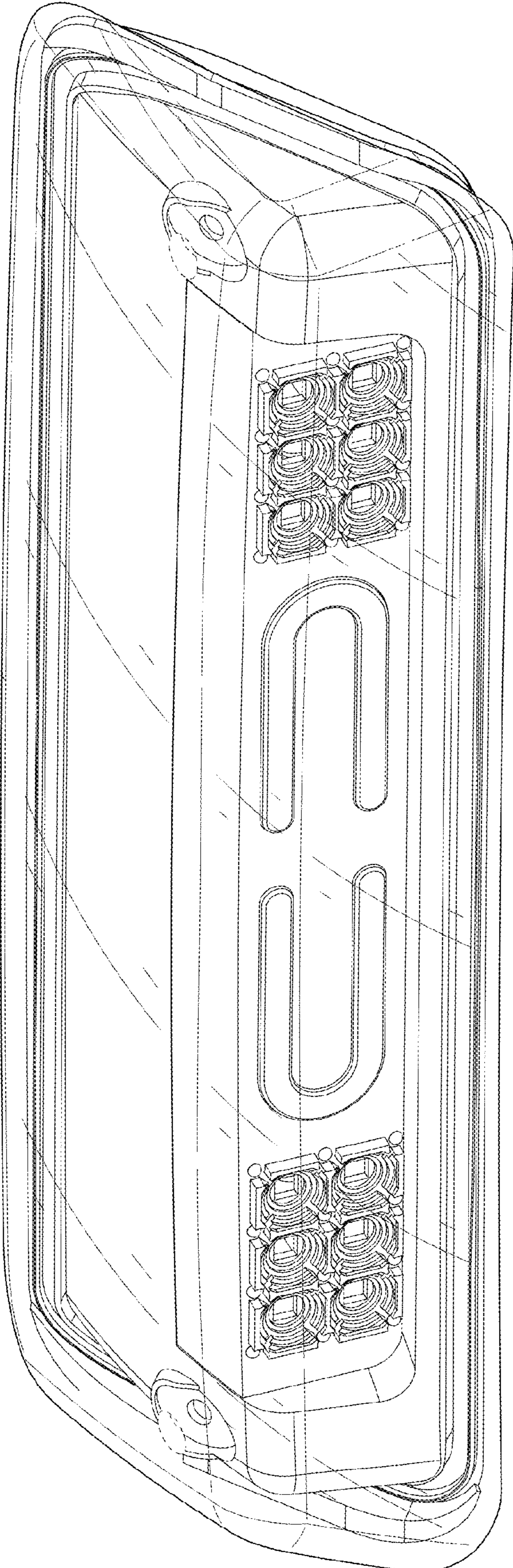


FIG. 1

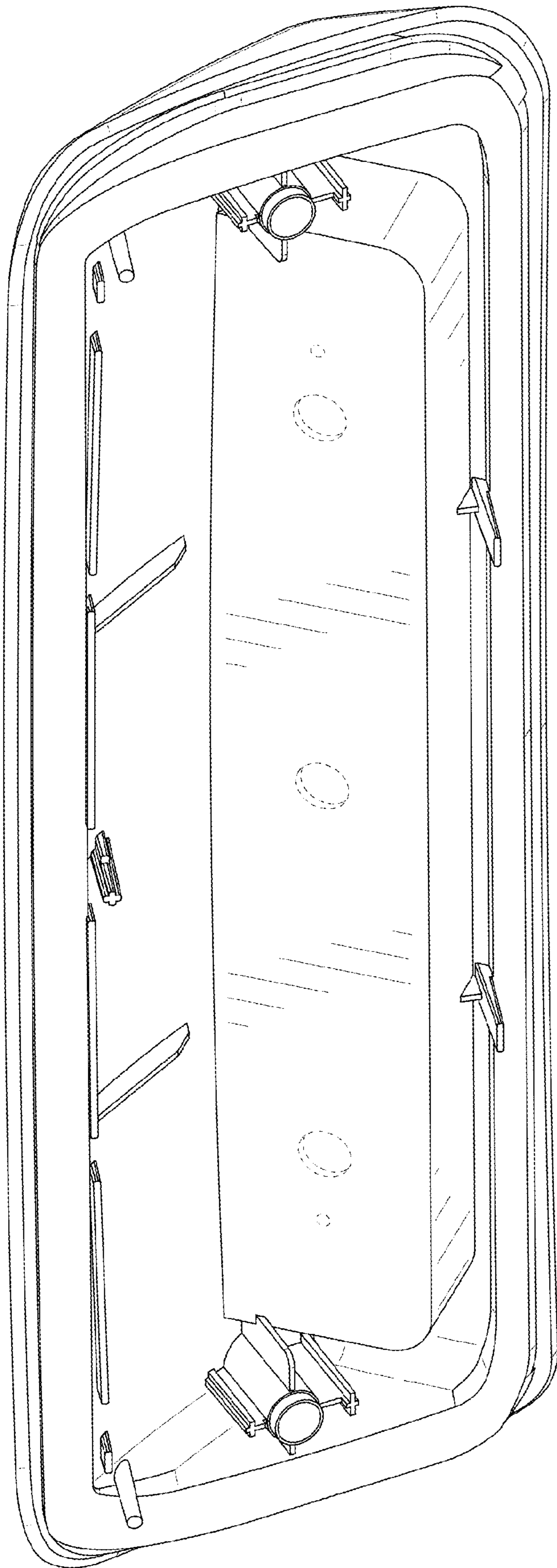


FIG. 2

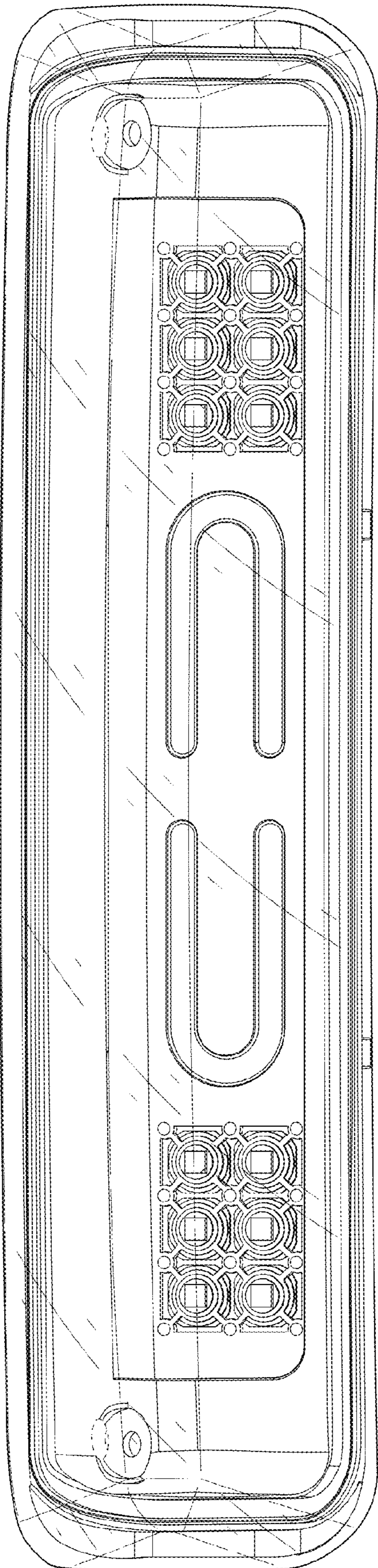


FIG. 3

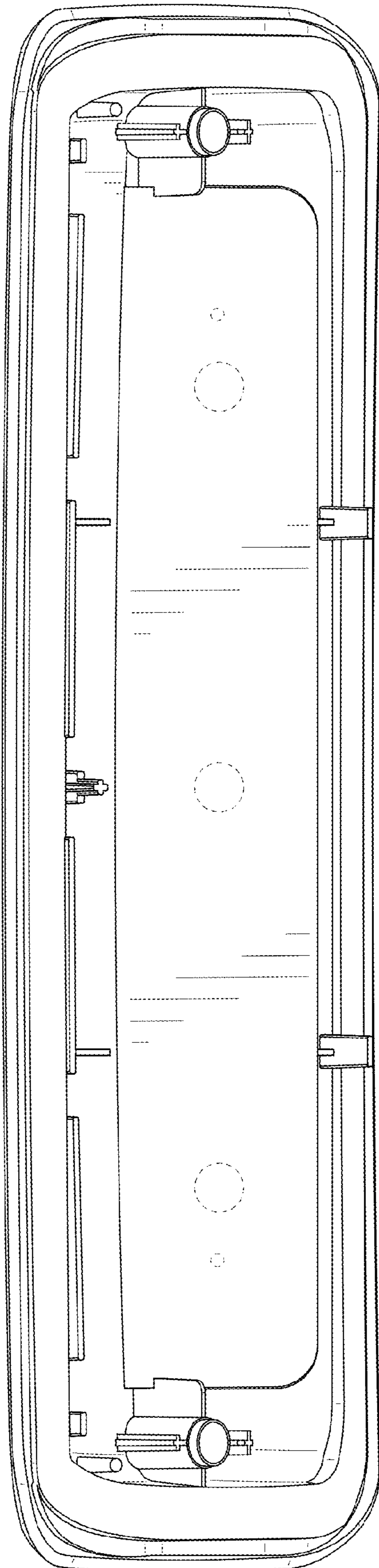


FIG. 4

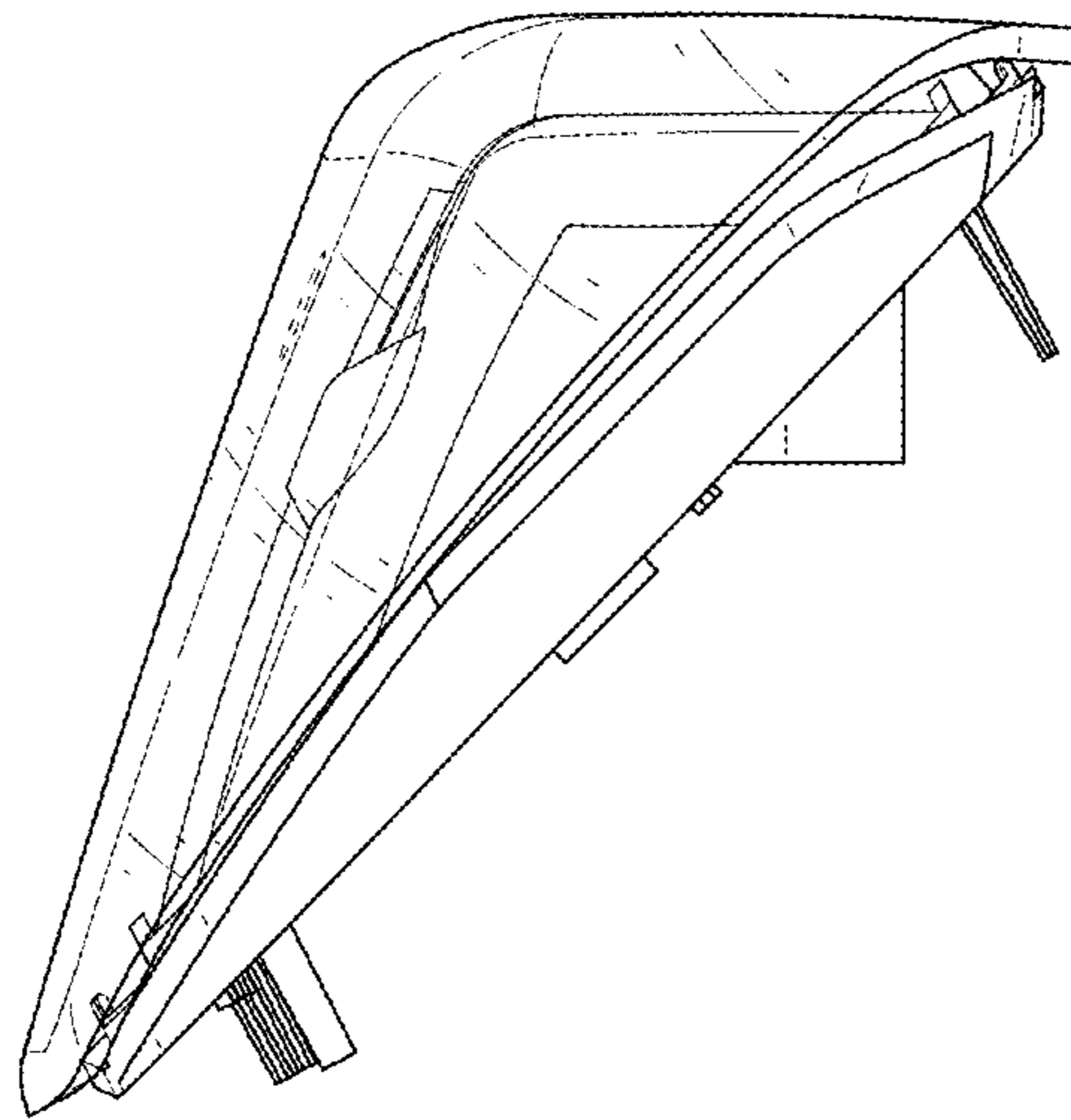


FIG. 5

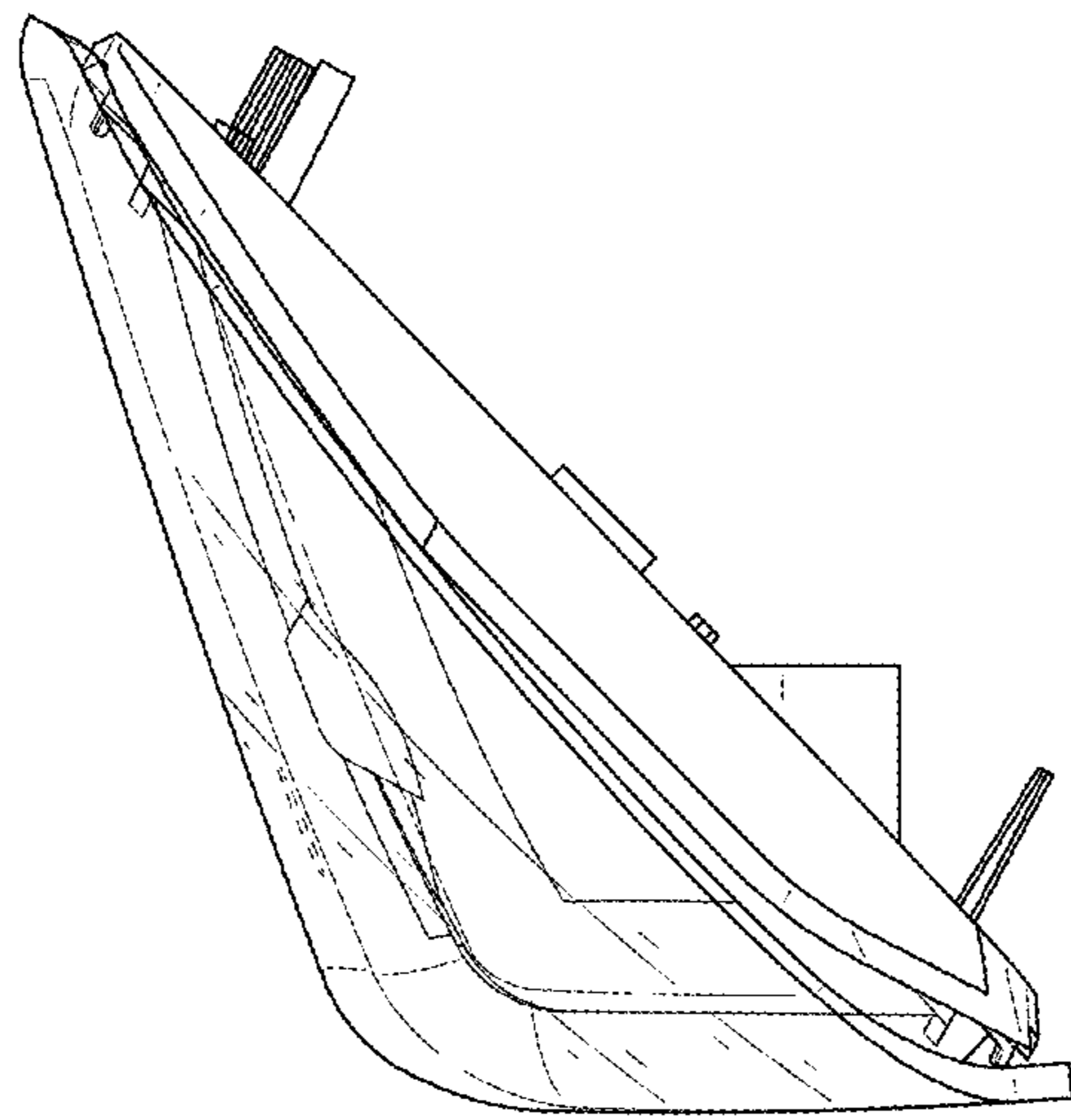


FIG. 6

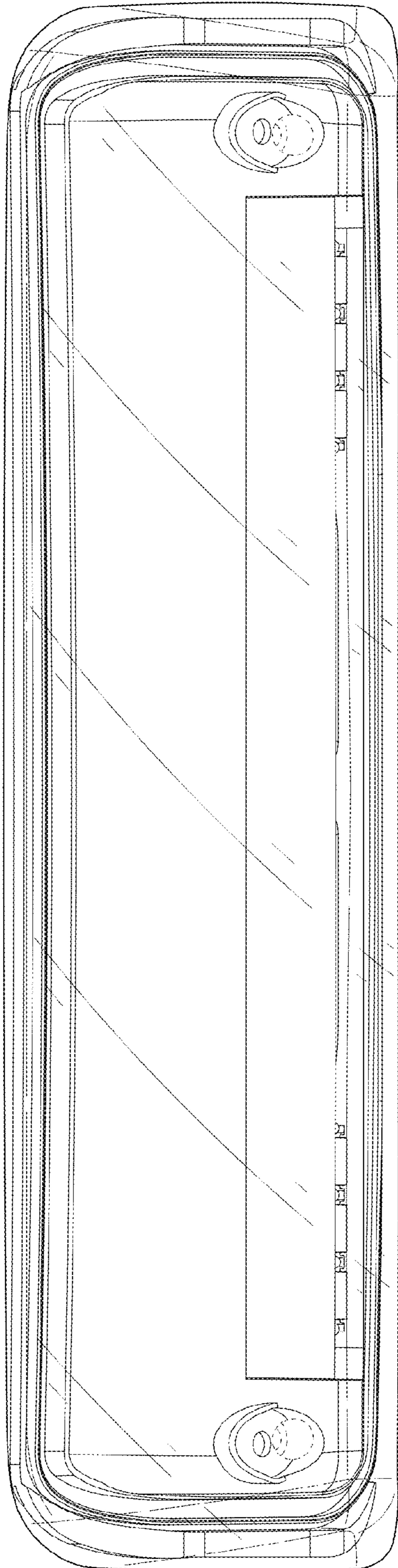


FIG. 7



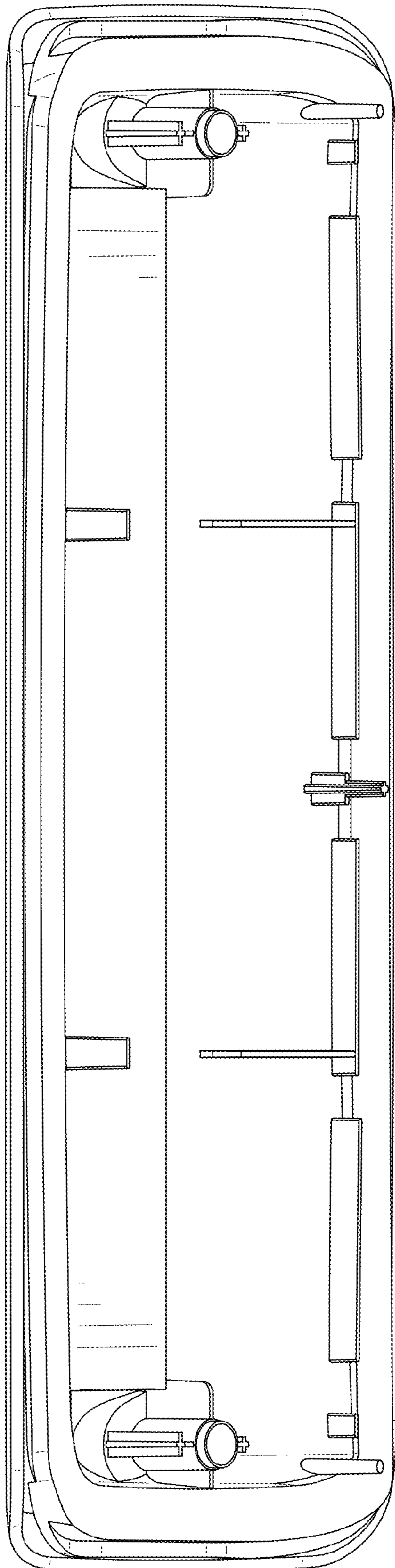


FIG. 8