



US00D957700S

(12) **United States Design Patent** (10) **Patent No.:** **US D957,700 S**
Wu (45) **Date of Patent:** **** Jul. 12, 2022**

(54) **BRAKE LIGHT**
(71) Applicant: **Fang Wu**, Yingcheng (CN)
(72) Inventor: **Fang Wu**, Yingcheng (CN)
(**) Term: **15 Years**
(21) Appl. No.: **29/750,547**
(22) Filed: **Sep. 15, 2020**
(51) **LOC (13) Cl.** **26-06**
(52) **U.S. Cl.**
USPC **D26/28**
(58) **Field of Classification Search**
USPC D26/28, 29, 30, 31, 32, 33, 34, 35, 36,
D26/139
CPC F21W 2103/35; F21W 2103/40; F21W
2102/17; F21W 2102/30; F21W 2103/00;
F21W 2103/55; F21W 2104/00; F21W
2107/17; F21W 2107/13; F21S 41/00;
F21S 41/141; F21S 41/162; F21S 41/18;
F21S 41/20; F21S 41/33; F21S 41/36;
F21S 41/60; F21S 43/00; F21S 43/15;
F21S 43/50; F21V 21/04
See application file for complete search history.

D870,939 S * 12/2019 Tseng D26/28
D889,710 S * 7/2020 Yeh D26/31
D890,375 S * 7/2020 Chen D26/28
D890,378 S * 7/2020 Chen D26/28
D890,964 S * 7/2020 Chen D26/28
D890,965 S * 7/2020 Chen D26/28
D890,966 S * 7/2020 Chen D26/28
D890,967 S * 7/2020 Chen D26/28
D890,968 S * 7/2020 Chen D26/28
D890,971 S * 7/2020 Chen D26/31
D919,142 S * 5/2021 Wu D26/31

* cited by examiner

Primary Examiner — Angela J Lee

(57) **CLAIM**

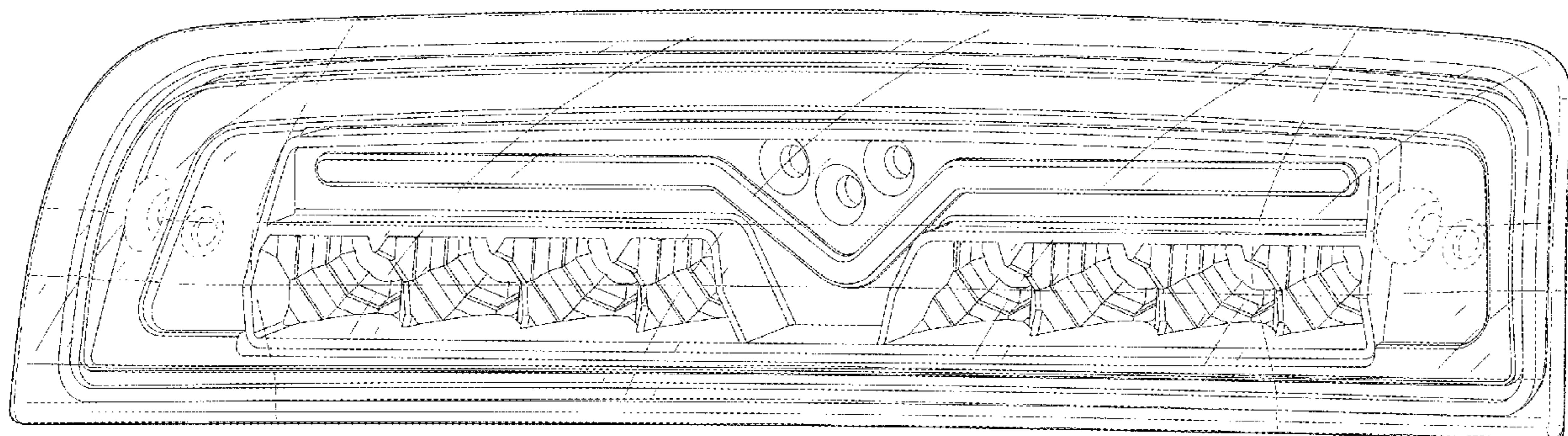
The ornamental design for a brake light, as shown and described.

DESCRIPTION

FIG. 1 is a perspective view of a brake light showing my new design;
FIG. 2 is another perspective view thereof;
FIG. 3 is a front elevational view thereof;
FIG. 4 is a rear elevational view thereof;
FIG. 5 is a left side elevational view thereof;
FIG. 6 is a right side elevational view thereof;
FIG. 7 is a top plan view thereof; and,
FIG. 8 is a bottom plan view thereof.
The broken lines in the drawings depict portions of the brake light that form no part of the claimed design.

1 Claim, 8 Drawing Sheets

(56) **References Cited**
U.S. PATENT DOCUMENTS
D690,852 S * 10/2013 Cooney D26/28
D799,081 S * 10/2017 Lin D26/28



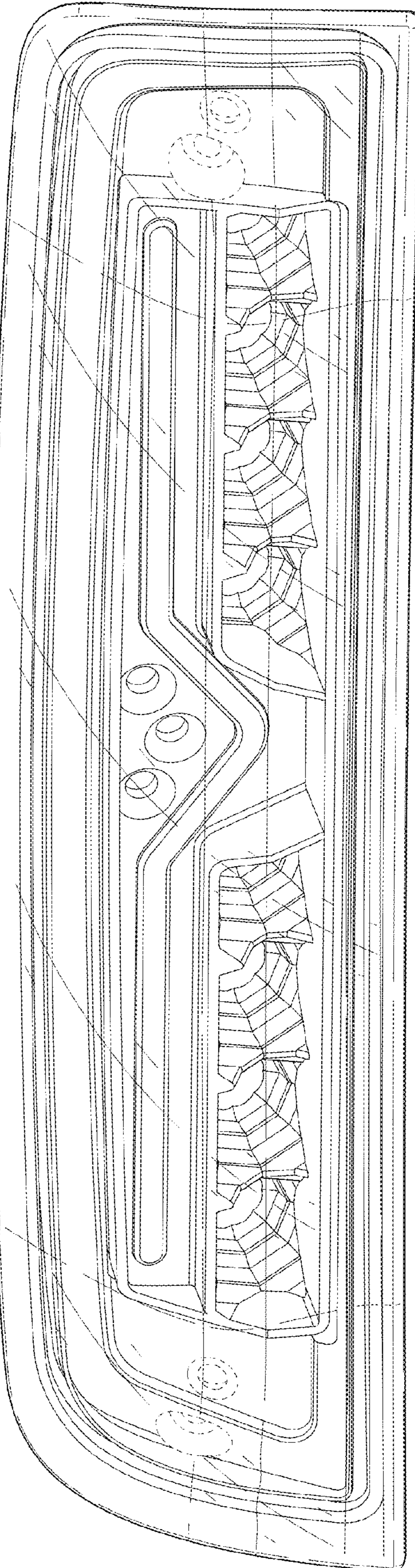


FIG. 1

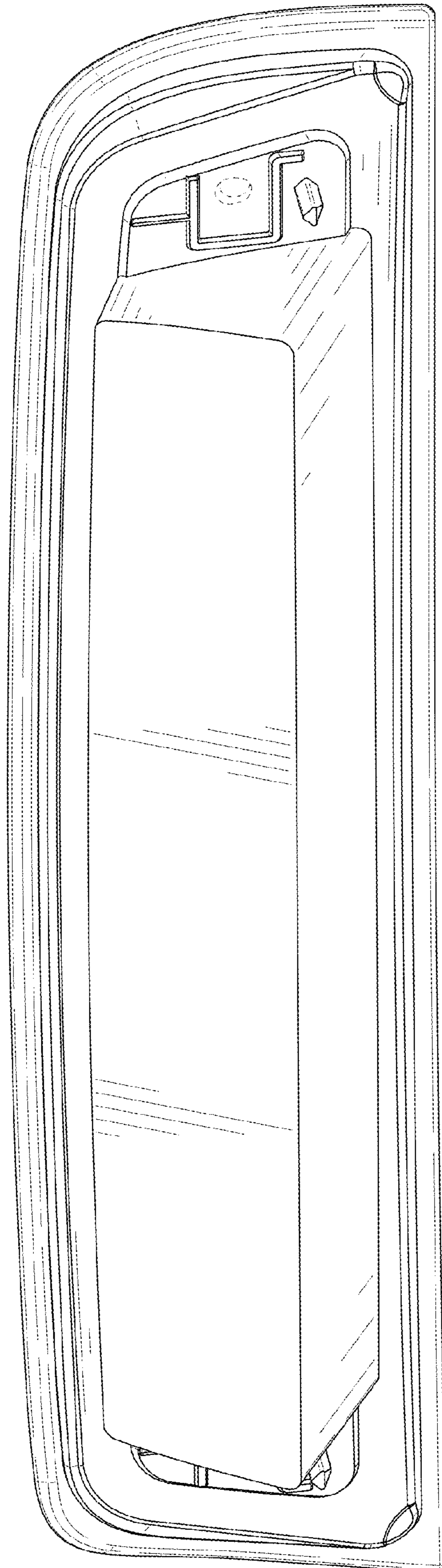


FIG. 2

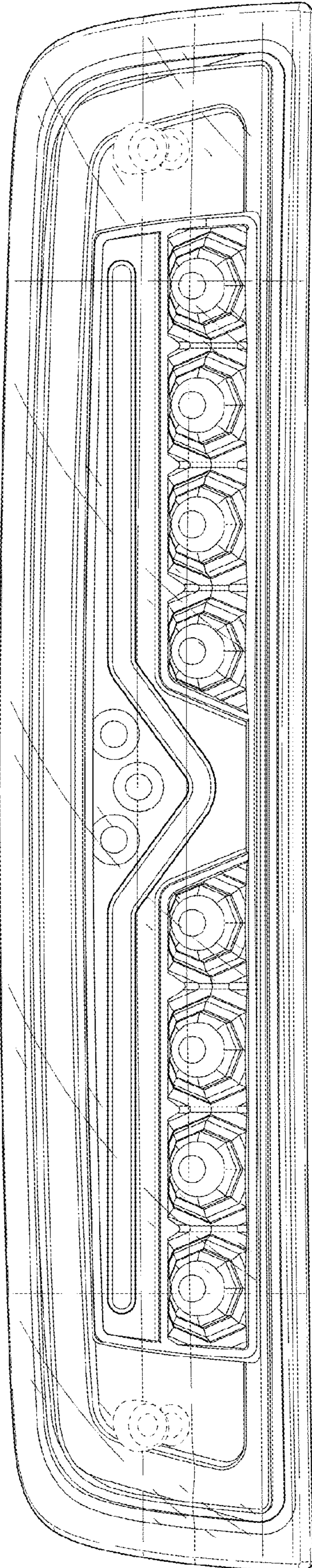


FIG. 3

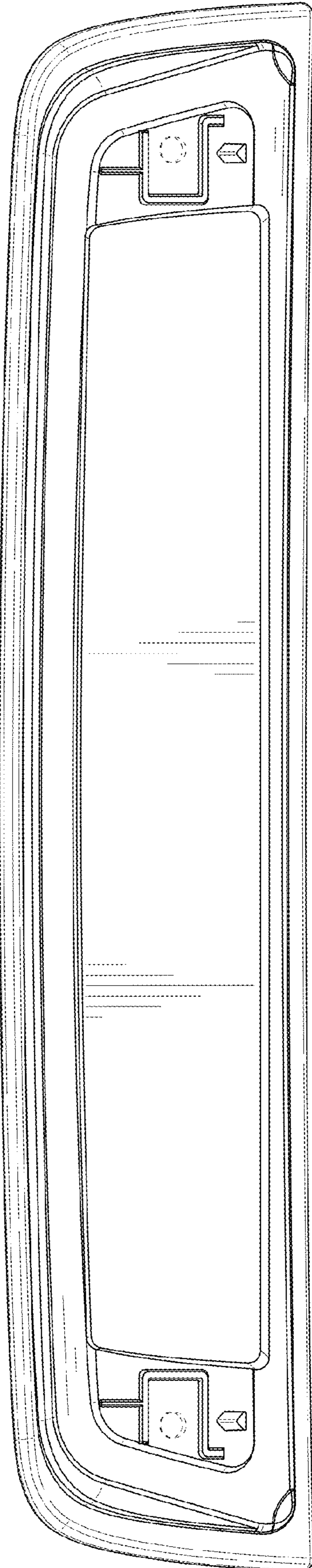


FIG. 4

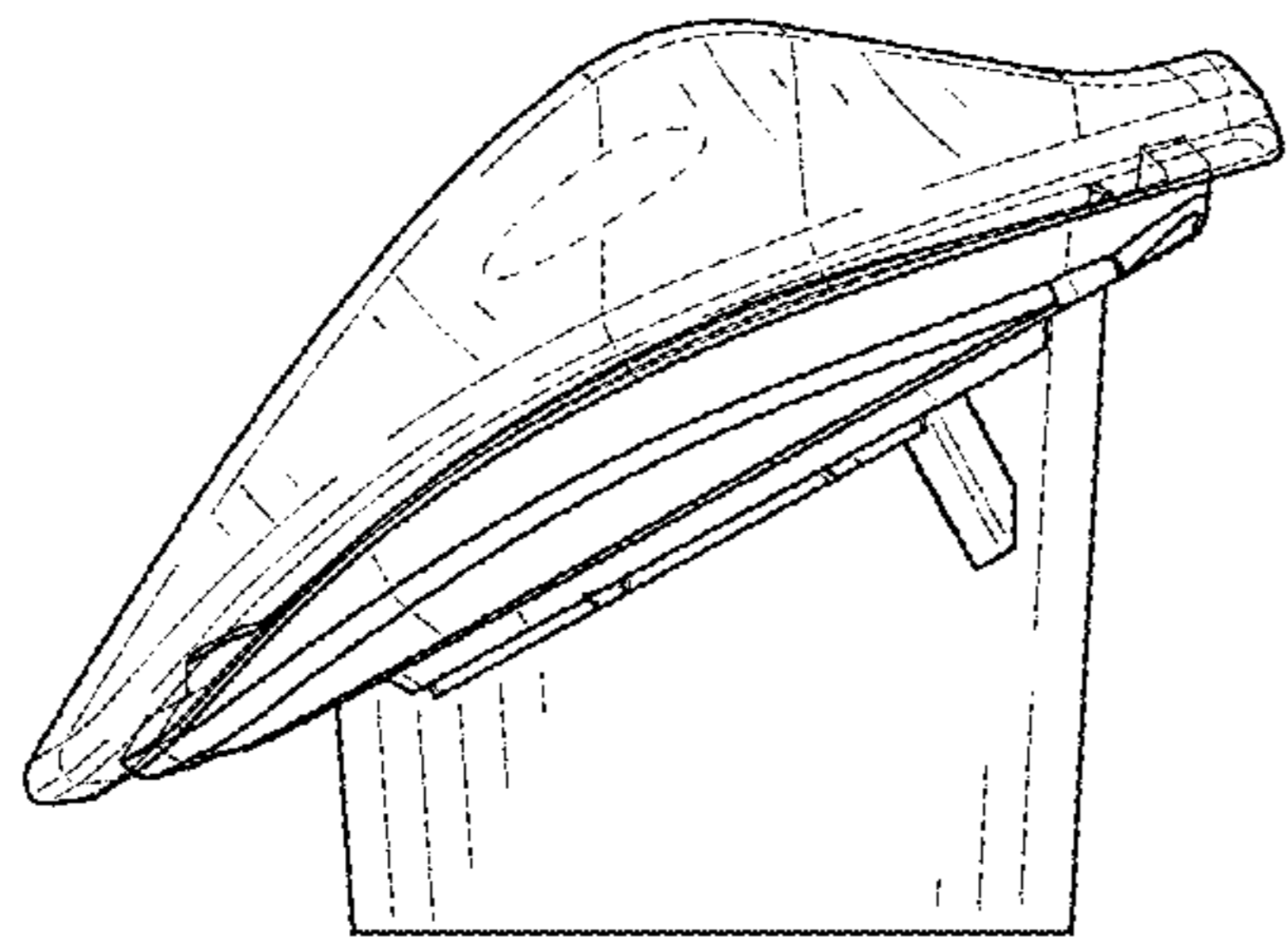


FIG. 5

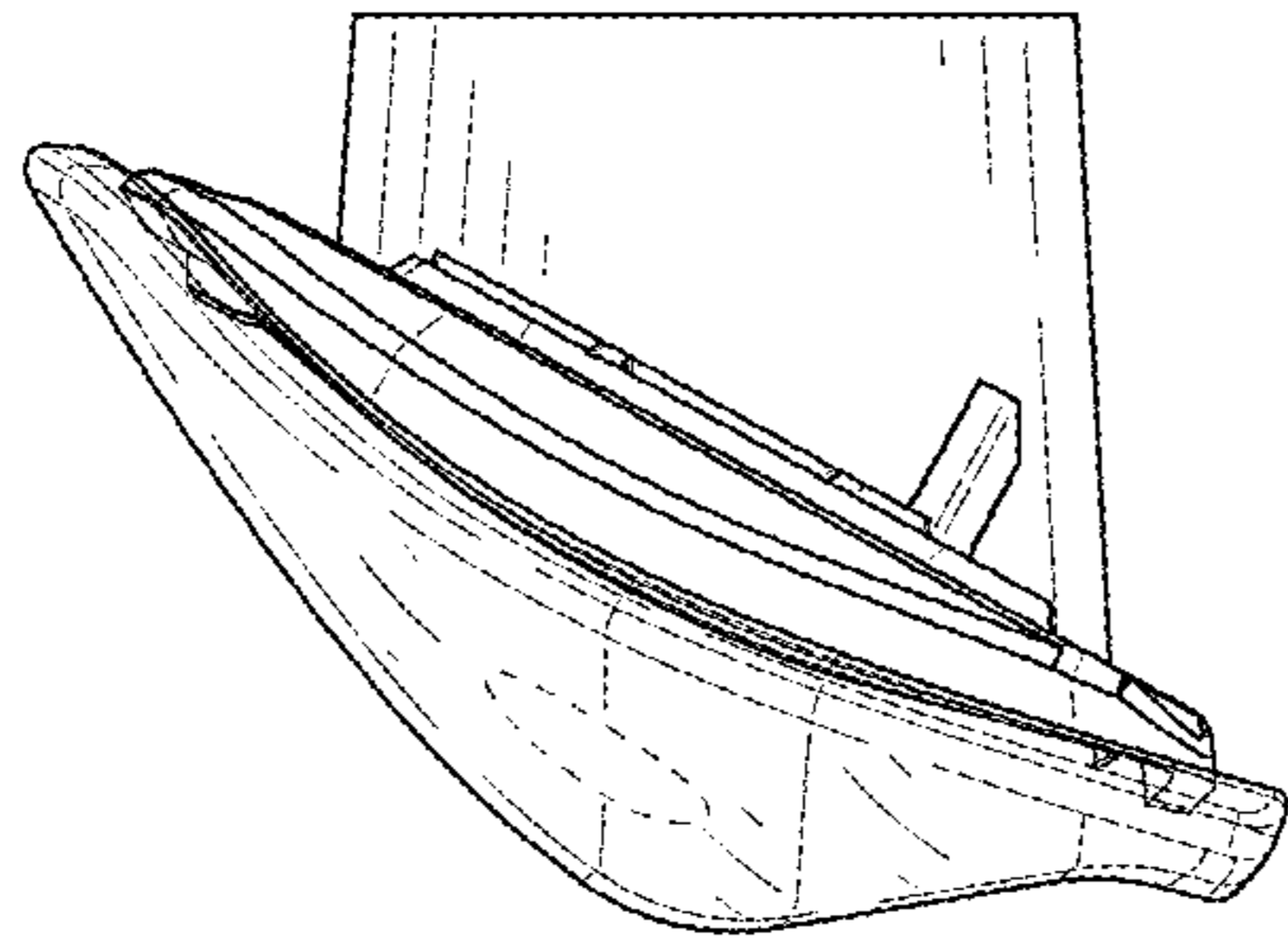


FIG. 6

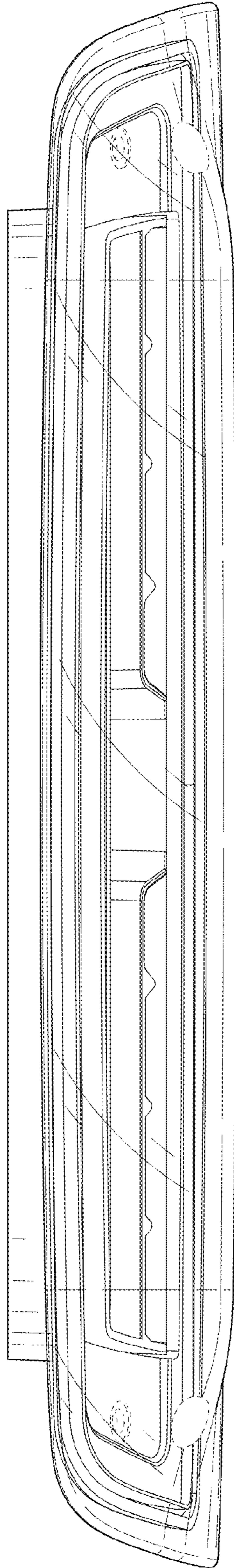


FIG. 7

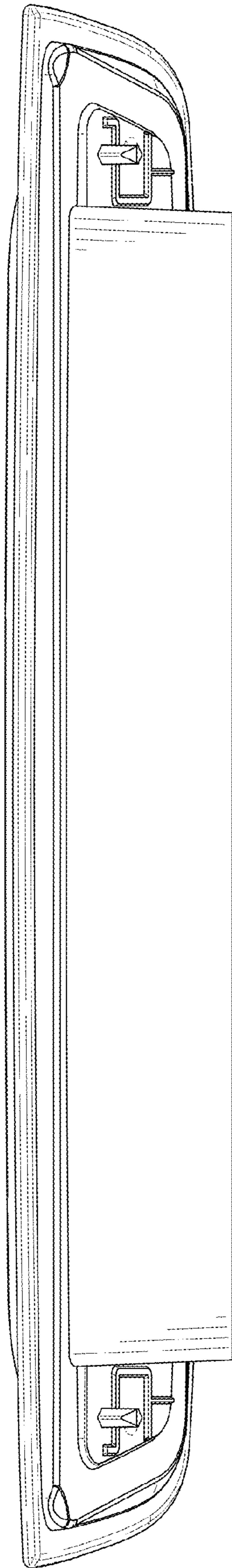


FIG. 8