



US00D957699S

(12) **United States Design Patent**
Shirota

(10) **Patent No.:** **US D957,699 S**
(45) **Date of Patent:** **** Jul. 12, 2022**

(54) **LIGHT**
(71) Applicant: **Cateye Co., Ltd.**, Osaka (JP)
(72) Inventor: **Ryuya Shirota**, Osaka (JP)
(73) Assignee: **CATEYE CO., LTD.**, Osaka (JP)
(**) Term: **15 Years**
(21) Appl. No.: **29/702,508**
(22) Filed: **Aug. 20, 2019**

D783,188 S * 4/2017 Espejo D26/28
D784,575 S * 4/2017 Kawakami D26/28
D825,794 S * 8/2018 Zheng D26/28

FOREIGN PATENT DOCUMENTS

JP D1481724 10/2013
JP D1614789 10/2018
KR 30-2010-0000094 S 2/2010
TW D150473 11/2012
TW D193089 9/2018
TW D197151 4/2019

(30) **Foreign Application Priority Data**

Feb. 21, 2019 (JP) 2019-003483

(51) **LOC (13) Cl.** **26-06**

(52) **U.S. Cl.**
USPC **D26/28**

(58) **Field of Classification Search**
USPC D26/28-36, 139
CPC F21S 48/00; F21S 48/10; F21S 48/115;
F21S 48/225; F21S 48/1233; F21S
48/1266; F21S 48/1388; F21S 48/2268;
F21V 5/00; F21V 21/04; F21V 29/004;
F21W 2102/17; F21W 2103/35; F21W
2102/30; F21W 2103/00; F21W 2103/55;
F21W 2104/00; F21W 2107/13; F21W
2107/17

See application file for complete search history.

(56) **References Cited**

U.S. PATENT DOCUMENTS

D541,447 S * 4/2007 Ueda D26/28
D717,979 S * 11/2014 Ueda D26/28
D733,342 S * 6/2015 Lee D26/28
D733,948 S * 7/2015 Liao D26/60
D757,311 S * 5/2016 Nagano D26/60
D780,349 S * 2/2017 Cutrone D26/28

OTHER PUBLICATIONS

Notice of Allowance issued in Taiwanese Design Application No. 108304934 dated Nov. 20, 2019.
Cycle Goods Catalog 2009/2010, 5pages (Japan Patent Office, Design Department, known document No. HC21022836) (see JP OA).

(Continued)

Primary Examiner — Marcus A Jackson
(74) *Attorney, Agent, or Firm* — Morgan, Lewis & Bockius LLP

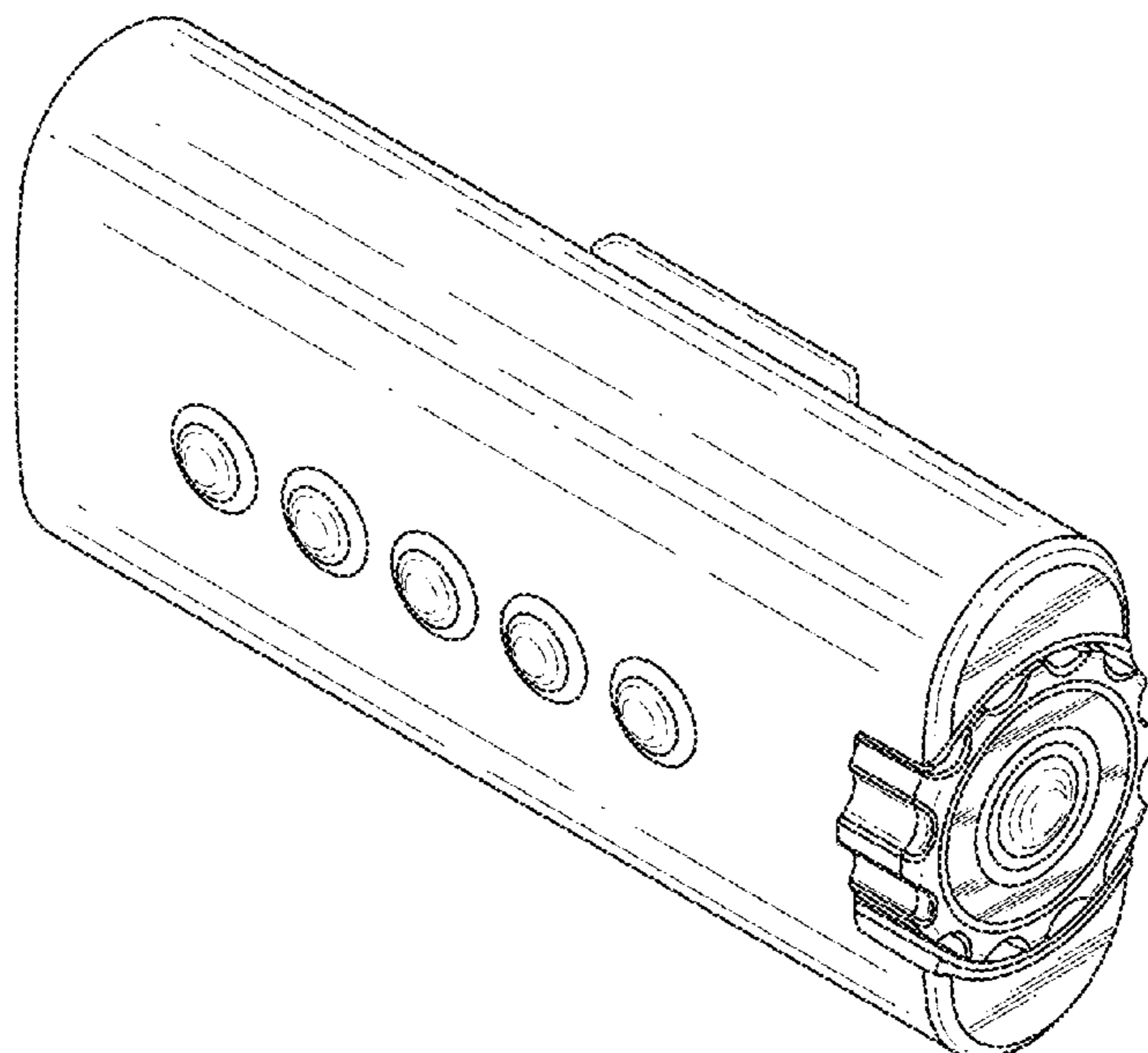
(57) **CLAIM**

The ornamental design for a light, as shown.

DESCRIPTION

FIG. 1 is a perspective view of a light showing my new design;
FIG. 2 is a front elevational view thereof;
FIG. 3 is a rear elevational view thereof;
FIG. 4 is a right side view thereof;
FIG. 5 is a left side view thereof;
FIG. 6 is a top plan view thereof; and,
FIG. 7 is a bottom plan view thereof.

1 Claim, 4 Drawing Sheets



(56)

References Cited

OTHER PUBLICATIONS

Cycle+book 2017, jitensha p. 395 (Japan Patent Office, Design Department, known document No. HC28018578 and HC28018579) (see JP OA).

Website of Groberide, Inc.(Japan Patent Office, Design Department, known document No. HJ22065723) (2020) (see JP OA).

Website of Cannondale Bicycle Corporation (Japan Patent Office, Design Department, known document, HJ28053666 (2020) (see JP OA).

Website of Lumica Corporation, (Japan Patent Office, Design Department, known document No. HJ29040729) (2020) see JP OA).

Office Action issued in counterpart Japanese Patent Application No. 2019-003483 dated Feb. 18, 2020.

* cited by examiner

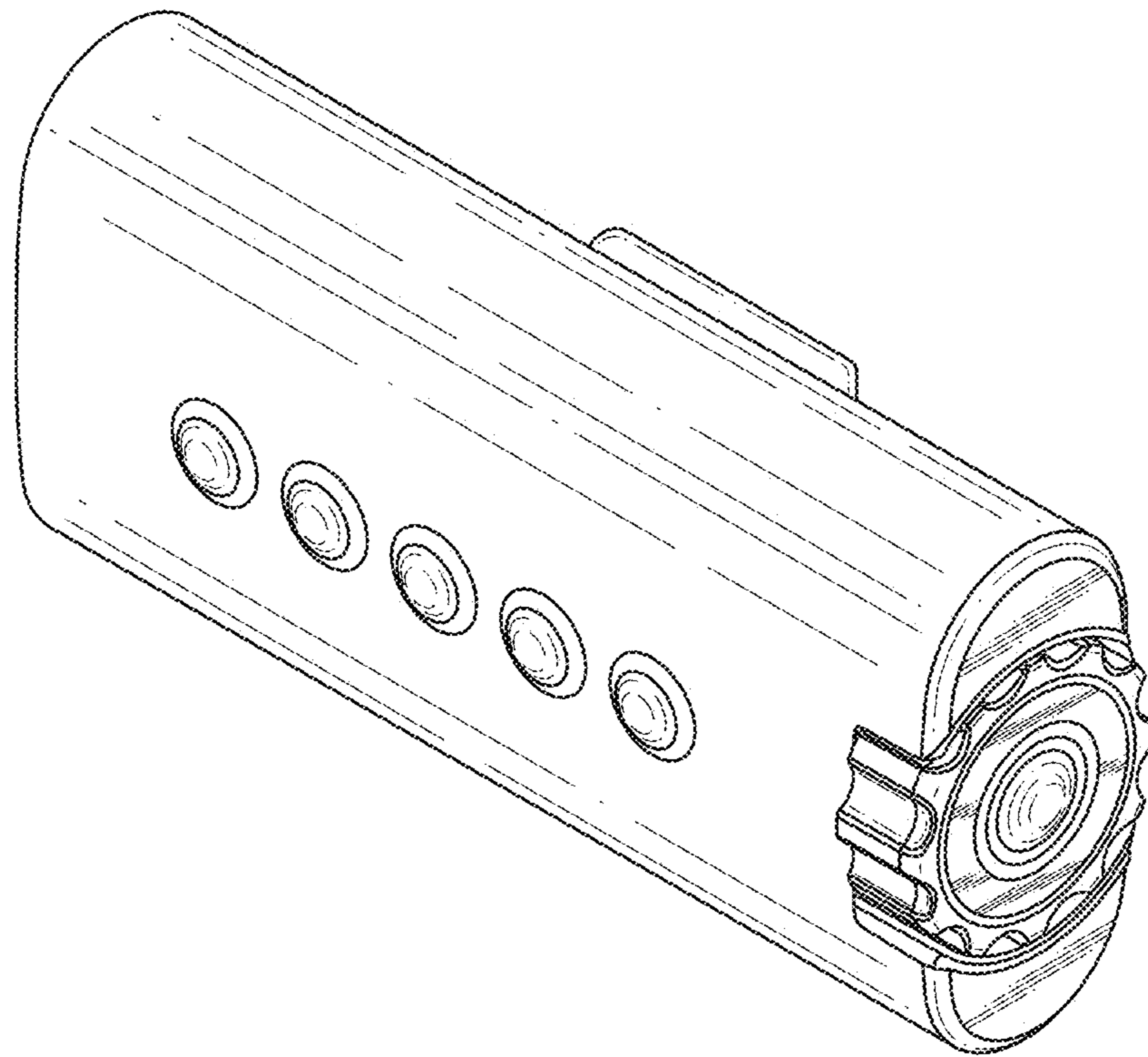


Fig. 1

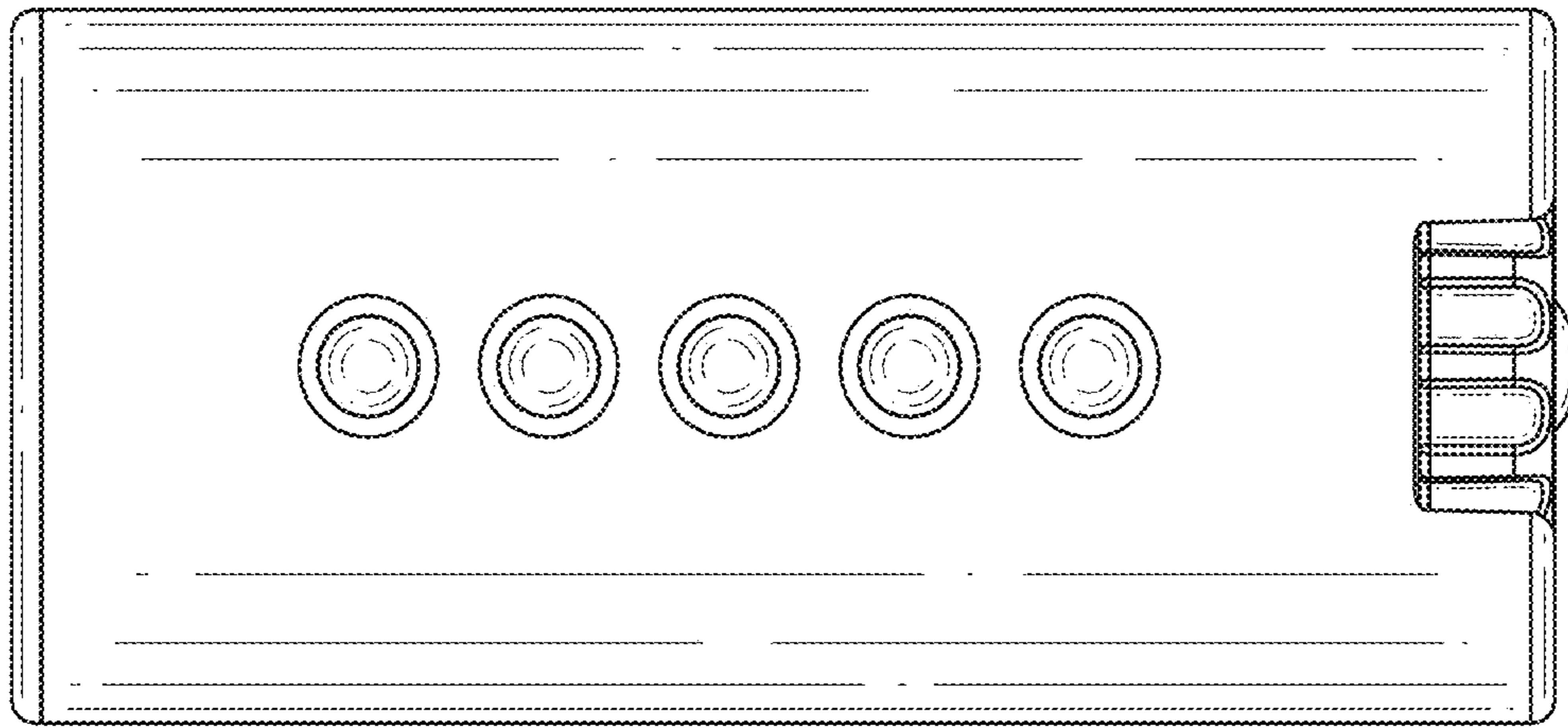


Fig. 2

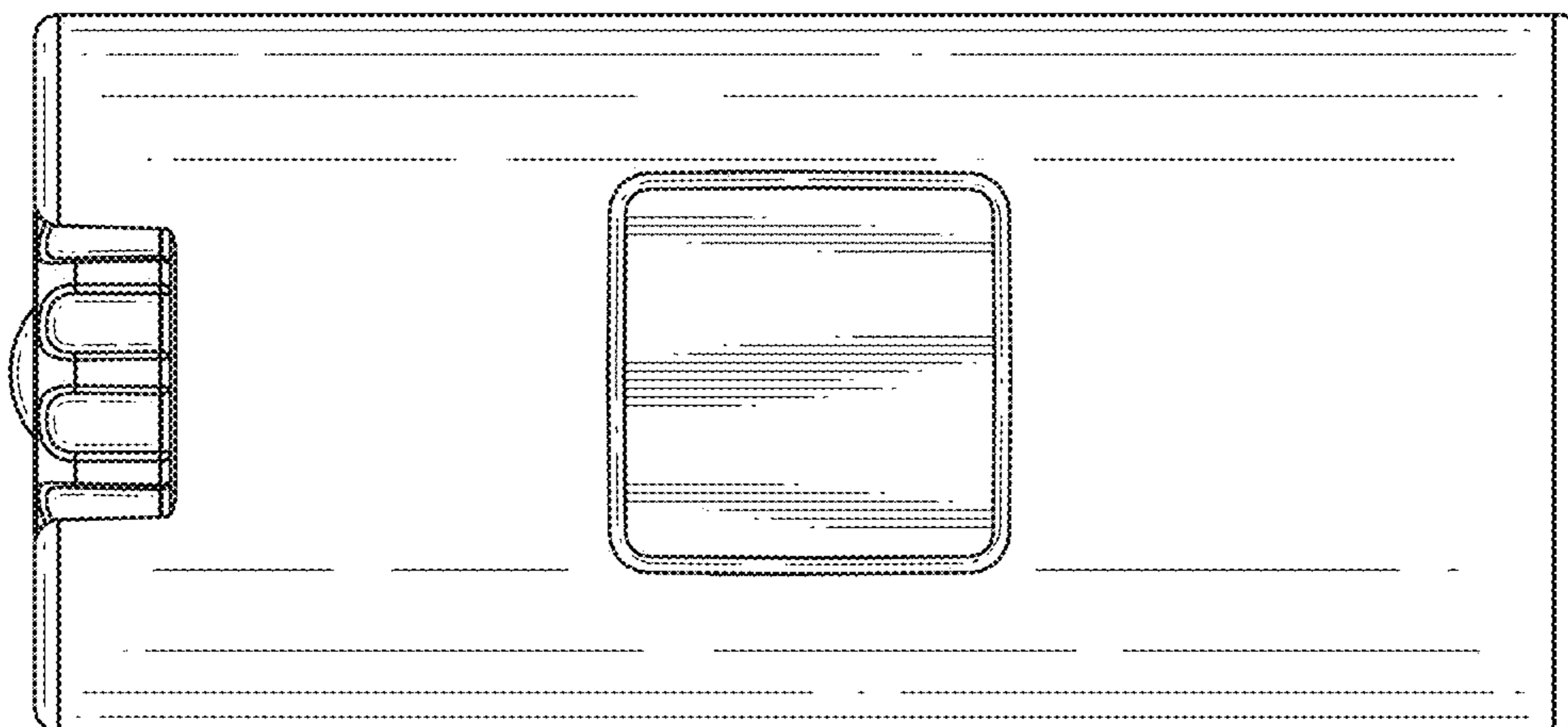


Fig. 3

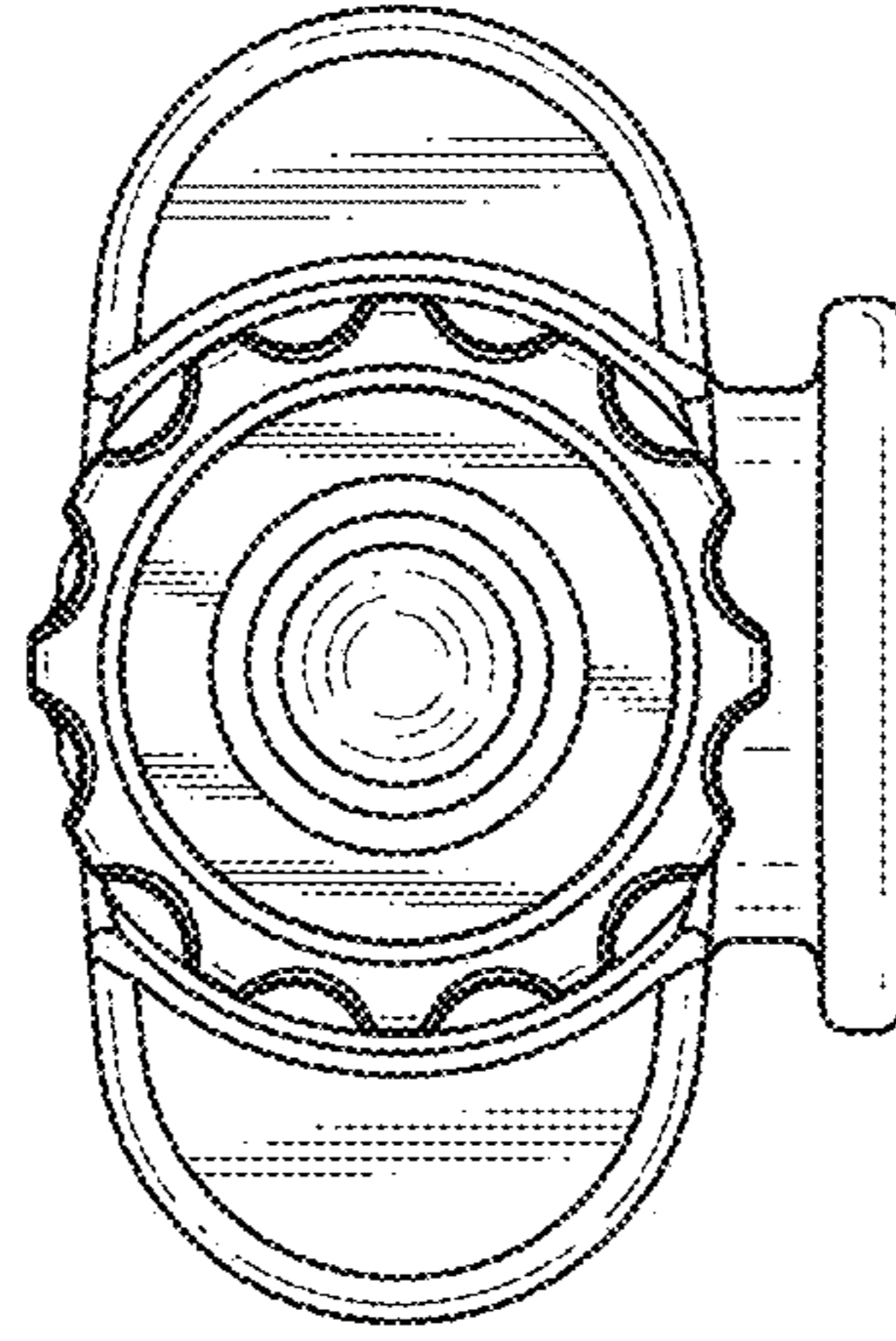


Fig. 4

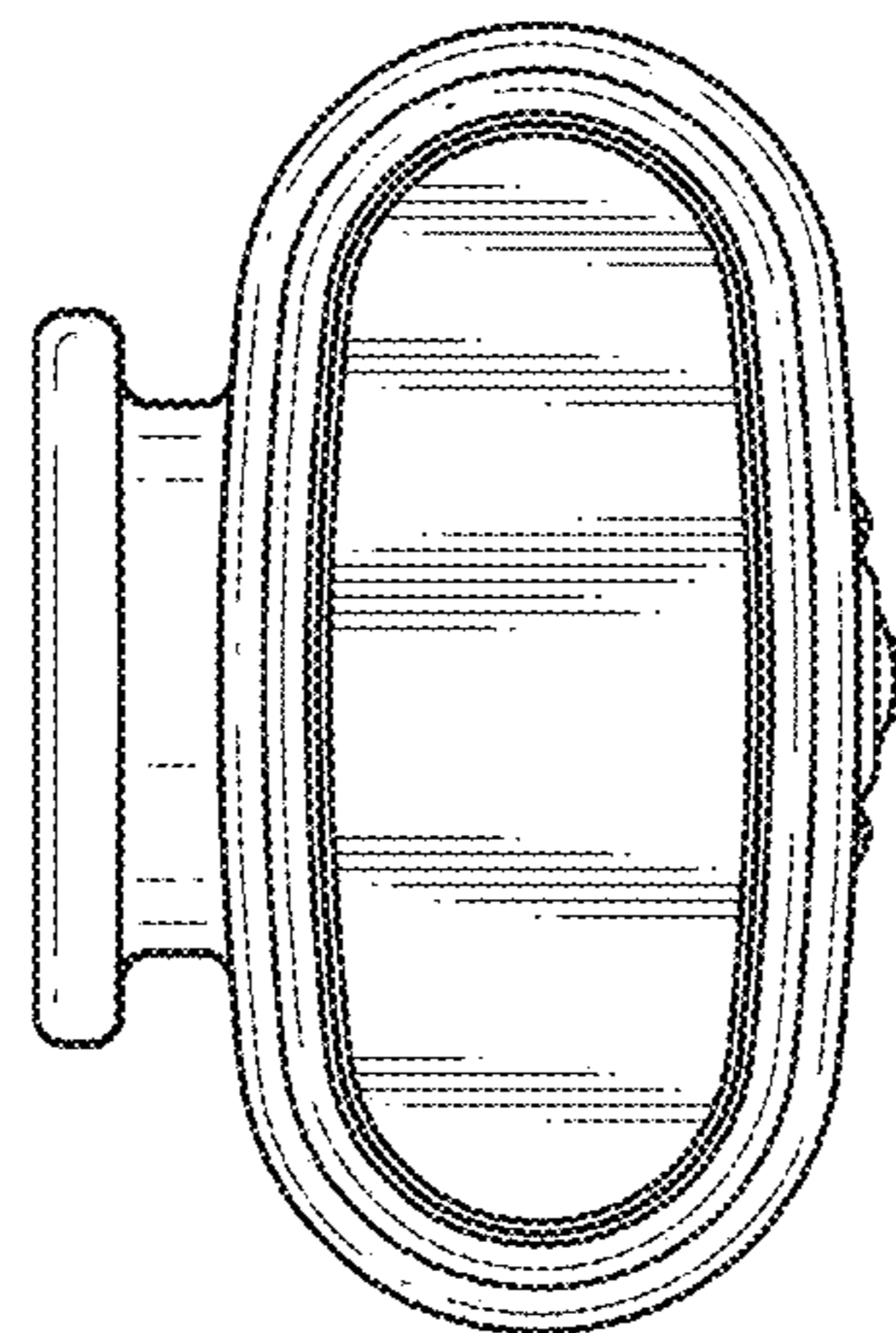


Fig. 5

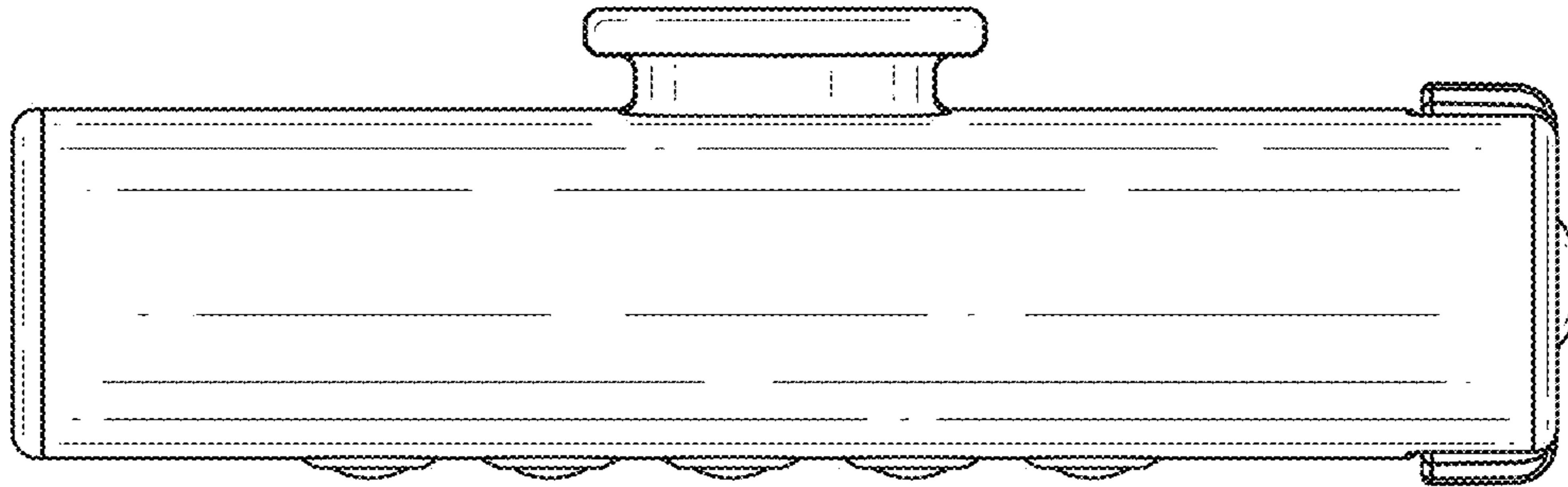


Fig. 6

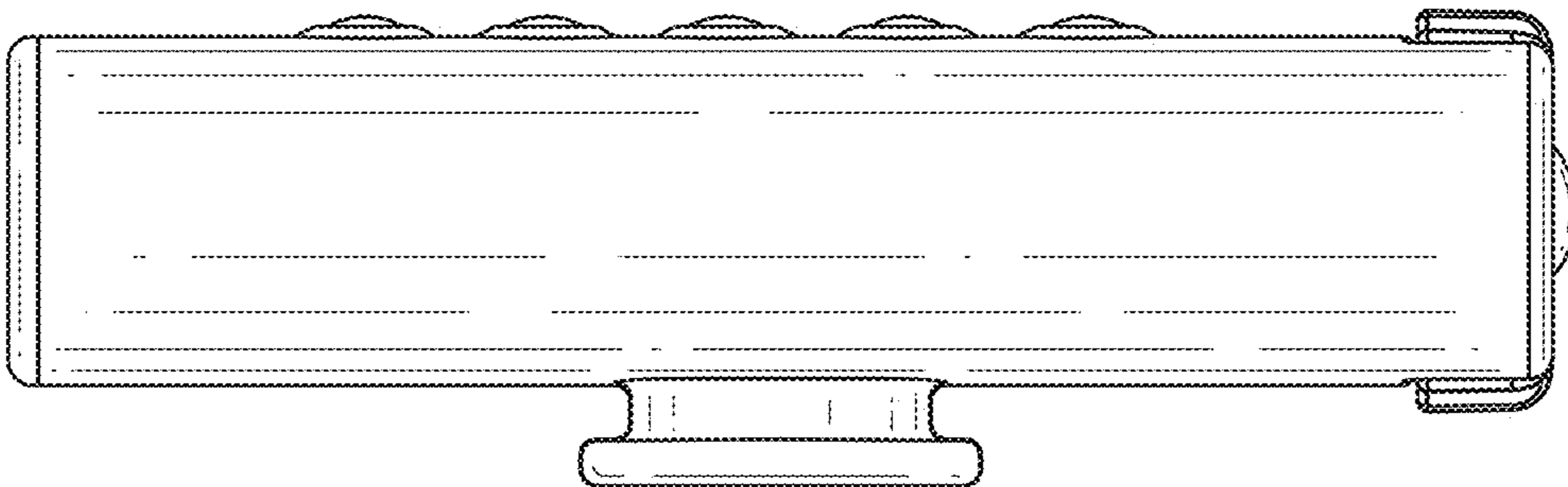


Fig. 7