



US00D957698S

(12) **United States Design Patent**
Wang

(10) **Patent No.:** **US D957,698 S**
(45) **Date of Patent:** **** Jul. 12, 2022**

(54) **LED LIGHT**

(71) Applicant: **Suquan Wang**, Hangzhou (CN)

(72) Inventor: **Suquan Wang**, Hangzhou (CN)

(**) Term: **15 Years**

(21) Appl. No.: **29/795,950**

(22) Filed: **Jun. 22, 2021**

(51) **LOC (13) Cl.** **26-04**

(52) **U.S. Cl.**
USPC **D26/25**

(58) **Field of Classification Search**
USPC D26/1, 24, 25, 27, 40-44, 90, 113
CPC F21S 8/00; F21S 8/026; F21S 8/038; F21S
8/06; F21S 8/061; F21S 8/063; F21S
8/065; F21S 8/068; F21S 4/00; F21S
4/10; F21S 4/15; F21S 4/20; F21S 4/22;
F21S 4/24; F21S 4/26; F21S 4/28
See application file for complete search history.

(56) **References Cited**

U.S. PATENT DOCUMENTS

D406,667 S *	3/1999	Byers	D11/124
D459,009 S	6/2002	Chang et al.		
D889,696 S *	7/2020	Cao	D26/25
D917,083 S *	4/2021	Lamp	D26/25
D918,441 S	5/2021	Liu		
D925,783 S *	7/2021	Xiao	D26/25
D935,648 S *	11/2021	Shi	D26/25
11,287,090 B2 *	3/2022	Krames	F21V 29/70
2011/0122625 A1 *	5/2011	Carone	F21S 4/10 362/249.14

OTHER PUBLICATIONS

Crown Shaped Decorative Lights, SHEIN, https://us.shein.com/Crown-Shaped-Decorative-Light-p-2547430-cat-2291.html?url_from=adplashlamp18210421742one-size&gclid=EAlalQobChMI2cbDv67a9wIVQo5bCh0ciAVeEAQYAiABEgIMMfD_BwE, May 8, 2021 (Year: 2021).*

* cited by examiner

Primary Examiner — Richard Kearney
Assistant Examiner — Benjamin M Weeks

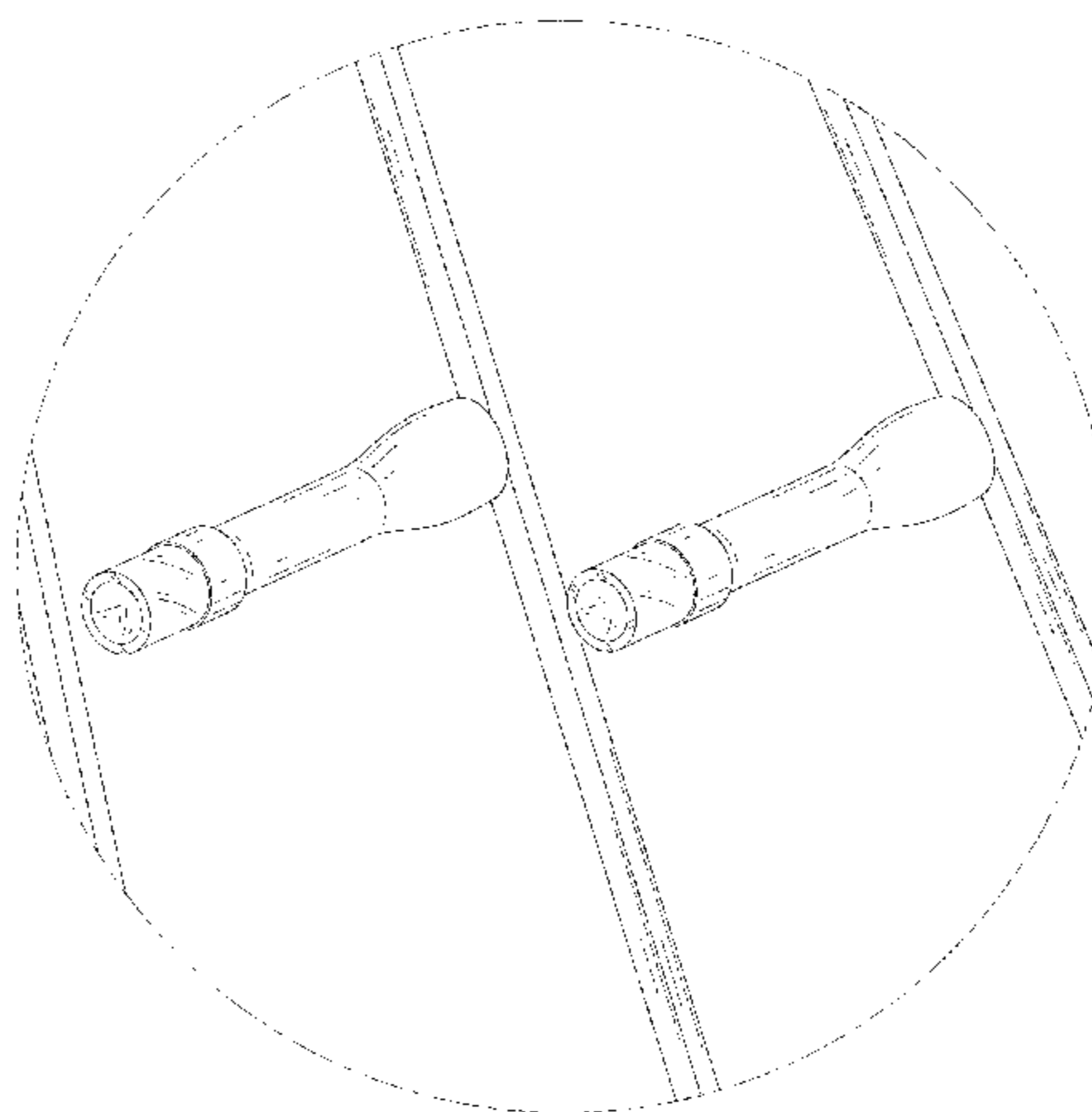
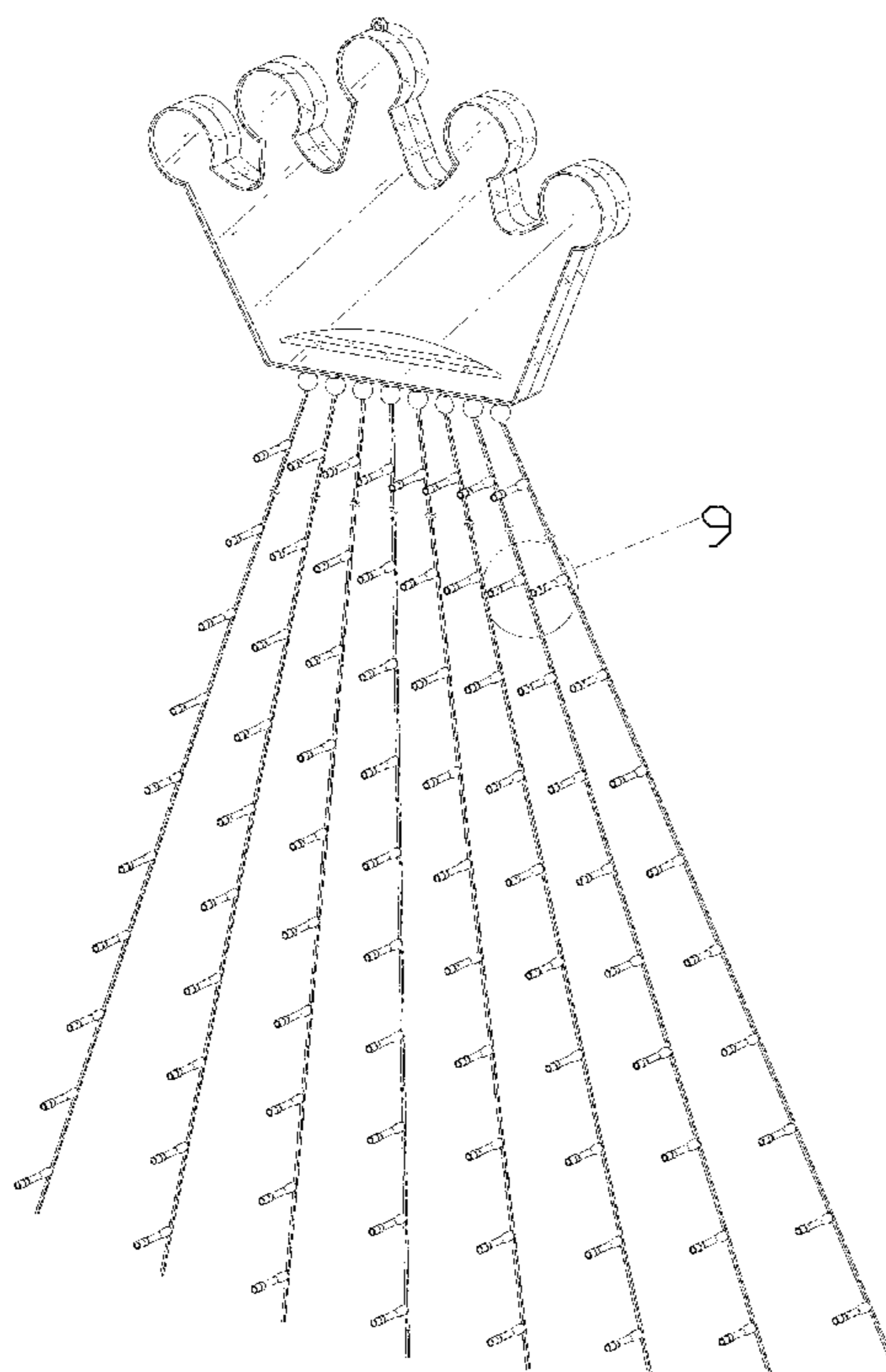
(57) **CLAIM**

The ornamental design for an LED light, as shown and described.

DESCRIPTION

FIG. 1 is a perspective view of an LED light showing my new design;
FIG. 2 is another perspective view thereof;
FIG. 3 is a front elevational view thereof;
FIG. 4 is a rear elevational view thereof;
FIG. 5 is a left side elevational view thereof;
FIG. 6 is a right side elevational view thereof;
FIG. 7 is a top plan view thereof;
FIG. 8 is a bottom plan view thereof; and,
FIG. 9 is an enlarged view of portion 9 shown in FIG. 1.
The broken lines in the drawings depict portions of the LED light that form no part of the claimed design. The LED light is shown with symbolic breaks in its length and the appearance of any portion of the LED light between the break lines form no part of the claimed design.

1 Claim, 9 Drawing Sheets



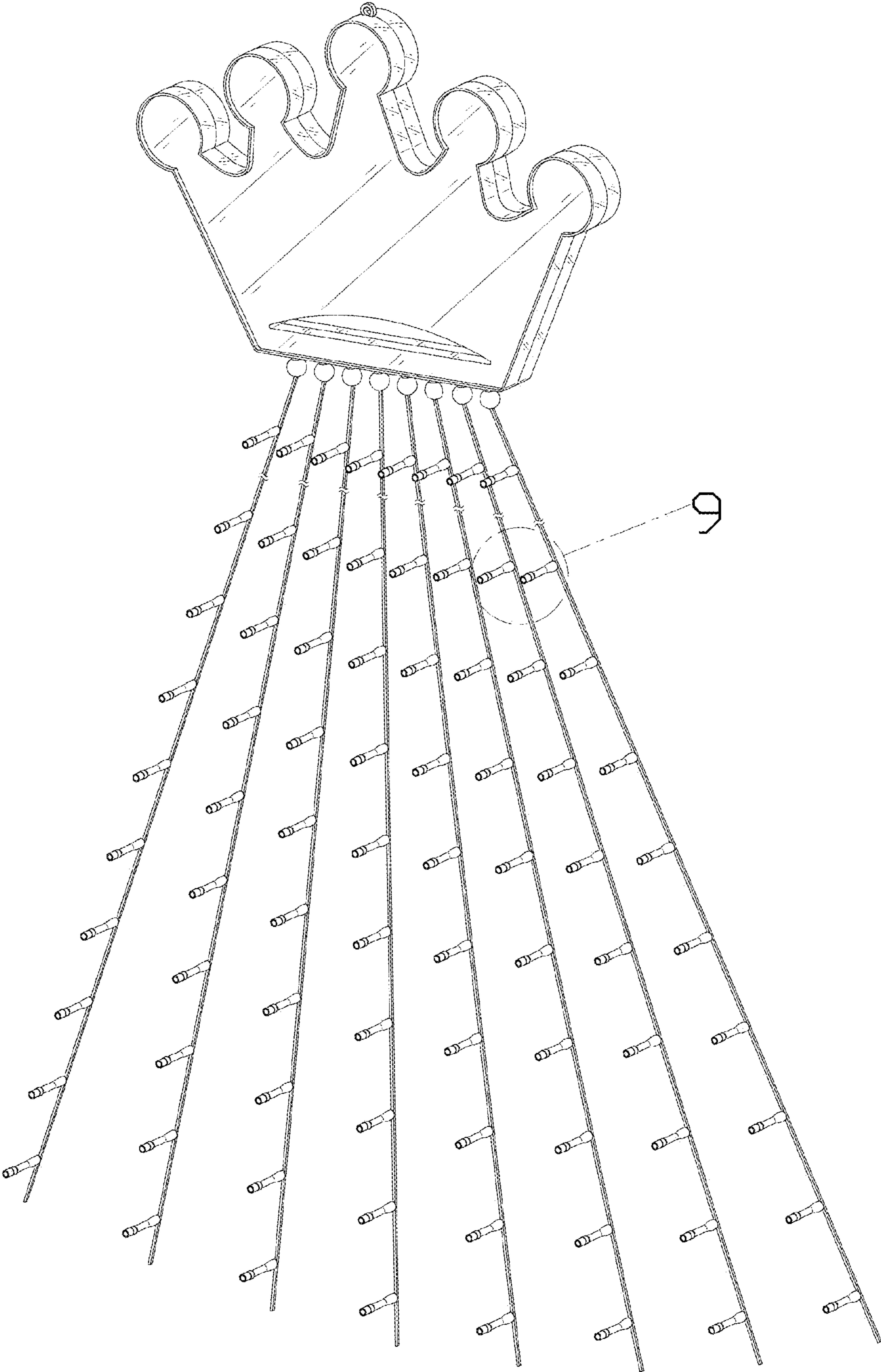


FIG. 1

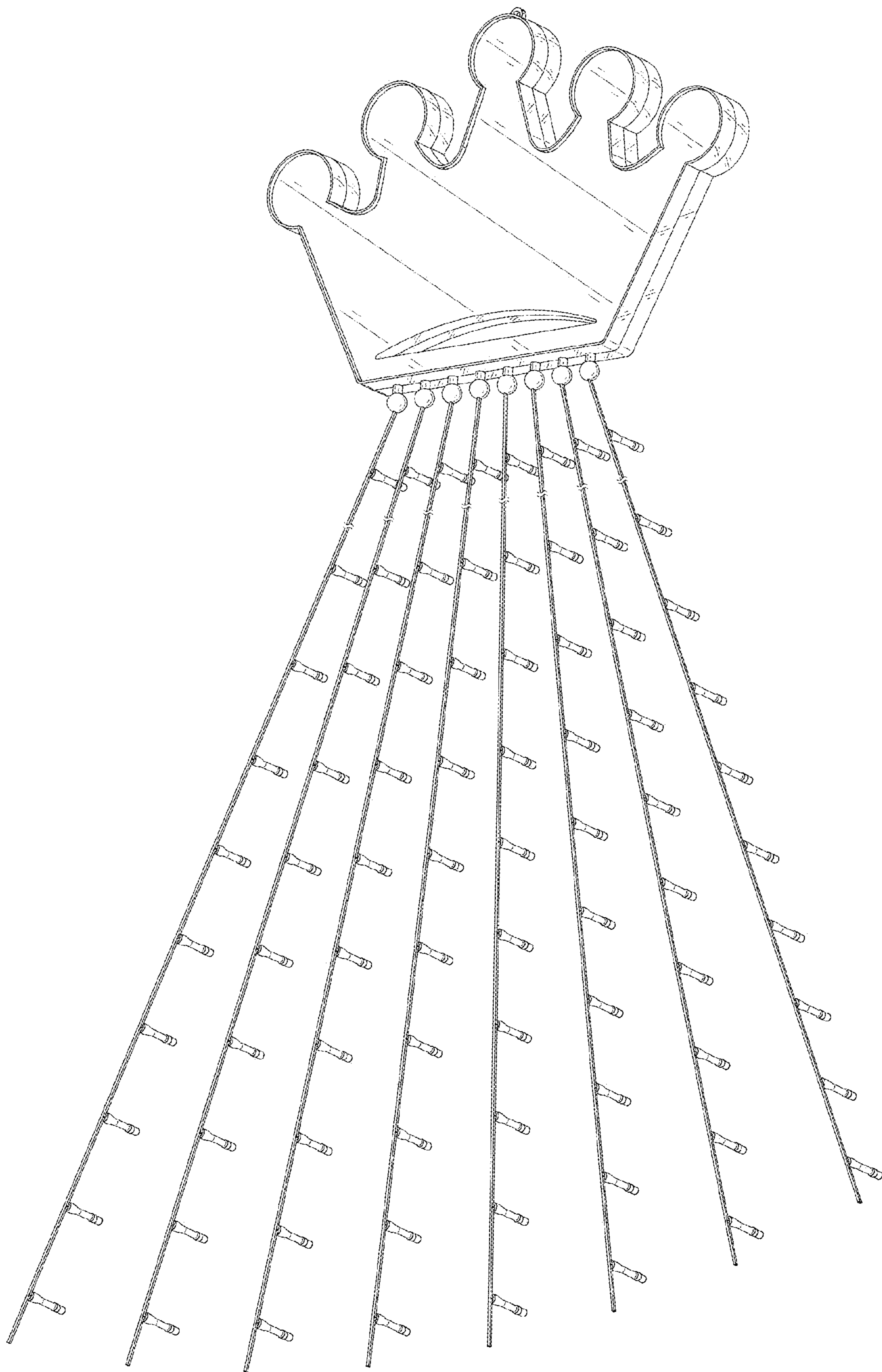


FIG. 2

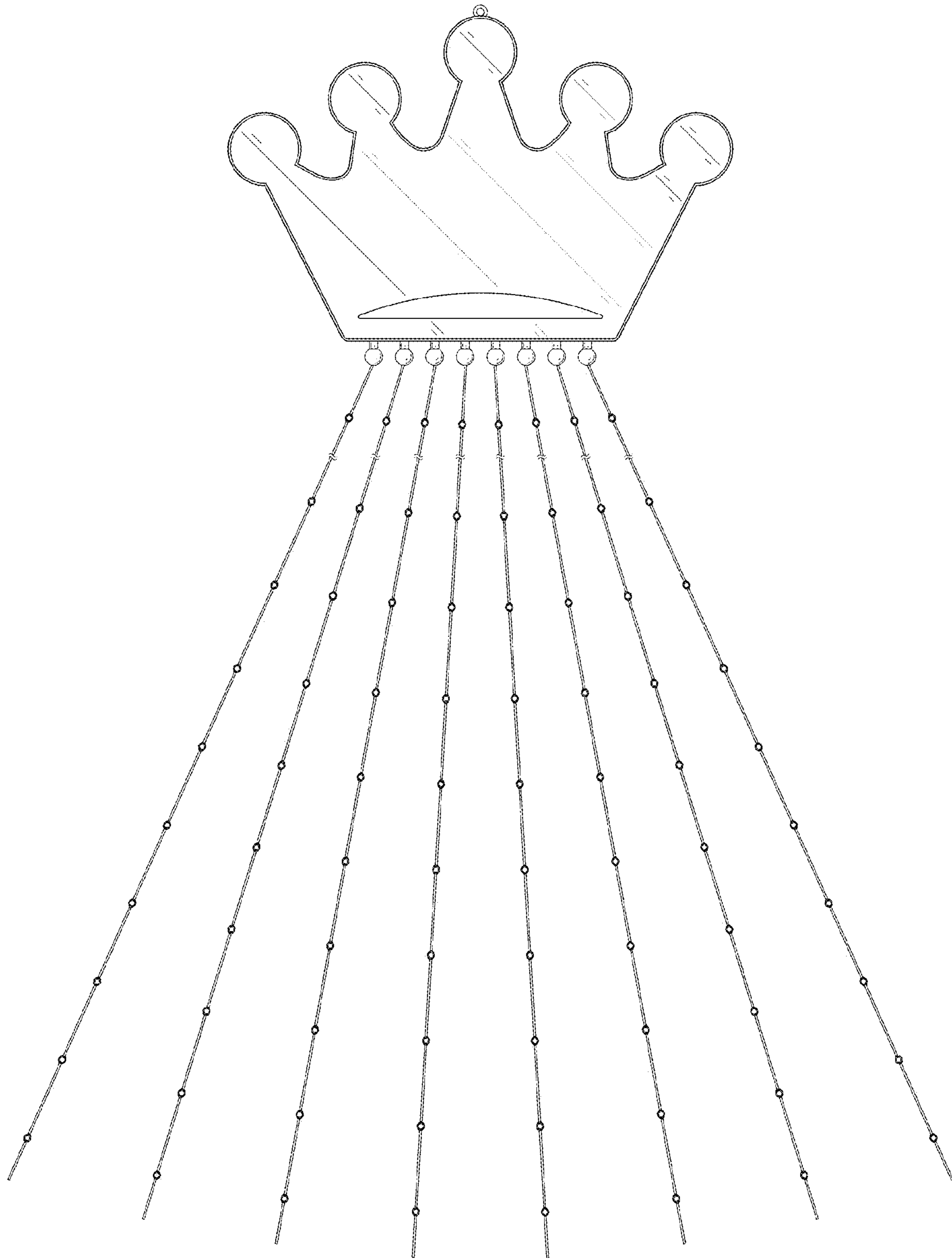


FIG. 3

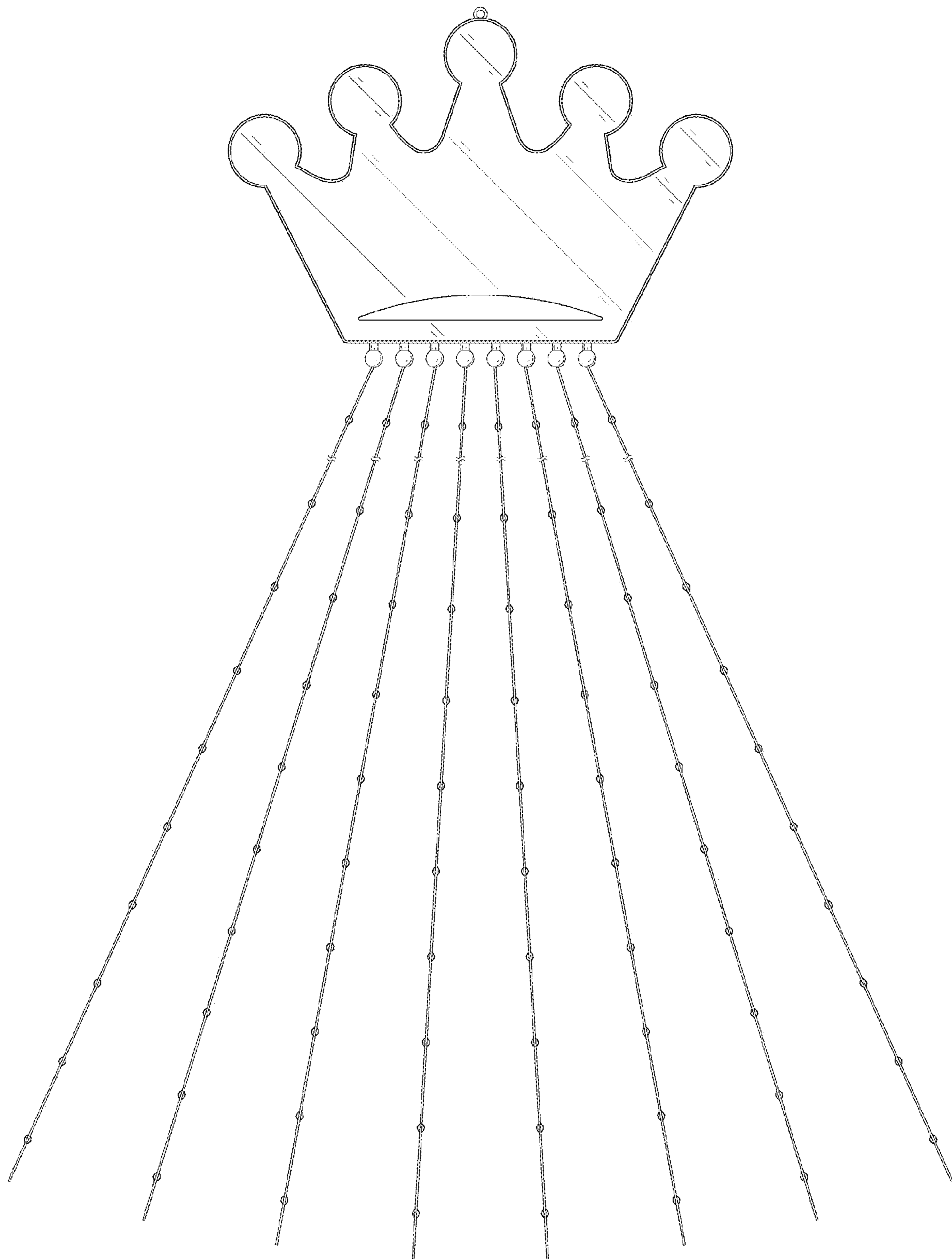


FIG. 4

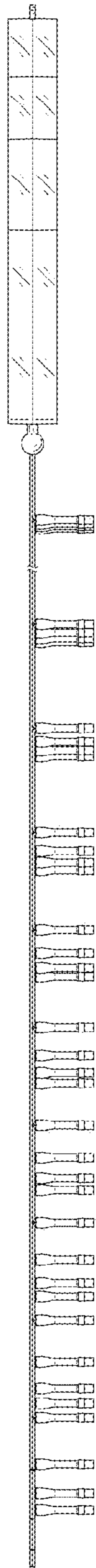


FIG. 5

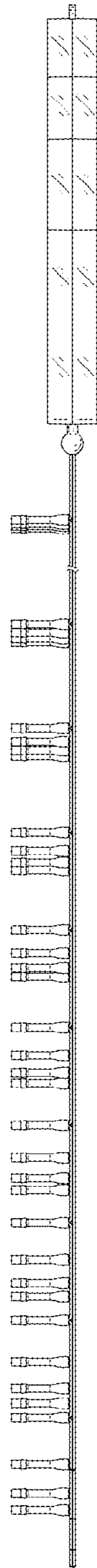


FIG. 6

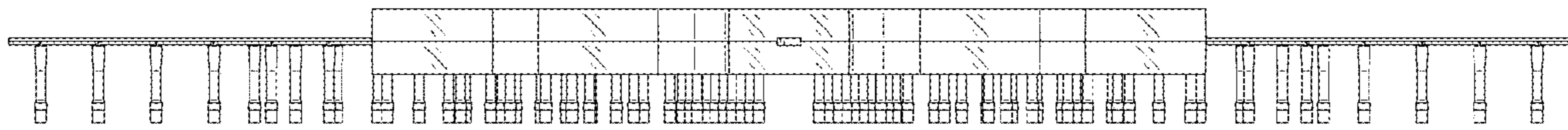


FIG. 7

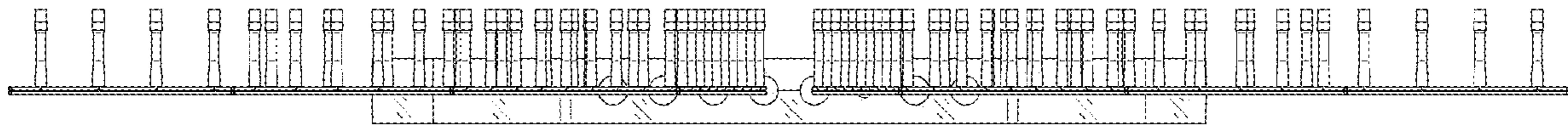


FIG. 8

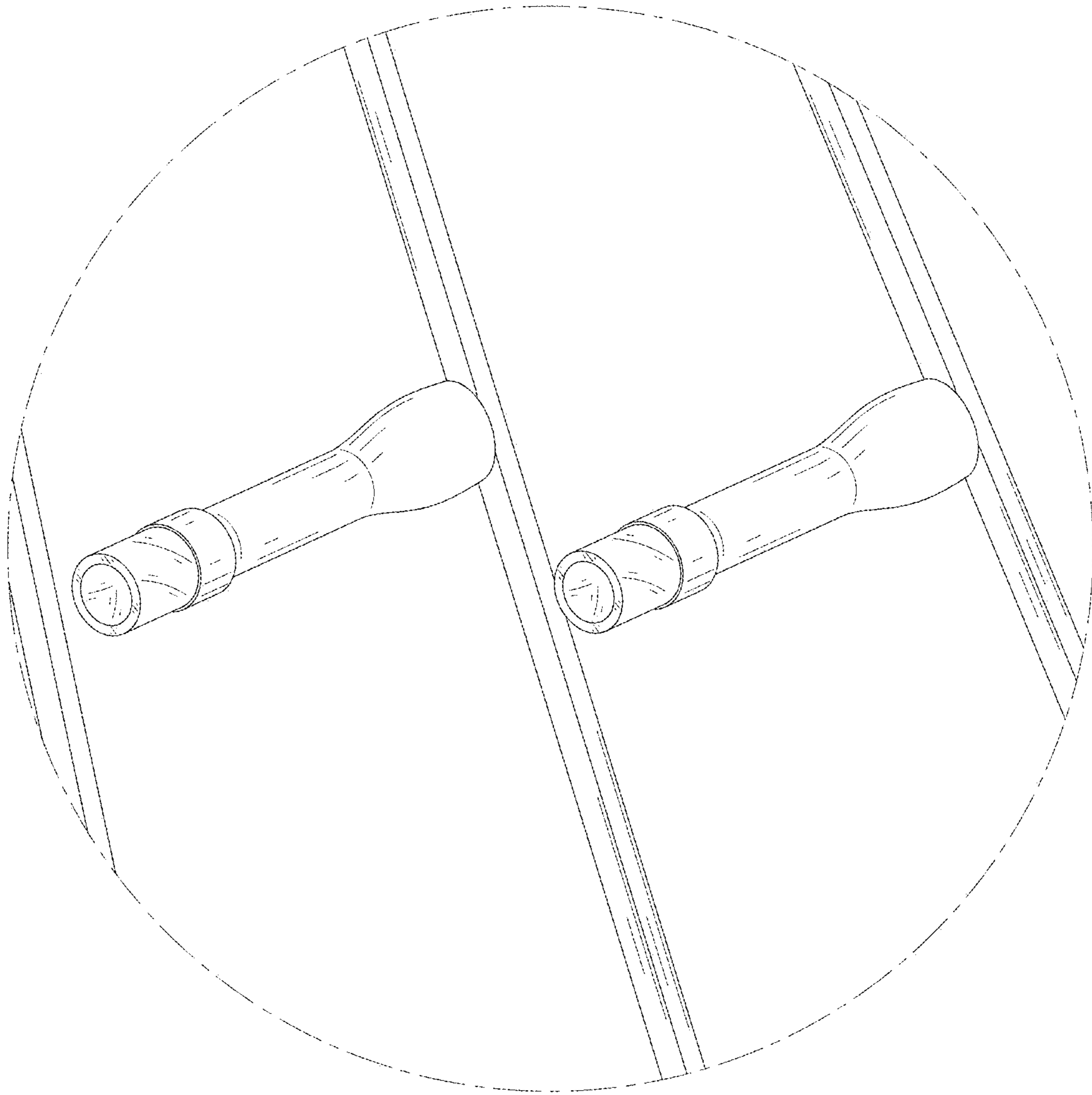


FIG. 9