



US00D957696S

(12) **United States Design Patent** (10) **Patent No.:** **US D957,696 S**
Yu (45) **Date of Patent:** **** Jul. 12, 2022**

(54) **LED LIGHT**

(71) Applicant: **Meigui Yu**, Linhai (CN)

(72) Inventor: **Meigui Yu**, Linhai (CN)

(**) Term: **15 Years**

(21) Appl. No.: **29/794,295**

(22) Filed: **Jun. 11, 2021**

(51) **LOC (13) Cl.** **26-04**

(52) **U.S. Cl.**
USPC **D26/25; D11/121**

(58) **Field of Classification Search**

USPC D26/2, 25, 27, 73, 125; D11/117, 119,
D11/122, 124, 125

CPC F21S 4/00; F21S 4/001; F21S 4/002; F21S
4/003; F21S 4/005; F21S 4/10; F21V
10/0005; F21W 2121/00; F21W
2121/004; F21W 2121/04

See application file for complete search history.

(56) **References Cited**

U.S. PATENT DOCUMENTS

D287,769 S *	1/1987	Davis	F21S 9/02 D11/119
D415,583 S *	10/1999	Byers	D11/124
6,027,228 A *	2/2000	Adams	F21V 21/0824 362/249.11
D459,009 S	6/2002	Chang et al.		
6,398,388 B1 *	6/2002	Lorenzana	F21S 4/20 362/240
6,652,927 B1 *	11/2003	Chen	F21S 4/10 428/9
D486,754 S *	2/2004	Shiratori	D11/118
D846,429 S *	4/2019	Khubani	D11/124
D874,881 S *	2/2020	Mastronardi	D7/628
D899,965 S *	10/2020	Zhou	F21V 21/0824 D26/25
D906,162 S *	12/2020	Zhou	F21S 4/20 D11/118

(Continued)

FOREIGN PATENT DOCUMENTS

EM 008268841-0003 * 11/2020
GB 9008268841-0003 * 11/2020

OTHER PUBLICATIONS

Muyun Waterfall Christmas String Lights, Nov. 20, 2020, Amazon.com, site visited Mar. 7, 2022, url: (Year: 2020).*

(Continued)

Primary Examiner — T Chase Nelson

Assistant Examiner — Rachel Wolfe

(57) **CLAIM**

The ornamental design for an LED light, as shown and described.

DESCRIPTION

FIG. 1 is a perspective view of an LED light showing my new design;

FIG. 2 is another perspective view thereof;

FIG. 3 is a front elevational view thereof;

FIG. 4 is a rear elevational view thereof;

FIG. 5 is a left side elevational view thereof;

FIG. 6 is a right side elevational view thereof;

FIG. 7 is a top plan view thereof;

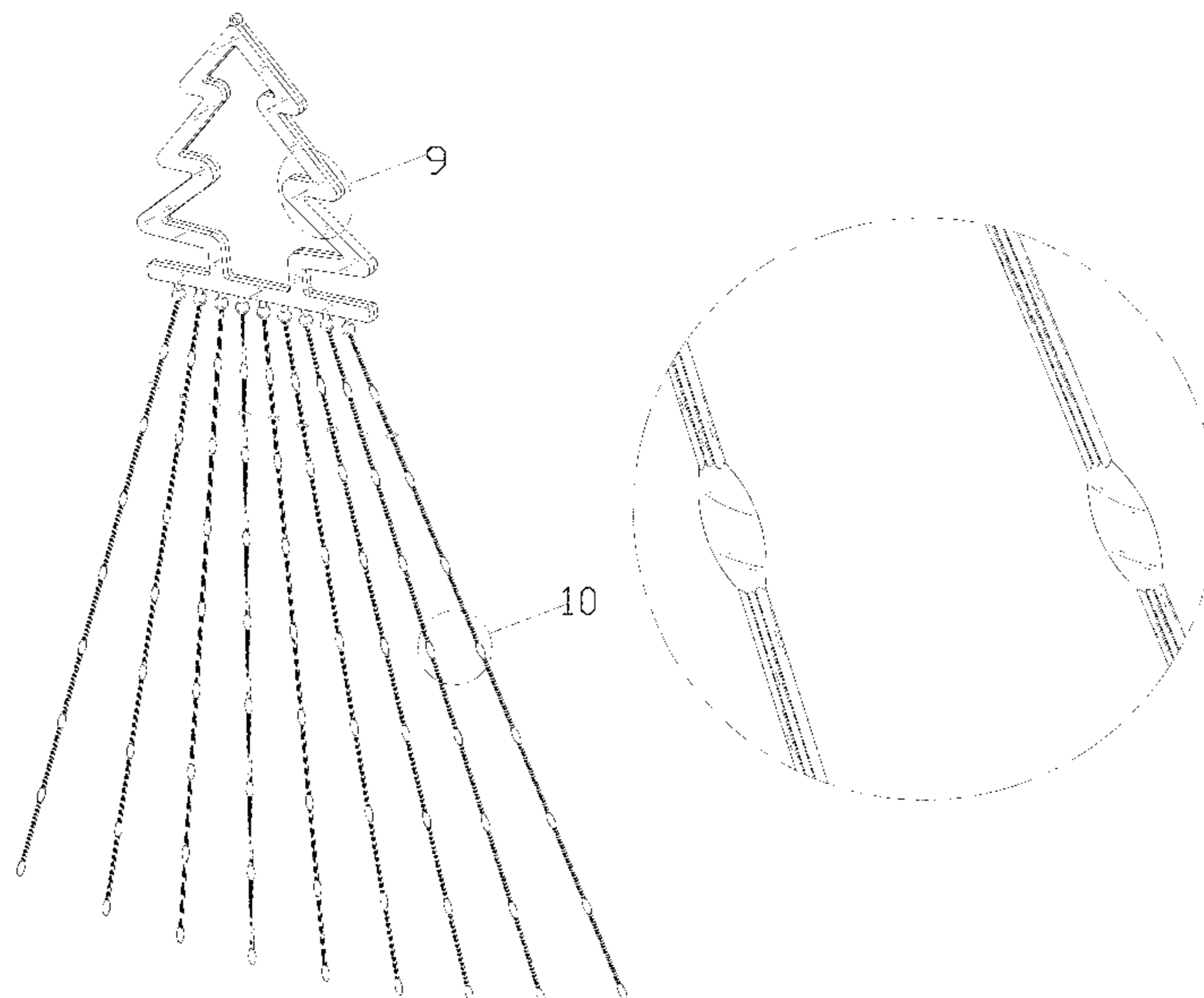
FIG. 8 is a bottom plan view thereof;

FIG. 9 is an enlarged view of portion 9 shown in FIG. 1; and,

FIG. 10 is an enlarged view of portion 10 shown in FIG. 1.

The LED light is shown with symbolic breaks in its length, and the appearance of any portion of the LED light between the break lines forms no part of the claimed design. The broken lines of alternating length are for the purpose of illustrating the boundaries of the enlarged fragments shown in FIGS. 9 and 10 and form no part of the claimed design.

1 Claim, 10 Drawing Sheets



(56)

References Cited

U.S. PATENT DOCUMENTS

D910,889 S * 2/2021 Zhou F21S 4/10
 D26/25
 D915,642 S * 4/2021 Anderson D26/25
 D917,083 S * 4/2021 Zhou F21V 23/008
 D26/25
 D917,084 S * 4/2021 Zhou F21S 4/10
 D26/25
 D918,441 S 5/2021 Liu
 D921,936 S * 6/2021 Zhou D26/25
 D925,077 S * 7/2021 Yang D26/25
 D925,783 S * 7/2021 Xiao F21S 4/10
 D26/25
 D935,681 S * 11/2021 Gong D26/81
 D938,627 S * 12/2021 Li F21V 33/0028
 D26/25
 D940,359 S * 1/2022 Yang D26/25
 2002/0176252 A1 * 11/2002 Pan F21S 4/10
 362/249.01

2006/0227549 A1* 10/2006 Cheng F21S 4/10
 362/249.19
 2008/0253116 A1* 10/2008 Liao F21S 4/28
 362/235
 2013/0335963 A1* 12/2013 Chen F21V 33/0028
 362/235
 2016/0178172 A1* 6/2016 Boyink F21V 23/008
 362/249.06
 2019/0003667 A1* 1/2019 Marasco F21S 9/02

OTHER PUBLICATIONS

Colorina 72ft 200 Led Solar String Lights Waterproof Solar, Jun. 8, 2021, Amazon.com, site visited Feb. 11, 2022, url: <https://www.amazon.com/dp/B096TW51HZ> (Jun. 2021).*
 Puhong Christmas Decorations, Sep. 30, 2021, Amazon.ca, site visited Mar. 10, 2022, url: (Year: 2021).*

* cited by examiner

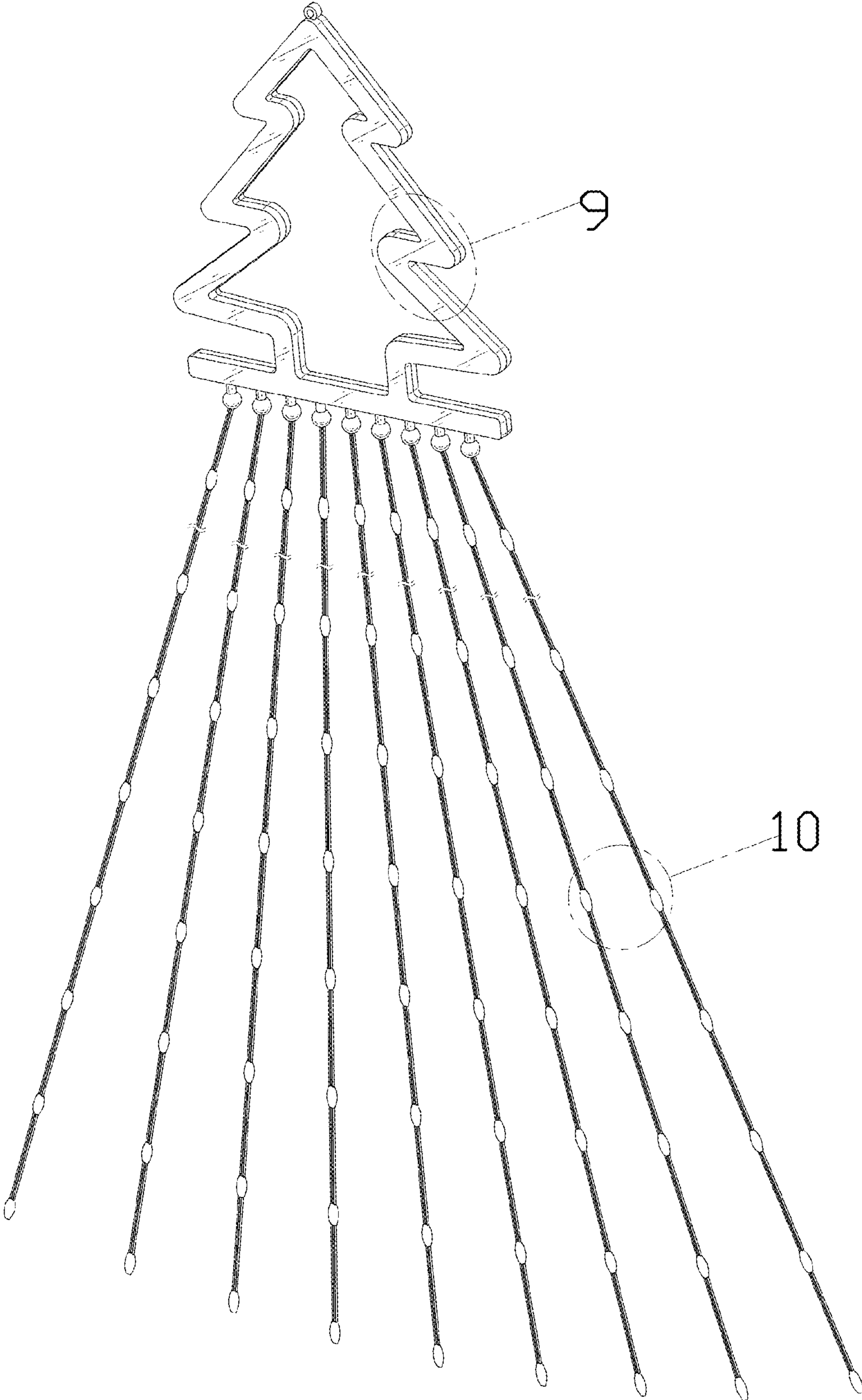


FIG. 1

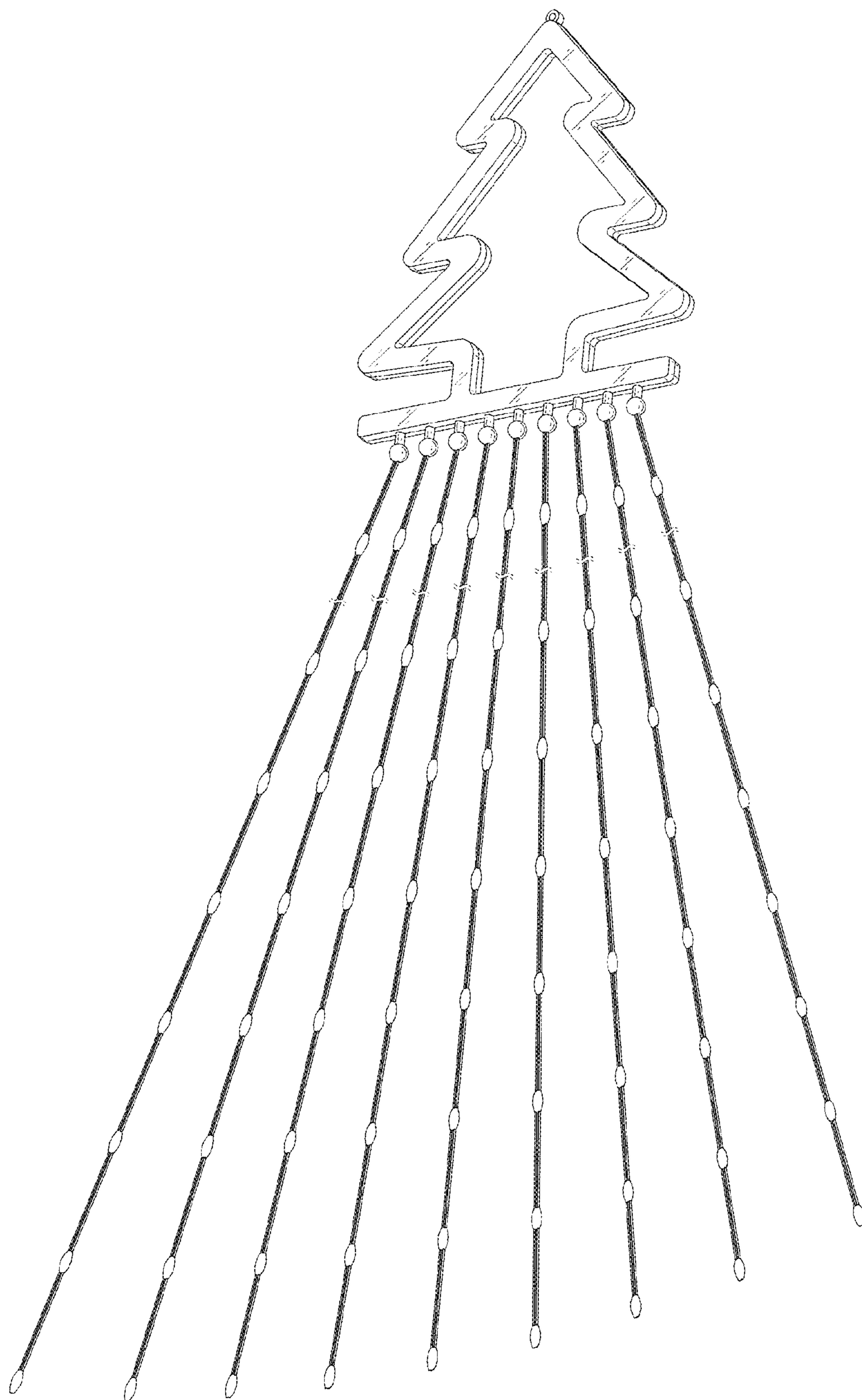


FIG. 2

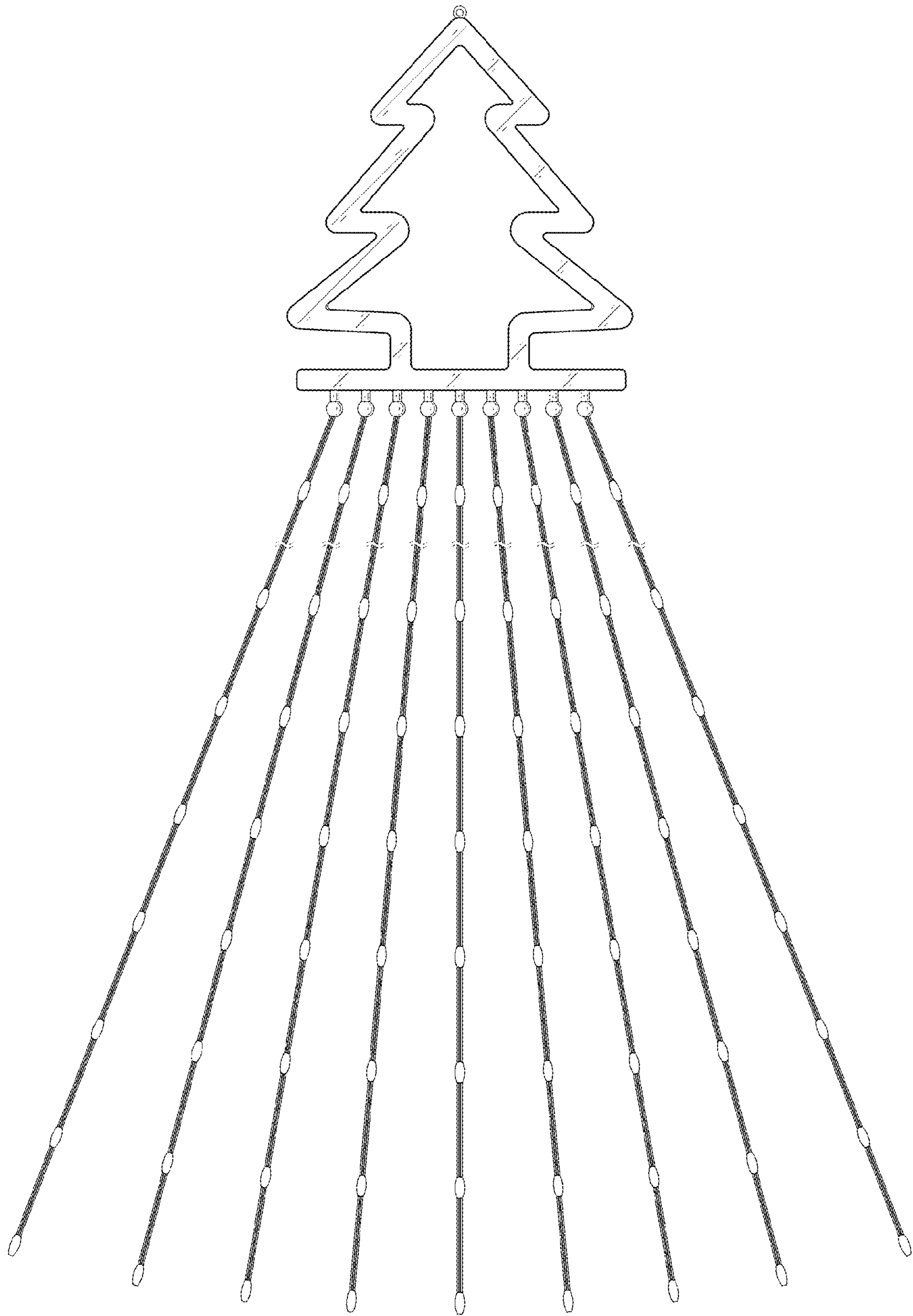


FIG. 3

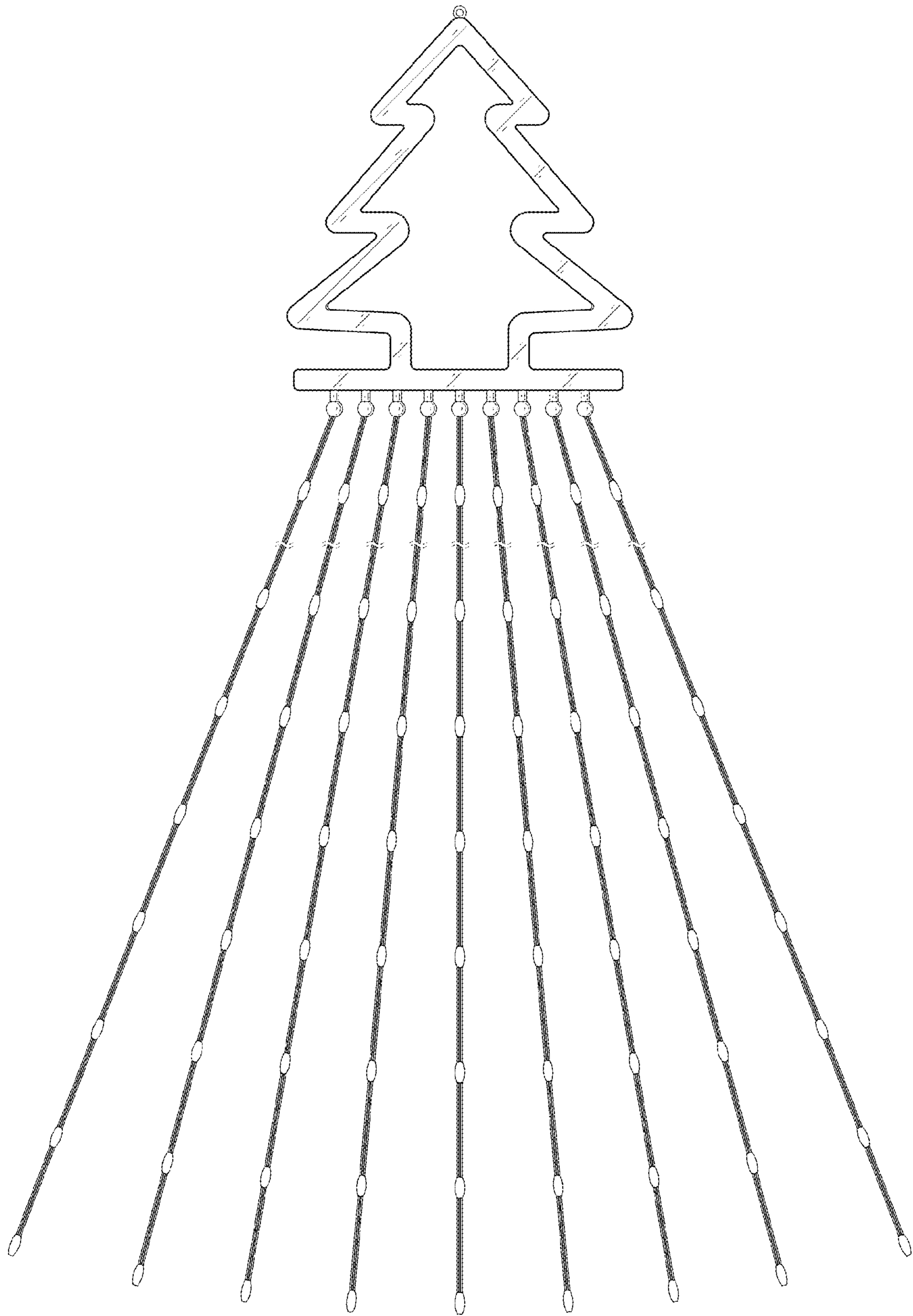


FIG. 4



FIG. 5

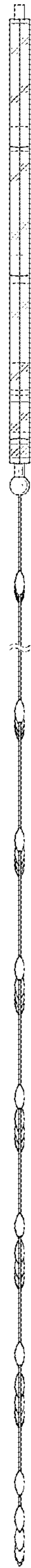


FIG. 6



FIG. 7



FIG. 8

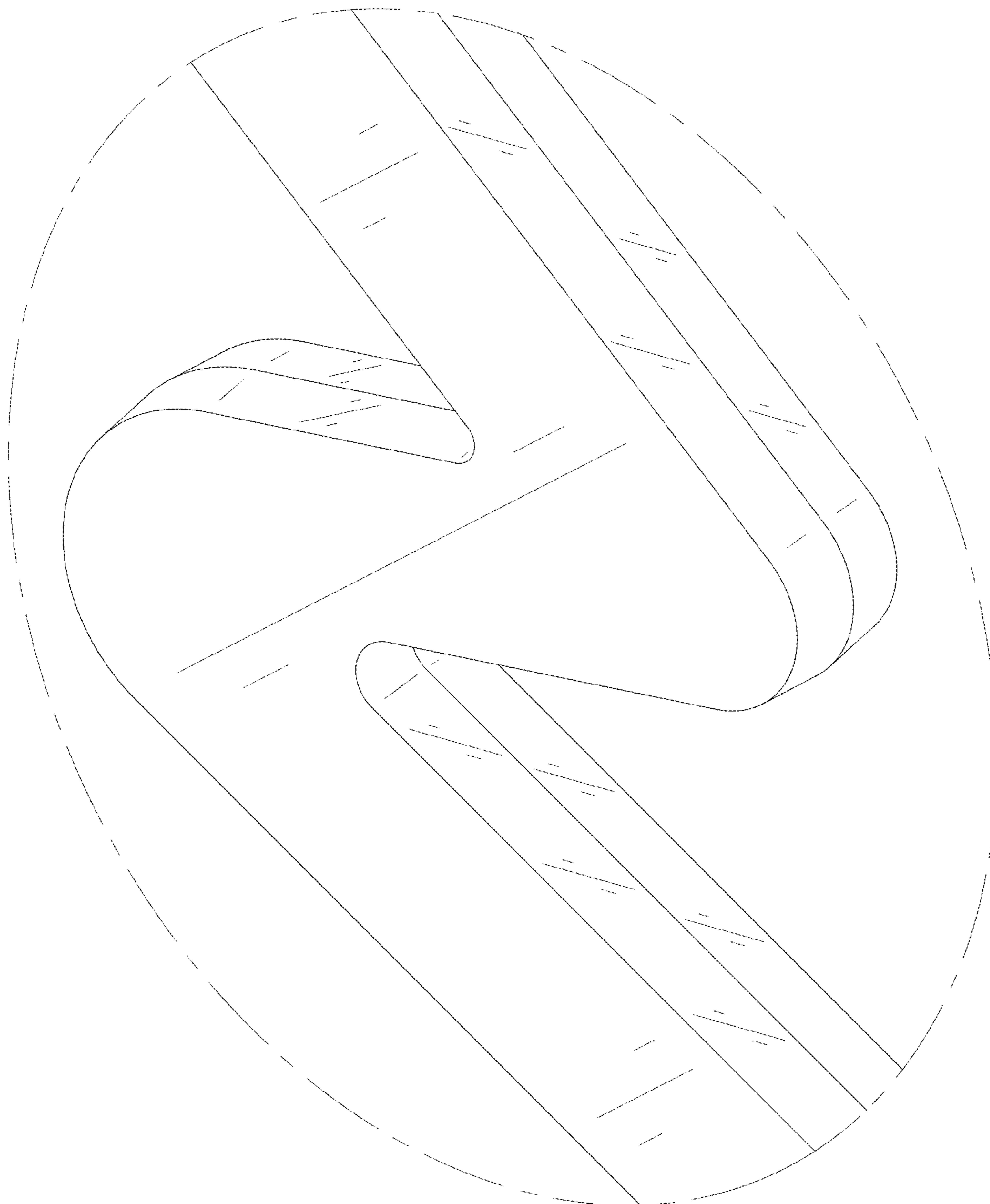


FIG. 9

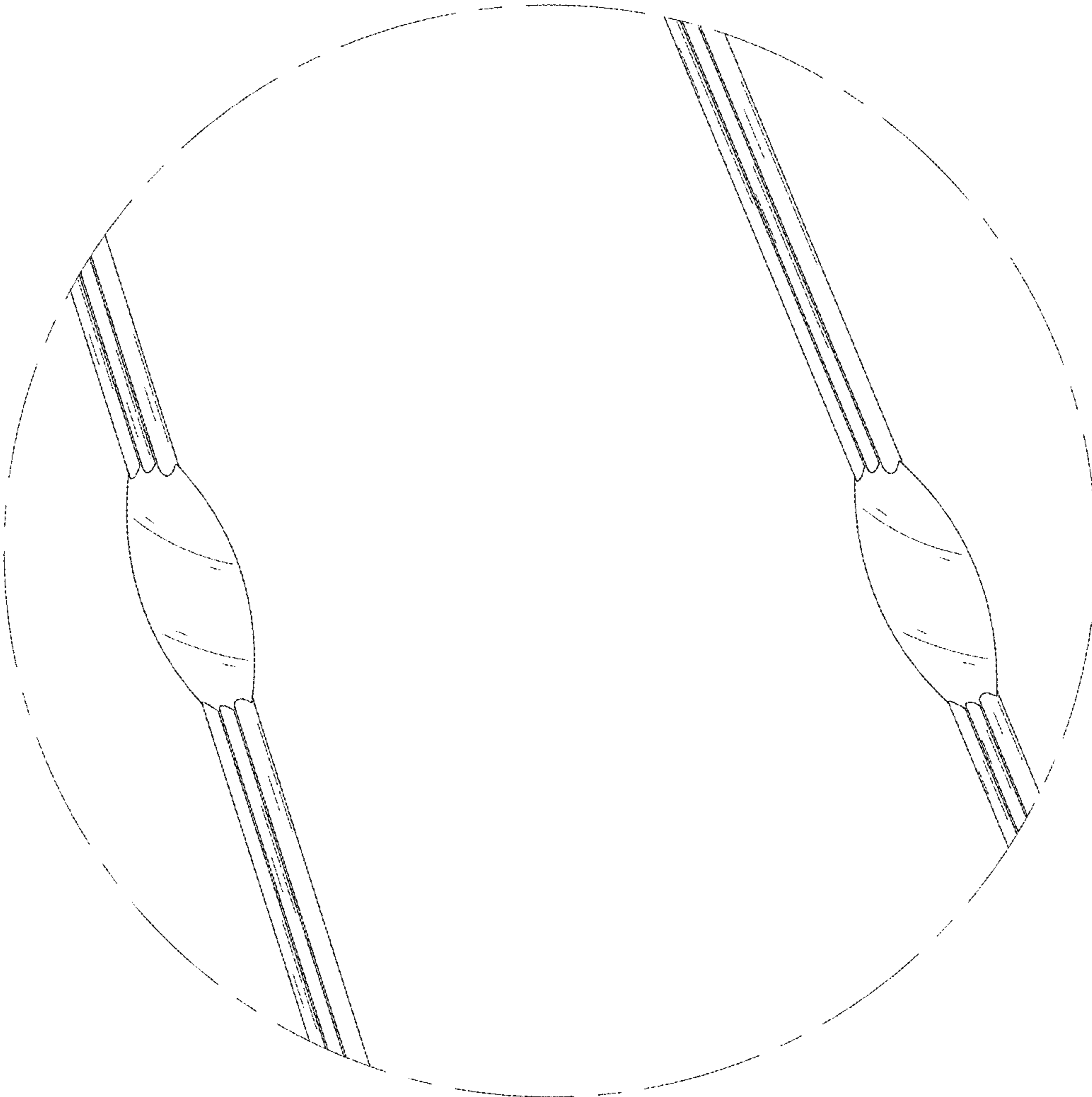


FIG. 10