



US00D957694S

(12) **United States Design Patent**  
**Polston**

(10) **Patent No.:** **US D957,694 S**

(45) **Date of Patent:** **\*\* Jul. 12, 2022**

- (54) **DRIP EDGE ROOF FLASHING**
- (71) Applicant: **Ross Building Products, LLC.**, New Braunfels, TX (US)
- (72) Inventor: **Scott Ross Polston**, New Braunfels, TX (US)
- (73) Assignee: **Ross Building Products LLC**, New Braunfels, TX (US)
- (\*\*) Term: **15 Years**
- (21) Appl. No.: **29/746,852**
- (22) Filed: **Aug. 18, 2020**

D765,492 S *	9/2016	Akers	.....	D8/354
D783,181 S *	4/2017	Coulston	.....	D25/126
D809,680 S *	2/2018	Hansen	.....	B32B 3/02
				D25/199
D814,056 S *	3/2018	Singh	.....	D25/119
D814,057 S *	3/2018	Singh	.....	D25/119
D829,928 S *	10/2018	Dye	.....	D25/48.2
D831,031 S *	10/2018	Burch, V	.....	D14/453
D882,125 S *	4/2020	Divito	.....	D25/199
D889,247 S *	7/2020	Baltz, Jr.	.....	E04B 1/7076
				D25/199
D898,956 S *	10/2020	Folkersen	.....	D25/199
D906,552 S *	12/2020	McEndree	.....	D25/199
D930,936 S *	9/2021	Beiler	.....	D34/28
D936,241 S *	11/2021	Rus	.....	D25/69
2004/0093806 A1 *	5/2004	Mares	.....	E04D 13/1415
				52/62

**Related U.S. Application Data**

- (63) Continuation of application No. 16/453,624, filed on Jun. 26, 2019, now abandoned.
- (51) **LOC (13) Cl.** ..... **25-01**
- (52) **U.S. Cl.**  
USPC ..... **D25/199**
- (58) **Field of Classification Search**  
USPC ..... D25/48.2, 55, 60, 119, 125, 136, 138, D25/164, 199  
CPC ..... E04D 13/0459; E04D 13/158; E04D 2013/0468; E06B 1/62; E06B 2001/628  
See application file for complete search history.

(56) **References Cited**

**U.S. PATENT DOCUMENTS**

3,243,926 A *	4/1966	Keyt	.....	E04D 13/15
				52/287.1
D400,986 S *	11/1998	Kanta	.....	D25/199
D460,197 S *	7/2002	Stringer	.....	D25/48.8
6,786,011 B2 *	9/2004	Mares	.....	E04D 13/1478
				52/60
D618,825 S *	6/2010	Johnson	.....	D25/164
D700,717 S *	3/2014	Campacci	.....	D25/119

**FOREIGN PATENT DOCUMENTS**

CN 305922958 \* 7/2020

**OTHER PUBLICATIONS**

BMP Commercial Drip Edge <http://www.bmp-group.com/products/roofing-products/commercial-drip-edge> Jul. 2019 (Year: 2019).\*  
(Continued)

*Primary Examiner* — Leanne Was-Englehart  
(74) *Attorney, Agent, or Firm* — Eric Karich; Karich & Associates

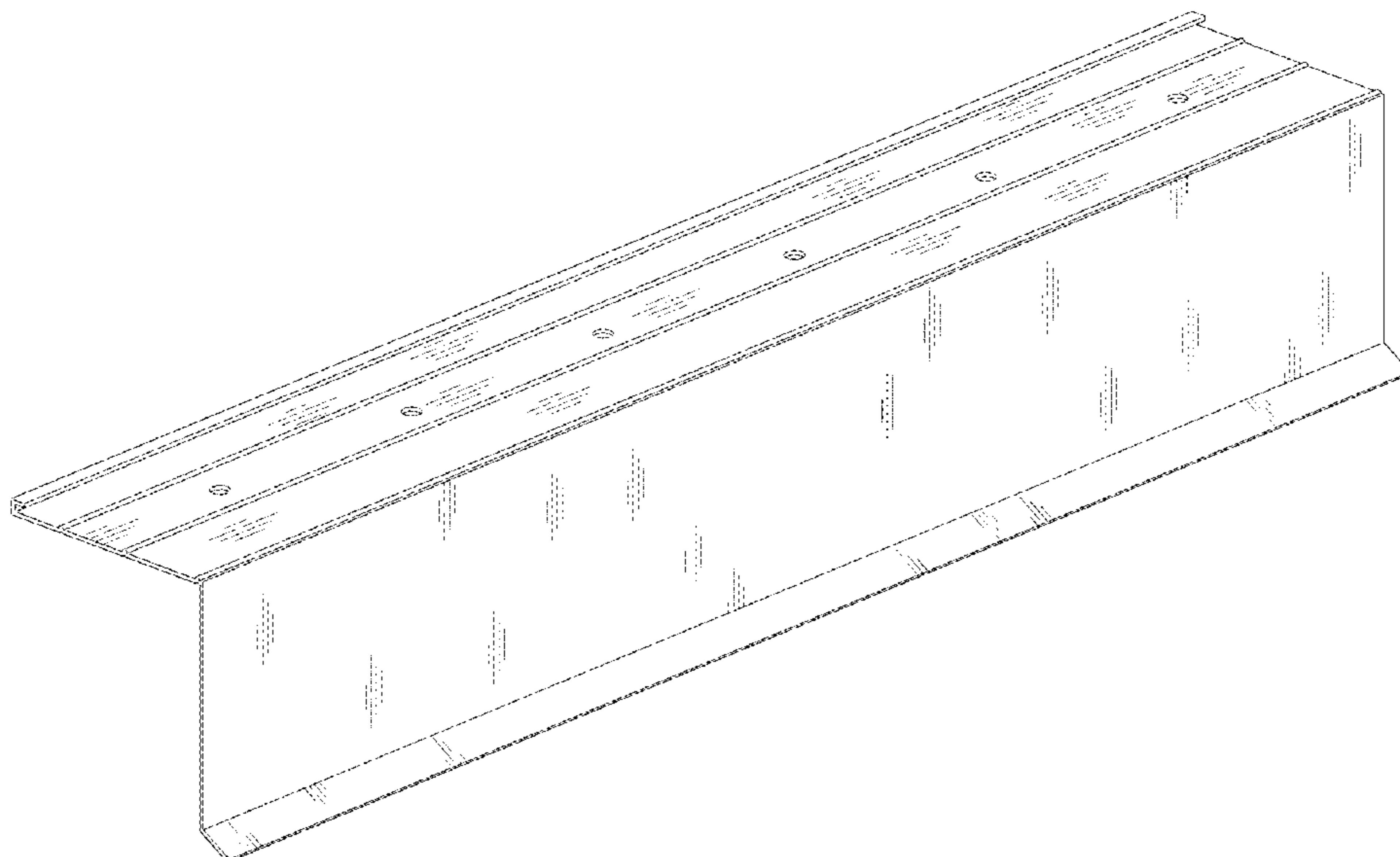
(57) **CLAIM**

The ornamental design for a drip edge roof flashing, as shown and described.

**DESCRIPTION**

FIG. 1 is a perspective view of a drip edge roof flashing, showing my new design; and, FIG. 2 is an elevational side view thereof.

**1 Claim, 2 Drawing Sheets**



(56)

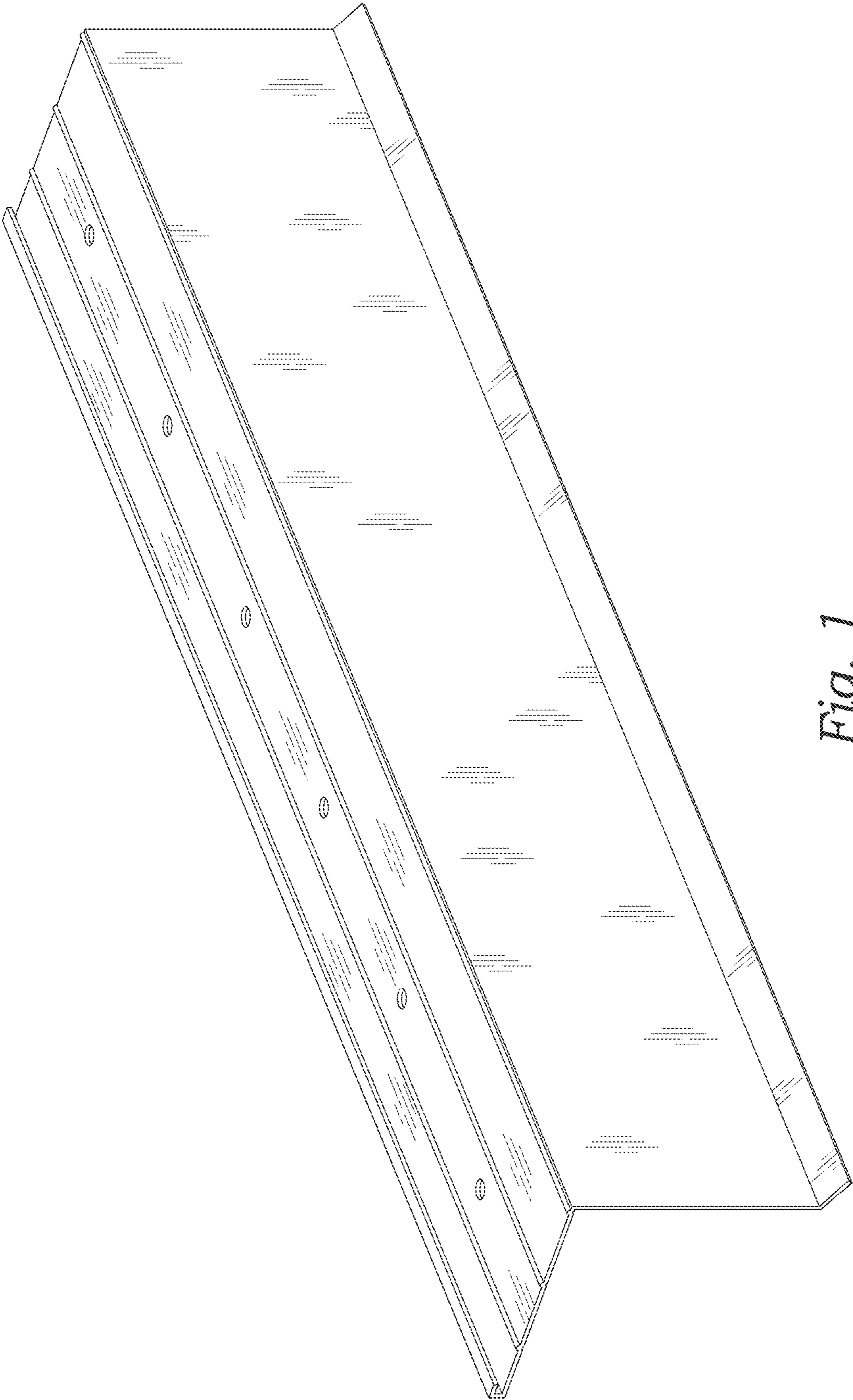
**References Cited**

OTHER PUBLICATIONS

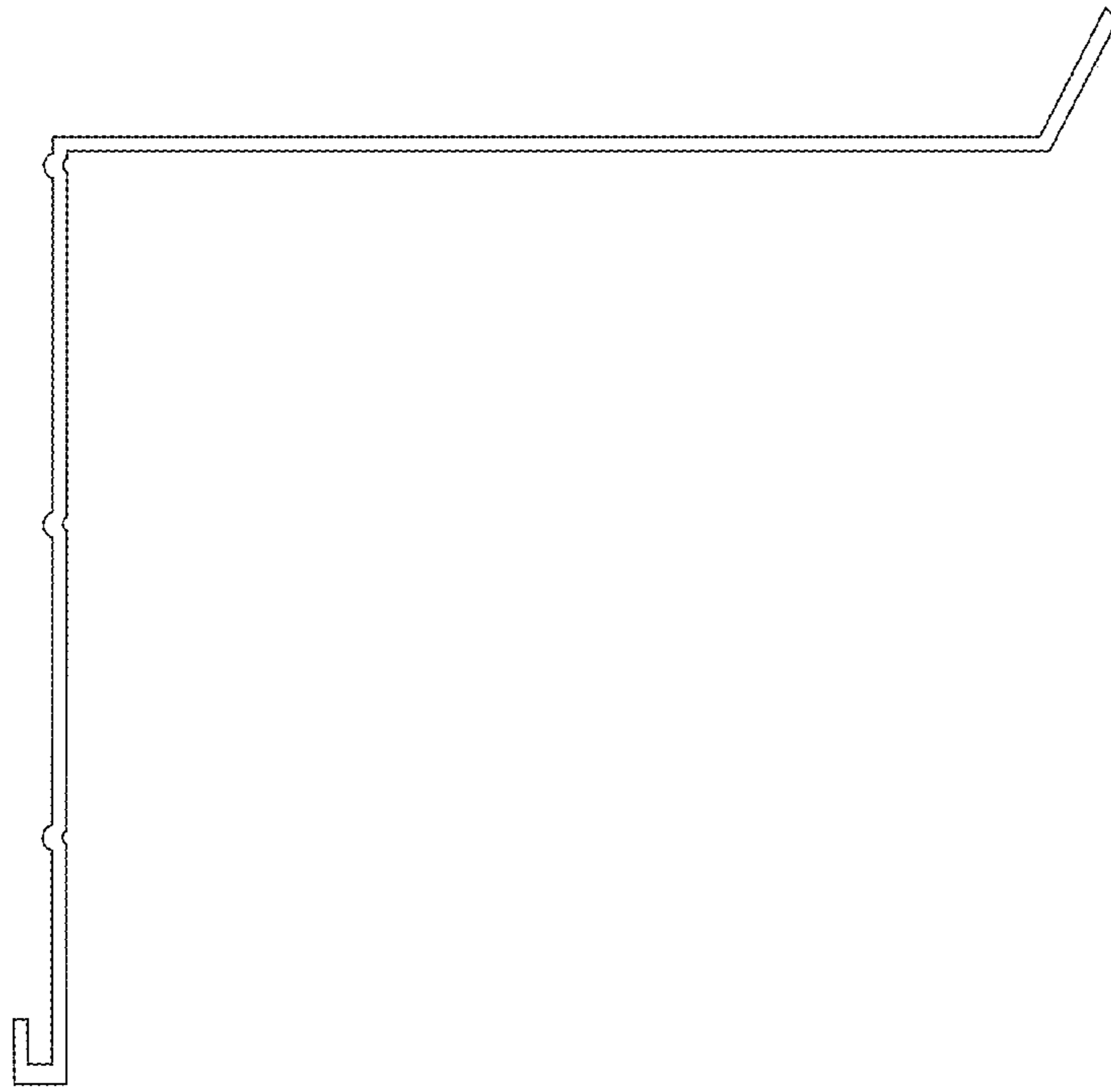
Deck Coatings Drip Edge Flashing Deck Waterproofing Decking  
<https://www.prestigedecking.com/deck-coatings-drip-edge-flashing/>  
Nov. 2012 (Year: 2012).\*

RossBP-Vinyl-Drip-Edge-2019 <https://www.rossmfg.com/wp-content/uploads/RossBP-Vinyl-Drip-Edge-2019.pdf> Mar. 17, 2019 (Year: 2019).\*

\* cited by examiner



*Fig. 1*



*Fig. 2*